



US00D474037S

(12) **United States Design Patent**
Shih

(10) **Patent No.:** **US D474,037 S**

(45) **Date of Patent:** **** May 6, 2003**

(54) **MOTION PICTURE FRAME**

5,313,724 A * 5/1994 Warner 40/714

(76) Inventor: **Shan Wei Shih**, 19722 Calle Estito,
Walut, CA (US) 91789

* cited by examiner

(**) Term: **14 Years**

Primary Examiner—Janice E. Seeger
(74) *Attorney, Agent, or Firm*—Raymond Y. Chan; David
and Raymond Patent Group

(21) Appl. No.: **29/159,735**

(57) **CLAIM**

(22) Filed: **Apr. 29, 2002**

The ornamental design for a motion picture frame, as shown.

(51) **LOC (7) Cl.** **06-07**

DESCRIPTION

(52) **U.S. Cl.** **D6/308**

(58) **Field of Search** D6/300–303, 308–314;
40/700, 711, 714, 715, 720, 721, 735, 737–739,
790, 798, 800, 472

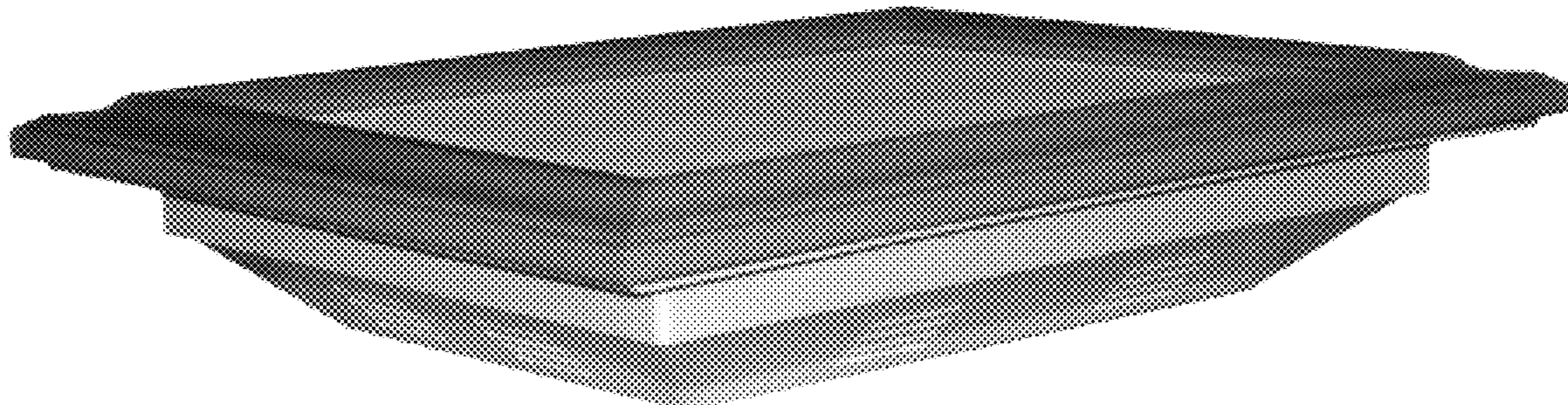
FIG. 1 is a perspective view showing my new design.
FIG. 2 is a front view thereof.
FIG. 3 is a rear view thereof.
FIG. 4 is a right end view thereof.
FIG. 5 is a left end view thereof.
FIG. 6 is a top view thereof; and,
FIG. 7 is a bottom view thereof.

(56) **References Cited**

U.S. PATENT DOCUMENTS

2,170,377 A * 8/1939 Nisle 40/714
D173,729 S * 12/1954 Helms D6/303

1 Claim, 7 Drawing Sheets



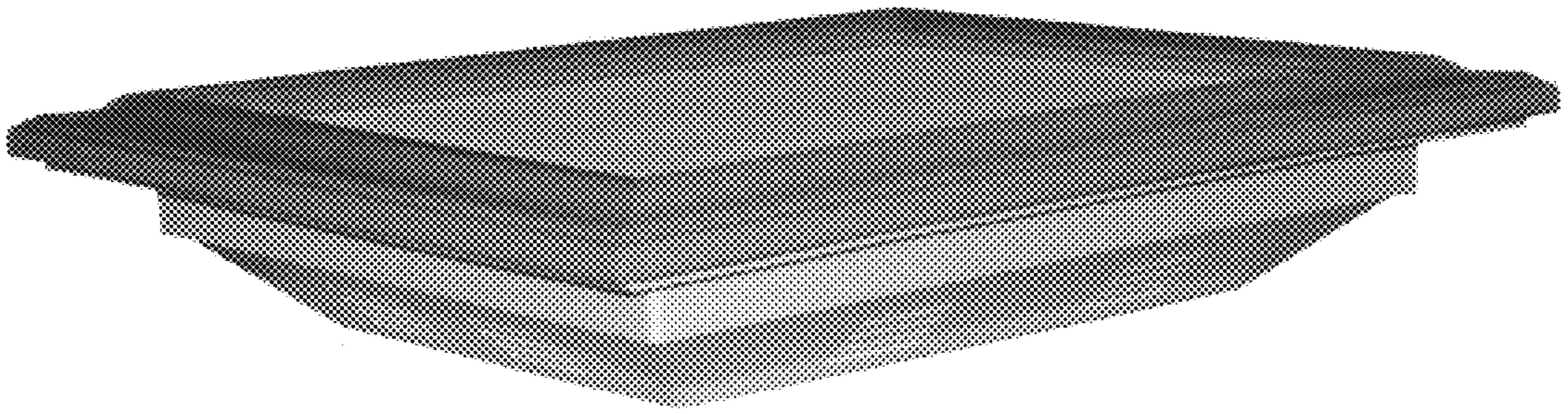


FIG. 1

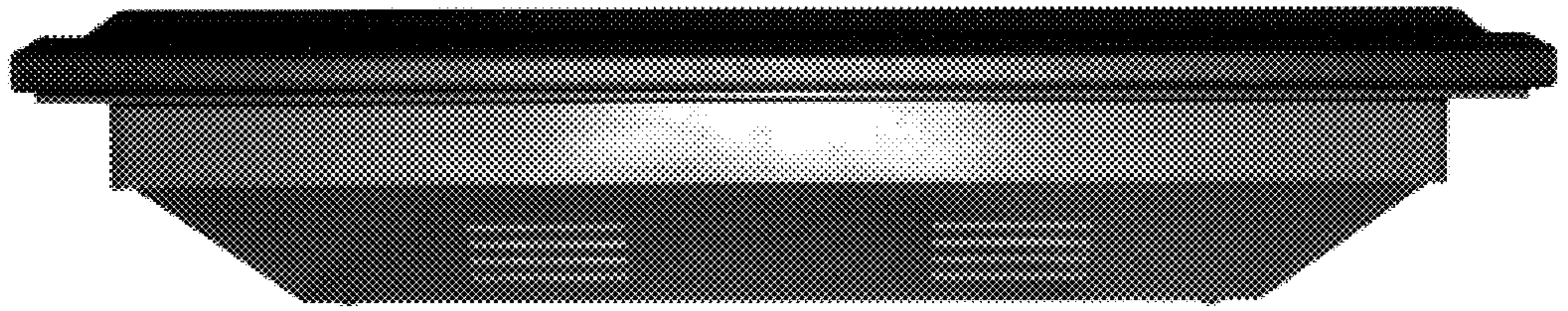


FIG. 2

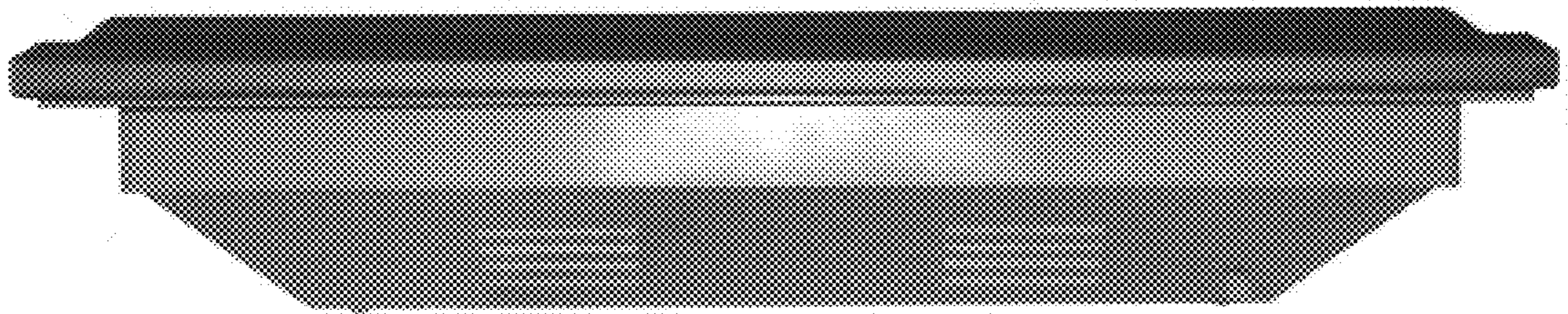


FIG. 3

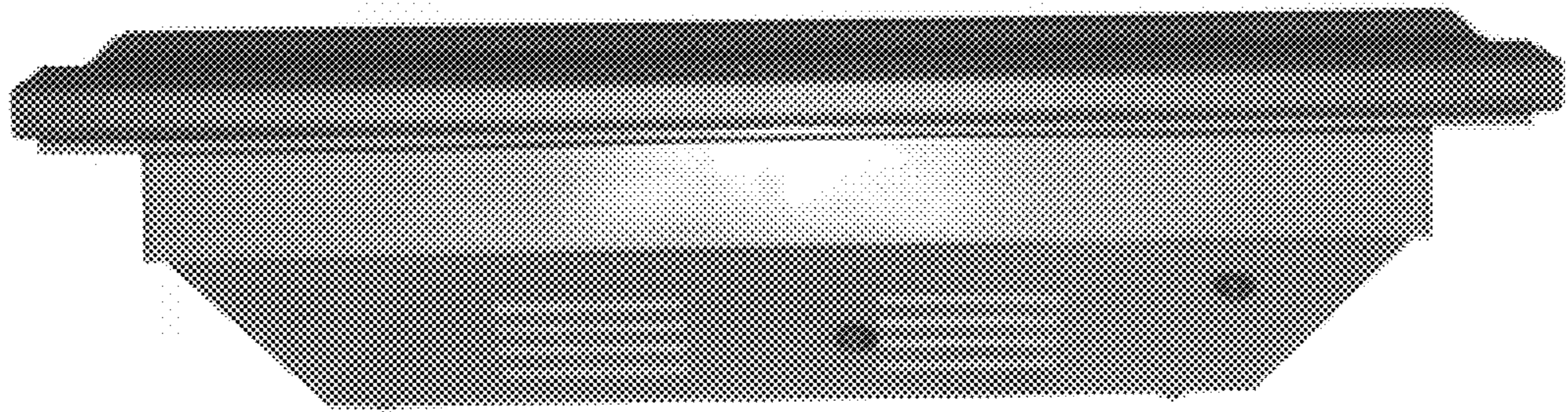


FIG. 4

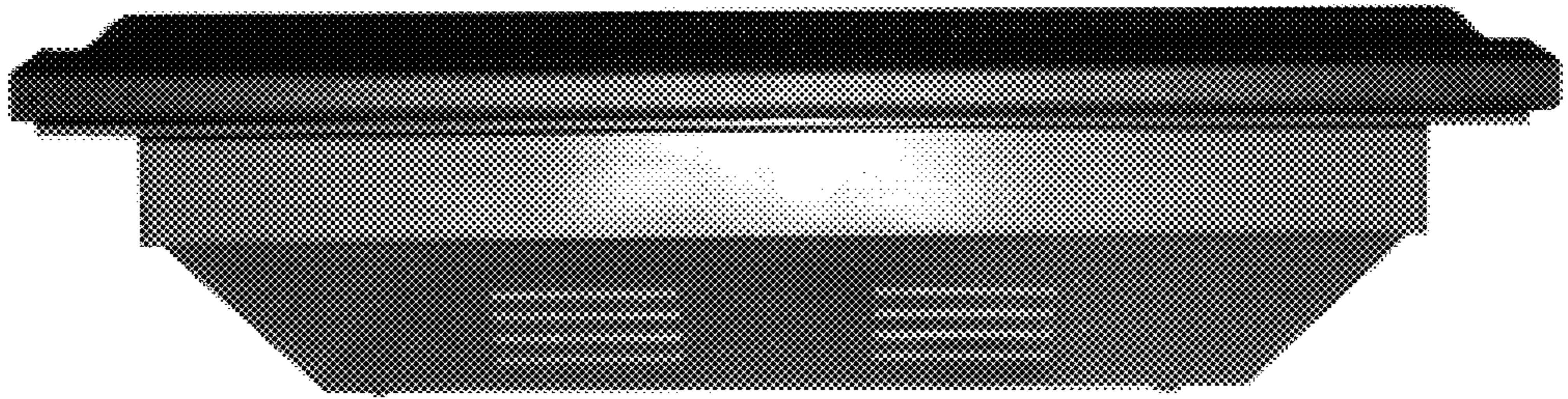


FIG. 5

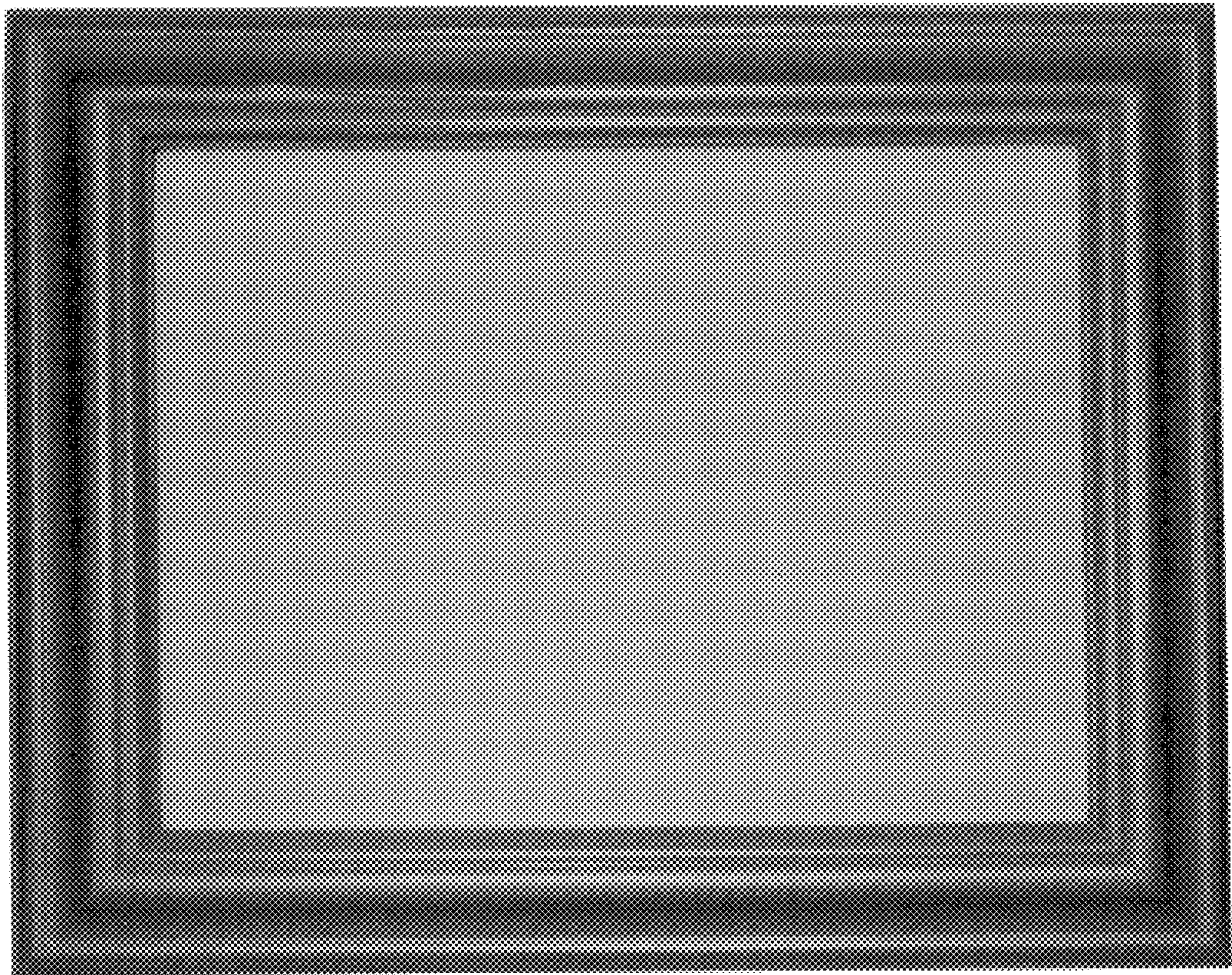


FIG. 6

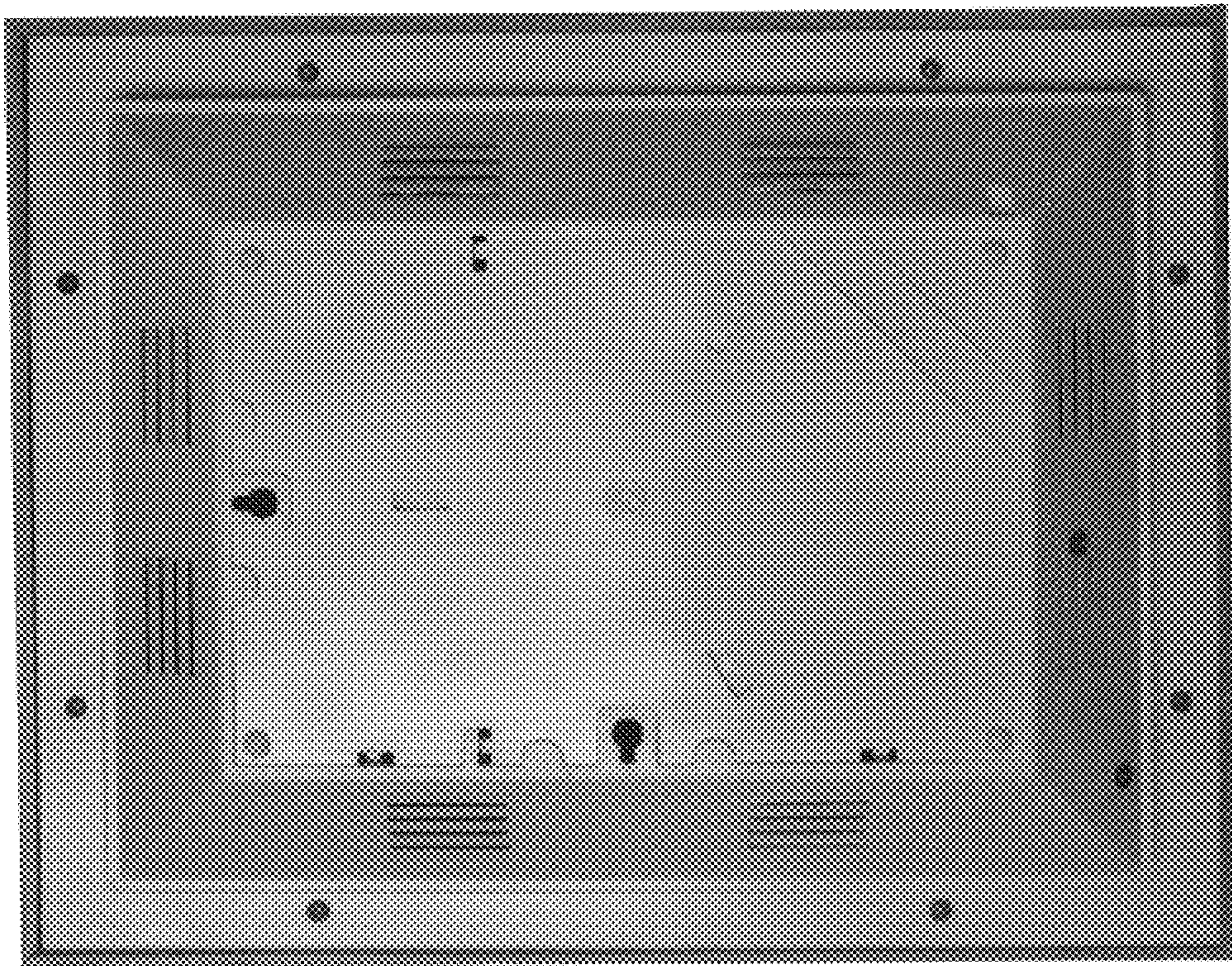


FIG. 7