



US00D474034S

(12) **United States Design Patent**  
**Mc Currach et al.**

(10) **Patent No.:** **US D474,034 S**

(45) **Date of Patent:** **\*\* May 6, 2003**

(54) **TRAVEL CASE FOR TOOTHBRUSH**

(75) Inventors: **Jamie Mc Currach**, Groningen (NL);  
**Friedrich Stoeffler**, Kirkland, WA (US)

(73) Assignee: **Koninklijke Philips Electronics, N.V.**,  
Eindhoven (NL)

(\*\*) Term: **14 Years**

(21) Appl. No.: **29/159,935**

(22) Filed: **Apr. 30, 2002**

(51) **LOC (7) Cl.** ..... **04-99**

(52) **U.S. Cl.** ..... **D4/199**

(58) **Field of Search** ..... D4/101, 108, 199;  
15/167.1, 176.1, 105, 106, 143.1, 167.2,  
176.2-176.6, 186, 207.2; 206/362.2; D3/205,  
255, 290, 275, 273

(56) **References Cited**

**U.S. PATENT DOCUMENTS**

D197,636 S \* 3/1964 Frost ..... D4/199  
D227,200 S \* 6/1973 DeVarco ..... D4/199  
D298,487 S \* 11/1988 Johnson ..... D4/108

D310,914 S \* 10/1990 Ambasz ..... D4/108

D326,189 S \* 5/1992 Brooks ..... D4/108

D362,341 S \* 9/1995 Sprague ..... D4/108

D412,247 S \* 7/1999 Adkins ..... D4/199

D454,695 S \* 3/2002 Greene ..... D4/108

\* cited by examiner

*Primary Examiner*—Holly Baynham

(74) *Attorney, Agent, or Firm*—Ernestine C. Bartlett

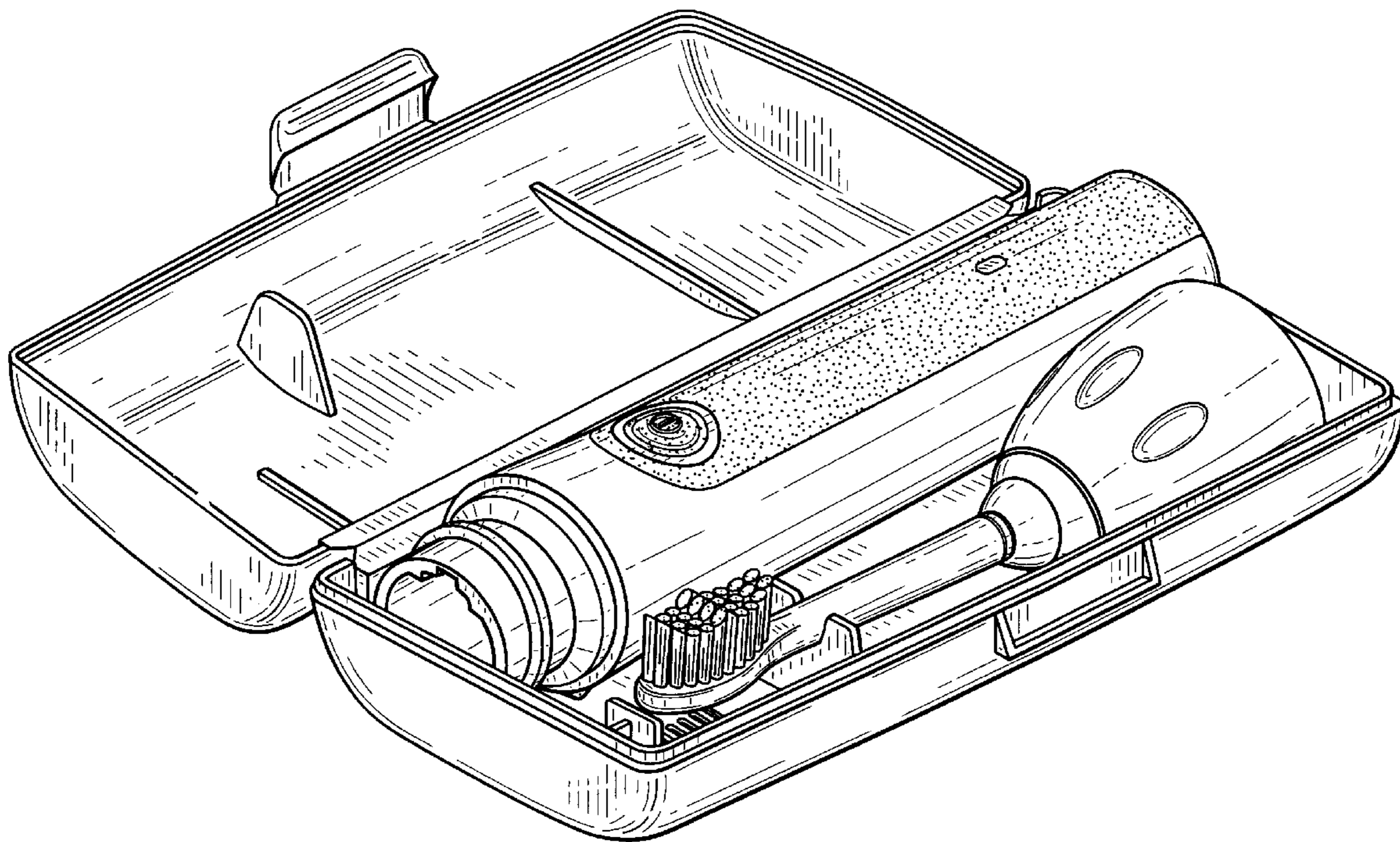
(57) **CLAIM**

The ornamental design for a travel case for toothbrush, as shown.

**DESCRIPTION**

FIG. 1 is a perspective view of a first embodiment with travel case open showing our design;  
FIG. 2 is a front view thereof;  
FIG. 3 is a rear view thereof;  
FIG. 4 is a left side view thereof;  
FIG. 5 is a right view thereof;  
FIG. 6 is a top view thereof;  
FIG. 7 is a bottom view thereof; and,  
FIG. 8 is a perspective view with travel case closed thereof.

**1 Claim, 6 Drawing Sheets**



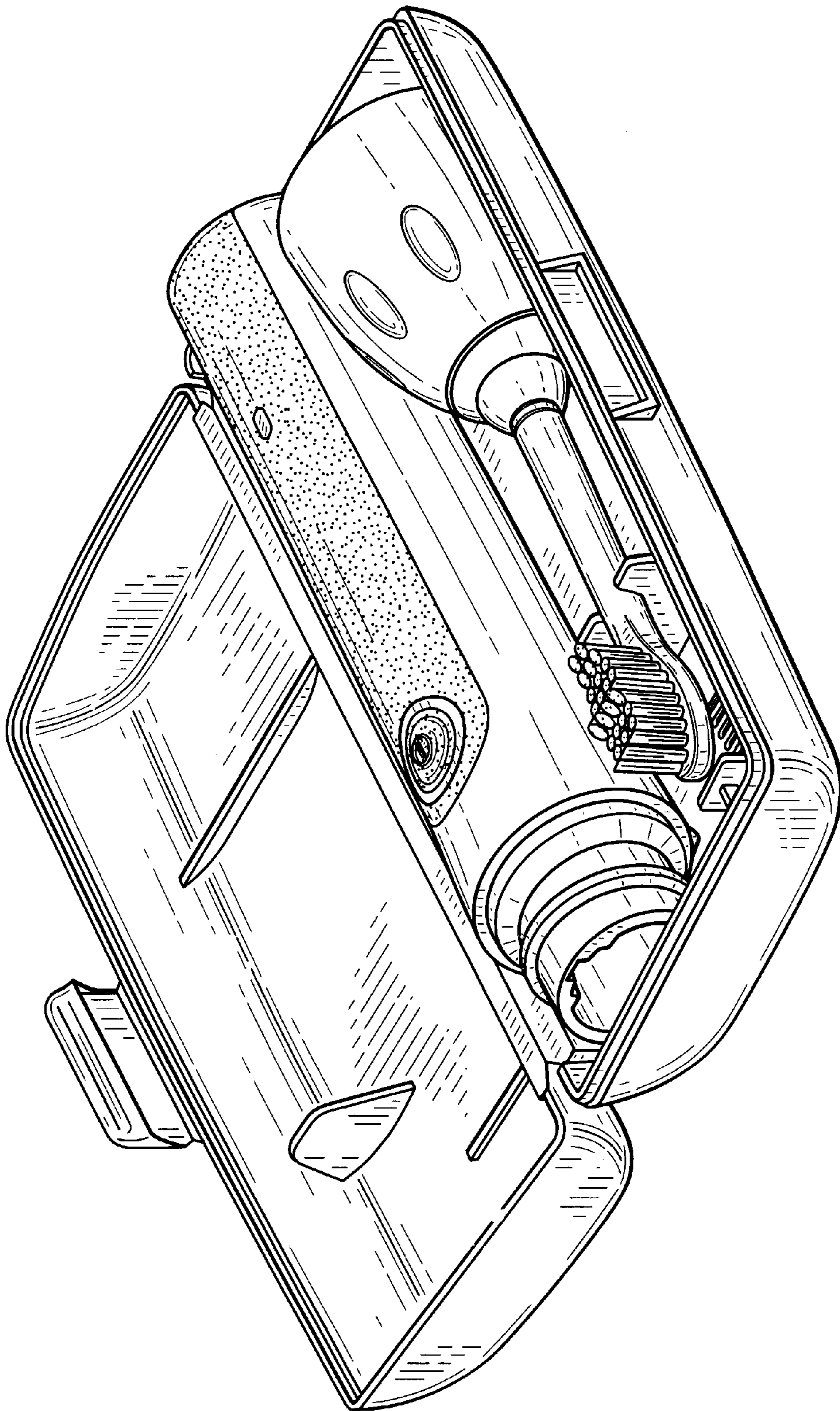


FIG. 1

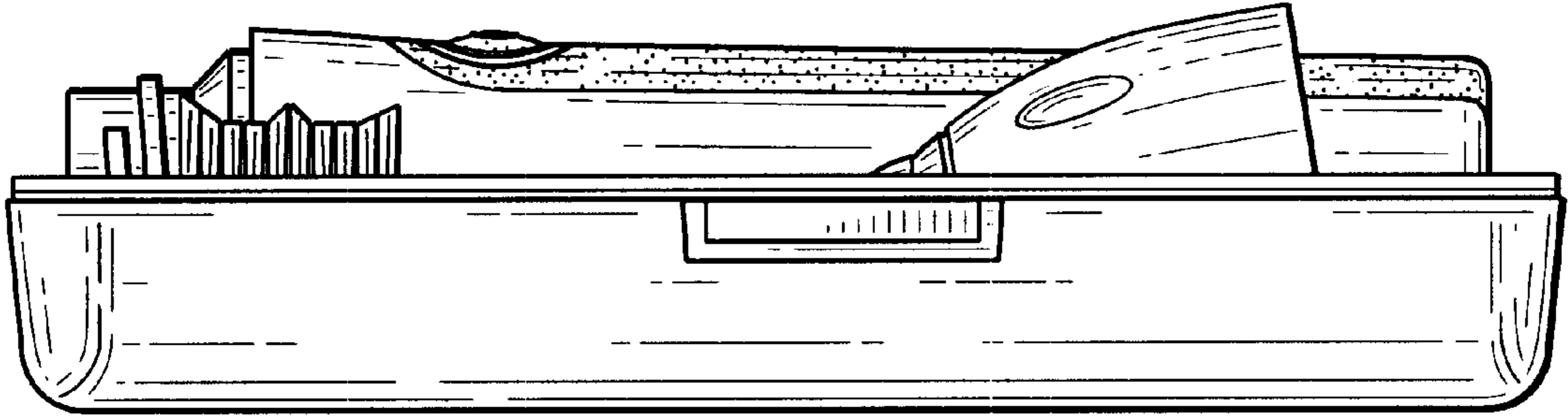


FIG. 2

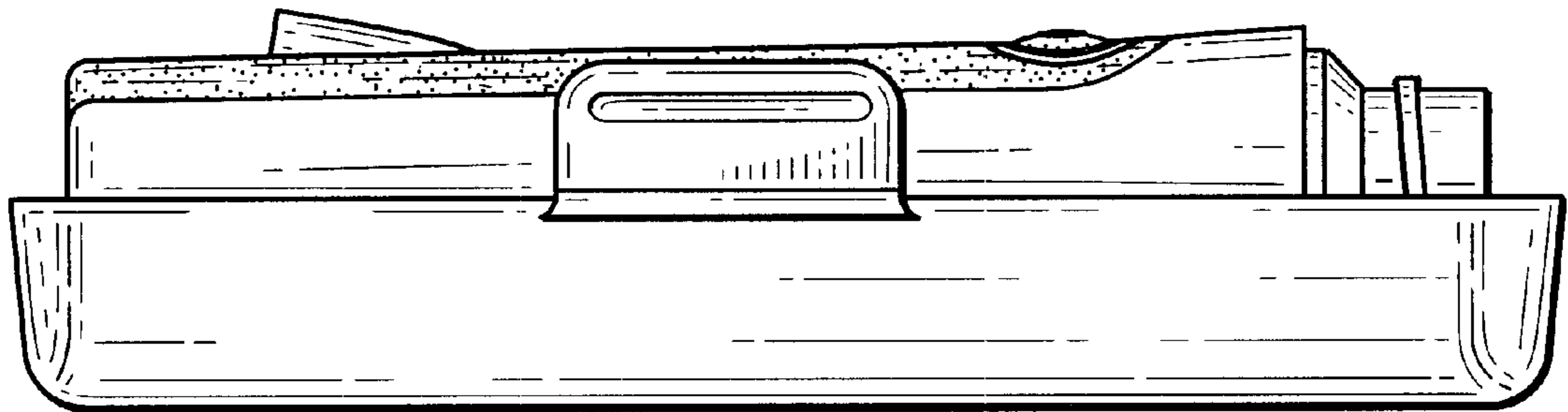


FIG. 3



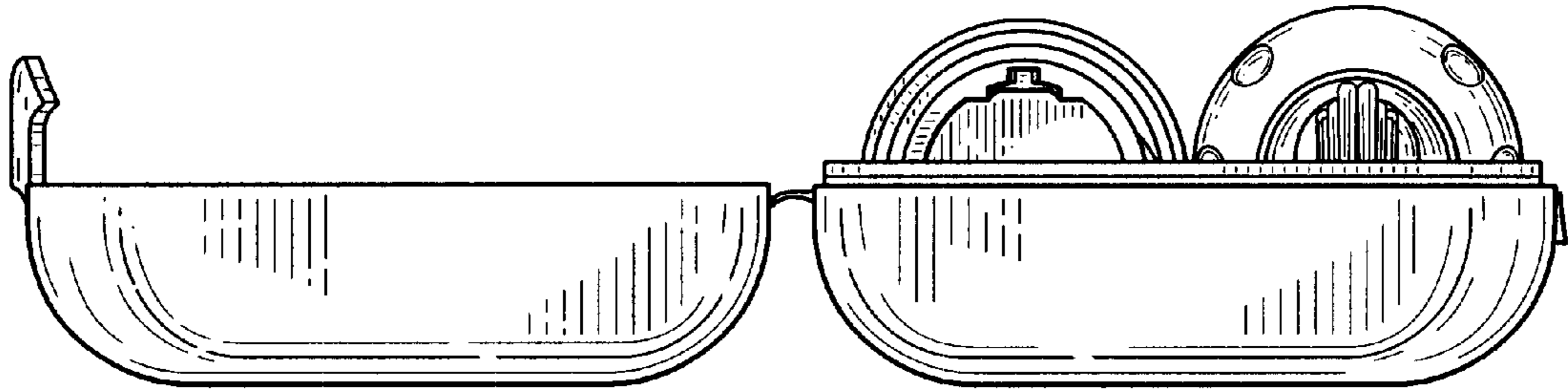


FIG. 4

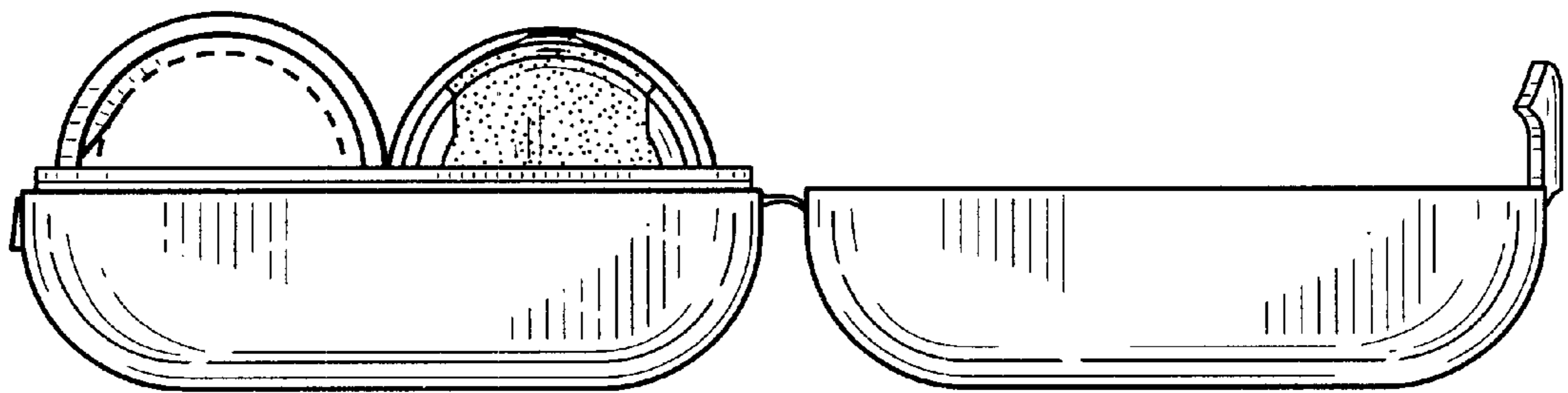


FIG. 5

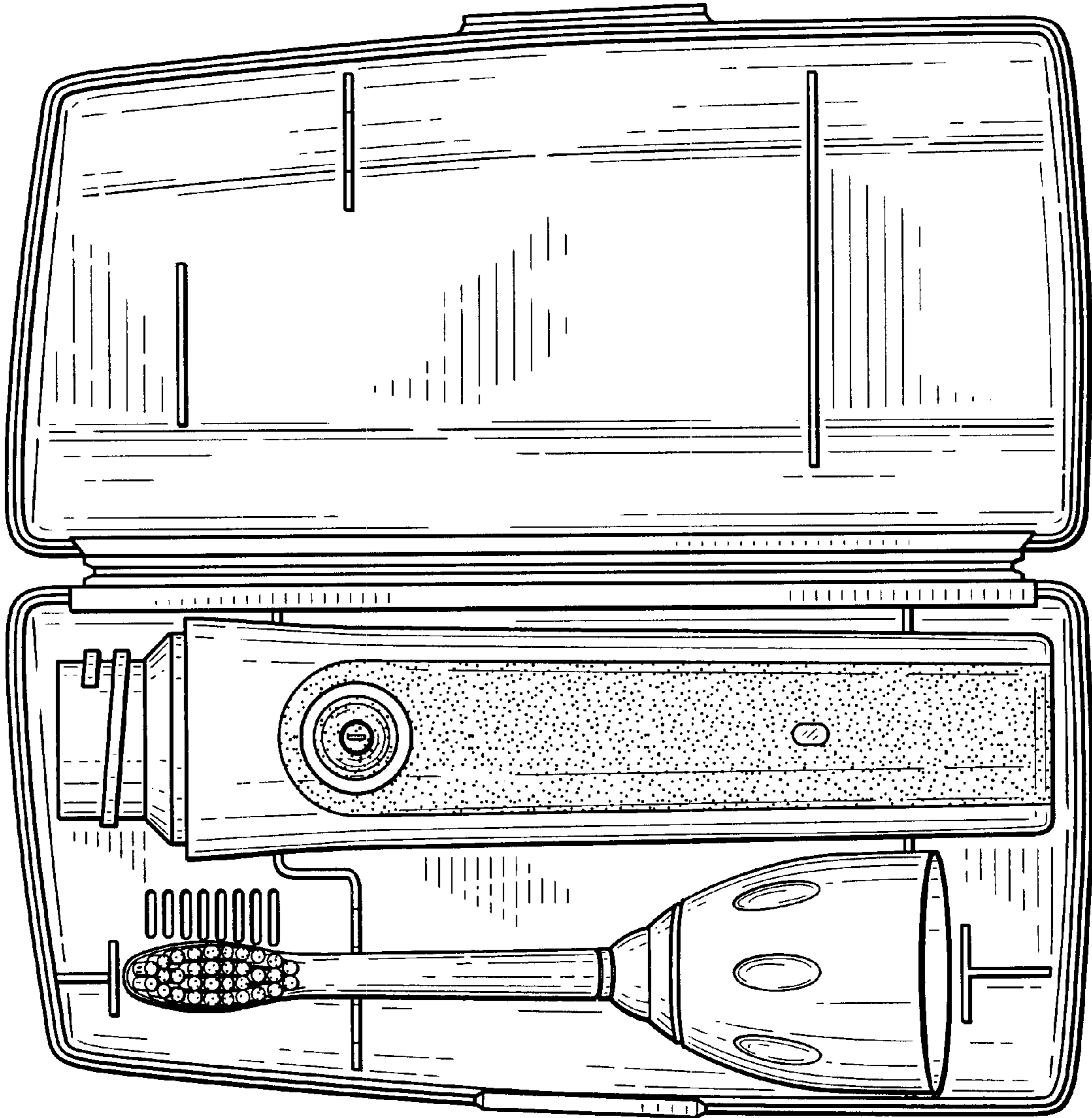


FIG. 6

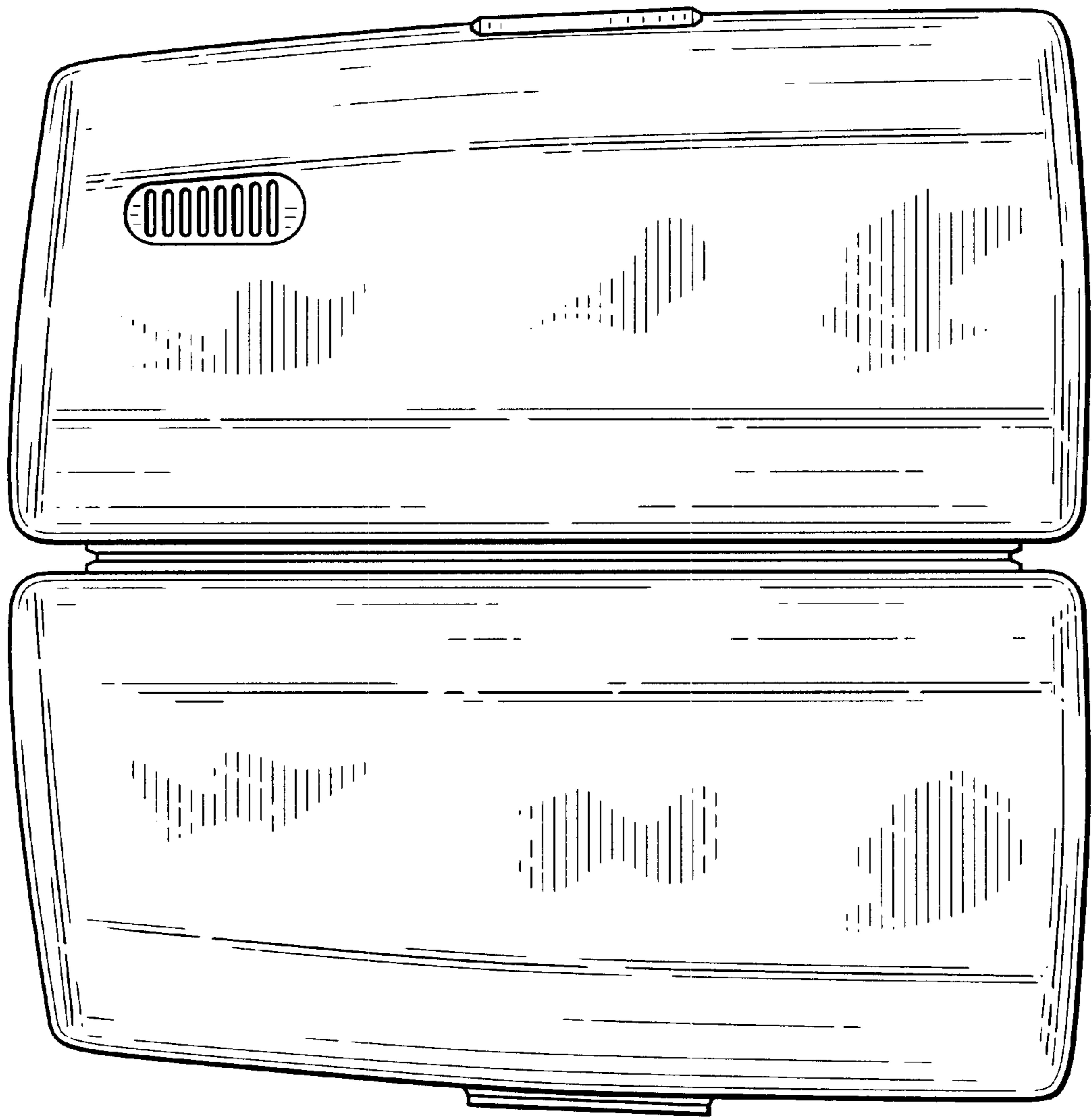


FIG. 7



FIG. 8