



US00D474031S

(12) **United States Design Patent**
Wassil et al.

(10) **Patent No.: US D474,031 S**

(45) **Date of Patent: ** May 6, 2003**

(54) **PAINT APPLICATOR**

(76) Inventors: **Larry Wassil**, 412 Lane Ave., South Plainfield, NJ (US) 07080; **Nancy Wassil**, 412 Lane Ave., South Plainfield, NJ (US) 07080

(**) Term: **14 Years**

(21) Appl. No.: **29/156,475**

(22) Filed: **Mar. 1, 2002**

(51) **LOC (7) Cl. 04-04**

(52) **U.S. Cl. D4/119; D4/137**

(58) **Field of Search D4/119, 121, 130, D4/137, 138; D32/52; 15/106, 160, 209.1, 210.1, 244.1**

(56) **References Cited**

U.S. PATENT DOCUMENTS

3,117,334	A	*	1/1964	Imhof	15/210.1
3,662,422	A		5/1972	Christensen et al.		
3,728,755	A	*	4/1973	Whalen	15/210.1
4,244,074	A		1/1981	Barcikowski et al.		
4,403,384	A		9/1983	Fogle		
4,404,703	A		9/1983	Woodall, et al.		
5,267,369	A	*	12/1993	O'Neil et al.	15/210.1

5,432,972	A	*	7/1995	Polzin et al.	15/210.1
5,432,973	A	*	7/1995	Wagner et al.	15/210.1
D386,849	S	*	11/1997	DeHavilland	D4/137 X
D394,958	S		6/1998	Polzin et al.		
5,822,823	A		10/1998	Polzin et al.		

* cited by examiner

Primary Examiner—Alan P. Douglas

Assistant Examiner—Lavone D. Tabor

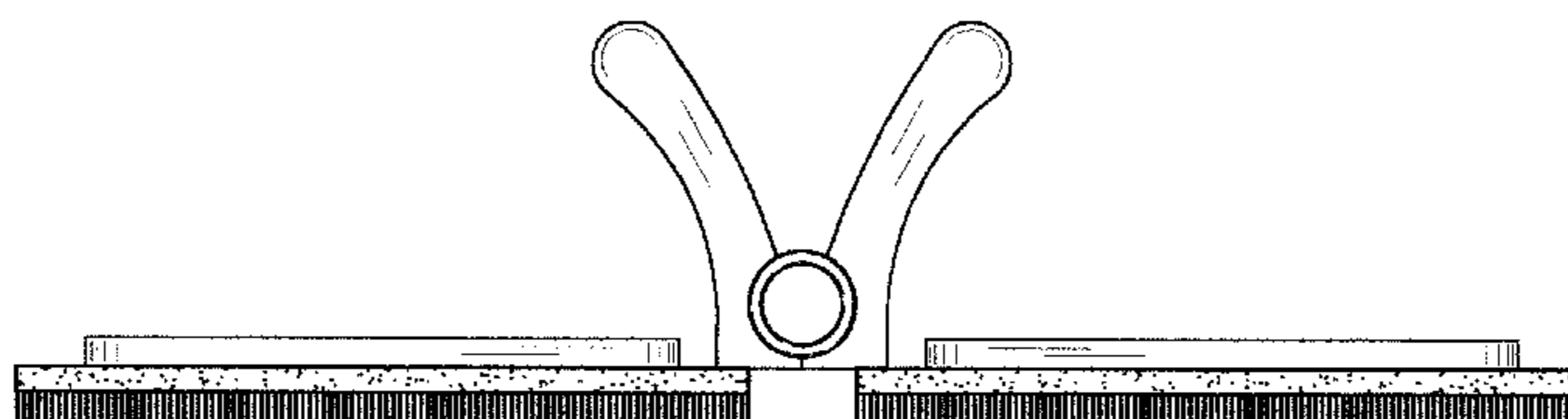
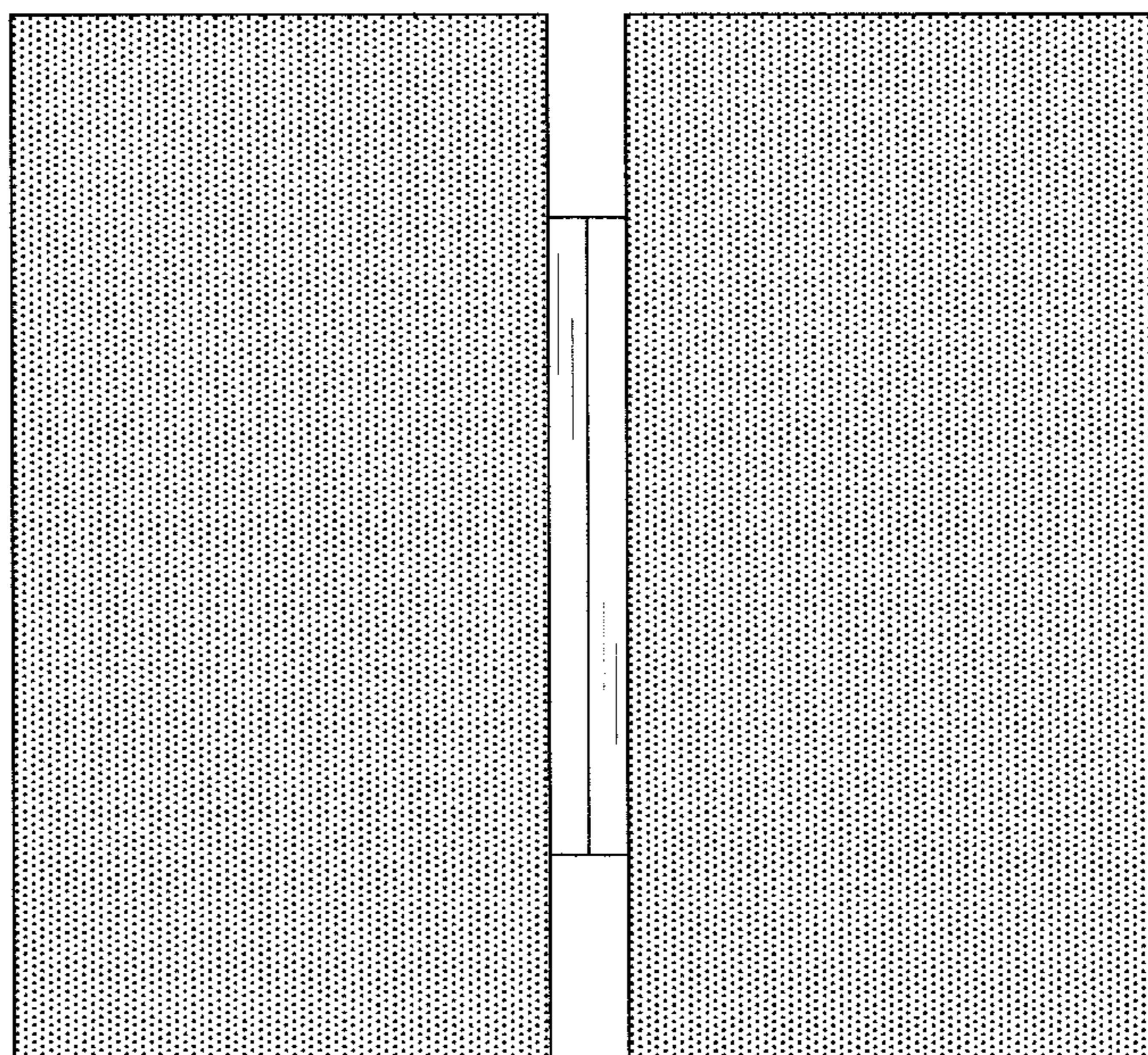
(57) **CLAIM**

The ornamental design for a paint applicator, as shown and described.

DESCRIPTION

FIG. 1 is a front elevational view of the paint applicator of the present invention;
 FIG. 2 is a rear elevational view of the paint applicator of FIG. 1;
 FIG. 3 is a left side elevational view of the paint applicator of FIG. 1, the right view being a mirror image thereof;
 FIG. 4 is a top plan view of the paint applicator of FIG. 1; and,
 FIG. 5 is a bottom plan view of the paint applicator of FIG. 1.

1 Claim, 4 Drawing Sheets



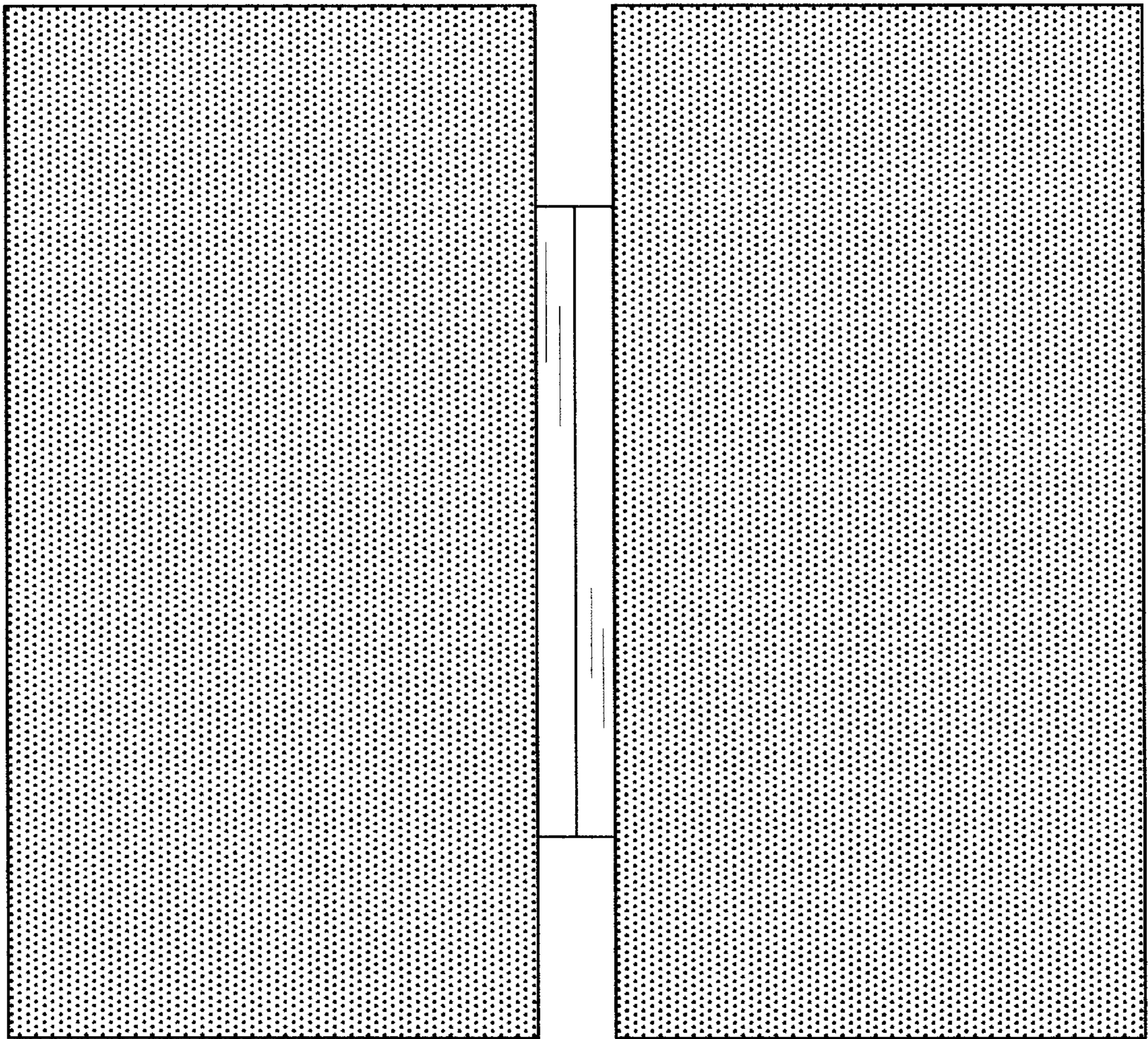


FIG. 1

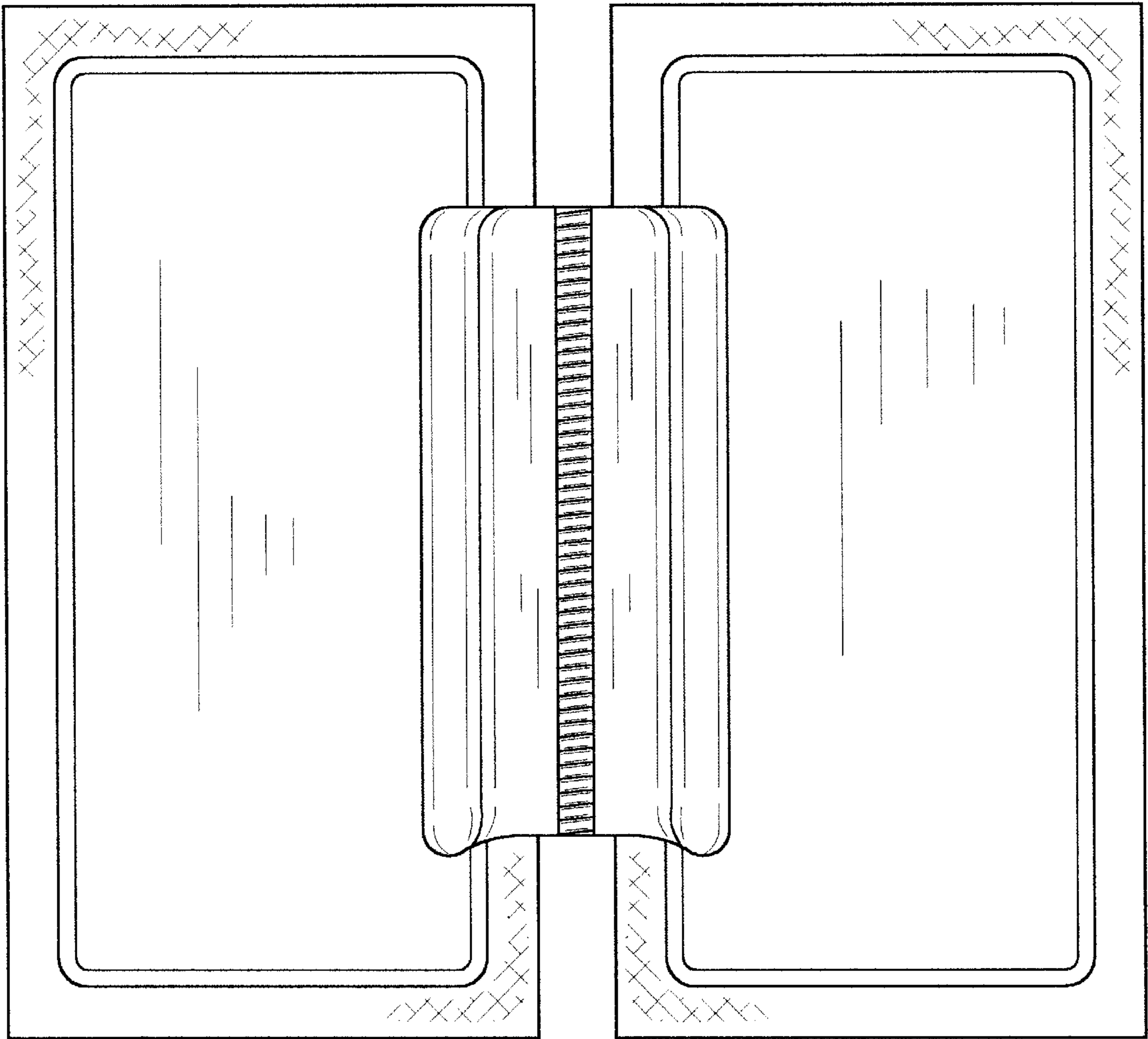


FIG. 2

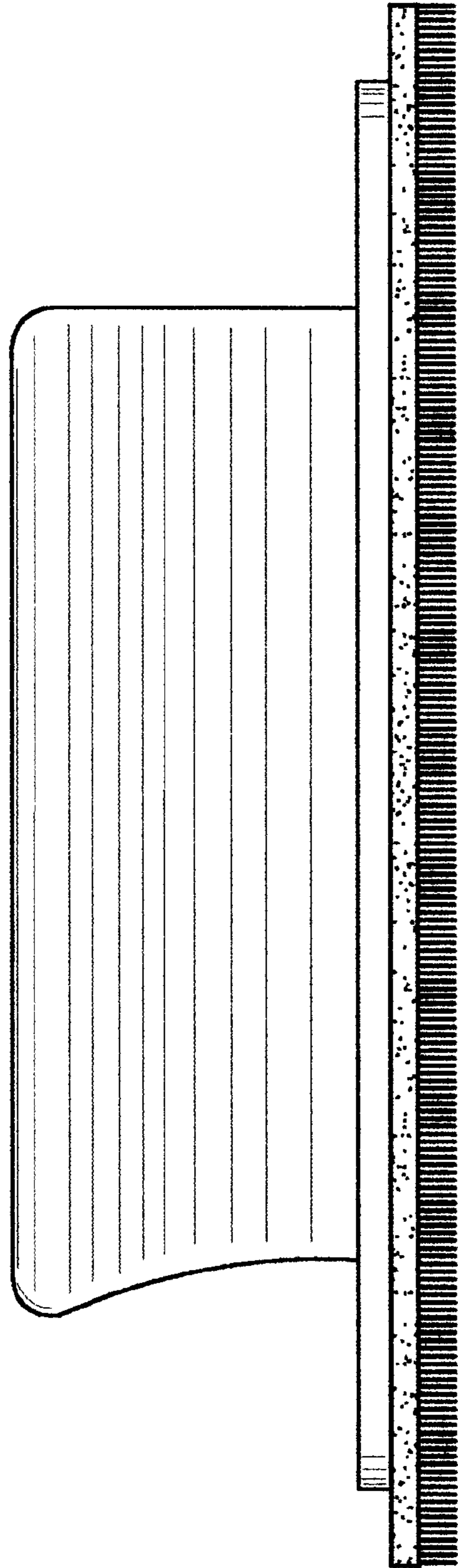


FIG. 3

FIG. 4

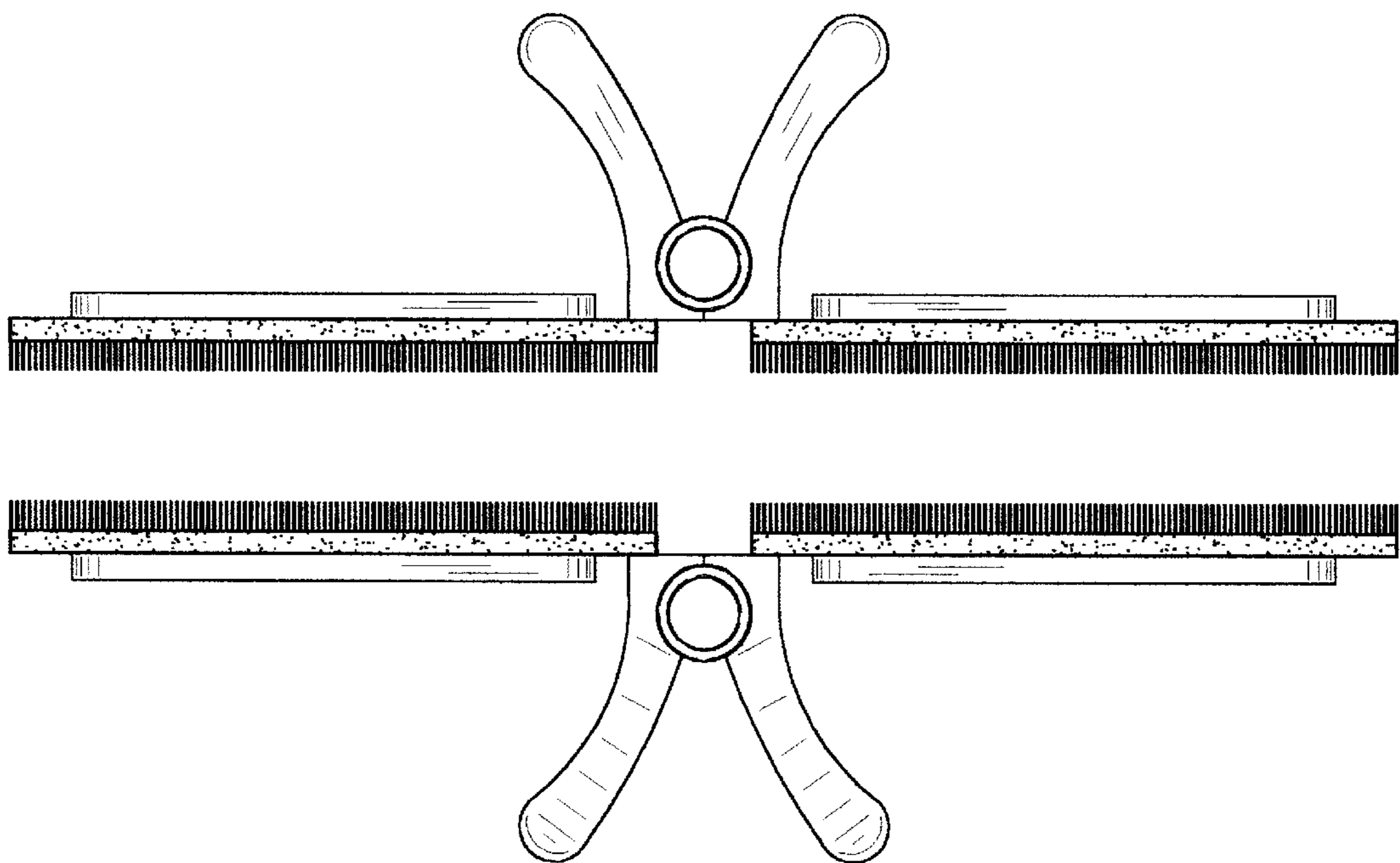


FIG. 5