



US00D474025S

(12) **United States Design Patent**
Powers

(10) **Patent No.:** **US D474,025 S**

(45) **Date of Patent:** **** May 6, 2003**

(54) **TORSO MACHINE**

6,248,047 B1 * 6/2001 Abdo 482/130

(76) **Inventor:** **Stephen W. Powers**, 1397 Mustang,
Lewisville, TX (US) 75067

* cited by examiner

(**) **Term:** **14 Years**

Primary Examiner—Philip S. Hyder
(74) *Attorney, Agent, or Firm*—Craig A. Hoersten

(21) **Appl. No.:** **29/158,951**

(57) **CLAIM**

(22) **Filed:** **Apr. 11, 2002**

The ornamental design for the torso machine, as shown and described.

(51) **LOC (7) Cl.** **21-02**

DESCRIPTION

(52) **U.S. Cl.** **D3/676**

(58) **Field of Search** D21/662, 673,
D21/674, 675, 676, 690; 482/111, 112,
123, 129, 130, 133

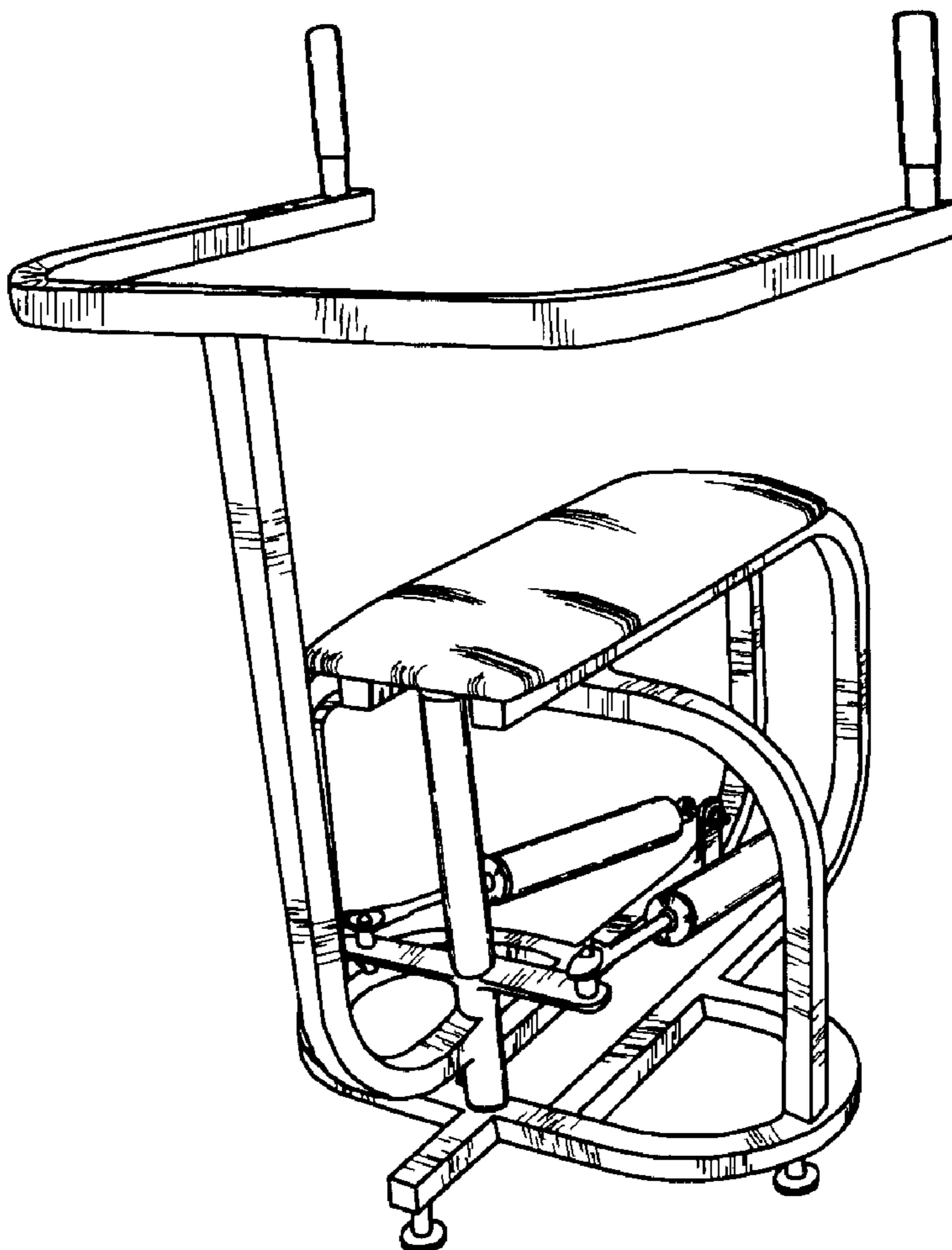
FIG. 1 is a front perspective view of the present invention;
FIG. 2 is a top view of the of the present invention;
FIG. 3 is a bottom view of the present invention;
FIG. 4 is a left side elevational view of the present invention,
the right side elevational view being a mirror image thereof;
FIG. 5 is a front elevational view of the present invention;
and,
FIG. 6 is a rear elevational view of the present invention.

(56) **References Cited**

U.S. PATENT DOCUMENTS

D281,712 S	*	12/1985	Stedman	D21/676
4,733,860 A	*	3/1988	Steffe	482/136
D344,993 S	*	3/1994	Laratta	D21/676
6,113,522 A	*	9/2000	Fontenot et al.	482/111

1 Claim, 2 Drawing Sheets



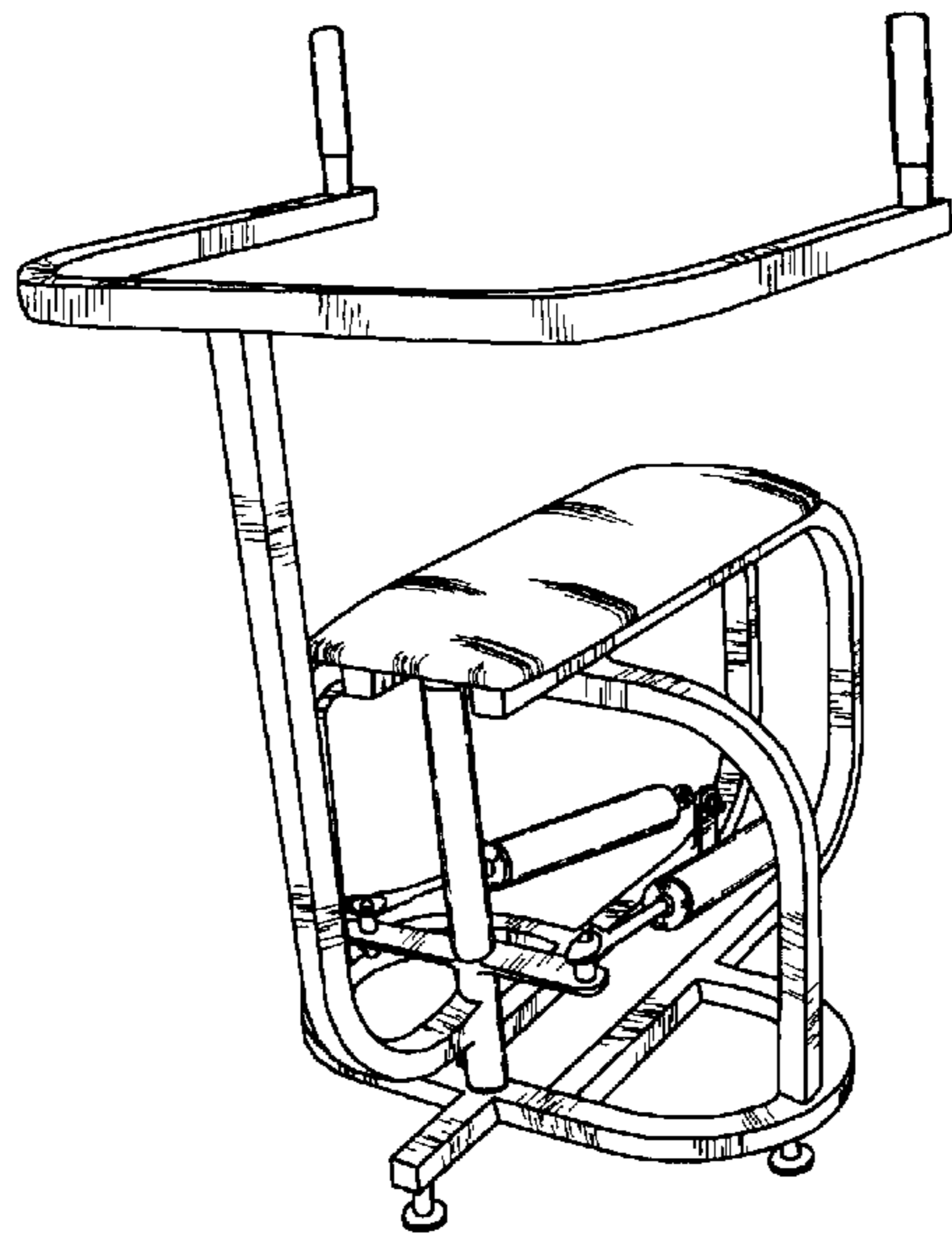


FIGURE 1

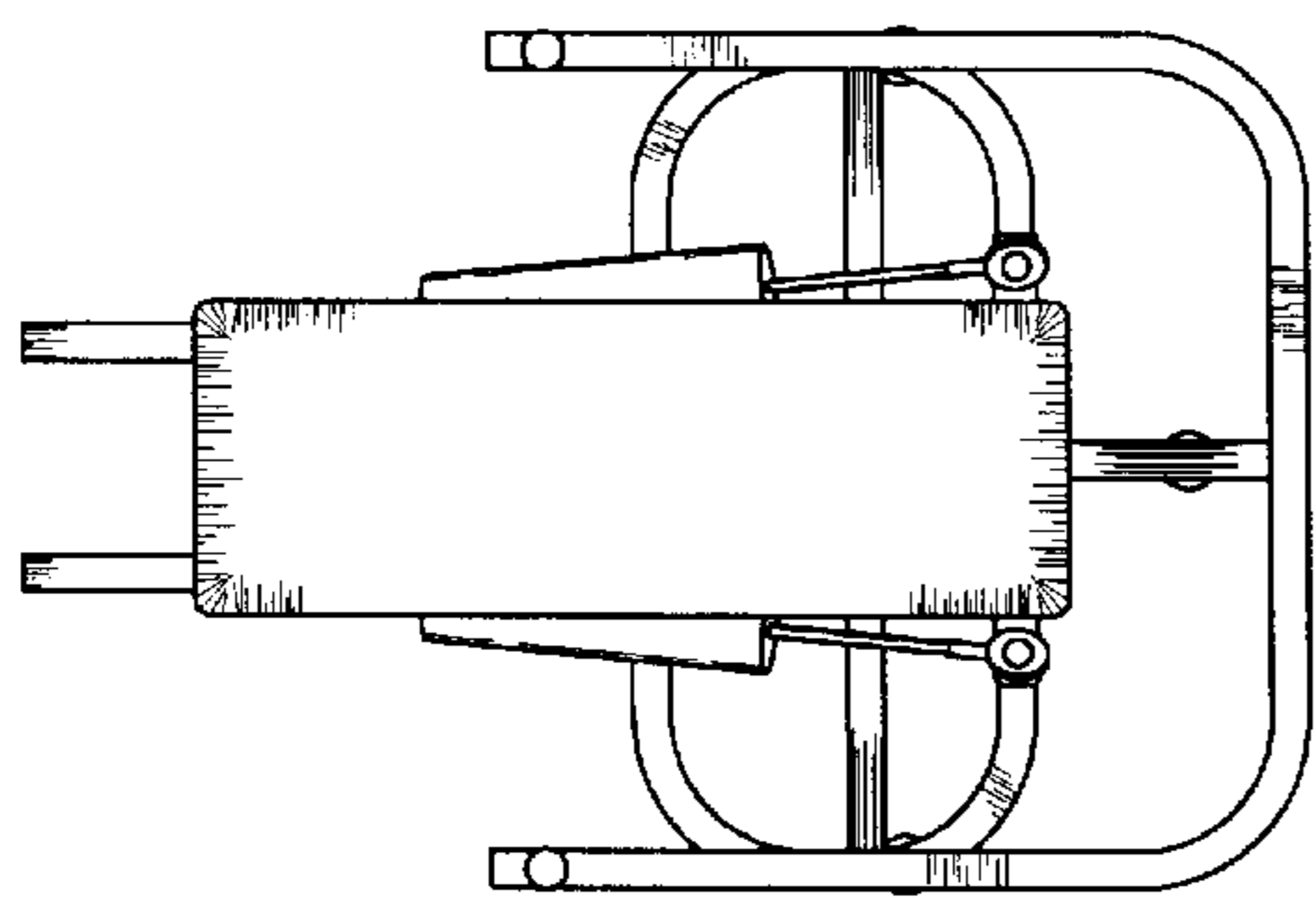


FIGURE 2

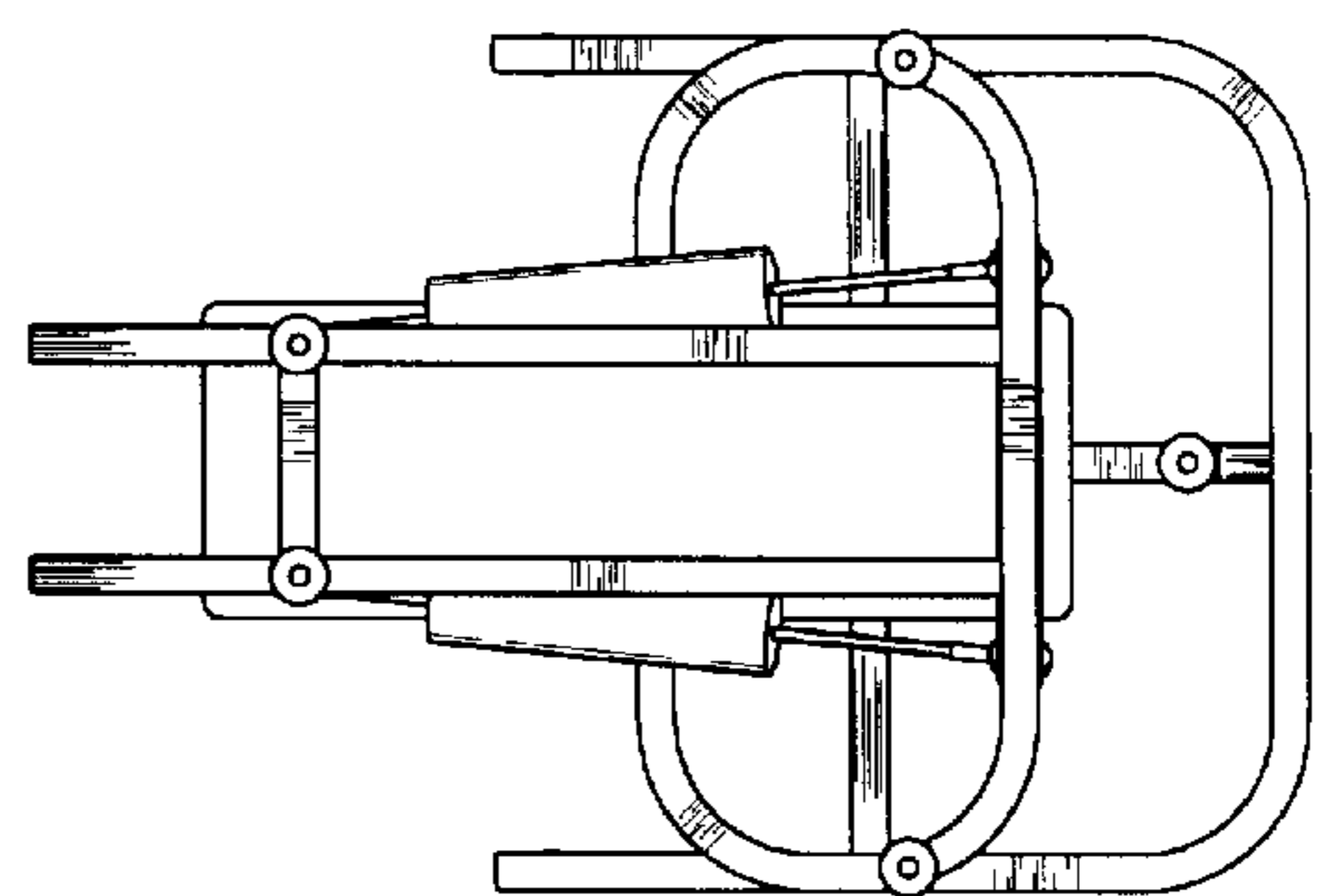


FIGURE 3

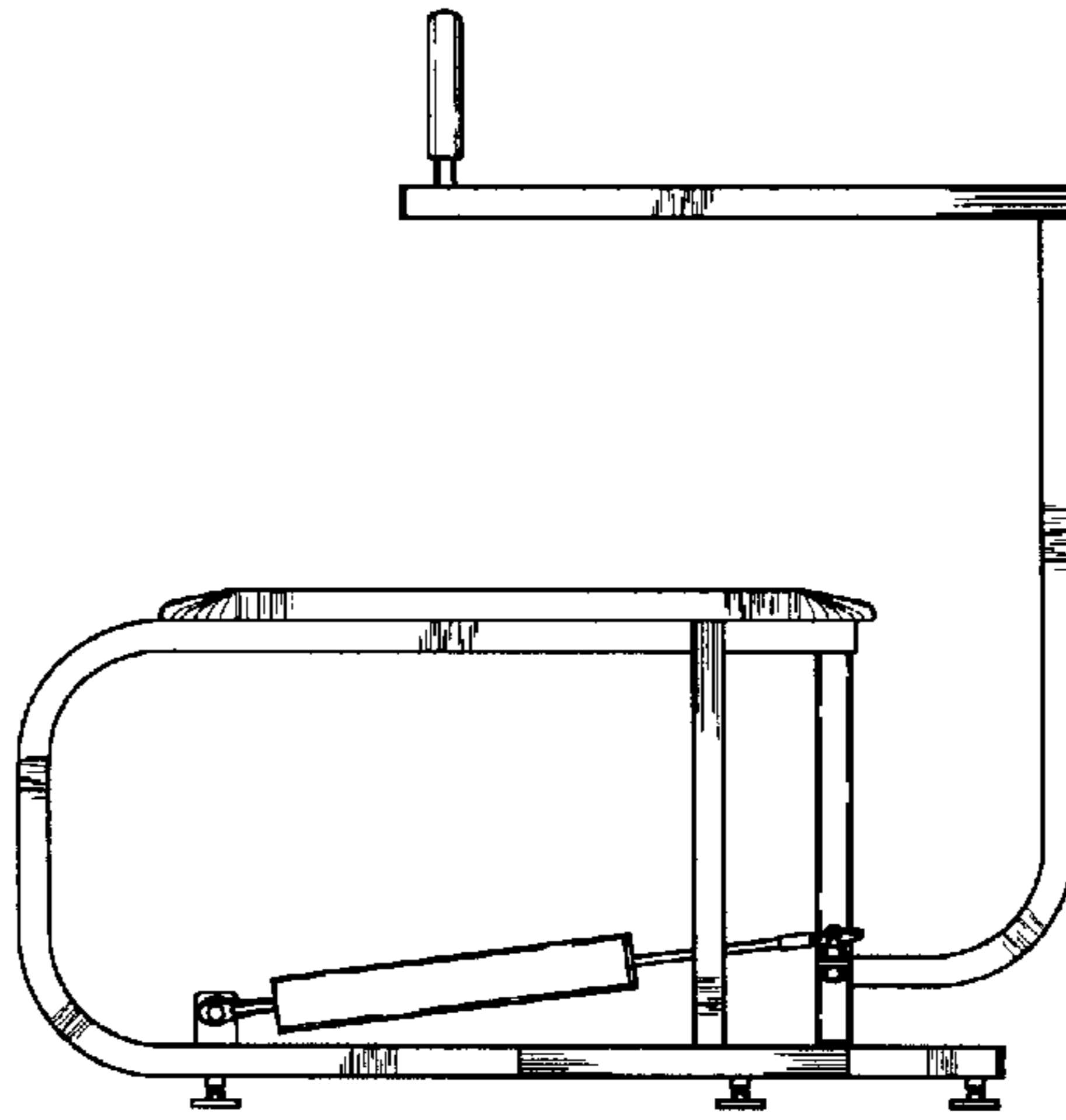


FIGURE 4

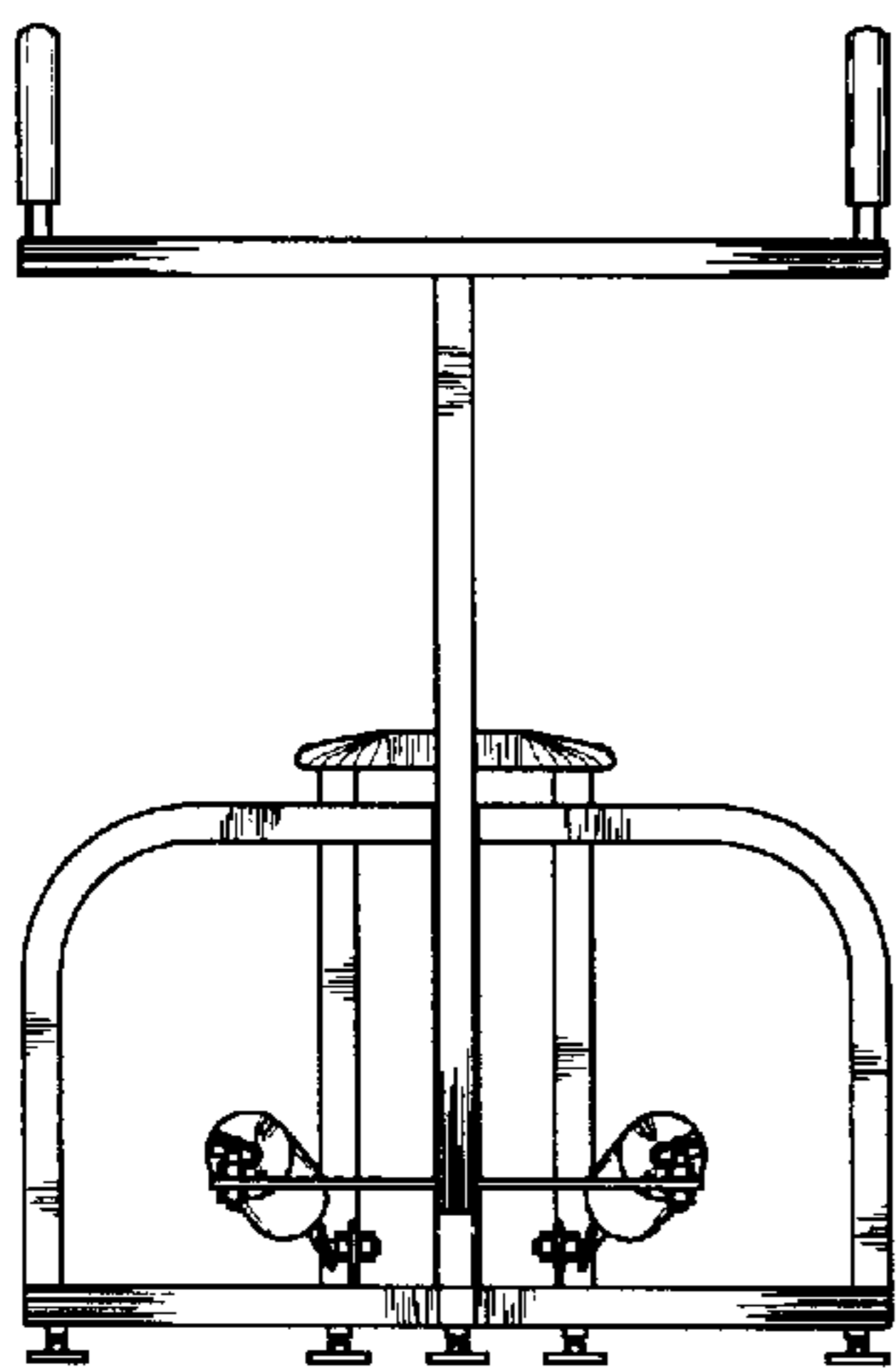


FIGURE 5

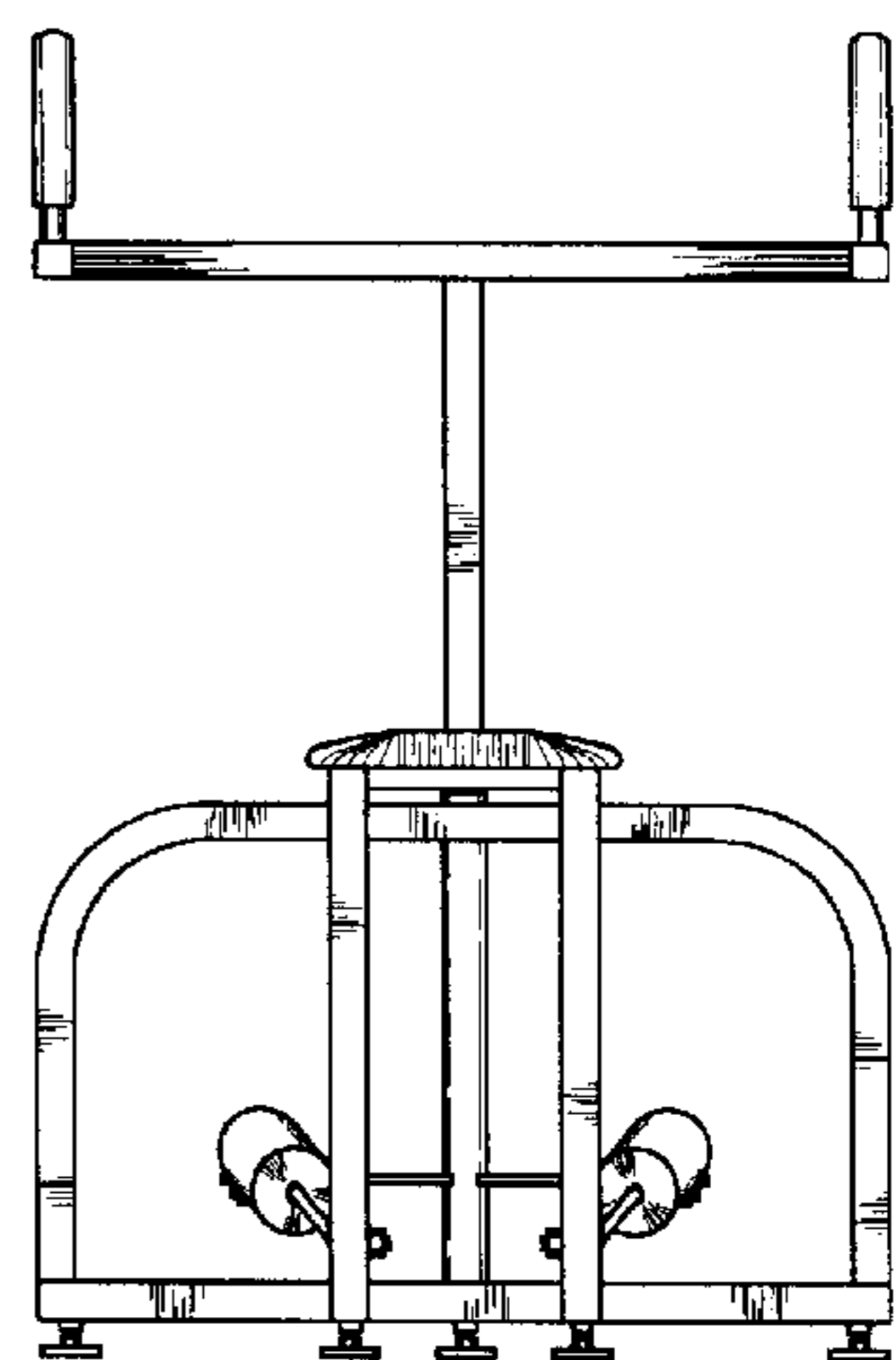


FIGURE 6