



US00D474021S

(12) **United States Design Patent**  
**Lenaerts**

(10) **Patent No.:** **US D474,021 S**

(45) **Date of Patent:** **\*\* May 6, 2003**

(54) **DISPLAY CONTAINER FOR JEWELRY**

D450,244 S \* 11/2001 Rashid ..... D9/503

(75) Inventor: **Christian Marie Joseph Ghislain  
Corneille Lenaerts**, Bierges (BE)

\* cited by examiner

*Primary Examiner*—Philip S. Hyder

(73) Assignee: **Overseas Diamonds N.V.**, Antwerp (BE)

(74) *Attorney, Agent, or Firm*—Knobbe, Martens, Olson & Bear, LLP

(\*\*) Term: **14 Years**

(57) **CLAIM**

(21) Appl. No.: **29/160,754**

The ornamental design for a display container for jewelry, as shown and described.

(22) Filed: **May 14, 2002**

**DESCRIPTION**

(30) **Foreign Application Priority Data**

Apr. 4, 2002 (GB) ..... 3002723

(51) **LOC (7) Cl.** ..... **03-01**

(52) **U.S. Cl.** ..... **D3/302; D3/273; D3/903; D9/429; D9/502**

(58) **Field of Search** ..... **D3/272, 273, 294, D3/302; D9/428, 551, 502, 504, 557, 429; 206/457, 6.1; 220/288**

FIG. 1 is a perspective view of an assembled display container for jewelry having a unique configuration of the present design;

FIG. 2 is a front view of an assembled display container for jewelry having a unique configuration of the present design. The back view of the display container for jewelry is identical to the front view;

FIG. 3 is a side view of an assembled display container for jewelry having a unique configuration of the present design. The opposite side view of the display container for jewelry is identical to this side view;

FIG. 4 is a top view of a display container for jewelry having a unique configuration of the present design;

FIG. 5 is a bottom view of a display container for jewelry having a unique configuration of the present design;

FIG. 6 is a perspective, exploded view of a display container for jewelry having a unique configuration of the present design;

FIG. 7 is an alternative perspective, exploded view of a display container for jewelry having a unique configuration of the present design; and,

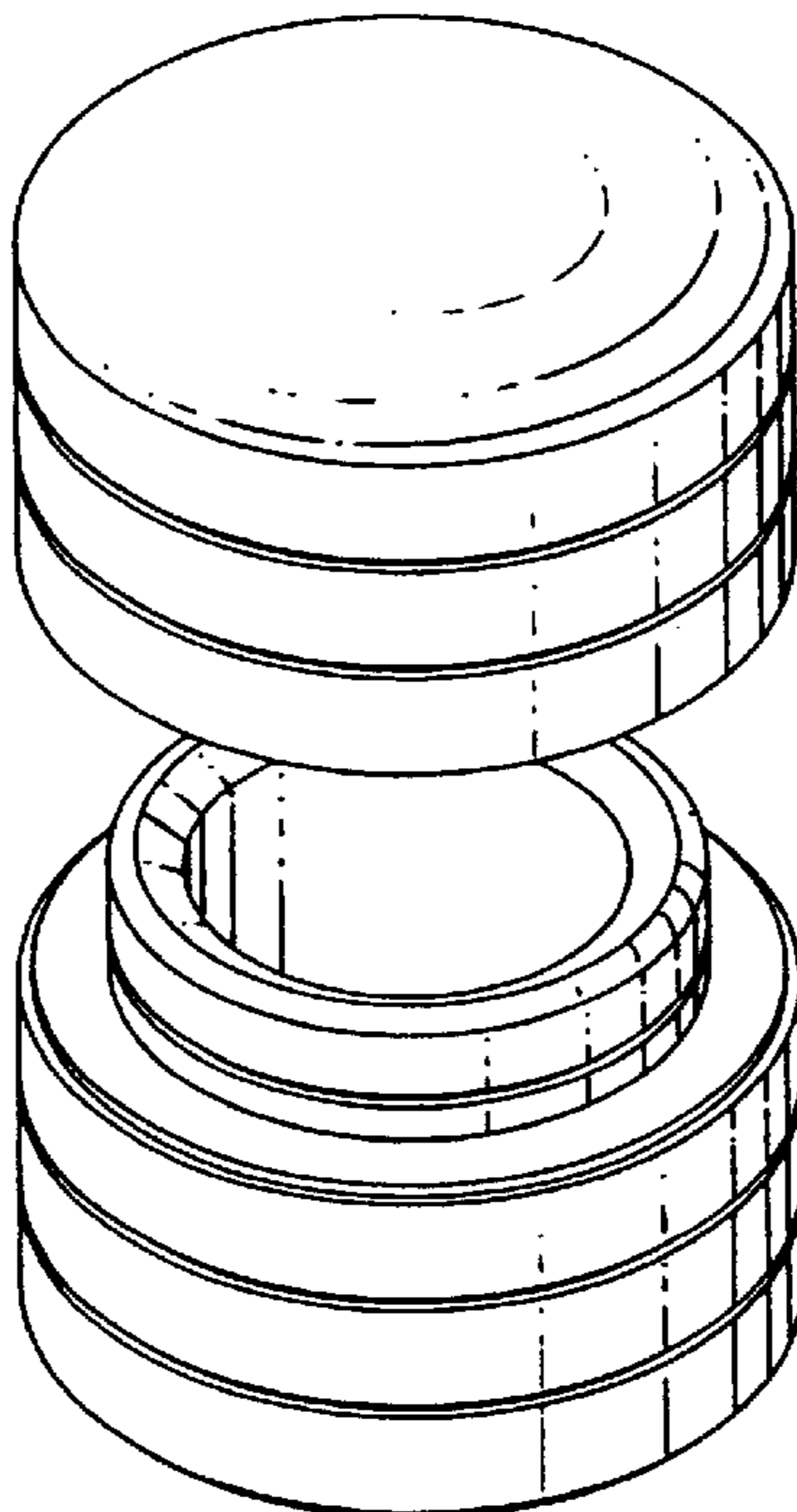
FIG. 8 is a side, section view of a display container for jewelry having a unique configuration of the present design.

(56) **References Cited**

**U.S. PATENT DOCUMENTS**

D200,443 S	*	2/1965	Deegan	.....	D34/39
D200,444 S	*	2/1965	Bijvoet	.....	D34/39
D280,706 S	*	9/1985	Franek et al.	.....	D9/502
D318,227 S	*	7/1991	Halm	.....	D9/502
D323,290 S	*	1/1992	Keedy, Jr.	.....	D9/502
D324,492 S	*	3/1992	Nickerson	.....	D9/502
D324,493 S	*	3/1992	Nickerson	.....	D9/502
D358,764 S	*	5/1995	Robbins, III	.....	D9/428
D424,719 S	*	5/2000	Freeman	.....	D26/20
D428,814 S	*	8/2000	Silvers et al.	.....	D9/502
D442,860 S	*	5/2001	Symons et al.	.....	D9/428

**1 Claim, 3 Drawing Sheets**



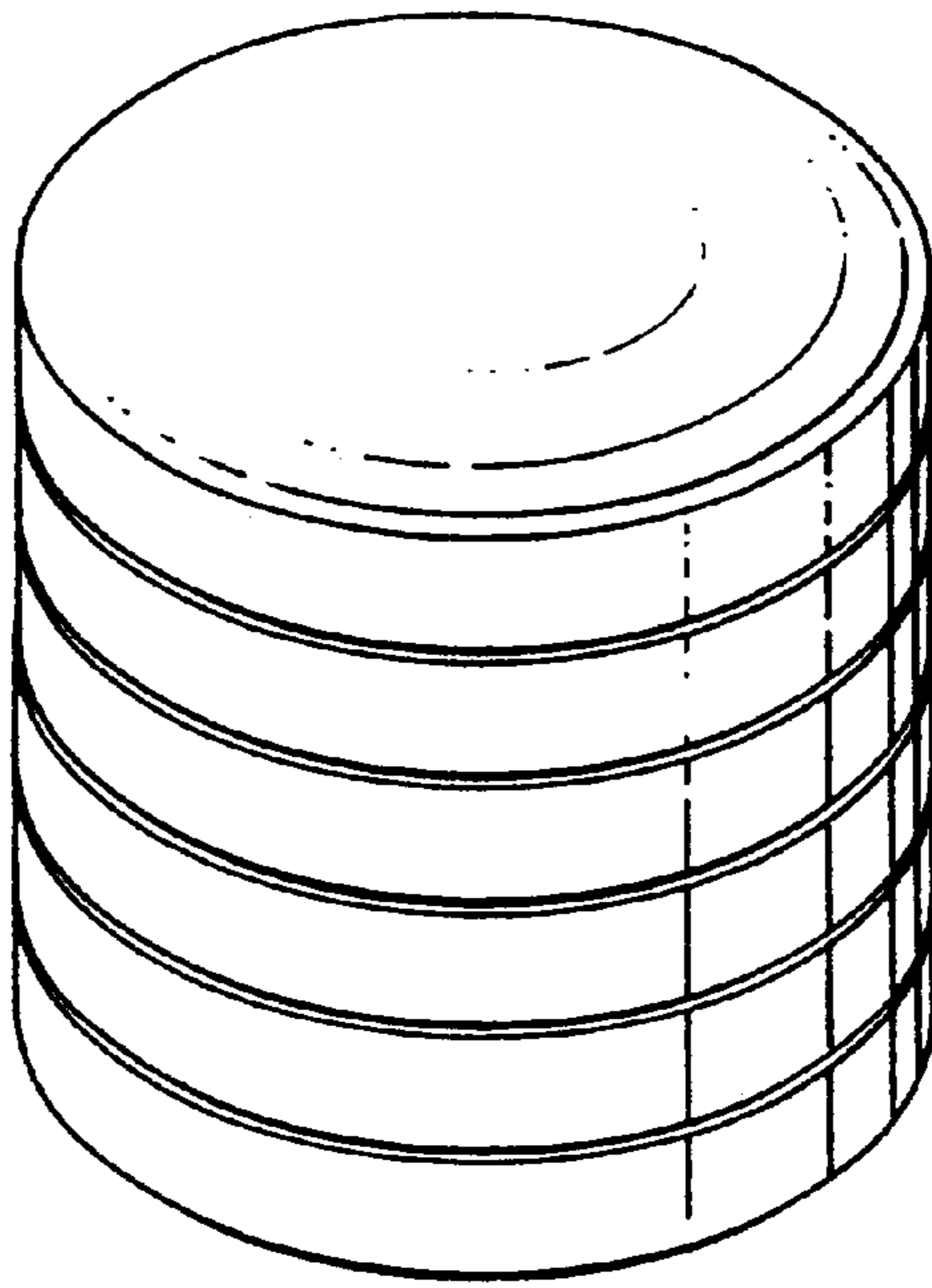


FIG. 1

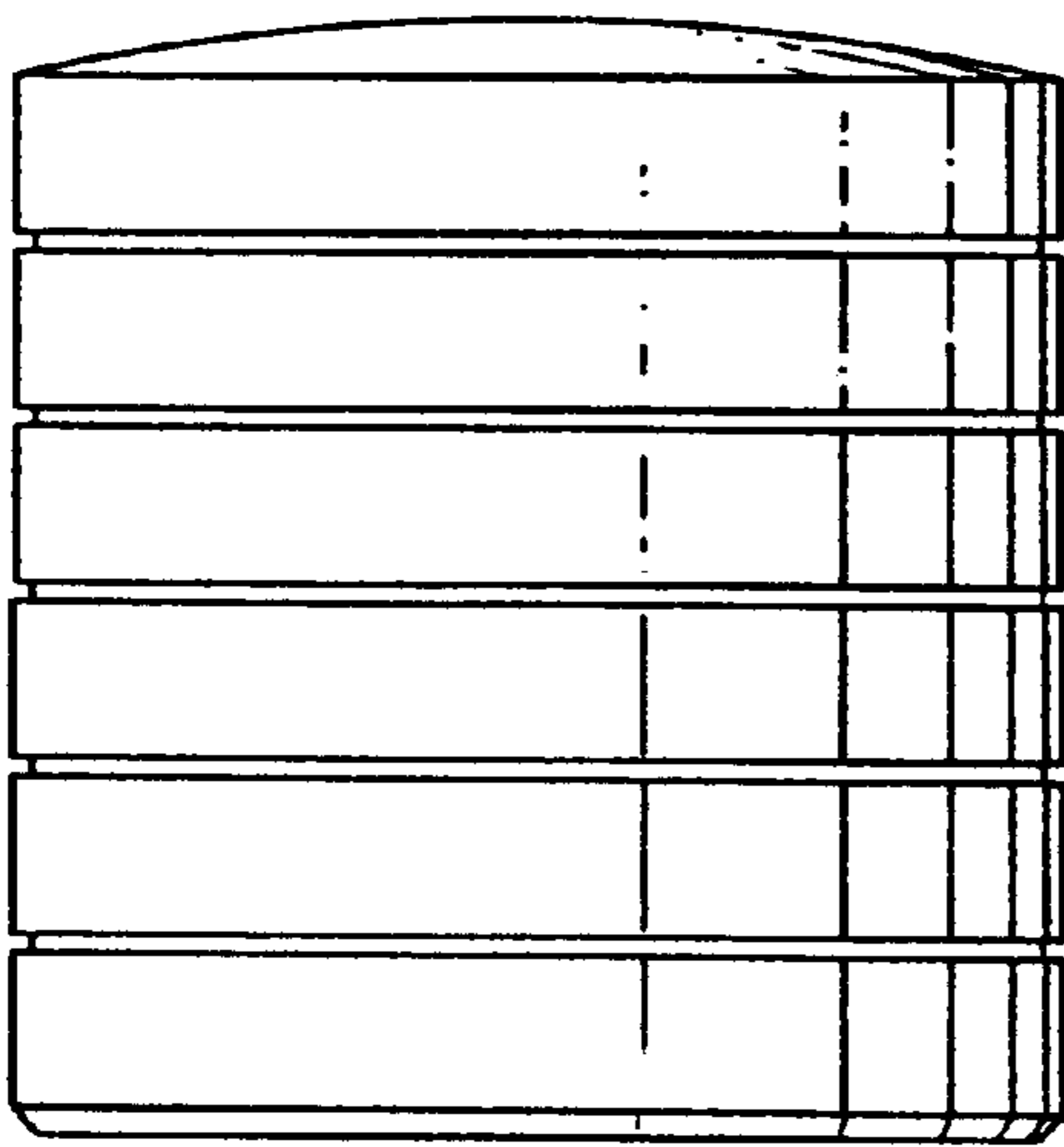


FIG. 2

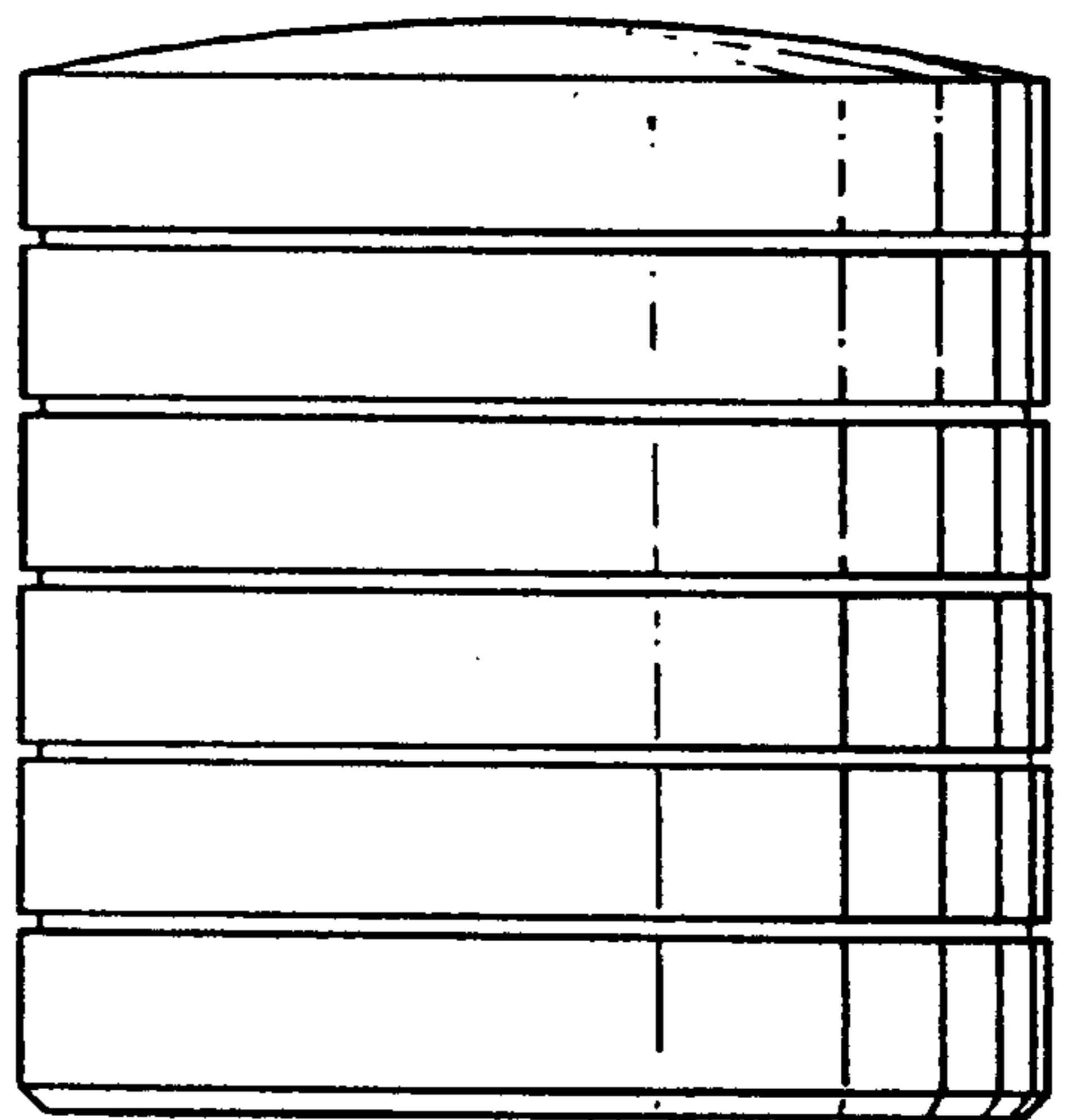


FIG. 3

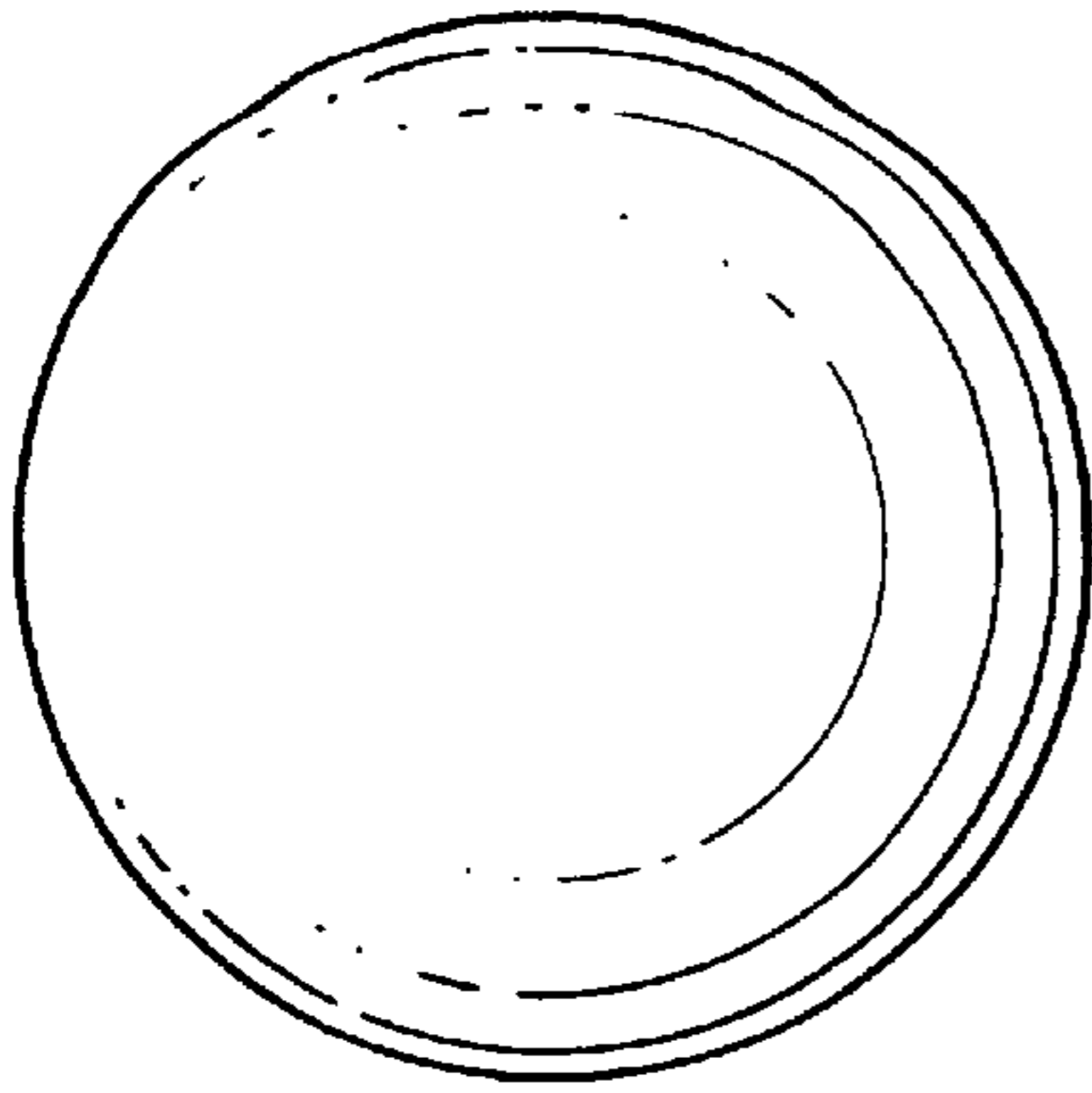


FIG. 4

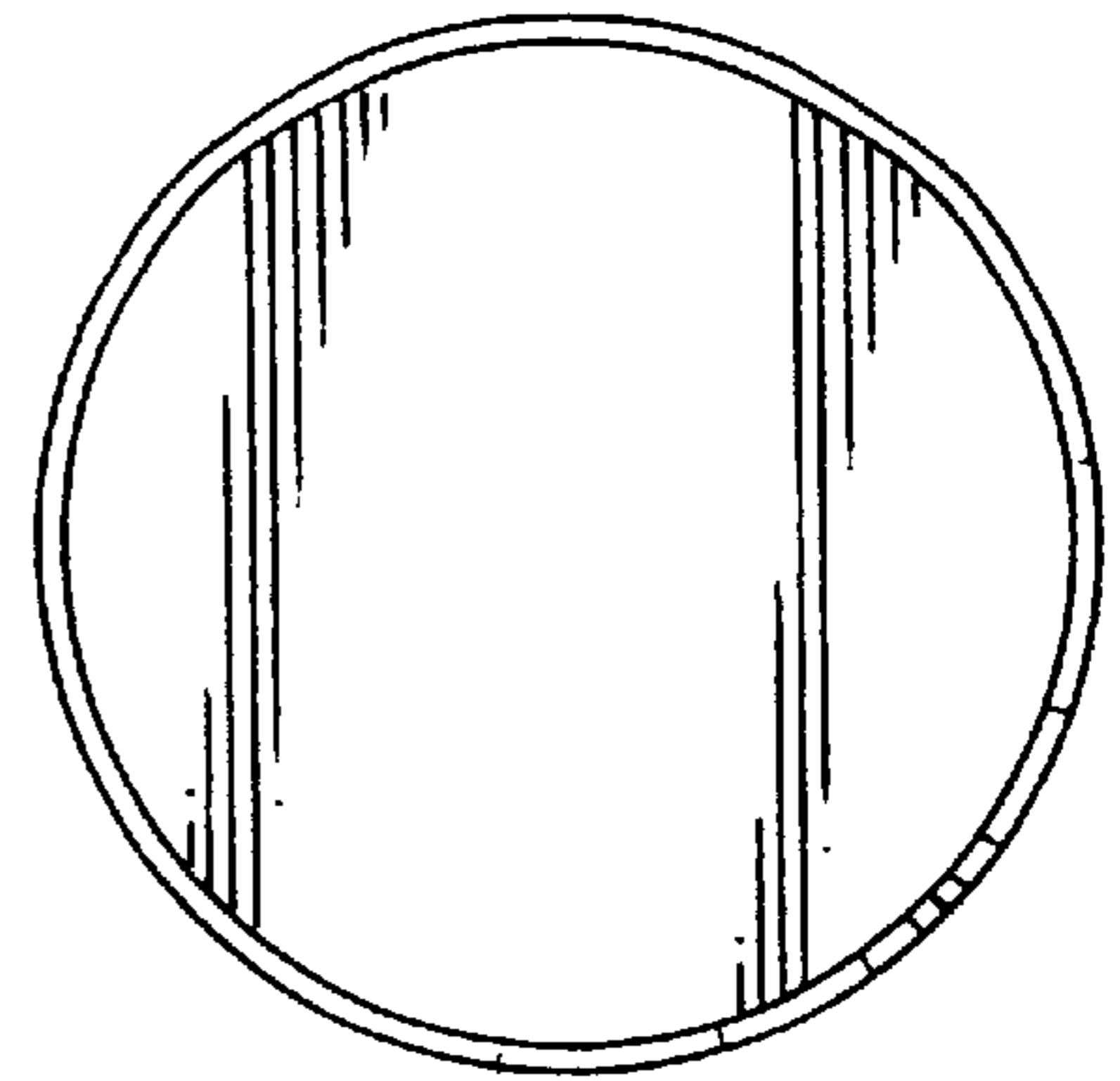


FIG. 5

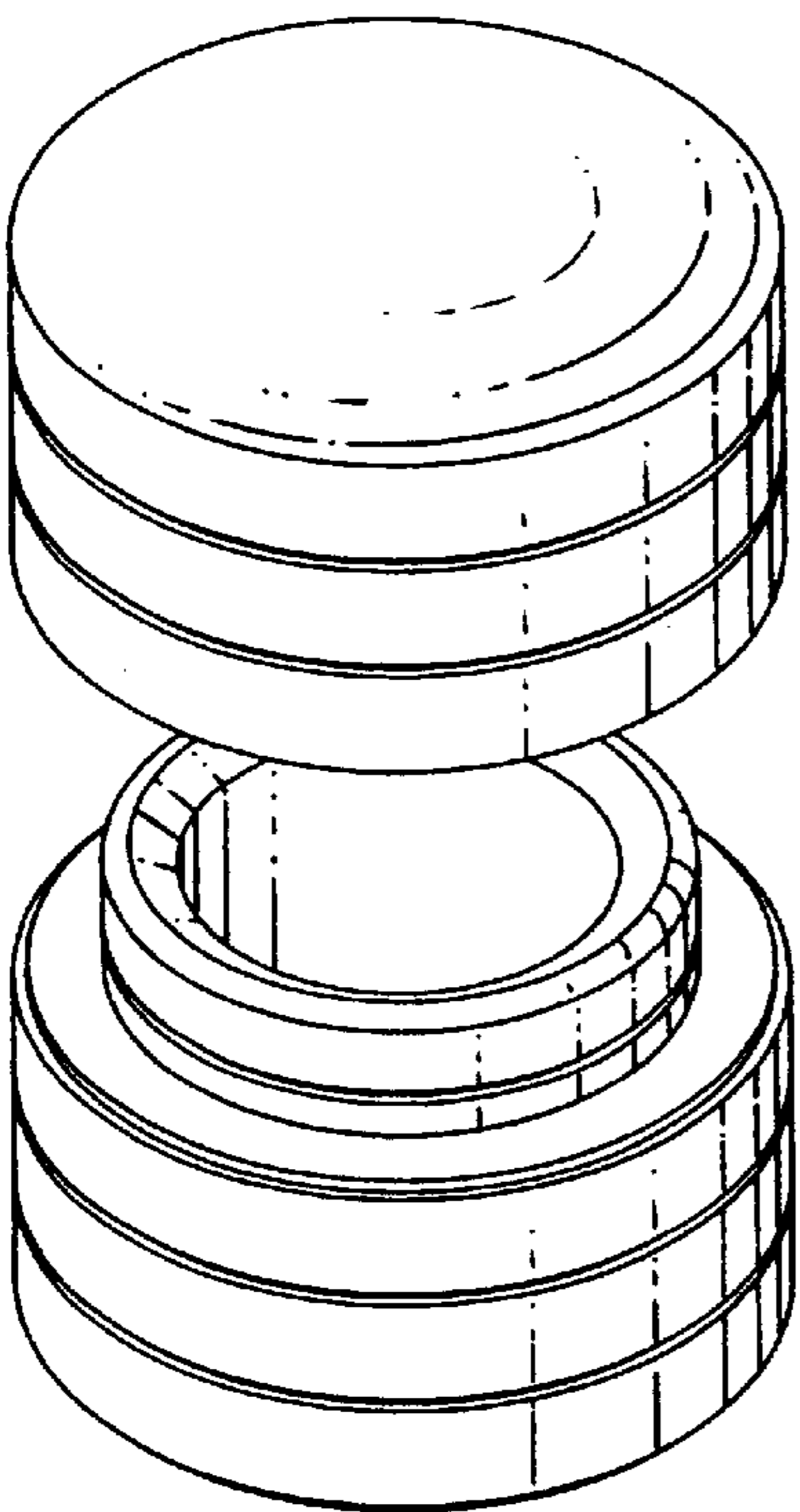


FIG. 6

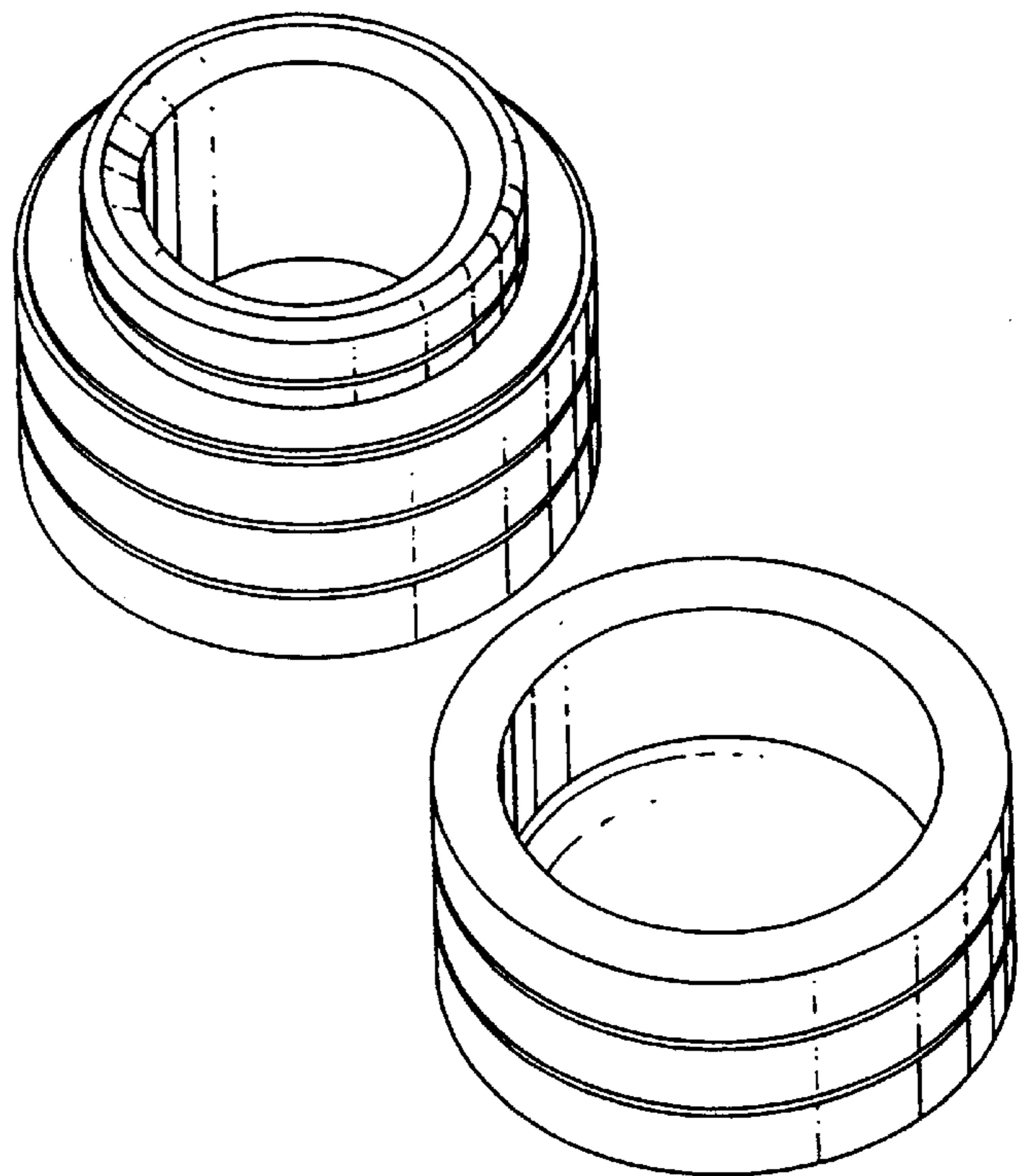


FIG. 7

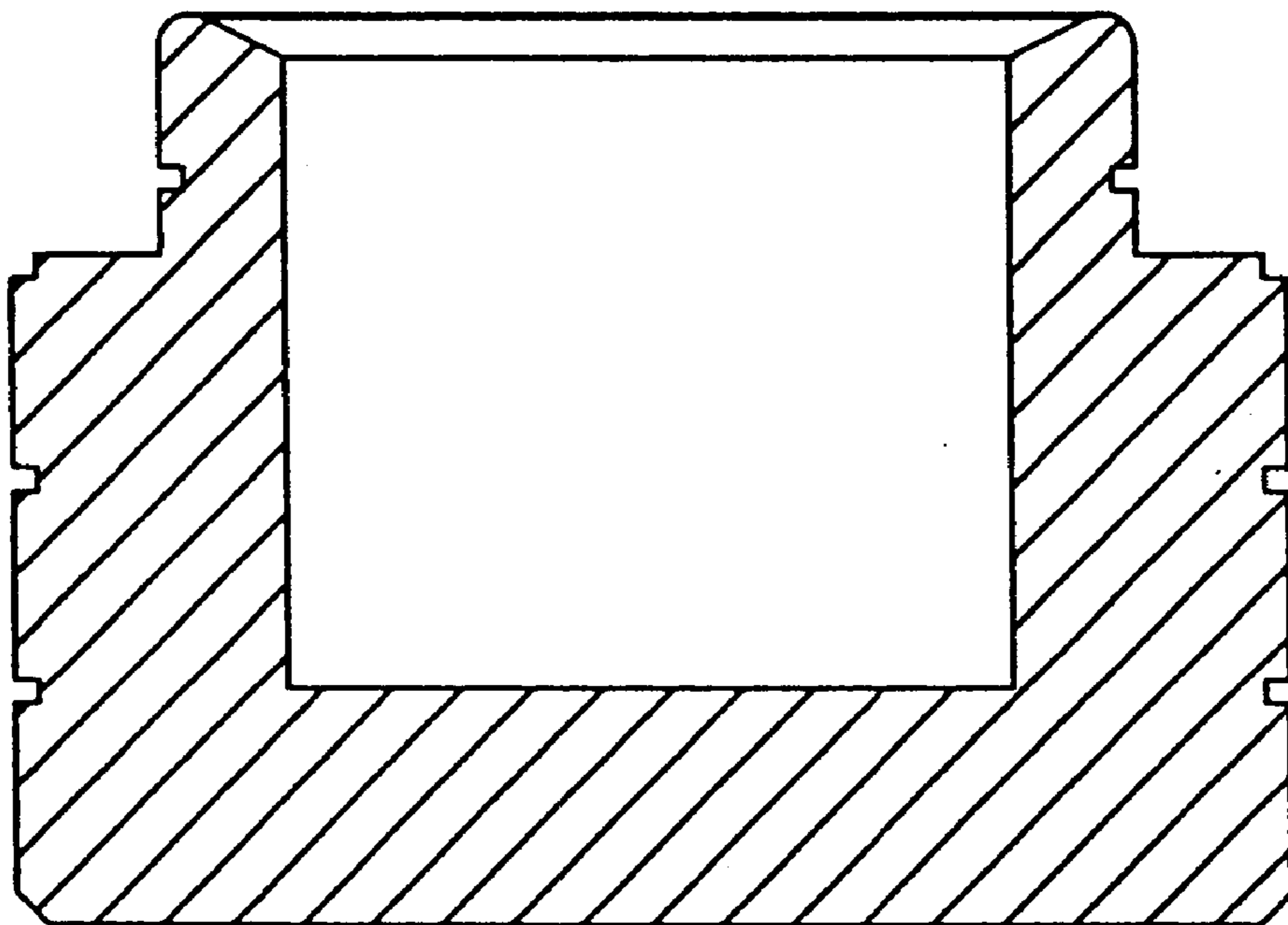
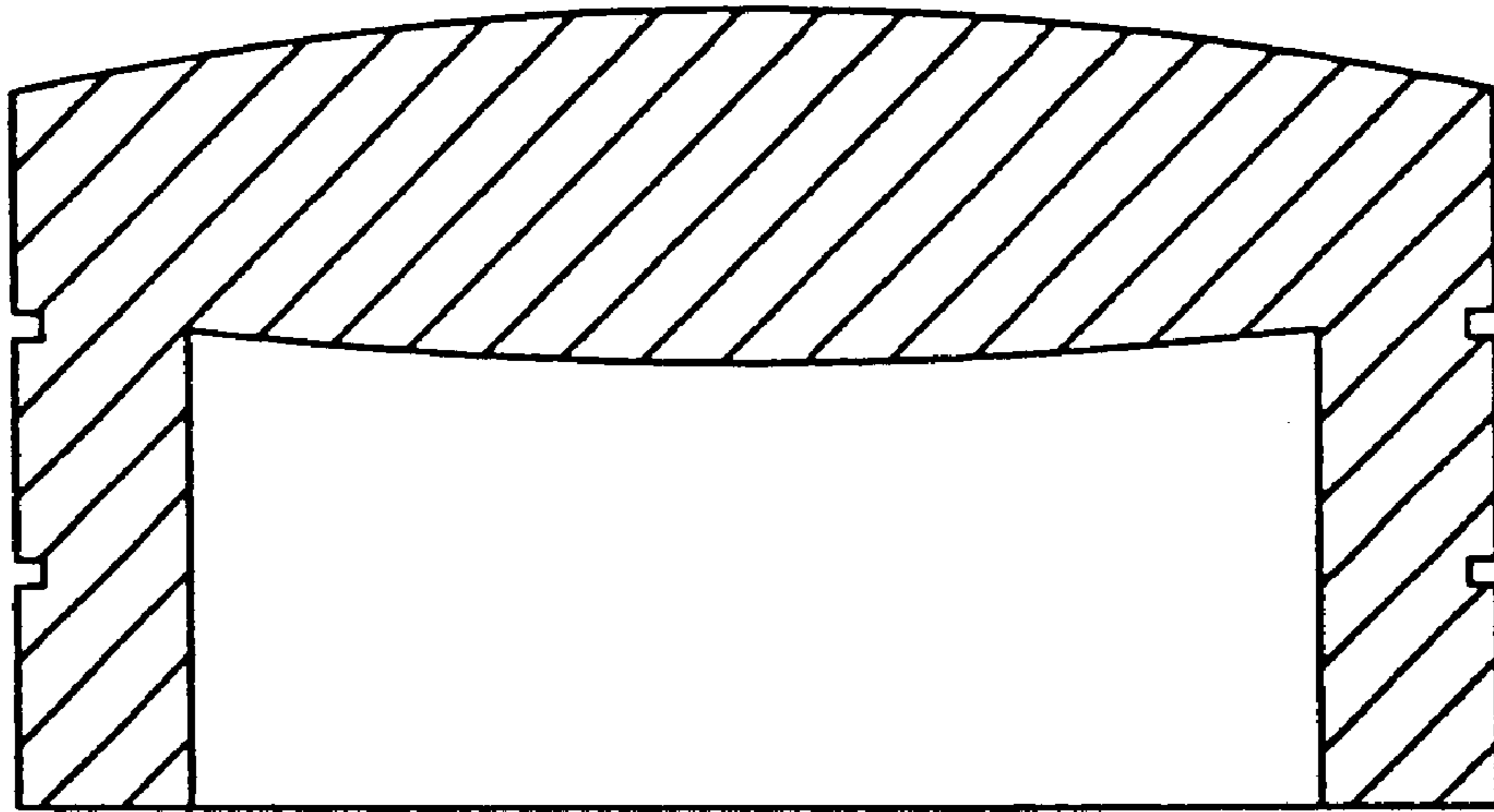


FIG. 8