



US00D474019S

(12) **United States Design Patent**
Nally

(10) **Patent No.:** **US D474,019 S**

(45) **Date of Patent:** **** May 6, 2003**

(54) **PRODUCT PACKAGING FOR SPORTING EQUIPMENT**

(75) Inventor: **Michael J. Nally**, Ridgewood, NJ (US)

(73) Assignee: **Sportcraft, Ltd.**, Mt. Olive, NJ (US)

(**) Term: **14 Years**

(21) Appl. No.: **29/160,157**

(22) Filed: **May 3, 2002**

D264,146 S	5/1982	Davis	
D276,953 S	* 1/1985	Weinreb	D3/268
D358,483 S	* 5/1995	Cross et al.	D3/276
D363,600 S	10/1995	Medlen	D3/254
D370,560 S	6/1996	Doerbaum	D3/254
5,642,809 A	7/1997	Mayville	206/204
D405,957 S	* 2/1999	Test	D3/289
D417,780 S	12/1999	Gunter	D3/254
6,009,996 A	* 1/2000	Purdy	206/317
D442,366 S	* 5/2001	Nally	D3/254
D446,937 S	* 8/2001	Mogil	D3/301
D459,878 S	* 7/2002	Nally	D3/254

Related U.S. Application Data

(62) Division of application No. 29/138,679, filed on Mar. 16, 2001, now Pat. No. Des. 459,878, which is a division of application No. 29/109,999, filed on Aug. 30, 1999, now Pat. No. Des. 442,366.

(51) **LOC (7) Cl.** **03-01**

(52) **U.S. Cl.** **D3/254; D3/287**

(58) **Field of Search** D3/254, 262, 269, D3/273, 276, 289, 301, 300; 206/315.1, 315.11, 317; 190/100, 109, 110, 111, 112

(56) **References Cited**

U.S. PATENT DOCUMENTS

3,292,747 A 12/1966 Dawson 190/43

* cited by examiner

Primary Examiner—Philip S. Hyder

(74) *Attorney, Agent, or Firm*—Fellers, Snider, Blankenship, Bailey & Tippens, P.C.

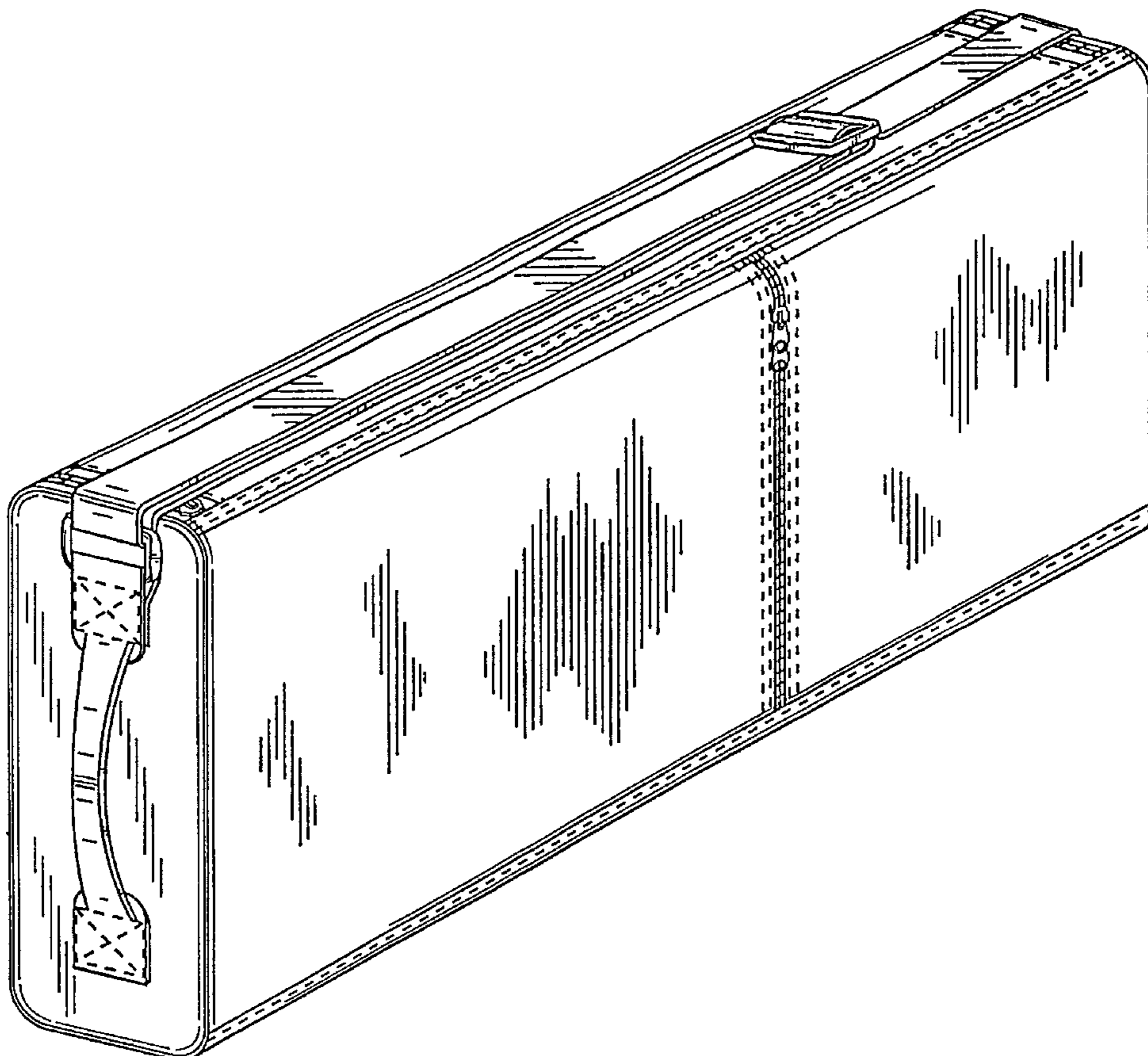
(57) **CLAIM**

The ornamental design for a product packaging for sporting equipment, as shown.

DESCRIPTION

FIG. 1 is a perspective view of a product packaging for sporting equipment showing my new design.

1 Claim, 1 Drawing Sheet



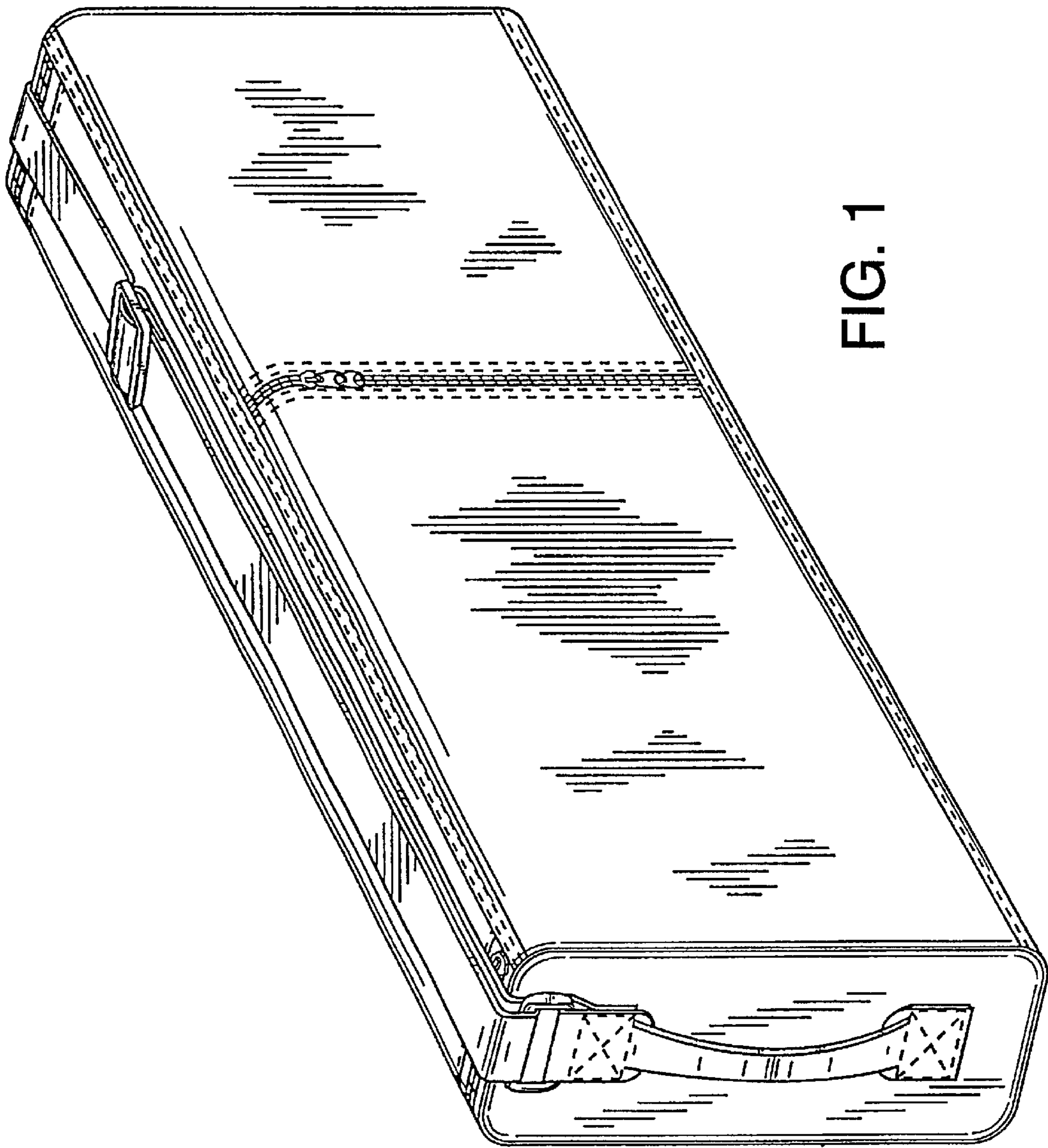


FIG. 1