



US00D474017S

(12) **United States Design Patent**
Burns

(10) **Patent No.:** **US D474,017 S**

(45) **Date of Patent:** **** May 6, 2003**

(54) **CARRYING POUCH FOR SMALL ARTICLES**

D456,600 S * 5/2002 Gadson D3/208
D464,793 S * 10/2002 Anderton D3/215

(75) Inventor: **Michael W. Burns**, Hudson, OH (US)

* cited by examiner

(73) Assignee: **Quikey Manufacturing Co., Inc.**,
Akron, OH (US)

Primary Examiner—Catherine R. Oliver
(74) *Attorney, Agent, or Firm*—Reese Taylor

(**) Term: **14 Years**

(57) **CLAIM**

(21) Appl. No.: **29/163,489**

The ornamental design for carrying pouch for small articles,
as shown and described.

(22) Filed: **Jul. 8, 2002**

DESCRIPTION

(51) **LOC (7) Cl.** **03-01**

FIG. 1 is a perspective view showing my carrying pouch for
small articles.

(52) **U.S. Cl.** **D3/226; D3/212**

FIG. 2 is a top plan view thereof.

(58) **Field of Search** D3/215, 224, 226,
D3/207–212, 218; 70/456 R, 456–458;
24/3.6, 3.11, 3.12

FIG. 3 is a front elevational view thereof.

FIG. 4 is a rear elevational view thereof.

FIG. 5 is a bottom plan view thereof.

FIG. 6 is a side elevational view taken from the left of FIG.
3; and,

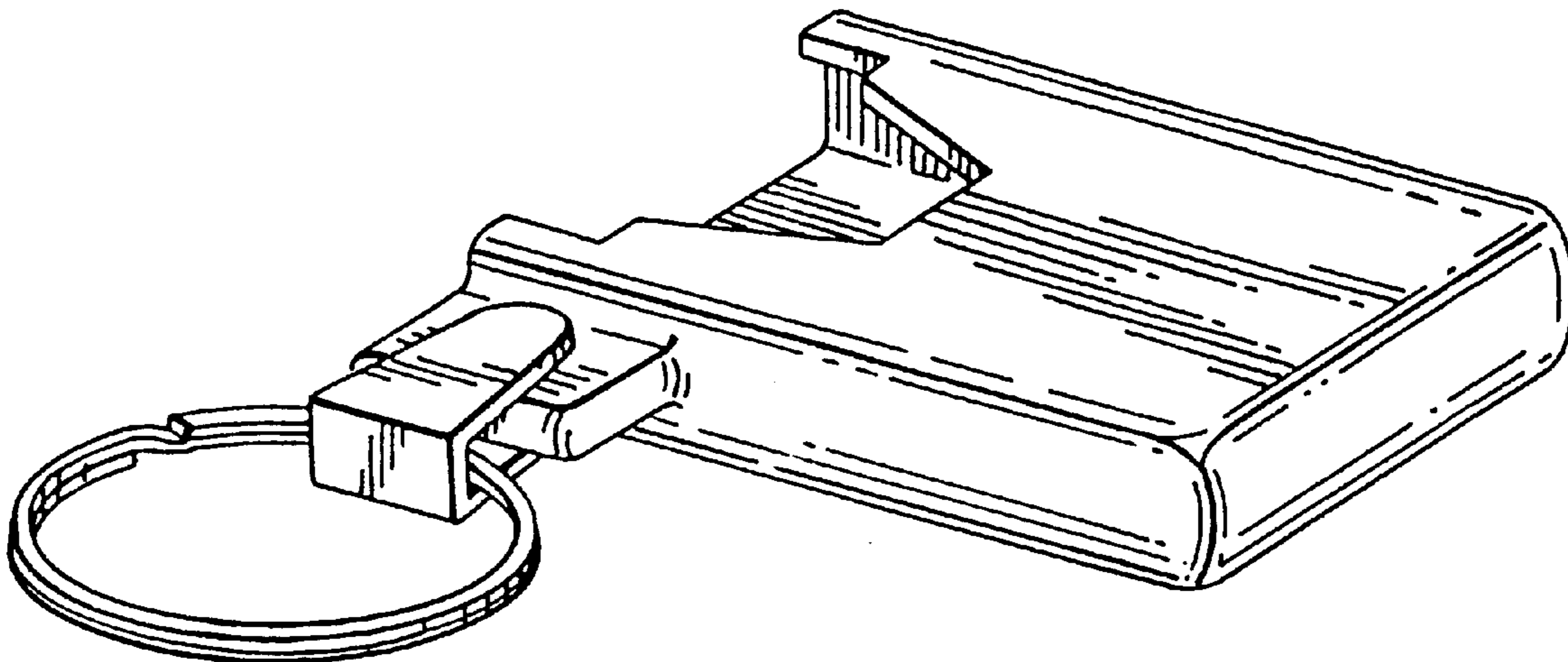
FIG. 7 is a side elevational view taken from the right of FIG.
3.

(56) **References Cited**

U.S. PATENT DOCUMENTS

2,564,918 A * 8/1951 Old 70/456 R
5,850,754 A * 12/1998 Dobbins 70/456 R
5,937,681 A * 8/1999 Myhr et al. 70/456 R

1 Claim, 2 Drawing Sheets



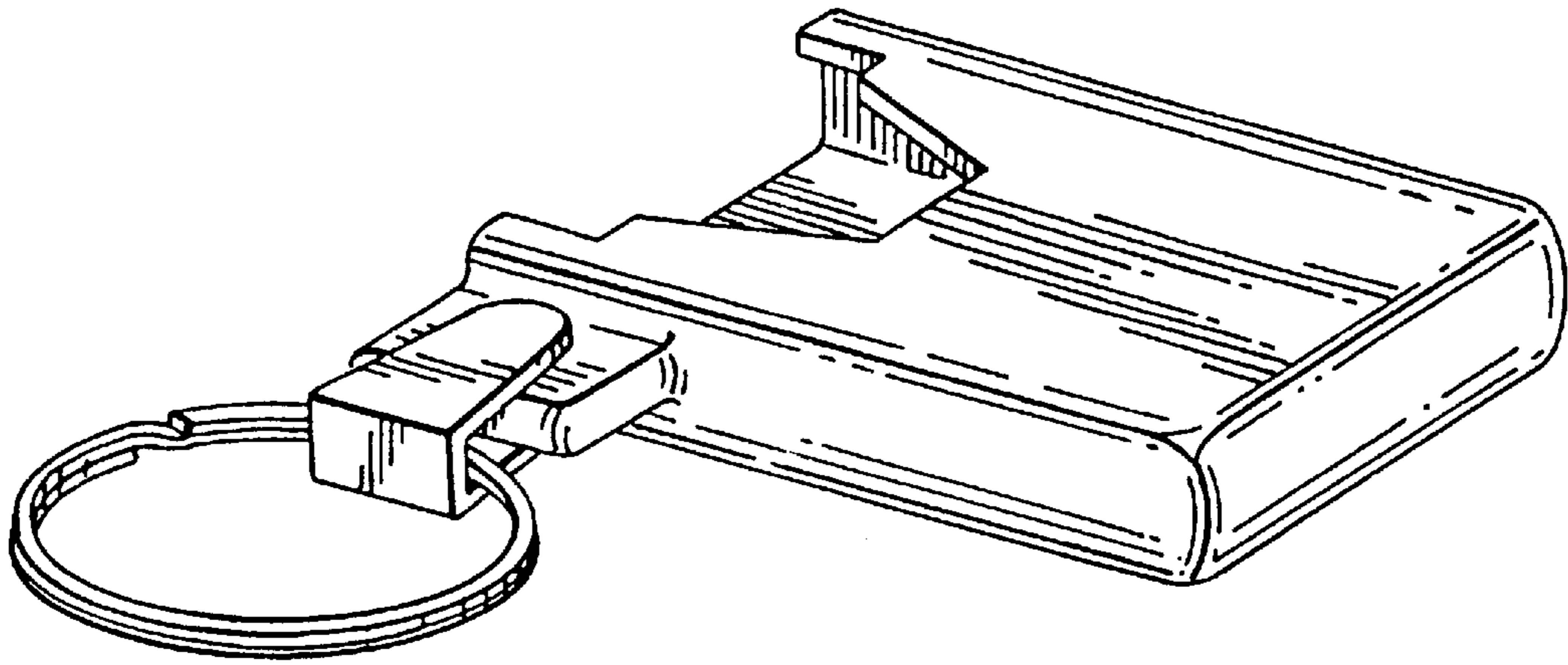


FIG. 1

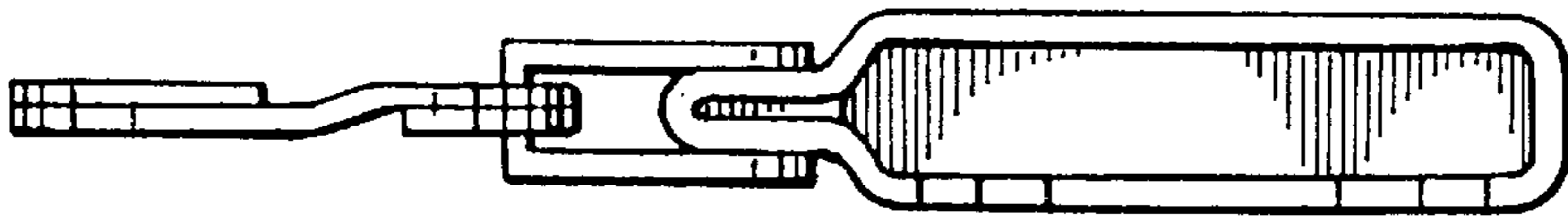


FIG. 2

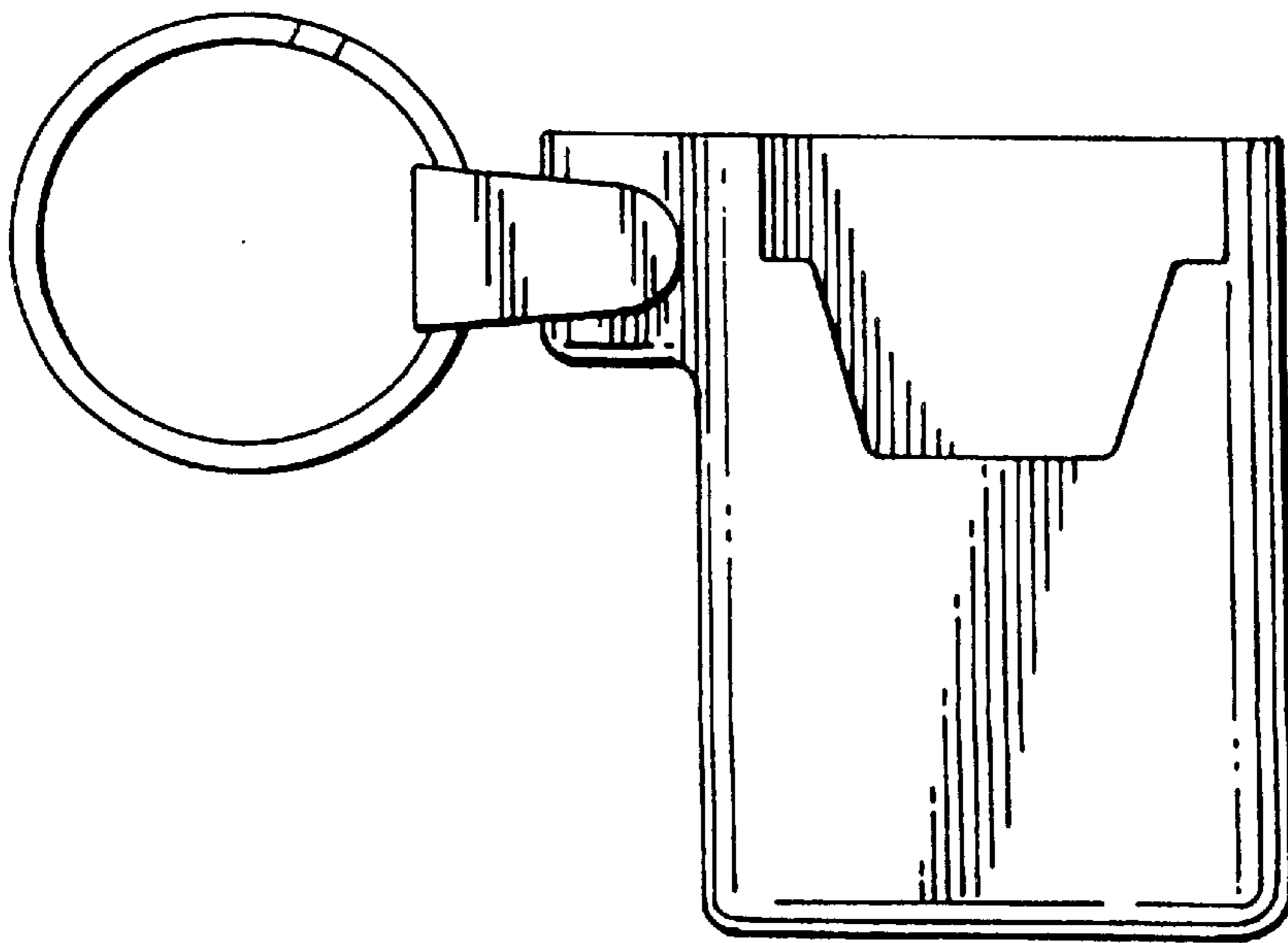


FIG. 3

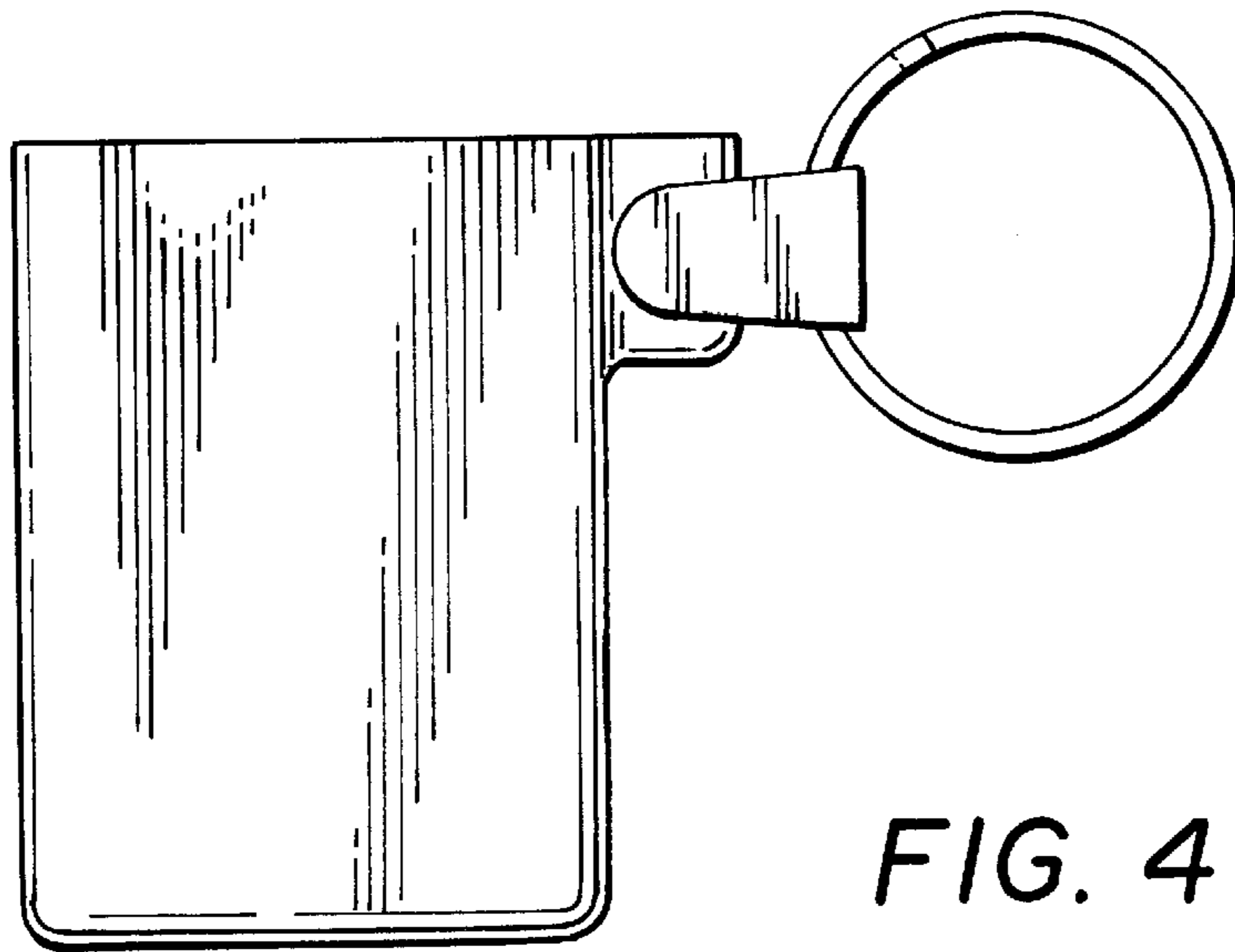


FIG. 4



FIG. 5

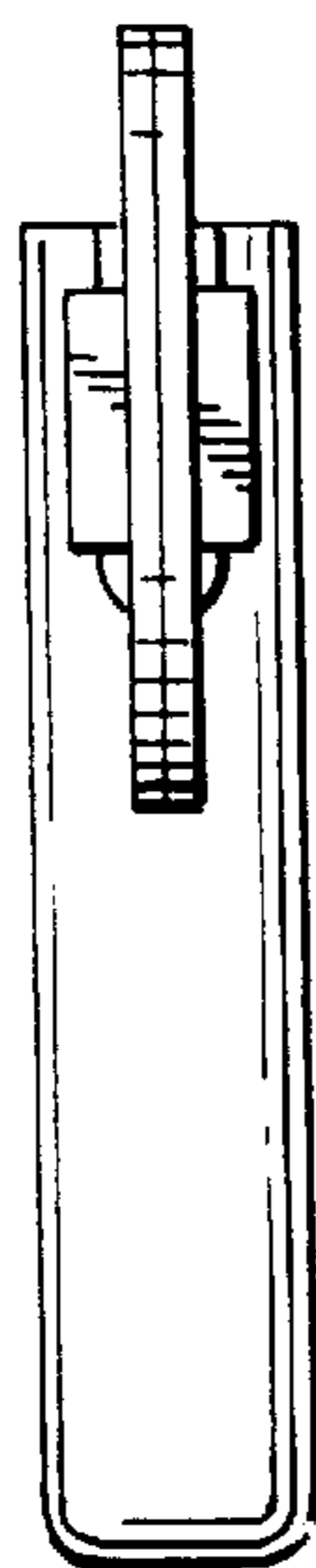


FIG. 6

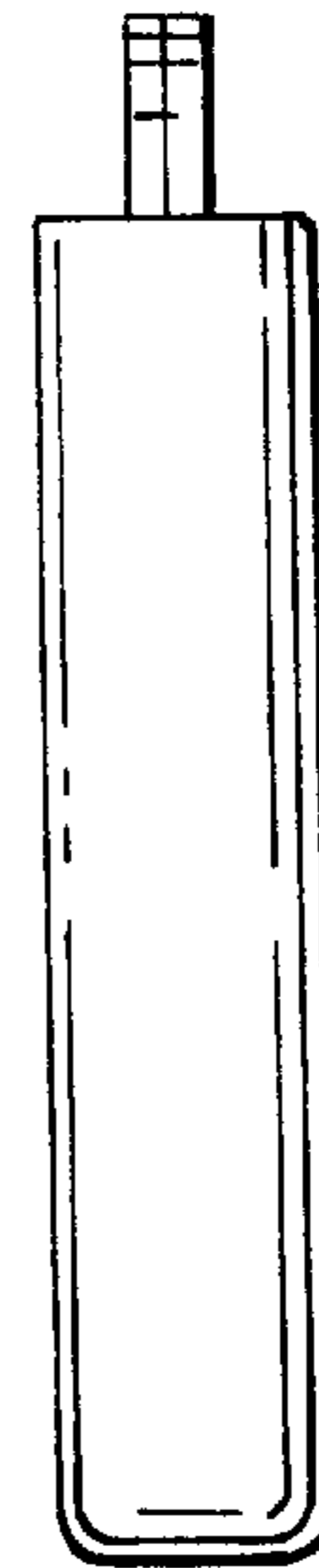


FIG. 7