



US00D474014S

(12) **United States Design Patent** (10) **Patent No.:** **US D474,014 S**
Barnard et al. (45) **Date of Patent:** **** May 6, 2003**

(54) **SCHOOL SUPPLY BOX**

(75) Inventors: **David E. Barnard**, St. Paul, MN (US);
Cory R. Boudreau, Madison, WI (US);
Christa R. Walter, Lake Mills, WI (US)

(73) Assignee: **Berol Corporation**, Freeport, IL (US)

(**) Term: **14 Years**

(21) Appl. No.: **29/150,917**

(22) Filed: **Nov. 15, 2001**

(51) **LOC (7) Cl.** **03-01**

(52) **U.S. Cl.** **D3/206**

(58) **Field of Search** D3/201, 206, 273,
D3/282, 294, 302, 318; D9/420, 422, 431;
D21/483; 206/1.7, 214, 224, 371, 372,
565, 575; 220/528, 608; 312/244; D19/35,
75, 82, 83

(56) **References Cited**

U.S. PATENT DOCUMENTS

4,216,860 A * 8/1980 Heimann 206/565 X
D330,914 S 11/1992 Muller 19/77
D335,896 S 5/1993 Evenson 19/83
D354,653 S * 1/1995 Melk D3/201
D355,360 S 2/1995 Mund et al. 9/423
D371,962 S 7/1996 Petruzzi 9/423
D393,368 S * 4/1998 Wyant D3/201
D397,865 S * 9/1998 Lin D3/318
D411,040 S 6/1999 Gilbertsom et al. 3/294

D427,428 S * 7/2000 Demsien et al. D3/201 X
D431,461 S * 10/2000 Glassman D3/201
D443,761 S 6/2001 Lindeman et al. 3/273
D447,633 S 9/2001 Demsien et al. 3/294

OTHER PUBLICATIONS

Dollar Tree Schoolbox, Plastic Pencil Box sold by Dollar Tree Distributors of Chesapeake, VA, purchased Sep. 19, 2001 at Dollar Tree store.

* cited by examiner

Primary Examiner—Louis S. Zarfes

Assistant Examiner—Monica A. Weingart

(74) *Attorney, Agent, or Firm*—Marshall, Gerstein & Borun

(57) **CLAIM**

We claim the ornamental design for a school supply box, as shown and described.

DESCRIPTION

FIG. 1 is a perspective view of exemplary embodiment of an ornamental design of a school supply box; FIG. 2 is a top plan view thereof; FIG. 3 is a front elevational view thereof; FIG. 4 is a left end elevational view thereof; FIG. 5 is a right end elevational view thereof; and, FIG. 6 is a rear elevational view thereof.

The ornamental design which is claimed is shown in solid lines in the drawings. The broken lines in the drawings are for illustrative purposes only and form no part of the claimed design.

1 Claim, 3 Drawing Sheets

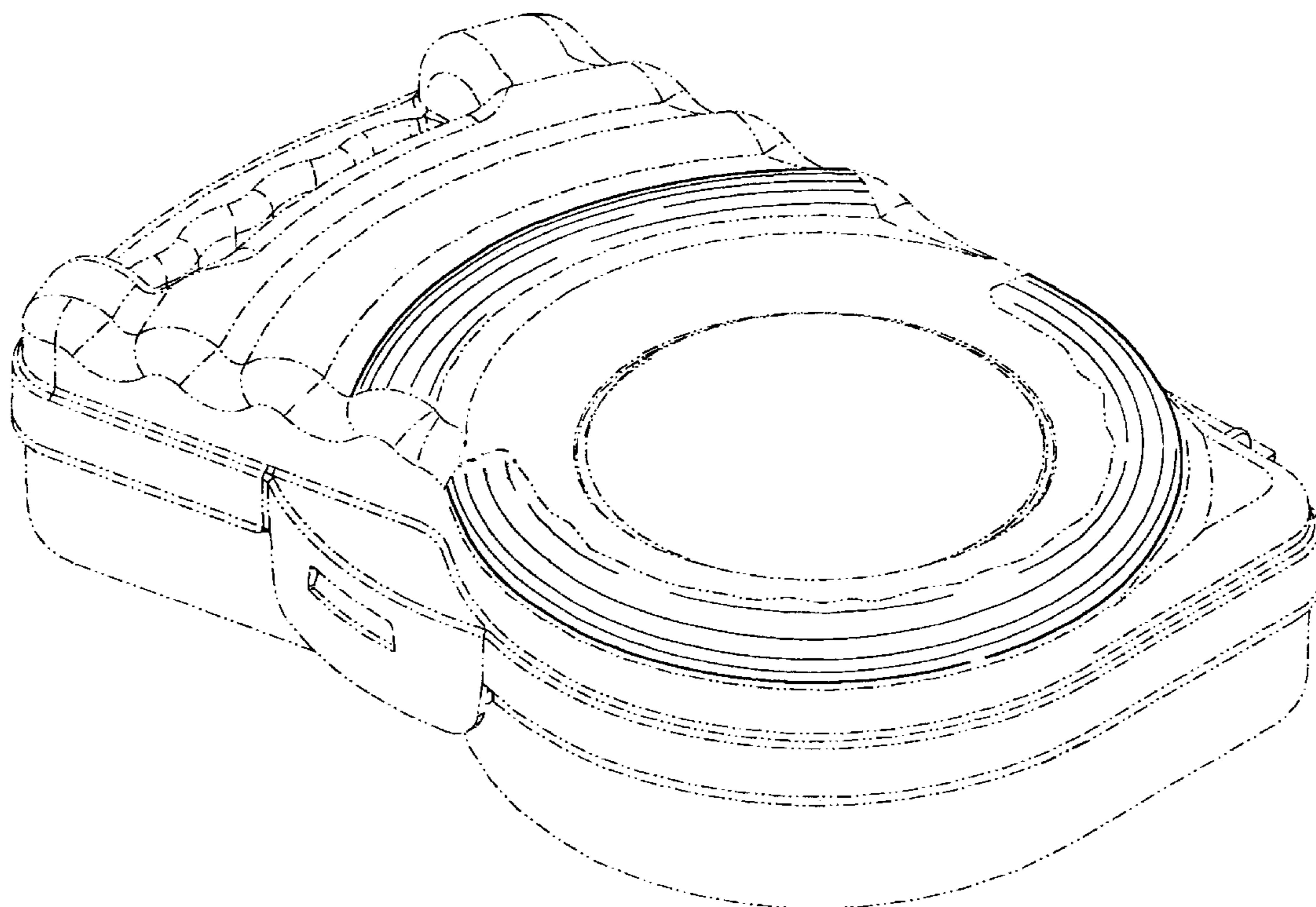
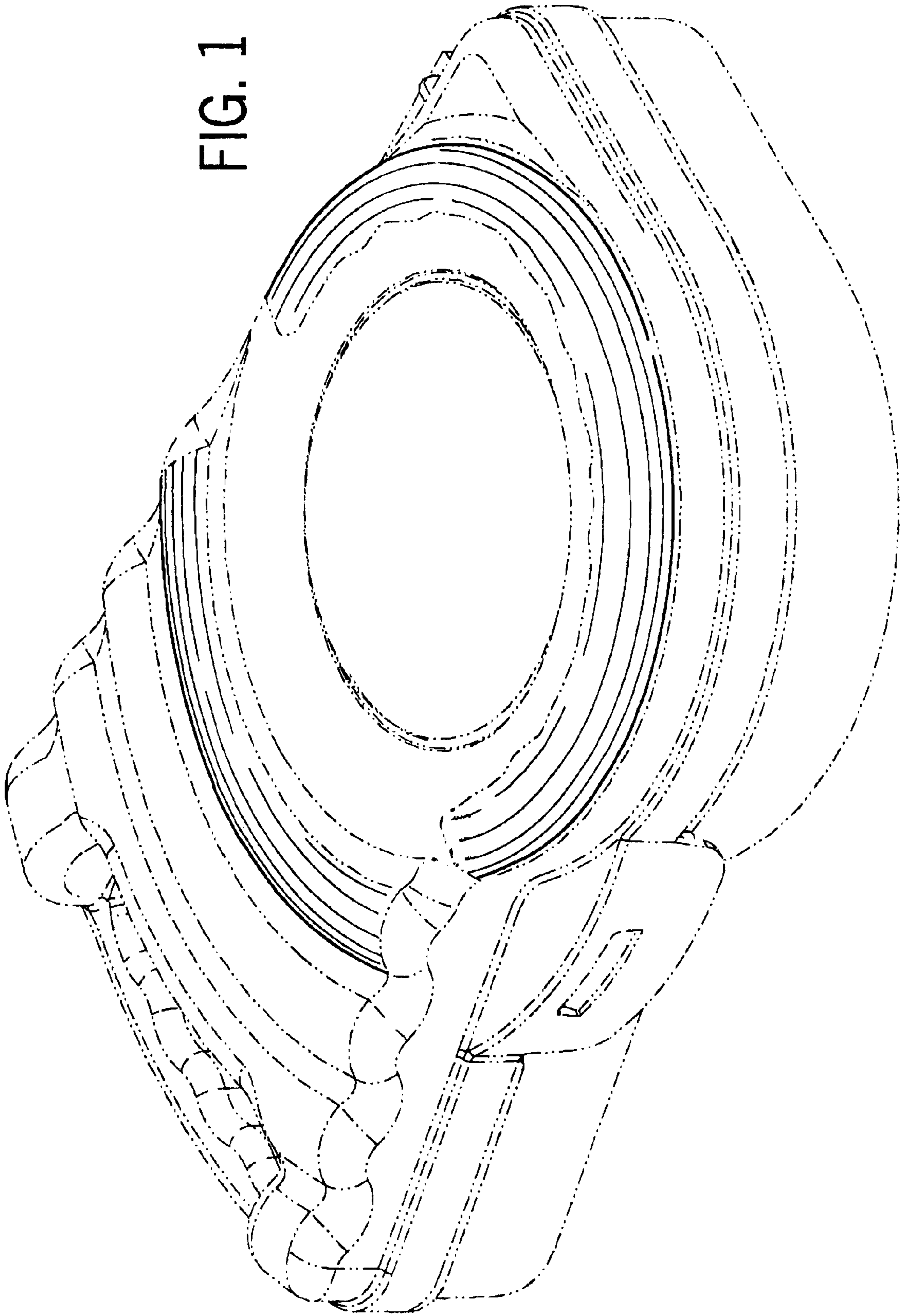


FIG. 1



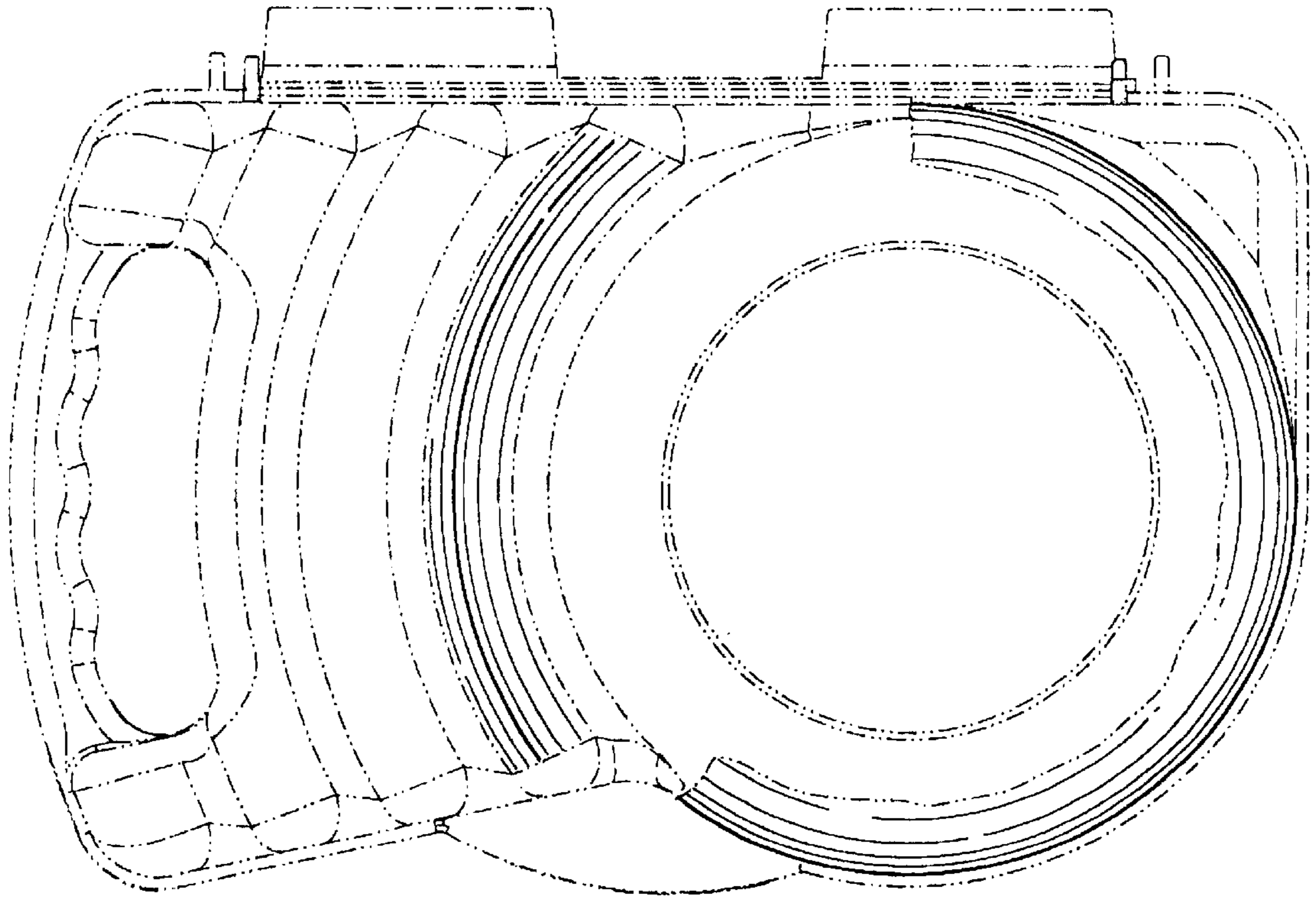


FIG. 2

FIG. 3

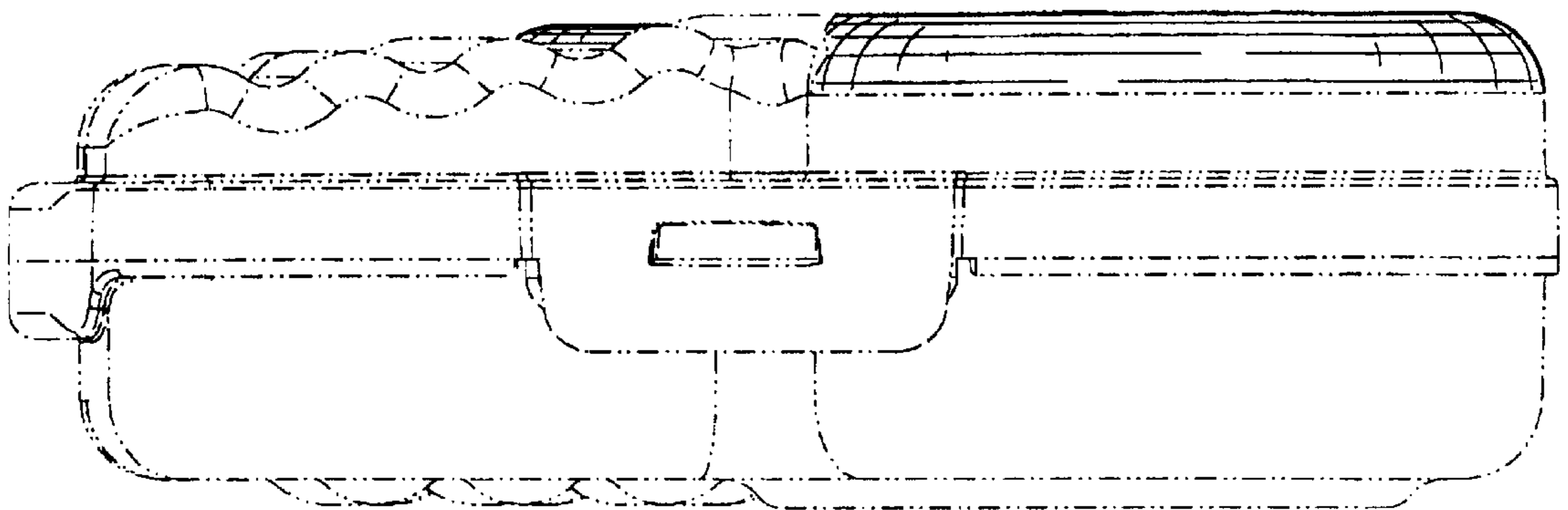


FIG. 4

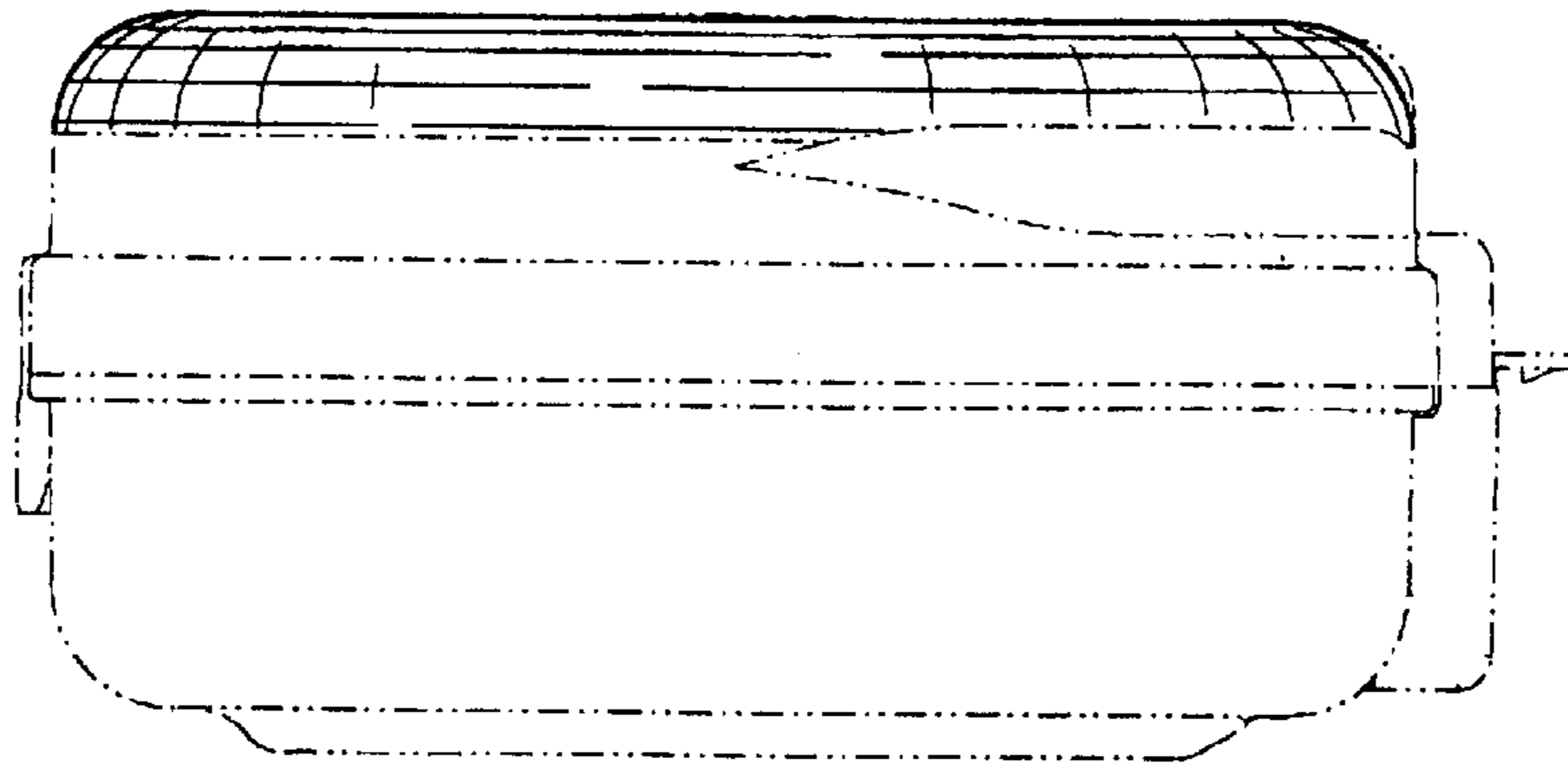


FIG. 5

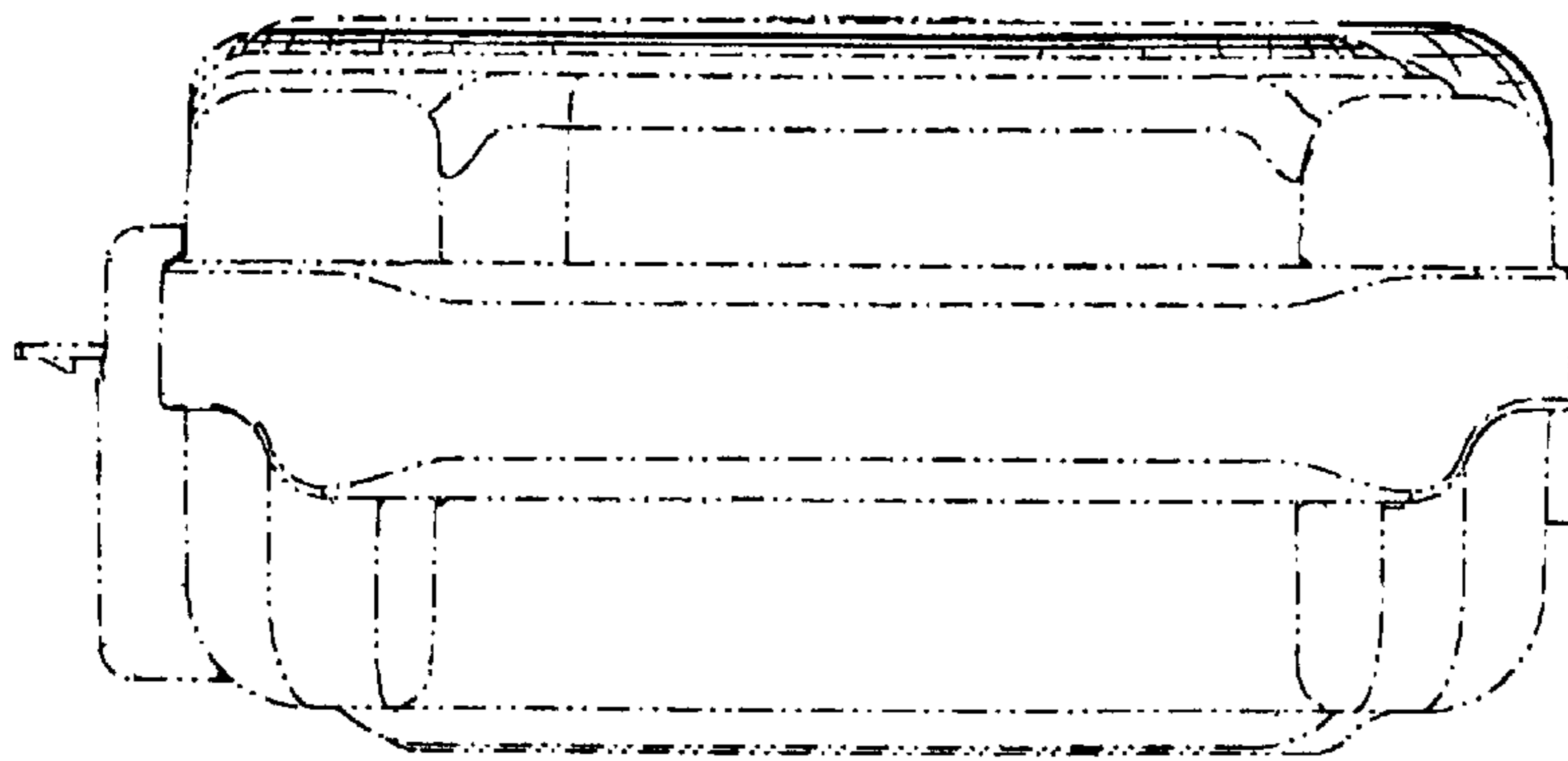


FIG. 6

