



US00D474012S

(12) **United States Design Patent**
Beltran et al.

(10) **Patent No.:** **US D474,012 S**

(45) **Date of Patent:** **** May 6, 2003**

(54) **UMBRELLA HOLDER**

(76) Inventors: **Rudolfo G. Beltran**, 1899 Pisa Cir., Stockton, CA (US) 95206; **Betty L. Beltran**, 1899 Pisa Cir., Stockton, CA (US) 95206

(**) Term: **14 Years**

(21) Appl. No.: **29/165,880**

(22) Filed: **Aug. 19, 2002**

(51) **LOC (7) Cl.** **03-03**

(52) **U.S. Cl.** **D3/10**

(58) **Field of Search** D3/5, 6, 10, 12, D3/13, 14, 16; 135/98, 15.1, 16, 22, 24, 65, 910, 911

(56) **References Cited**

U.S. PATENT DOCUMENTS

4,258,735 A * 3/1981 Meade 135/65
D321,087 S * 10/1991 Fadell D3/10

* cited by examiner

Primary Examiner—Louis S. Zarfes
Assistant Examiner—Robert A. Delehanty
(74) *Attorney, Agent, or Firm*—Basil Travis

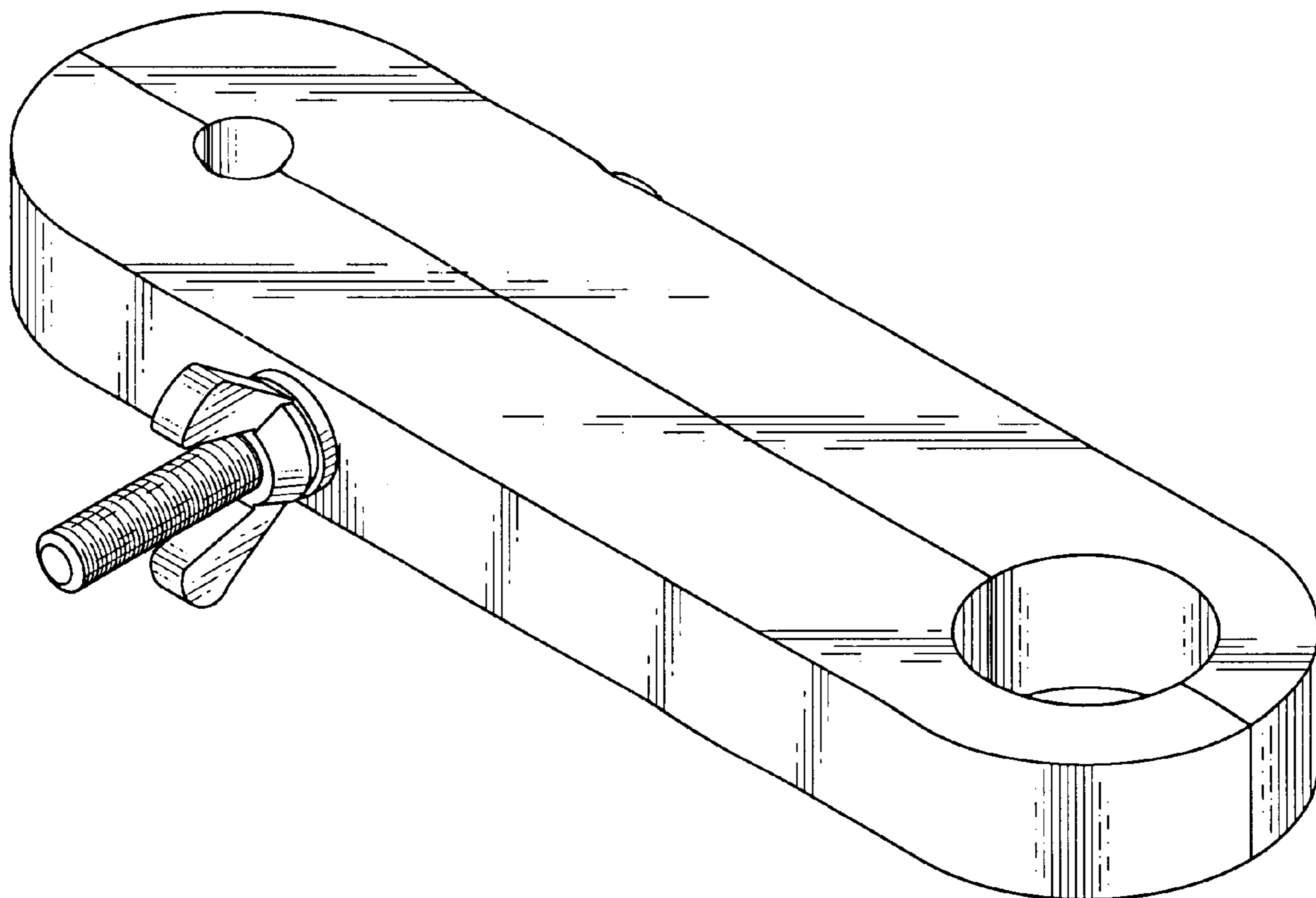
(57) **CLAIM**

The ornamental design for an umbrella holder, as shown and described.

DESCRIPTION

FIG. 1 is a top and side perspective view of an umbrella holder showing our new design
FIG. 2 is a top plan view, the bottom being a mirror image thereof;
FIG. 3 is a left side elevational view;
FIG. 4 is a right side elevational view;
FIG. 5 is a front elevational view, the rear being a mirror image thereof; and,
FIG. 6 is a topside perspective view showing the umbrella holder on a reduced scale in condition of use with a chair, the broken lines of which are for illustrative purposes and form no part of the claimed design, thereof.

1 Claim, 2 Drawing Sheets



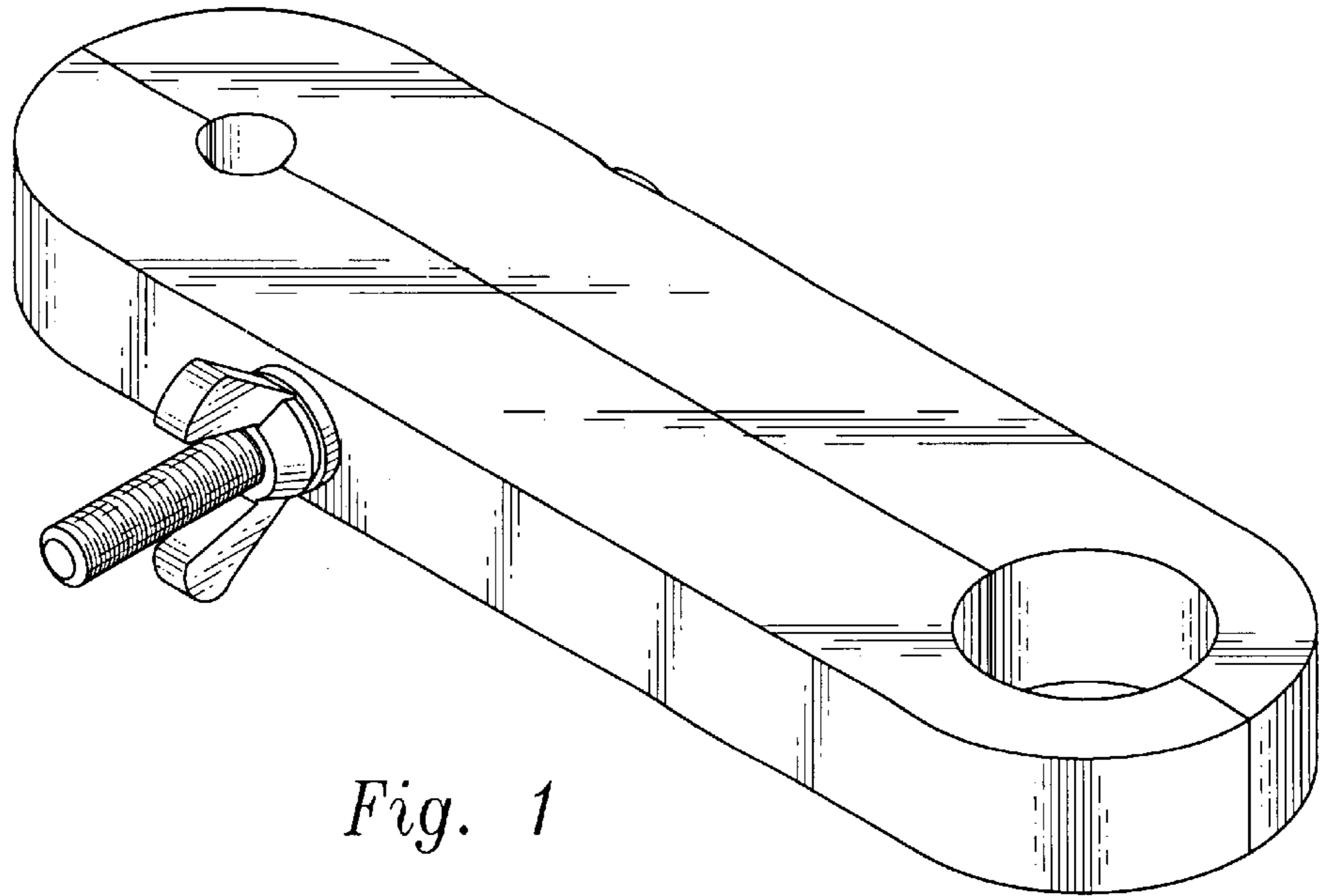


Fig. 1

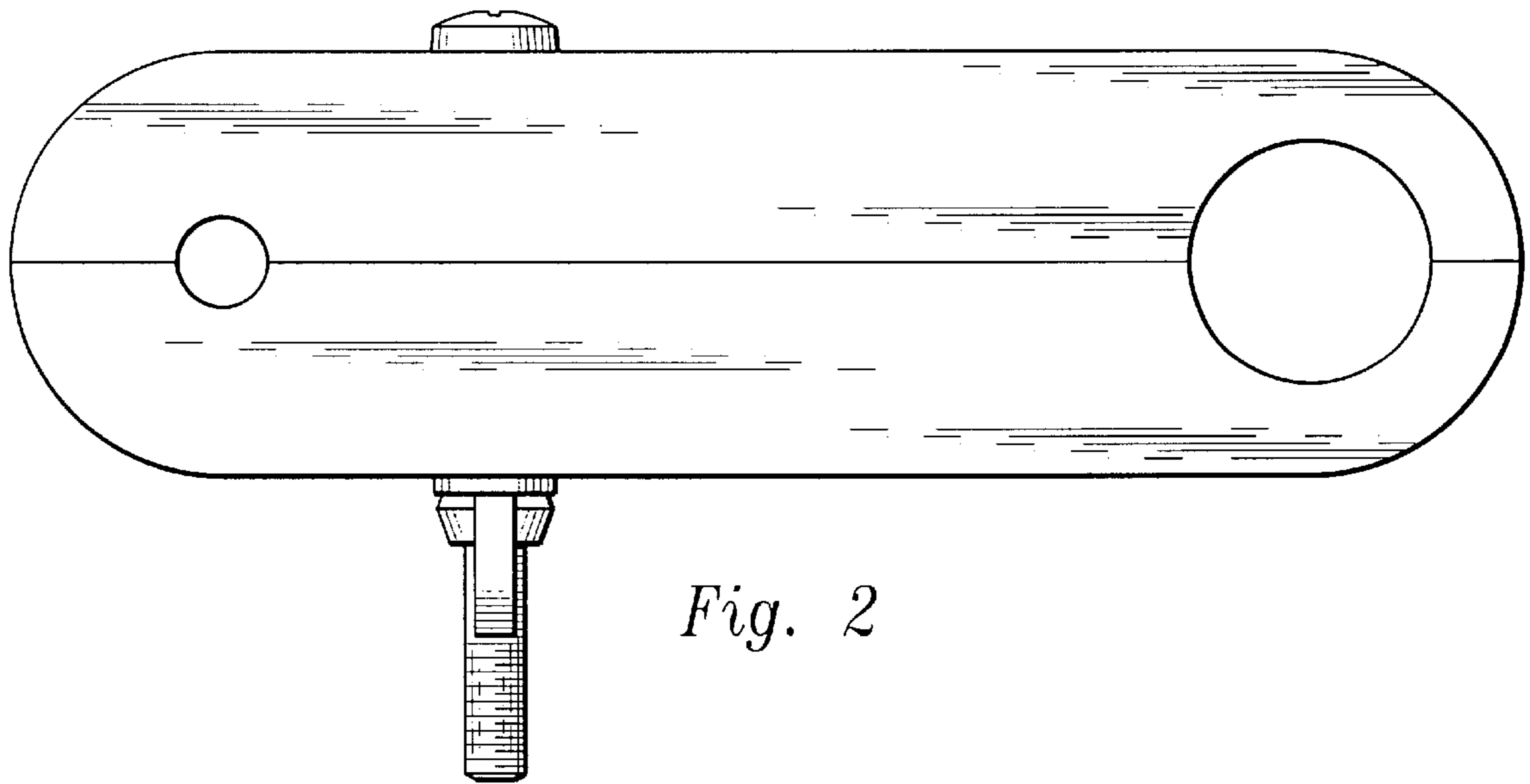


Fig. 2

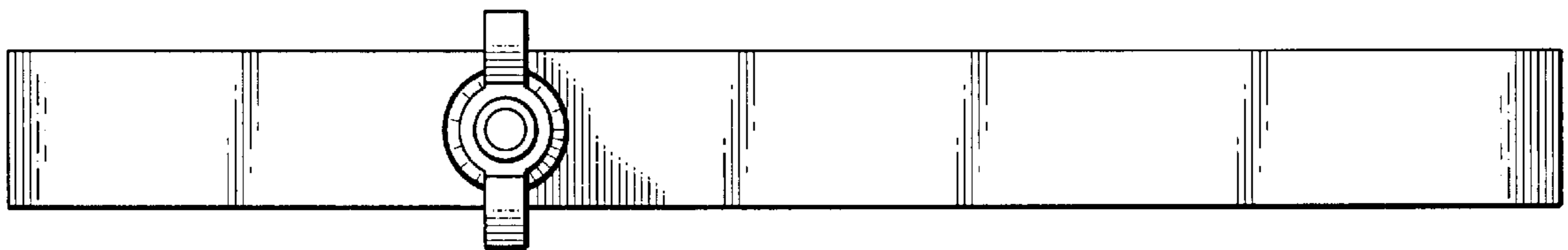


Fig. 3

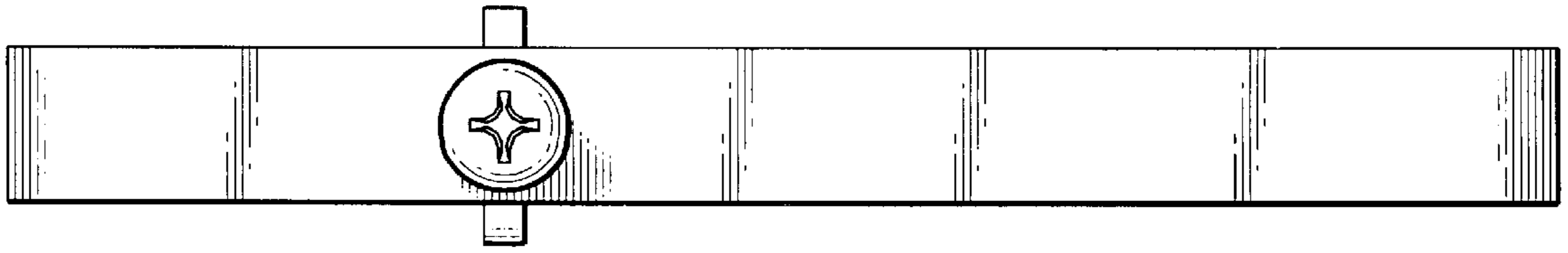


Fig. 4

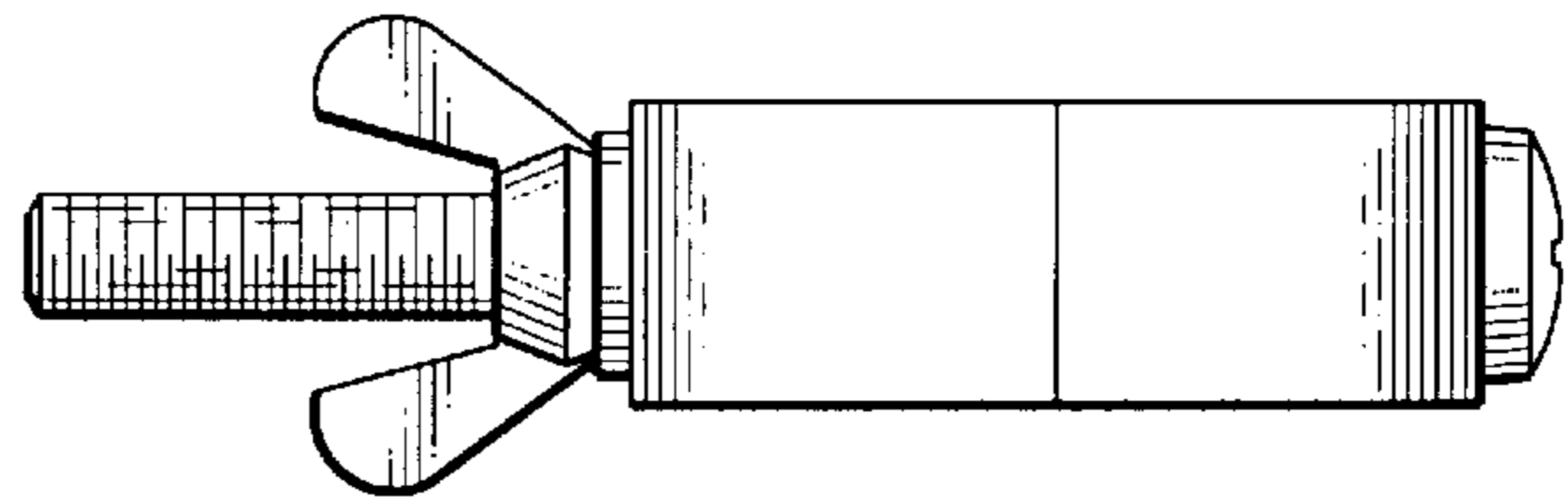


Fig. 5

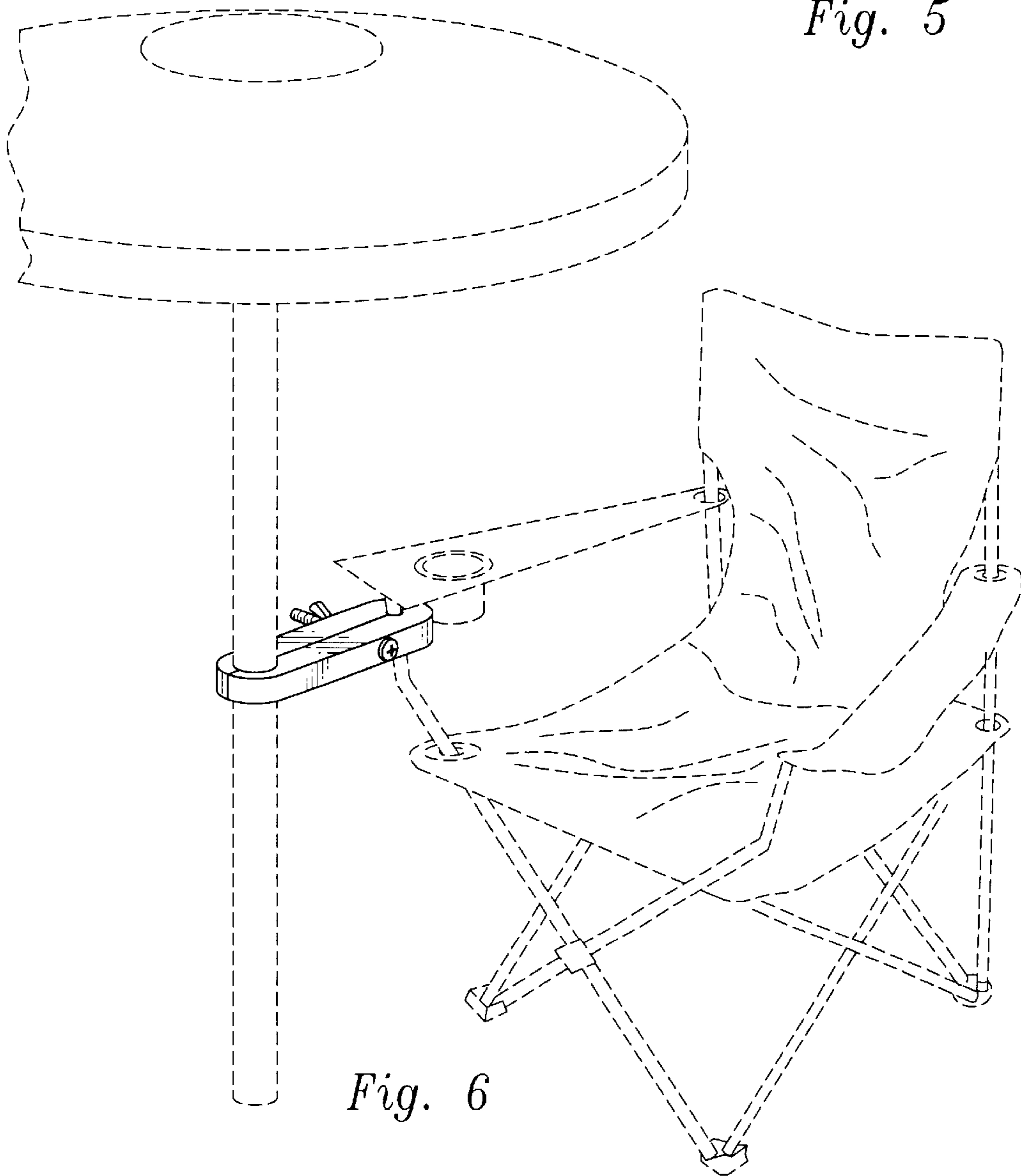


Fig. 6