



US00D473989S

(12) **United States Design Patent**  
**Hittle**

(10) **Patent No.:** **US D473,989 S**

(45) **Date of Patent:** **\*\* Apr. 29, 2003**

(54) **UTILITY CART**

(76) **Inventor:** **David Christopher Hittle, 3578**  
Flatrock River Rd., Rushville, IN (US)  
46173

(\*\*) **Term:** **14 Years**

(21) **Appl. No.:** **29/166,210**

(22) **Filed:** **Aug. 23, 2002**

(51) **LOC (7) Cl.** ..... **12-02**

(52) **U.S. Cl.** ..... **D34/18; D34/24**

(58) **Field of Search** ..... **D34/12-27; 280/47.17,**  
**280/47.18, 47.19, 47.26, 47.27, 47.34, 5.32,**  
**654, 79.11, 79.3**

(56) **References Cited**

**U.S. PATENT DOCUMENTS**

D230,142 S \* 1/1974 Muellner ..... D34/18  
5,464,234 A \* 11/1995 Ferguson ..... 280/5.32  
D367,348 S \* 2/1996 Basharat ..... D34/18

D423,174 S \* 4/2000 Burr ..... D34/24  
D454,240 S \* 3/2002 Wells ..... D34/18  
D465,313 S \* 11/2002 Le Marchand ..... D34/18

\* cited by examiner

*Primary Examiner*—Kay H. Chin  
(74) *Attorney, Agent, or Firm*—Woodard, Emhardt,  
Naughton, Moriarty & McNett LLP

(57) **CLAIM**

The ornamental design for a utility cart, as shown and described.

**DESCRIPTION**

FIG. 1 is a perspective view of a utility cart showing my new design.

FIG. 2 is a rear elevational view there.

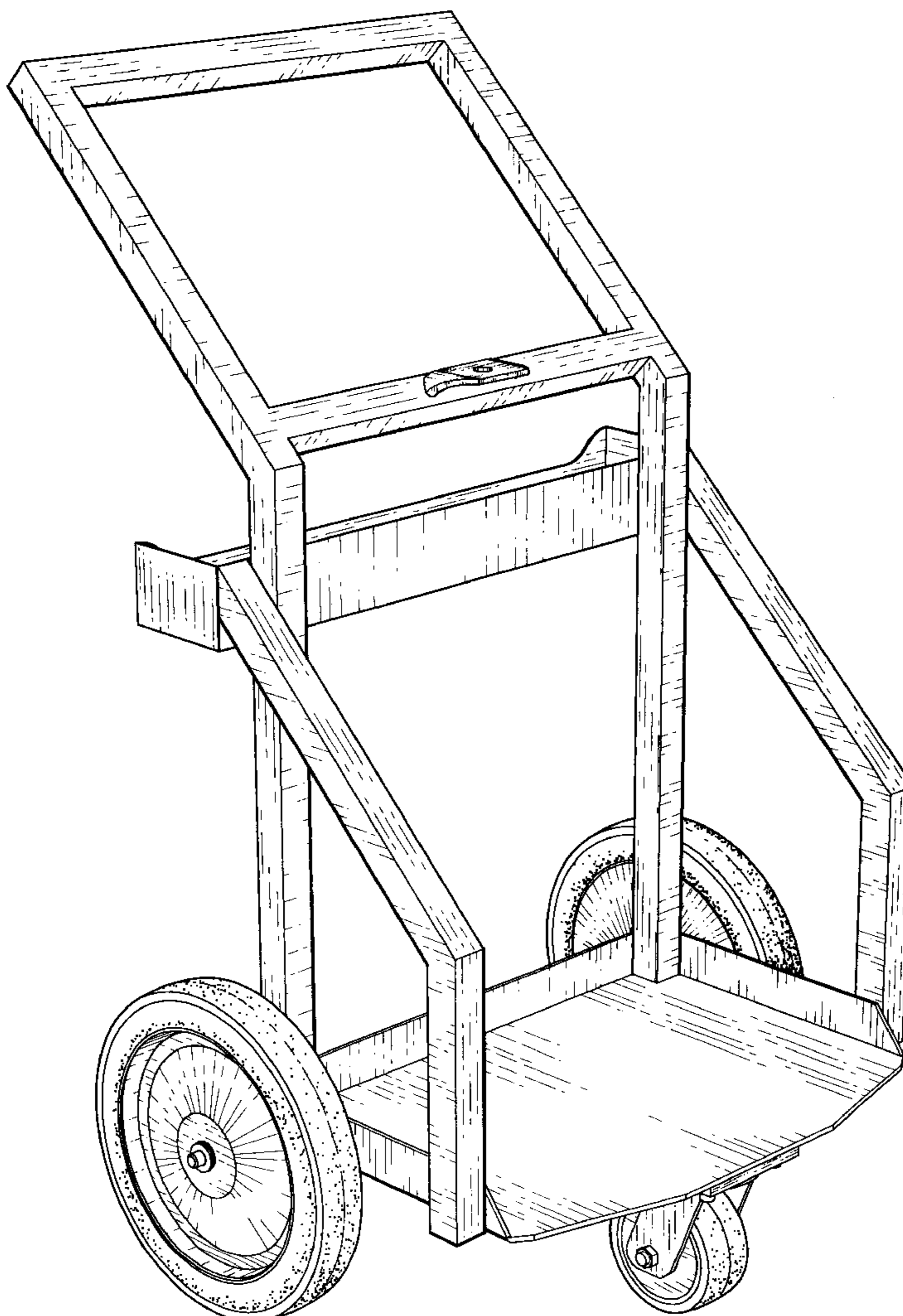
FIG. 3 is a left side elevational view thereof.

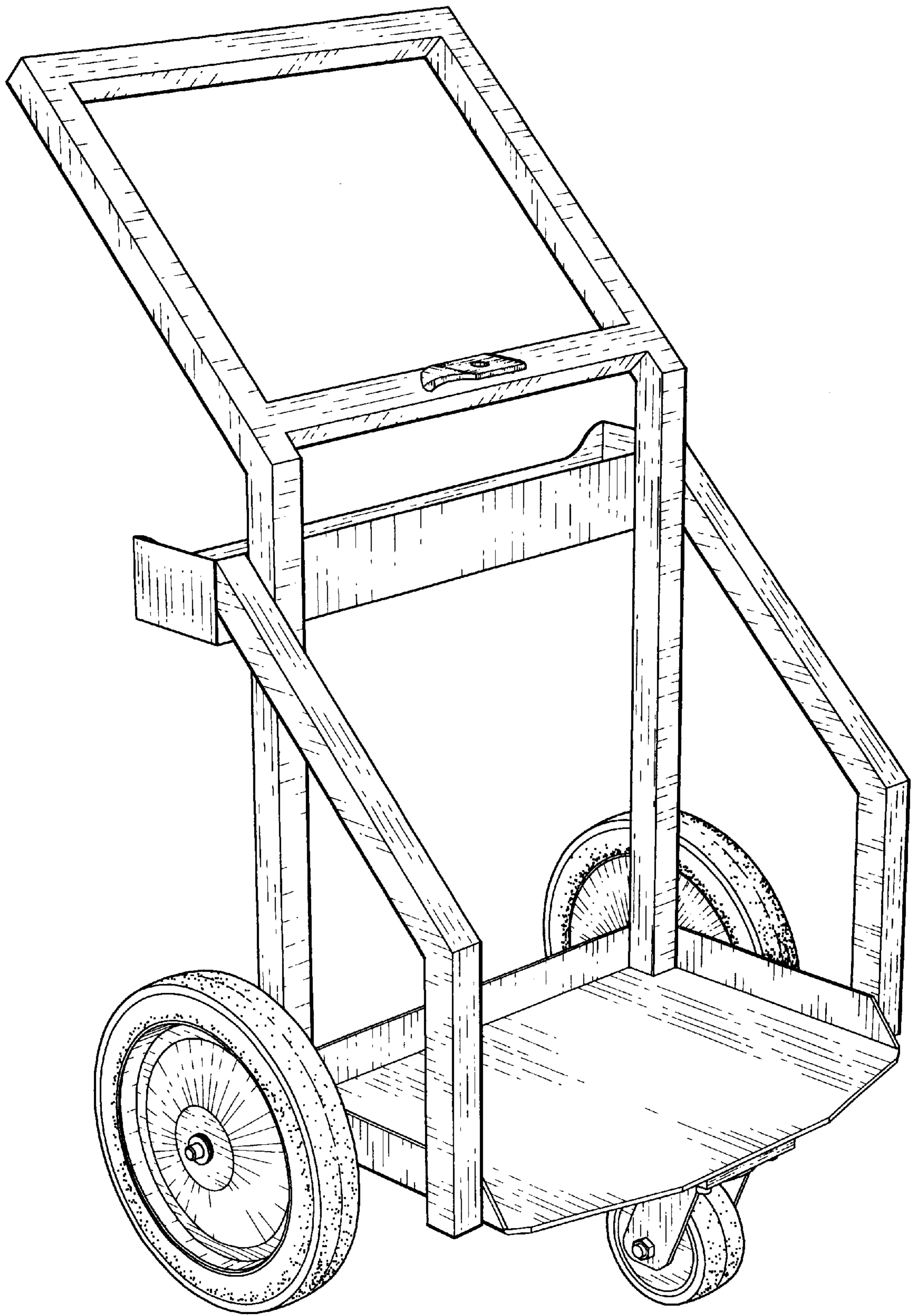
FIG. 4 is a top plan view thereof.

FIG. 5 is a front elevational view thereof; and,

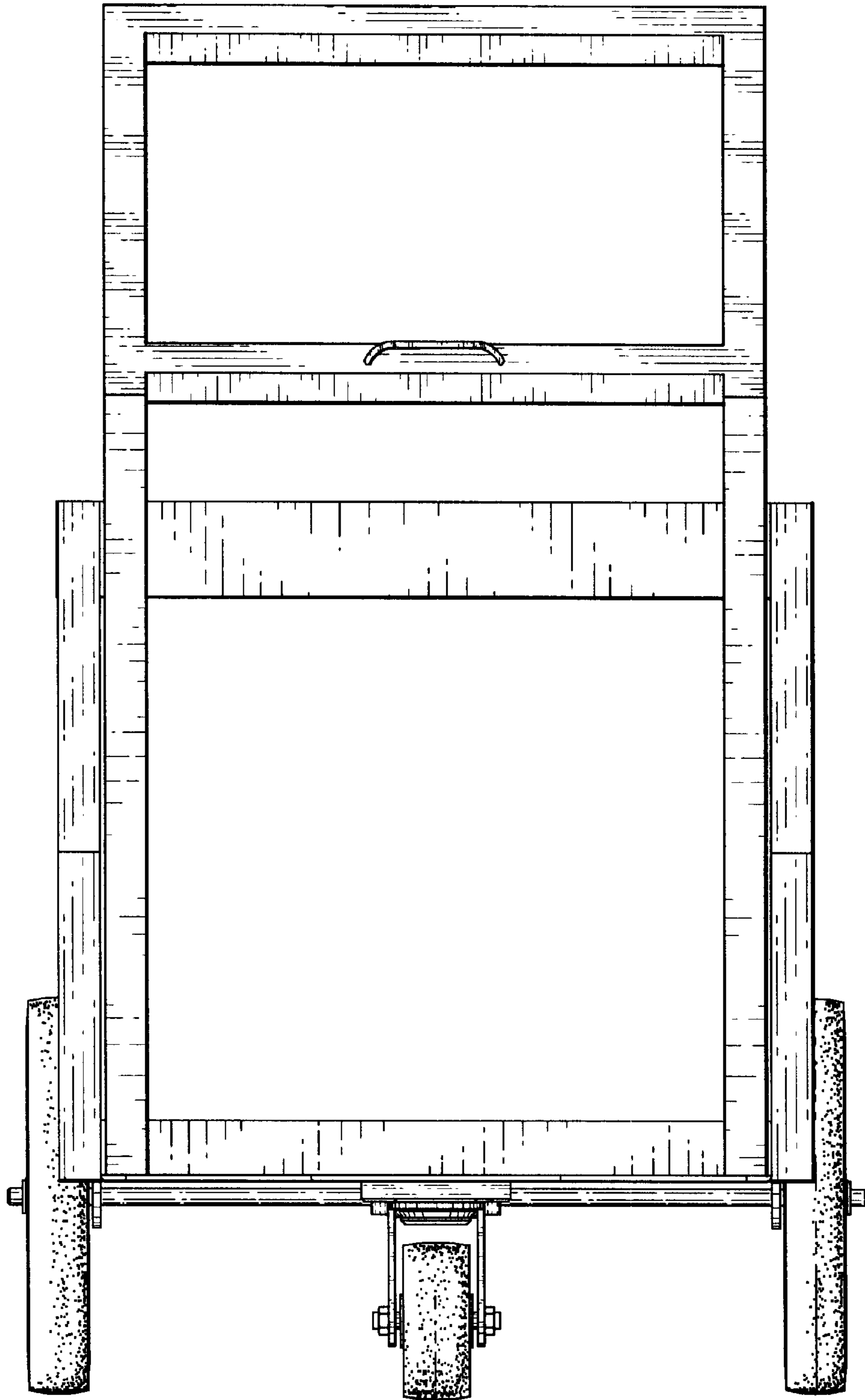
FIG. 6 is a top plan elevational view thereof.

**1 Claim, 5 Drawing Sheets**

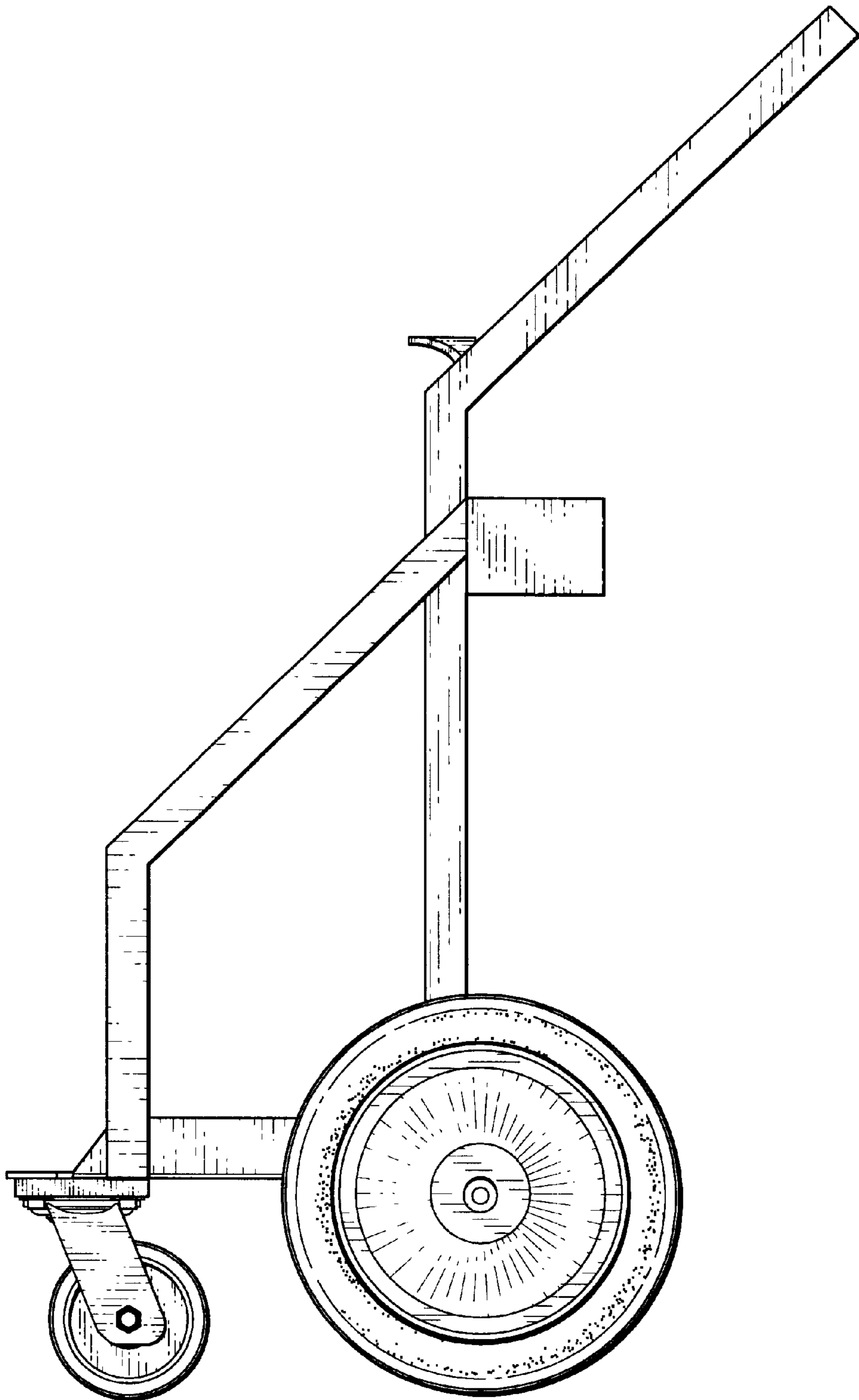




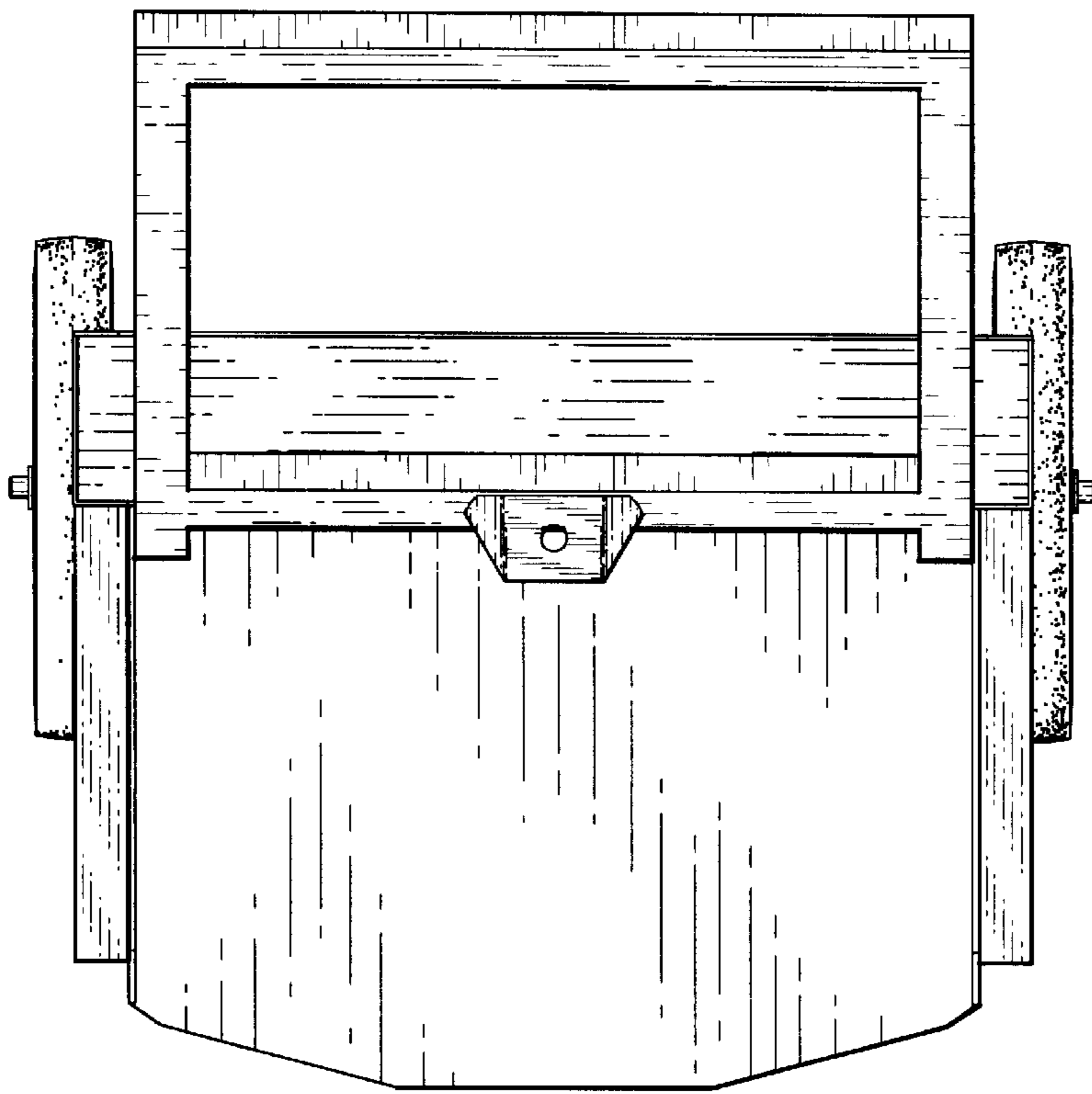
**Fig. 1**



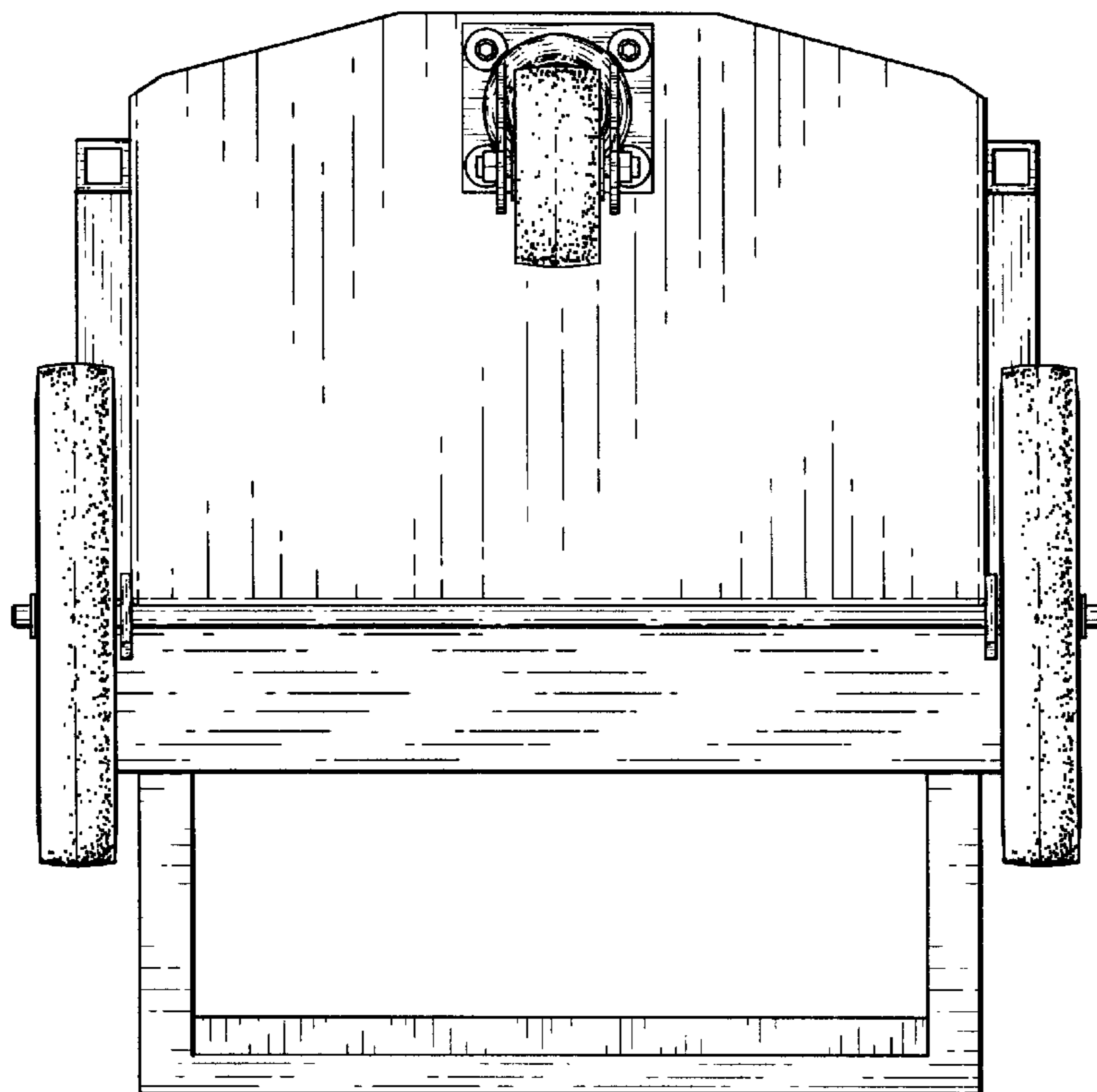
**Fig. 2**



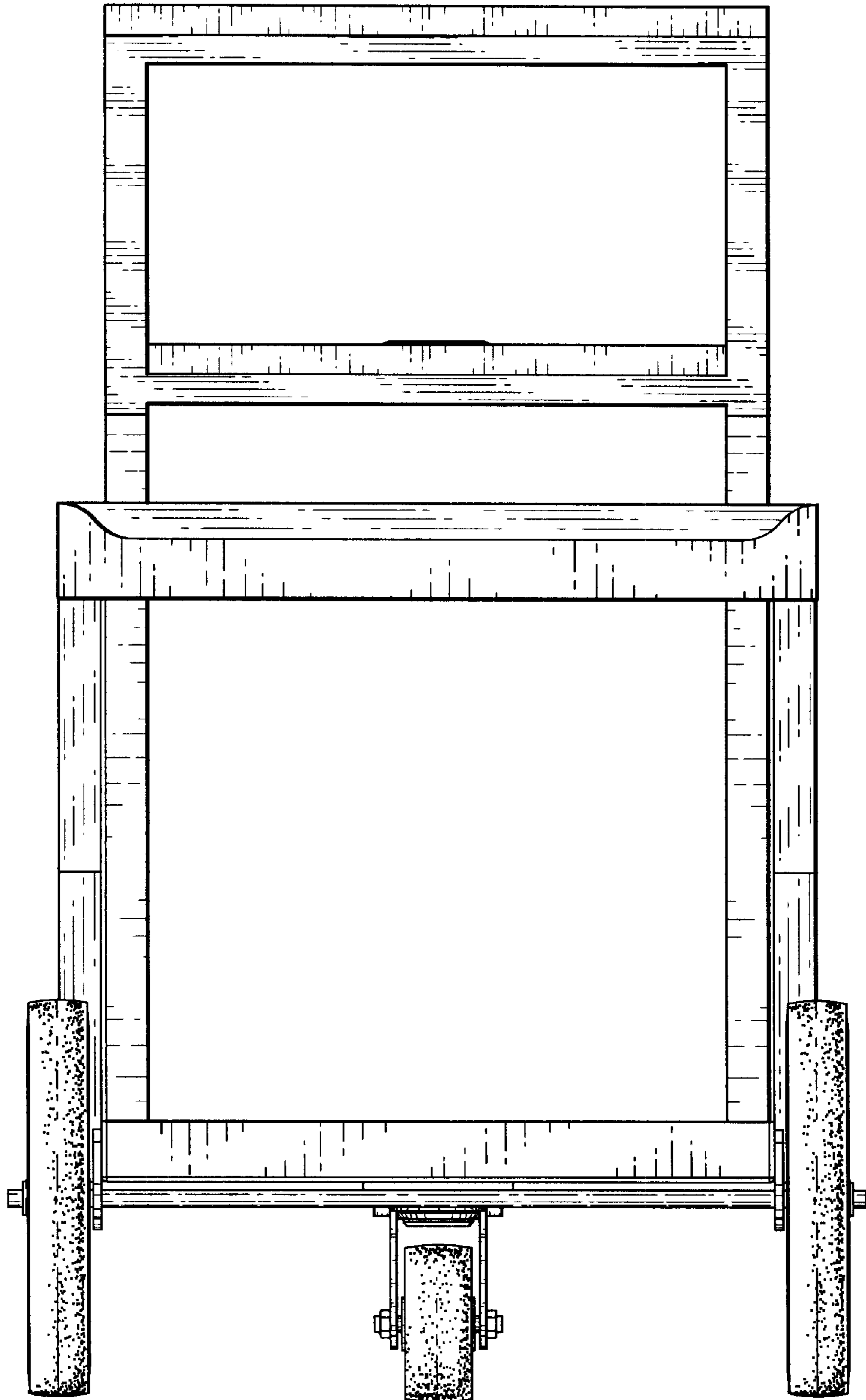
**Fig. 3**



**Fig. 4**



**Fig. 6**



**Fig. 5**