



US00D473986S

(12) **United States Design Patent**
Parr et al.

(10) **Patent No.:** **US D473,986 S**

(45) **Date of Patent:** **** Apr. 29, 2003**

(54) **FOOT OF AN UPRIGHT VACUUM CLEANER**

(75) Inventors: **Richard S. Parr**, Uniontown, OH (US);
William G. Alford, Canton, OH (US);
Darwin T. McKnight, Louisville, OH (US);
Matthew J. Archer, North Canton, OH (US)

(73) Assignee: **The Hoover Company**, North Canton, OH (US)

(**) Term: **14 Years**

(21) Appl. No.: **29/160,376**

(22) Filed: **May 8, 2002**

(51) **LOC (7) Cl.** **32-32**

(52) **U.S. Cl.** **D32/32**

(58) **Field of Search** D32/31-33, 21-22;
15/415.1, 410, 383, 350-351, 366, 368,
384

(56) **References Cited**

U.S. PATENT DOCUMENTS

D368,560 S	4/1996	Abe et al.	D32/22
D371,652 S	7/1996	Umbach	D32/22
D379,692 S	6/1997	Abe	D32/22
D411,669 S	* 6/1999	Wareham	D32/32
D412,227 S	7/1999	Wareham et al.	D32/32

D412,380 S	* 7/1999	Wareham	D32/32
D416,114 S	11/1999	Mehaffey	D32/22
D418,267 S	* 12/1999	Lin	D32/32
D427,399 S	* 6/2000	Thur et al.	D32/33
D431,334 S	* 9/2000	Stephens et al.	D32/32
D434,884 S	* 12/2000	Hohulin et al.	D32/22
D439,383 S	* 3/2001	Salo et al.	D32/32
D457,278 S	* 5/2002	Alford et al.	D32/32
D463,080 S	* 9/2002	Farone et al.	D32/32

* cited by examiner

Primary Examiner—Ruth McInroy

(74) *Attorney, Agent, or Firm*—A. Burgess Lowe; John W. Morrison

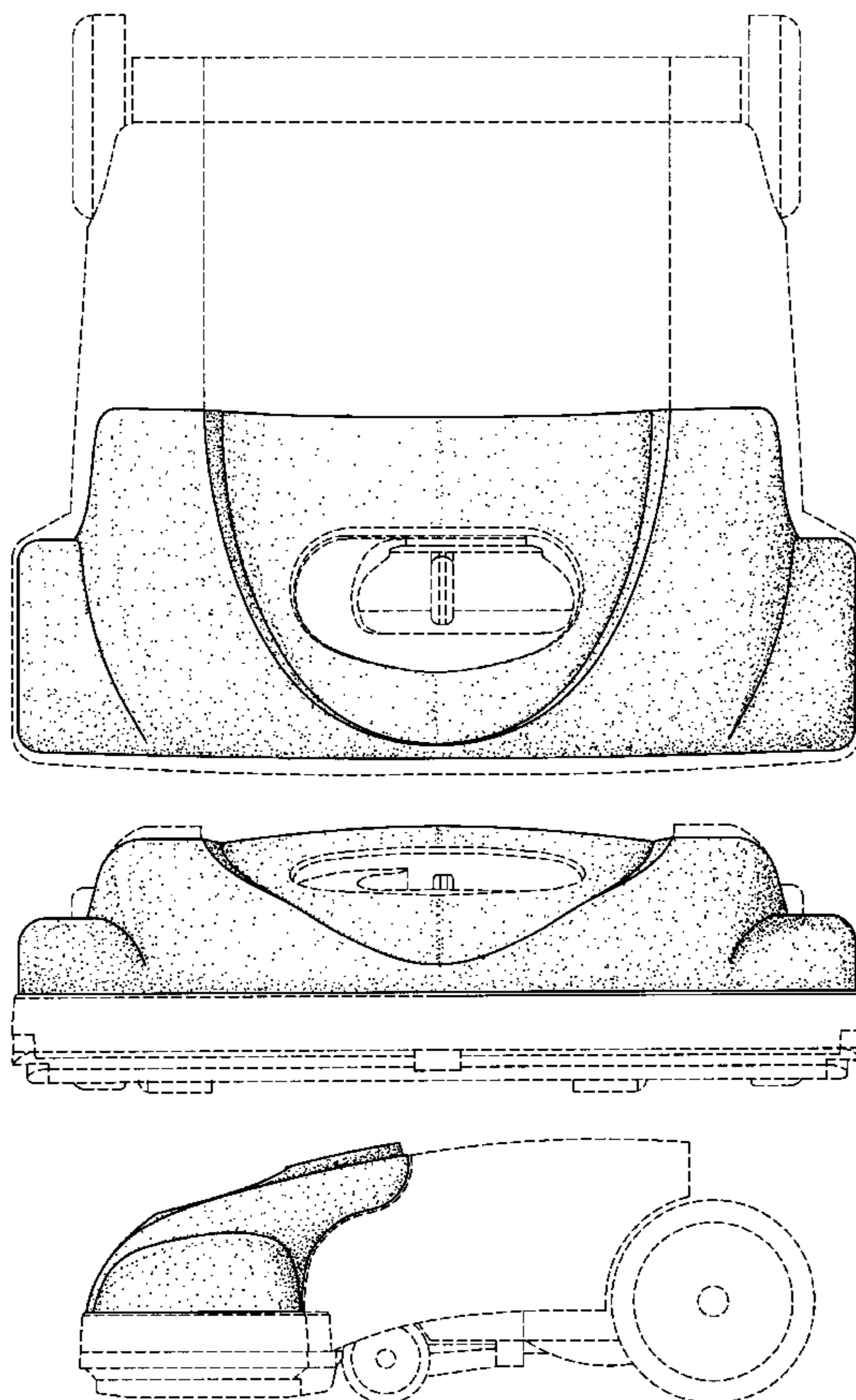
(57) **CLAIM**

The ornamental design for a foot of an upright vacuum cleaner, as shown and described.

DESCRIPTION

FIG. 1 is a top elevational view of a foot for an upright vacuum cleaner showing our new design; FIG. 2 is a front elevational view thereof; FIG. 3 is a right side elevational view thereof; and, FIG. 4 is a left side elevational view thereof. In FIGS. 1, 2, 3, and 4 the broken lines showing the upright vacuum and associated details are for illustrative purposes only and form no part of the claimed design.

1 Claim, 2 Drawing Sheets



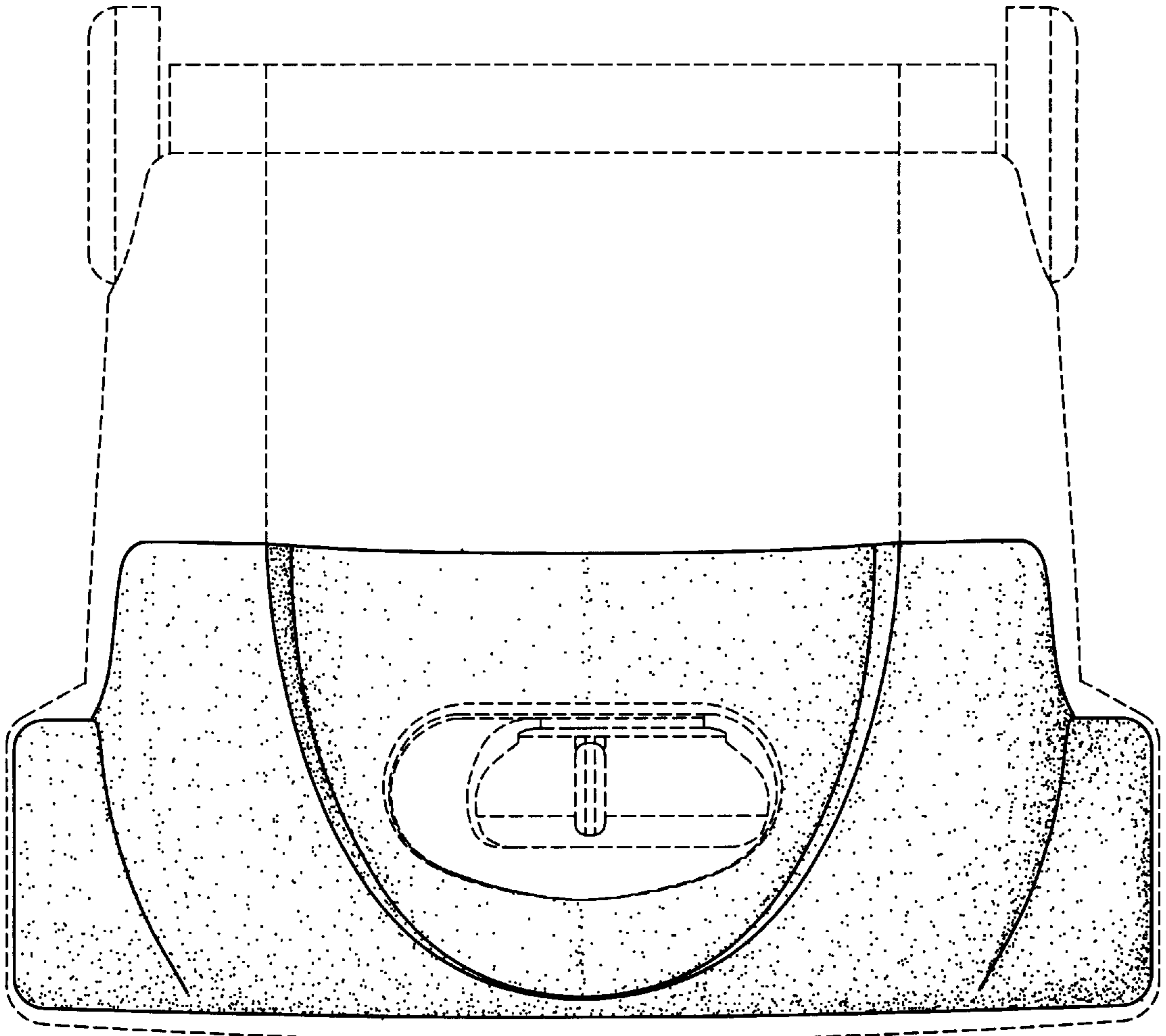


FIG-1

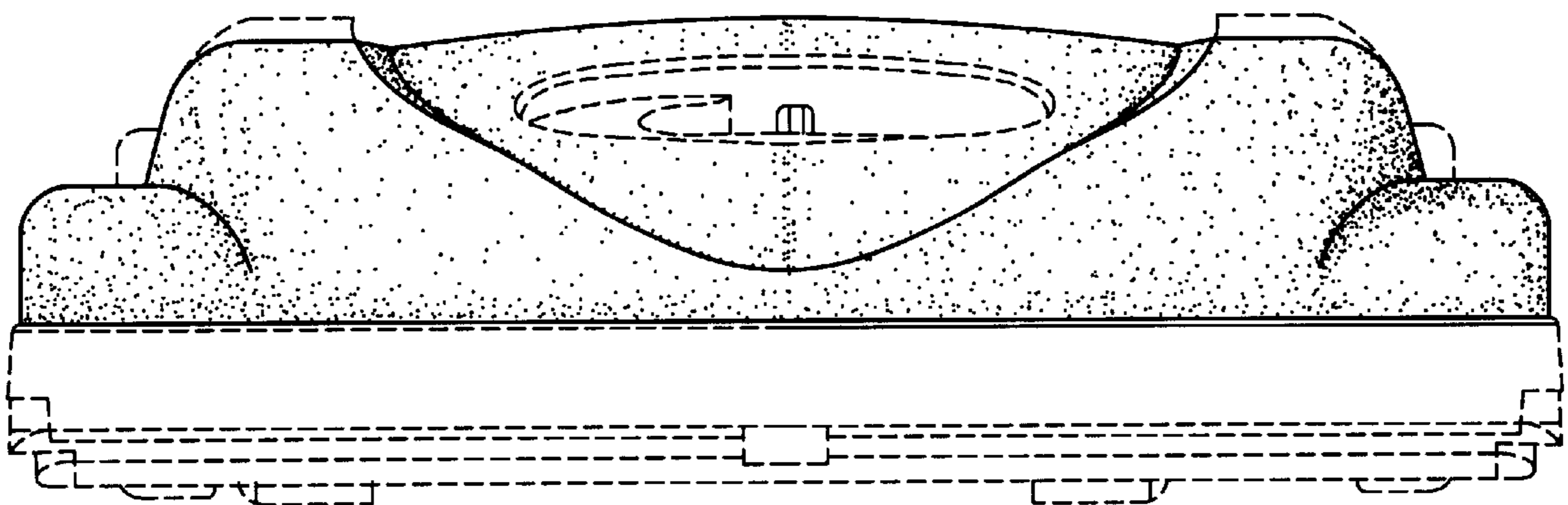


FIG-2

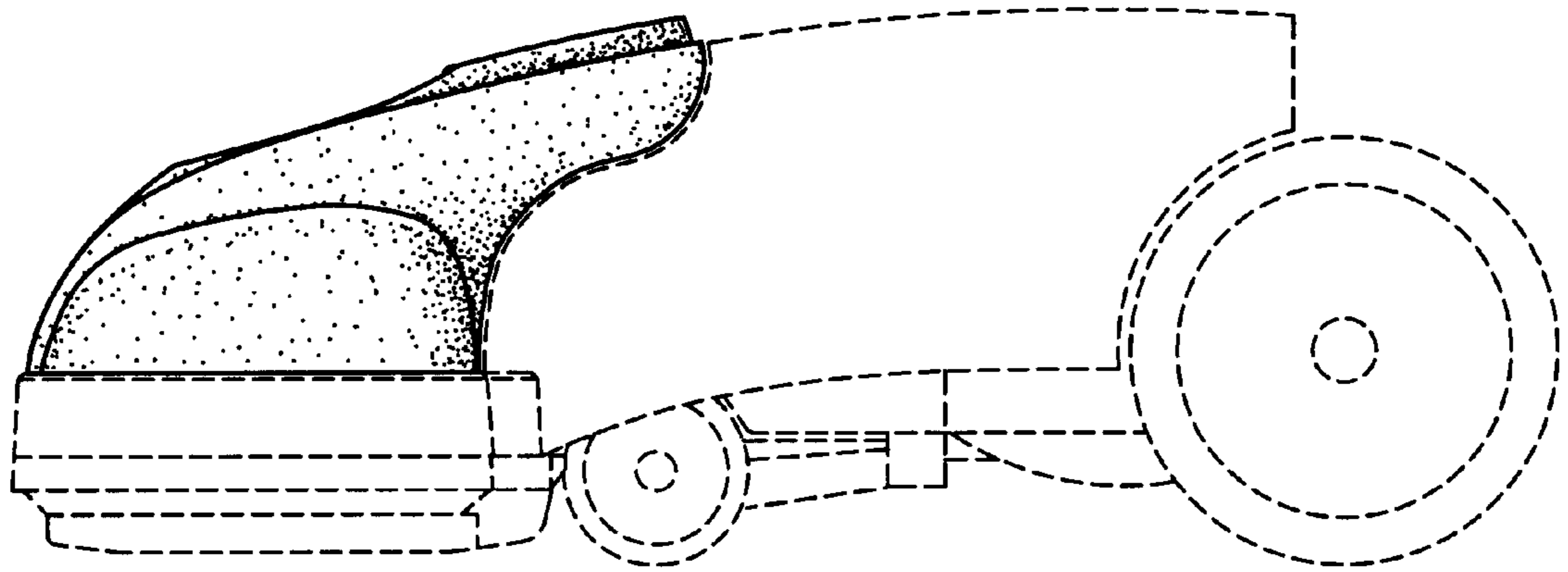


FIG-3

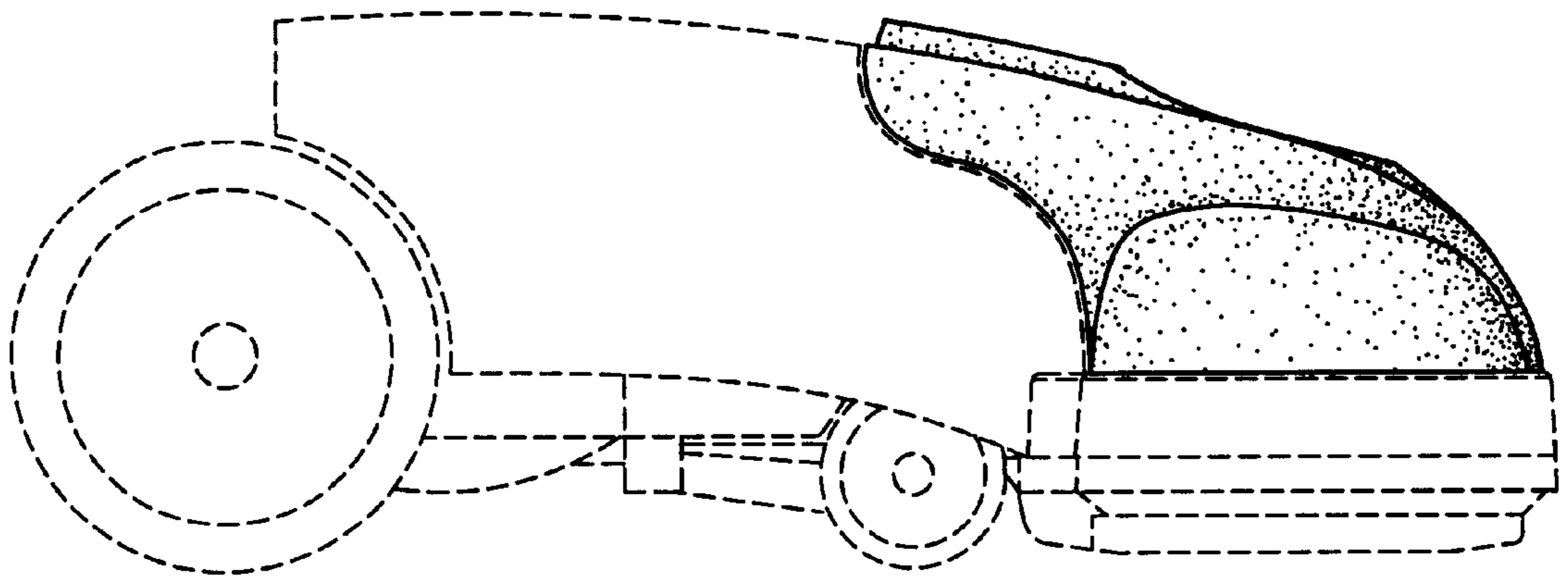


FIG-4