



US00D473985S

(12) **United States Design Patent**
Moreira Da Silva

(10) **Patent No.:** **US D473,985 S**

(45) **Date of Patent:** **** Apr. 29, 2003**

(54) **CUTLERY BASKET FOR A DISHWASHER**

(75) **Inventor:** **Claudio Moreira Da Silva**, Rio Claro (BR)

(73) **Assignee:** **Multibras S.A. Eletrodomesticos**, Sao Paulo (BR)

(**) **Term:** **14 Years**

(21) **Appl. No.:** **29/139,766**

(22) **Filed:** **Apr. 6, 2001**

(30) **Foreign Application Priority Data**

Oct. 10, 2000 (BR) DI 6002740

(51) **LOC (7) Cl.** **15-05**

(52) **U.S. Cl.** **D32/32; D3/304**

(58) **Field of Search** D32/1-3, 25; 137/374; 134/135, 56 D, 58 D, 57 D, 92; 220/488; 68/3 R; 211/133.5, 41.8, 41.9; D3/304, 306

(56) **References Cited**

U.S. PATENT DOCUMENTS

D190,011 S * 3/1961 Pawsat D3/306

3,116,744 A * 1/1964 Hager 220/488 X
D338,749 S * 8/1993 McConnell D32/3
5,431,294 A * 7/1995 Stottmann et al. 220/488 X
D391,696 S * 3/1998 Bournay, Jr. et al. D32/3
6,109,455 A * 8/2000 Schroeder 211/41.9
D462,838 S * 9/2002 Van Landingham D3/304

* cited by examiner

Primary Examiner—Louis S. Zarfes
Assistant Examiner—Robert A. Delehanty
(74) *Attorney, Agent, or Firm*—Darby & Darby

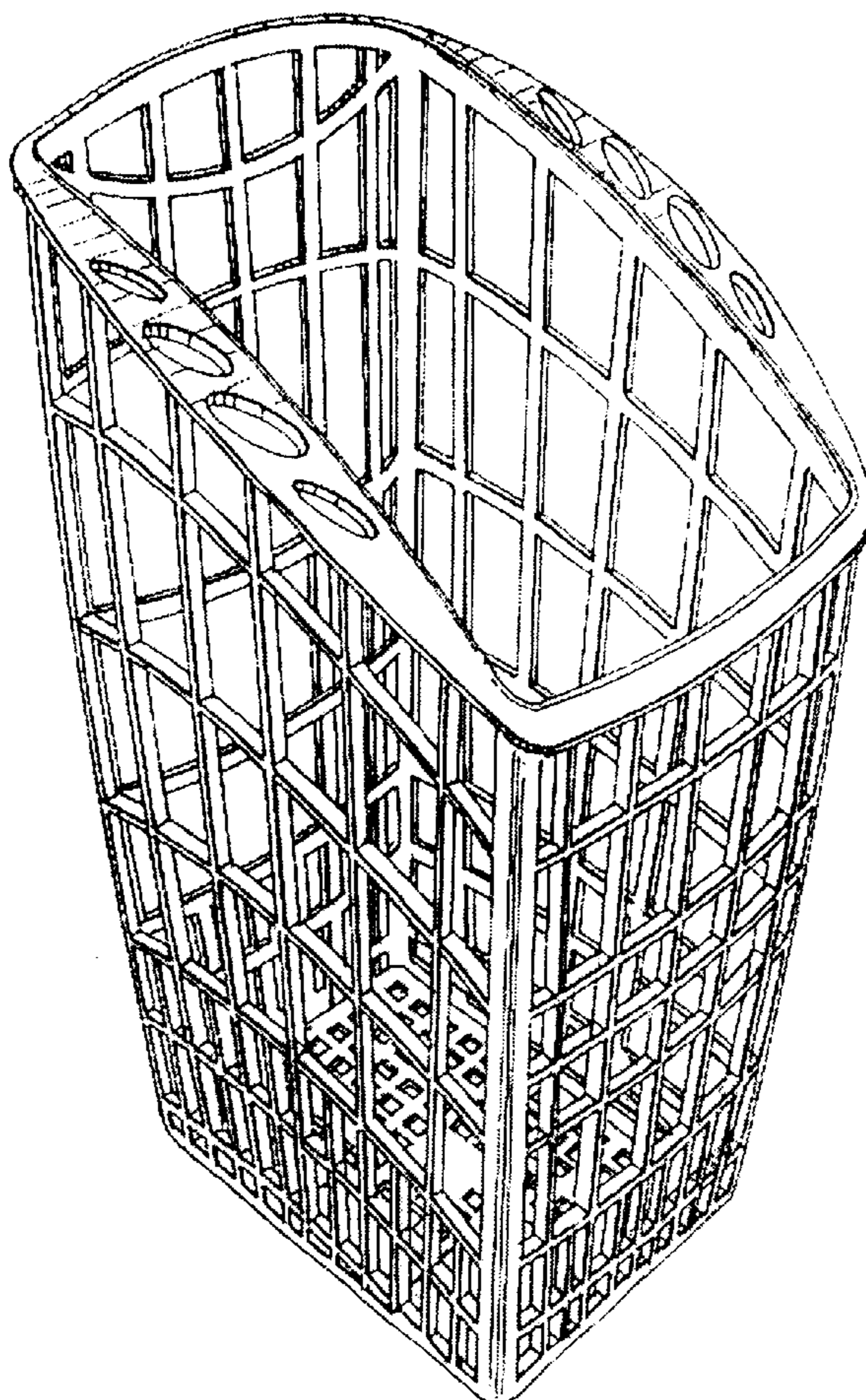
(57) **CLAIM**

The ornamental design for a cutlery basket for a dishwasher, as shown and described.

DESCRIPTION

FIG. 1 is a front-lateral perspective view of the basket for cutlery of dishwasher;
FIG. 2 is front elevational view of the basket of FIG. 1;
FIG. 3 is a lateral elevational view of the basket of FIGS. 1 and 2;
FIG. 4 is a top view of the basket of FIGS. 1, 2 and 3; and,
FIG. 5 is a rear elevational view of the basket of the previous figures.

1 Claim, 2 Drawing Sheets



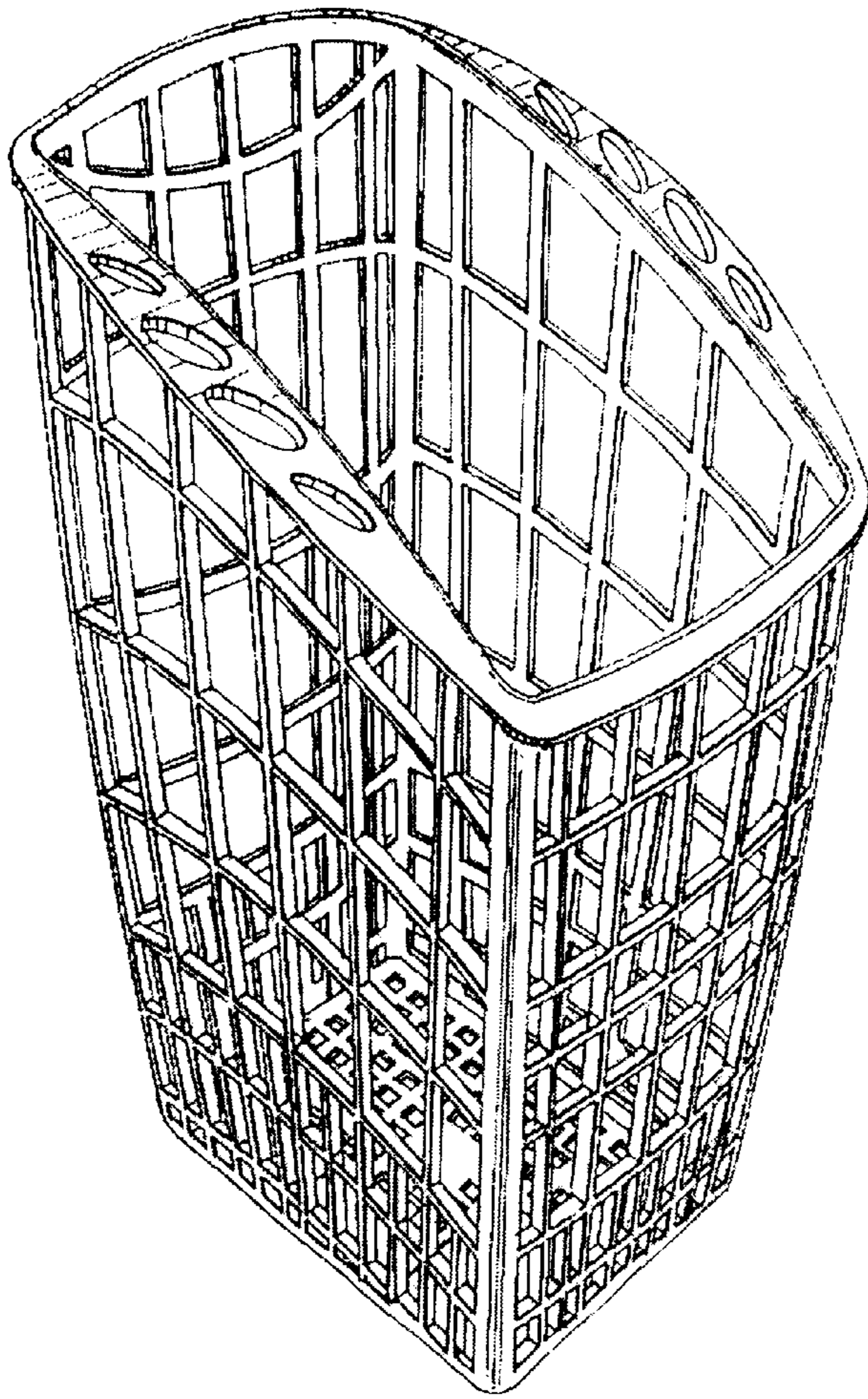


FIG. 1

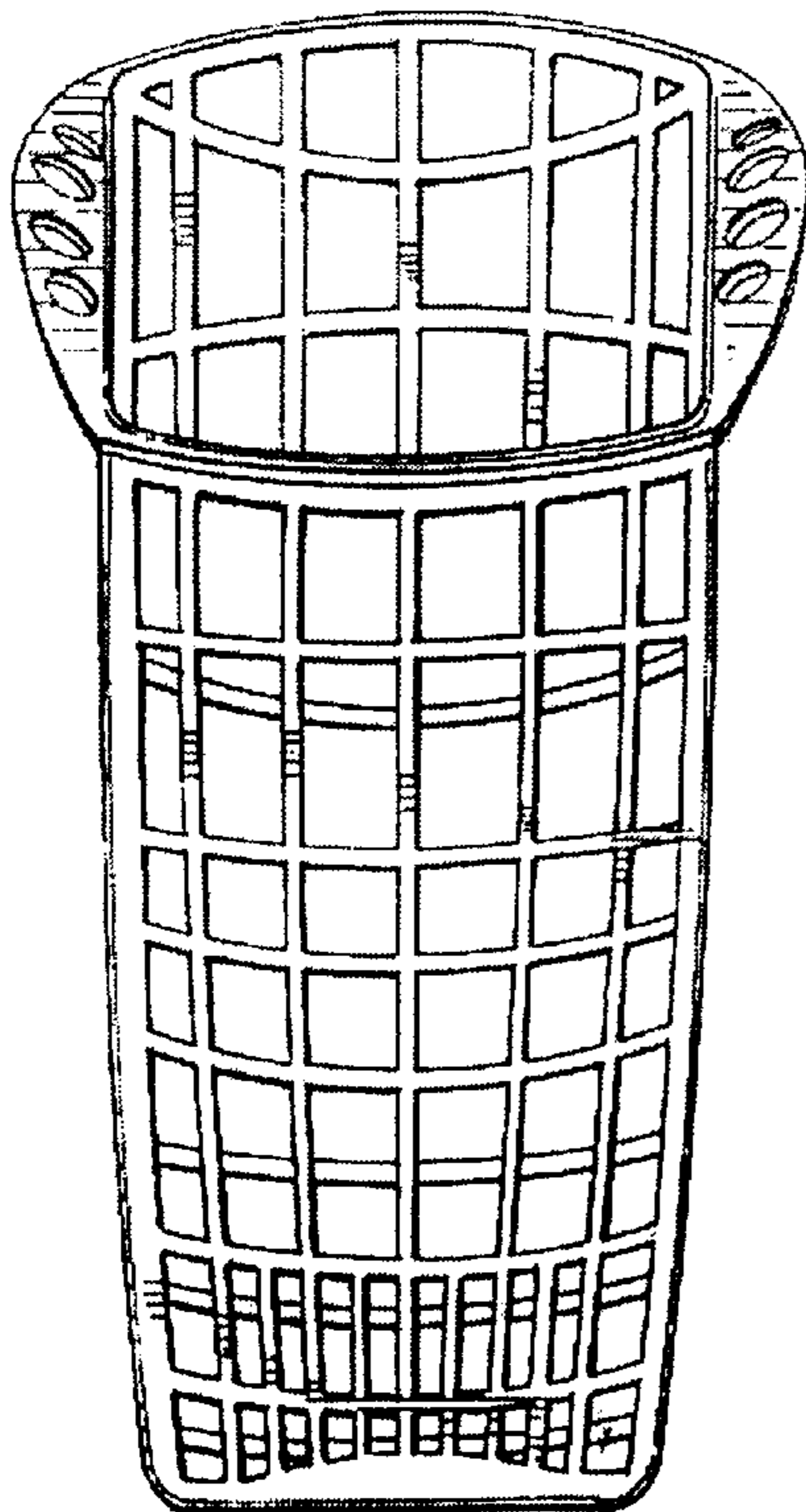


FIG. 2

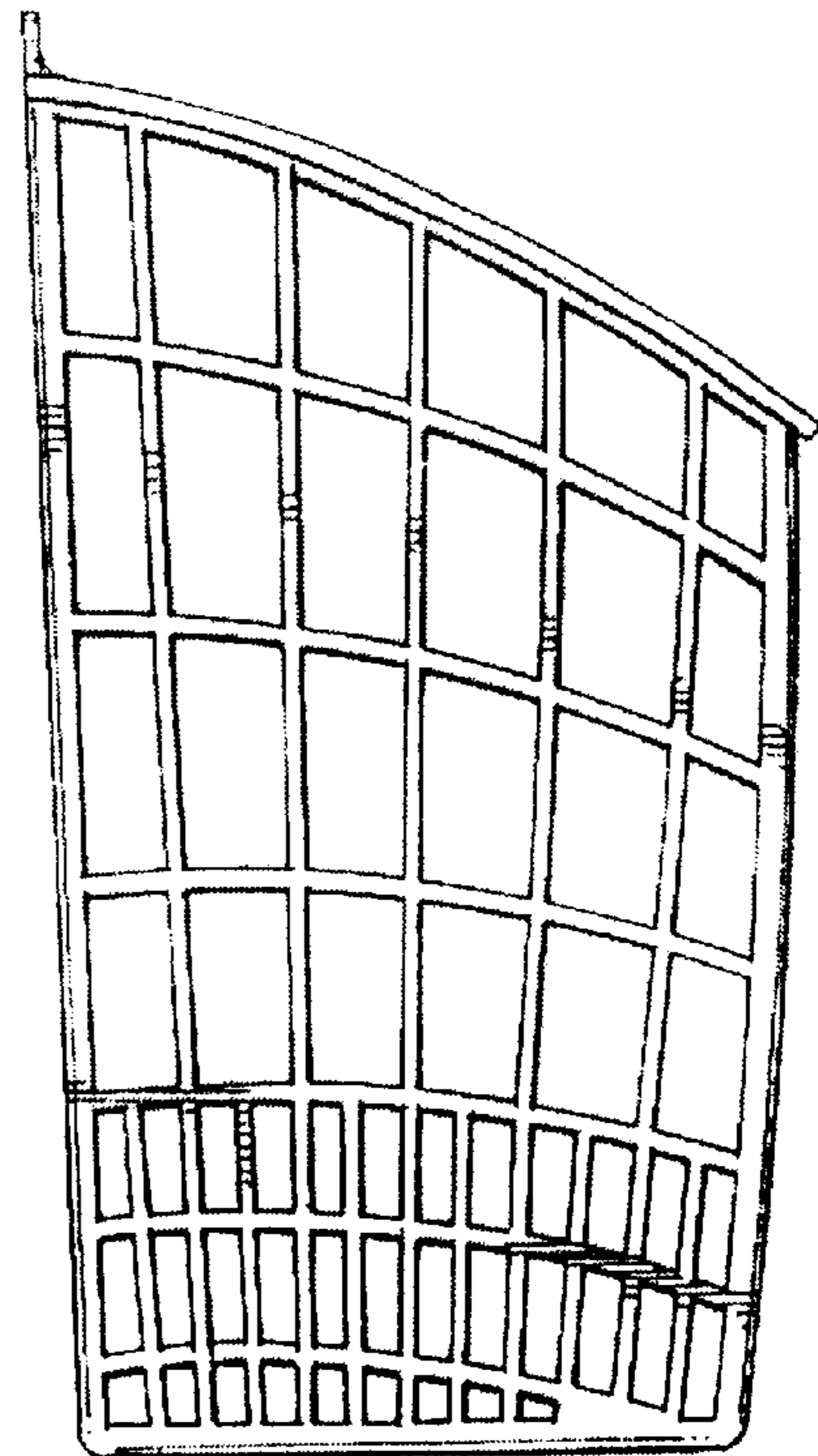


FIG. 3

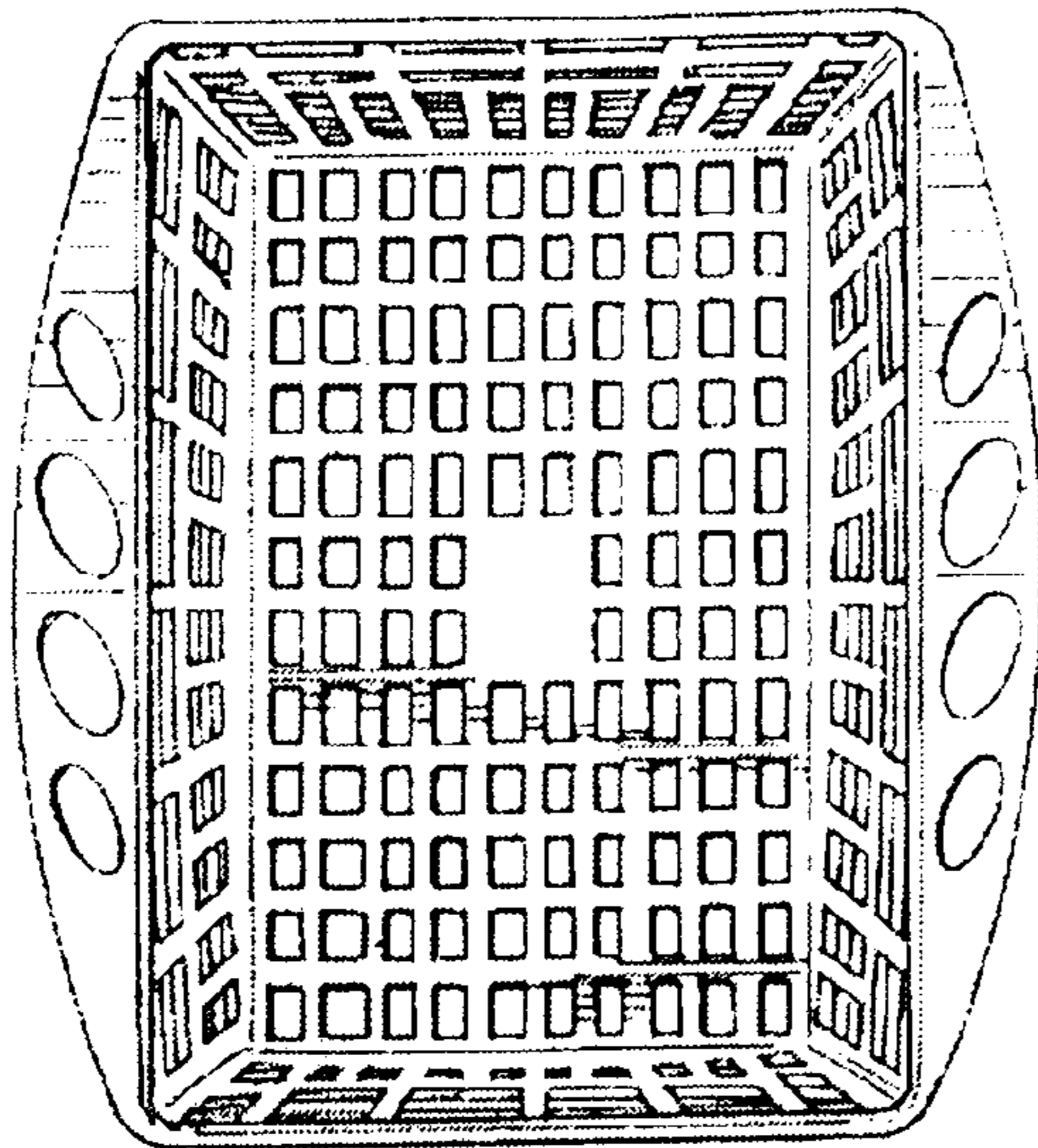


FIG. 4

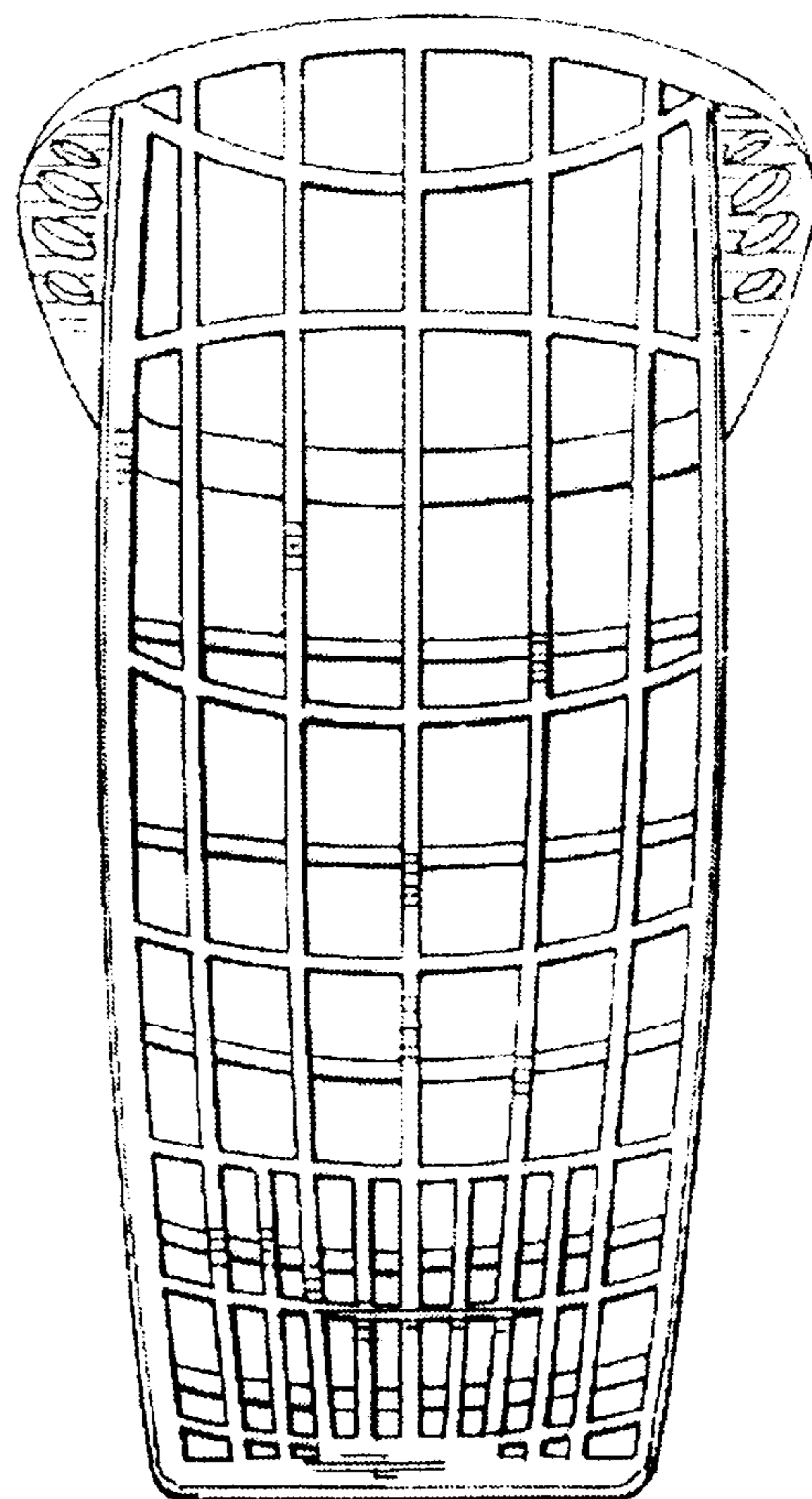


FIG. 5