



US00D473984S

(12) **United States Design Patent**  
**Stephens et al.**

(10) **Patent No.:** **US D473,984 S**

(45) **Date of Patent:** **\*\* Apr. 29, 2003**

(54) **SENSOR VISOR FOR A ROBOTIC VACUUM CLEANER**

(75) Inventors: **Ronald J. Stephens**, Rittman, OH (US); **Matthew J. Archer**, North Canton, OH (US); **Shai Abramson**, Pardesia (IL); **Shalom Levin**, Alitit (IL); **Oded Davidovitch**, Tel-Aviv (IL); **Yoav Tikochinsky**, Tel-Aviv (IL)

(73) Assignee: **The Hoover Company**, North Canton, OH (US)

(\*\*) Term: **14 Years**

(21) Appl. No.: **29/153,775**

(22) Filed: **Jan. 11, 2002**

(51) **LOC (7) Cl.** ..... **15-05**

(52) **U.S. Cl.** ..... **D32/31; D32/21**

(58) **Field of Search** ..... **D32/21, 23-24, D32/31, 25; 15/327.1, 319, 340.1, 340.3; 180/169, 8.2; 901/1**

(56) **References Cited**

**U.S. PATENT DOCUMENTS**

D212,257 S \* 9/1968 Schaefer et al. .... D32/23  
4,306,329 A \* 12/1981 Yokoi ..... 15/319

5,109,566 A \* 5/1992 Kobayashi et al. .... 15/319  
5,144,716 A \* 9/1992 Watanabe et al. .... 15/323  
5,293,955 A \* 3/1994 Lee ..... 180/169  
5,353,468 A \* 10/1994 Yap et al. .... 15/319  
5,515,934 A \* 5/1996 Davis ..... 180/8.2  
5,781,960 A \* 7/1998 Kilstrom et al. .... 15/319  
5,940,927 A \* 8/1999 Haegermarck et al. .... 15/319

\* cited by examiner

*Primary Examiner*—Ruth McInroy

(74) *Attorney, Agent, or Firm*—A. Burgess Lowe; John W. Morrison

(57) **CLAIM**

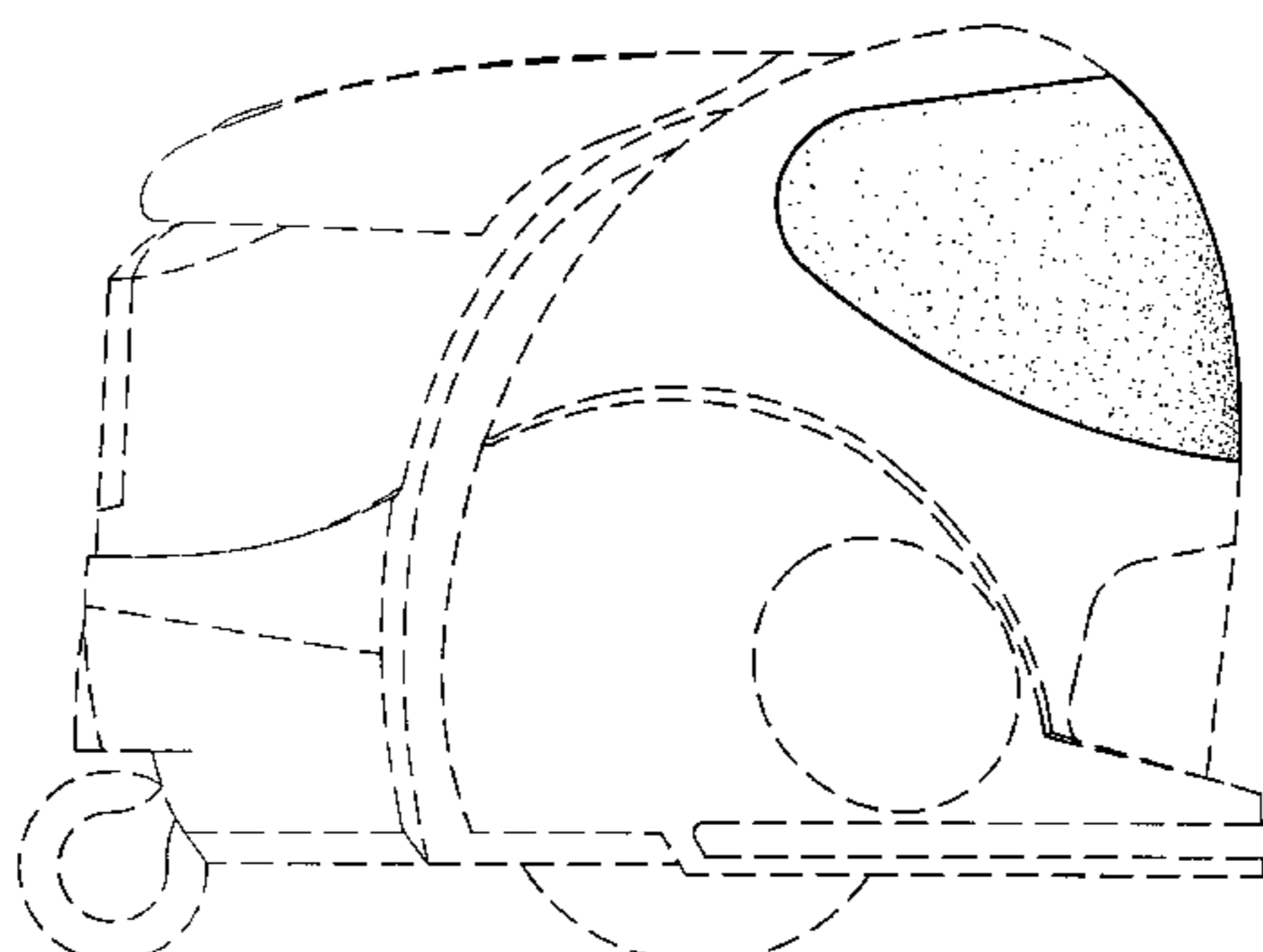
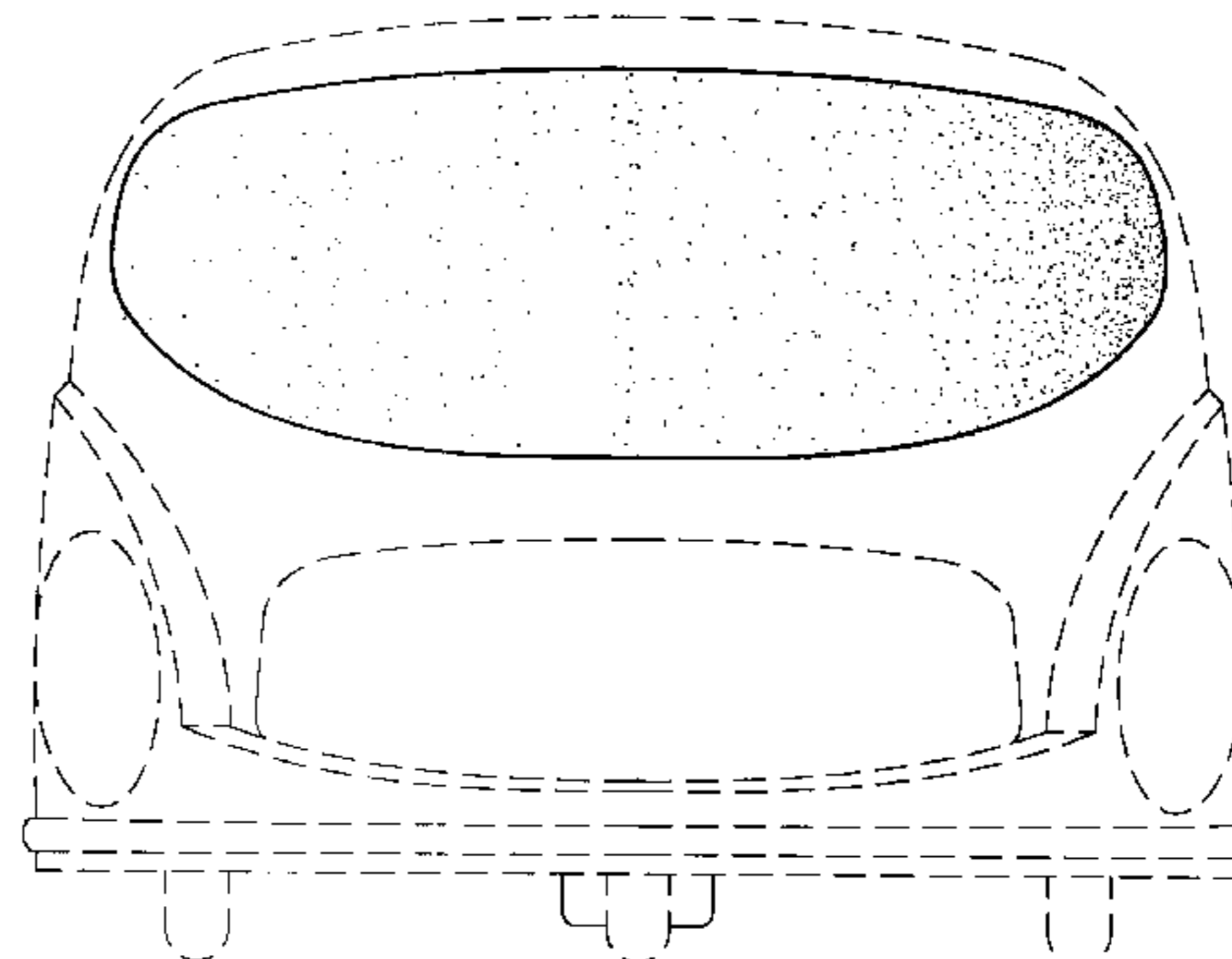
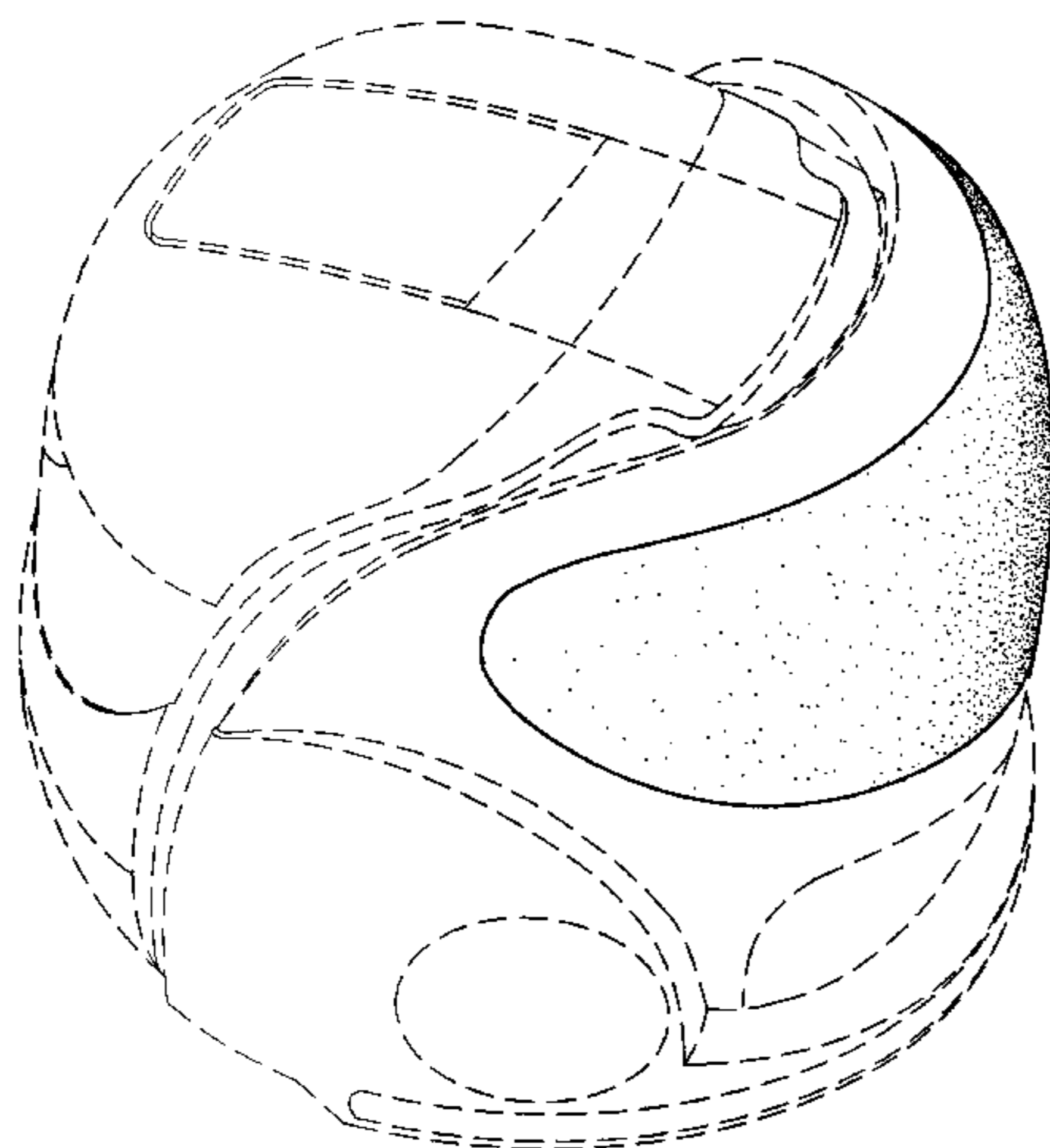
The ornamental design of a sensor visor for a robotic vacuum cleaner, as shown and described.

**DESCRIPTION**

FIG. 1 is a front right elevational view of a sensor visor for a robotic vacuum cleaner showing our new design; FIG. 2 is a front elevational view thereof; FIG. 3 is a right side elevational view thereof; and, FIG. 4 is a top elevational view thereof.

The details shown in broken lines in FIGS. 1-4 are for illustrative purposes only and form no part of the claimed design.

**1 Claim, 4 Drawing Sheets**



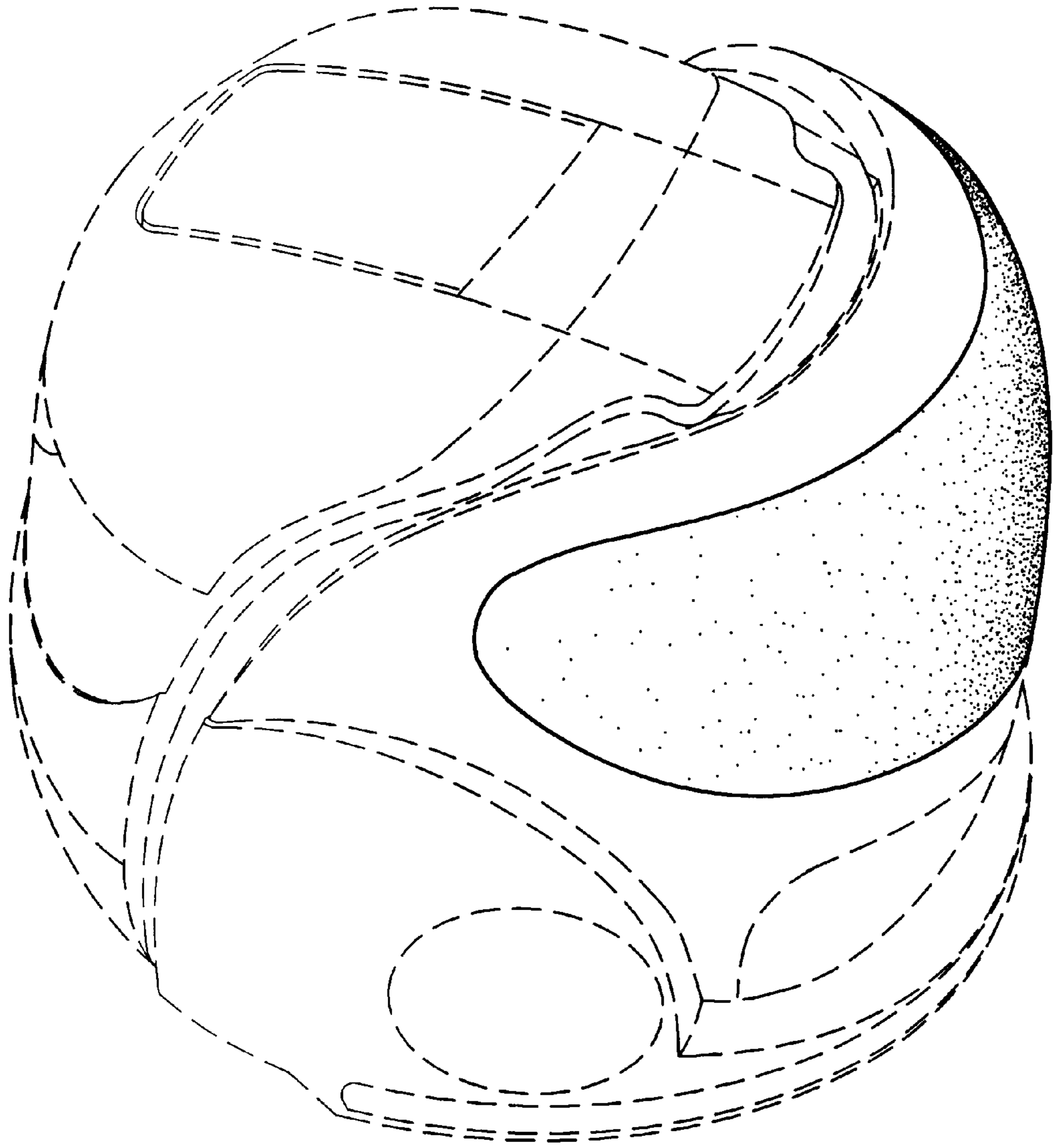


FIG-1

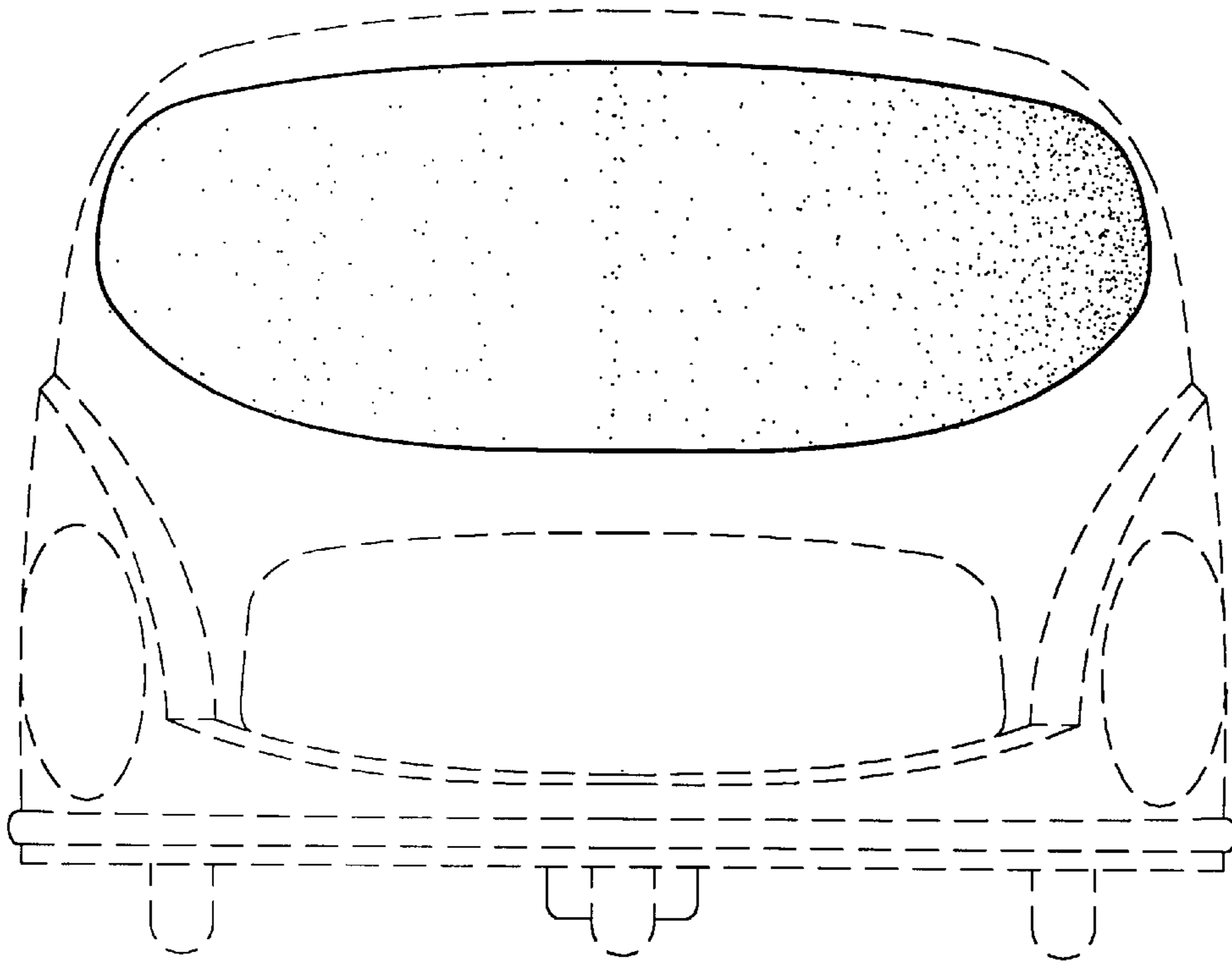


FIG-2

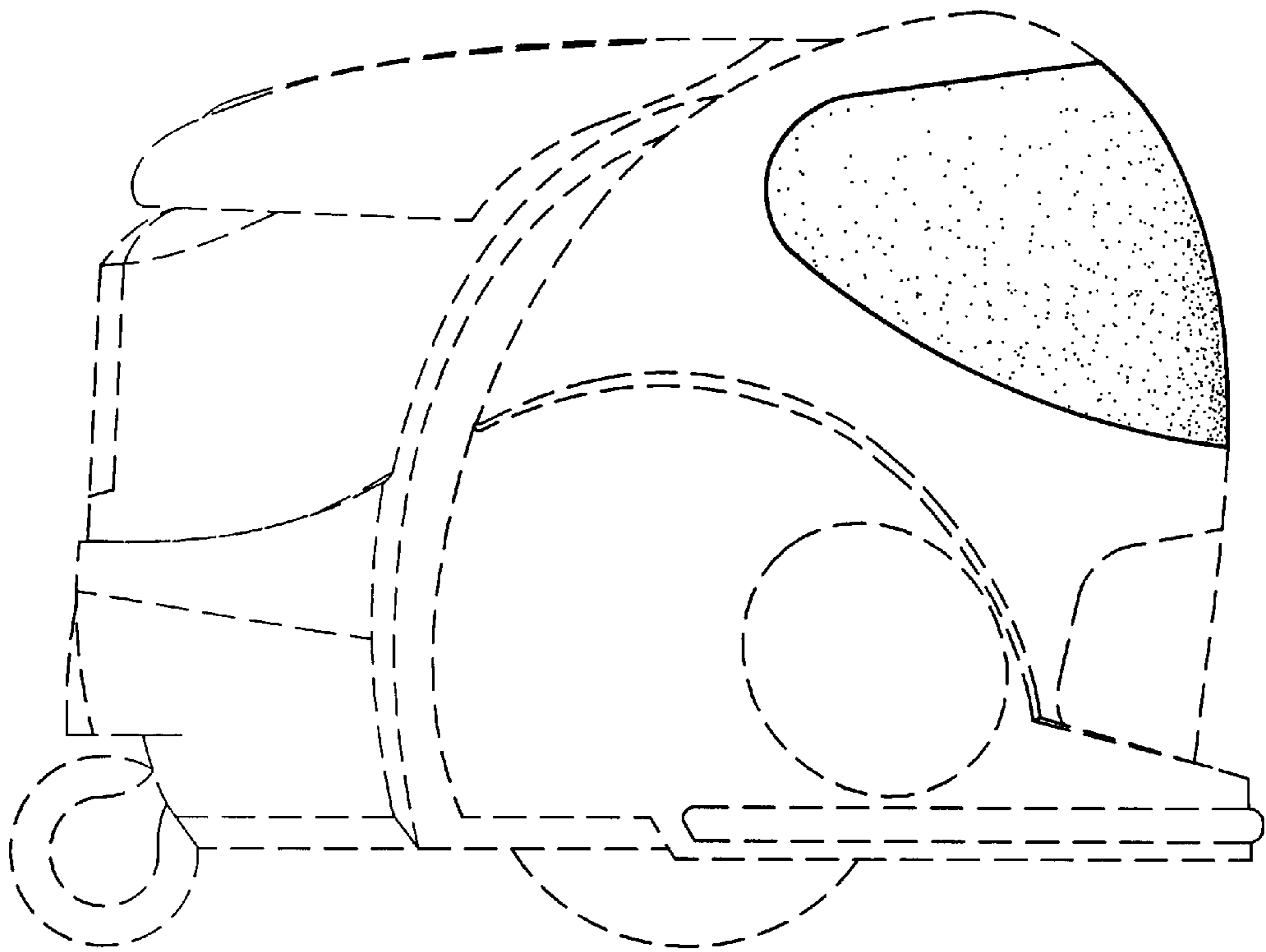


FIG-3

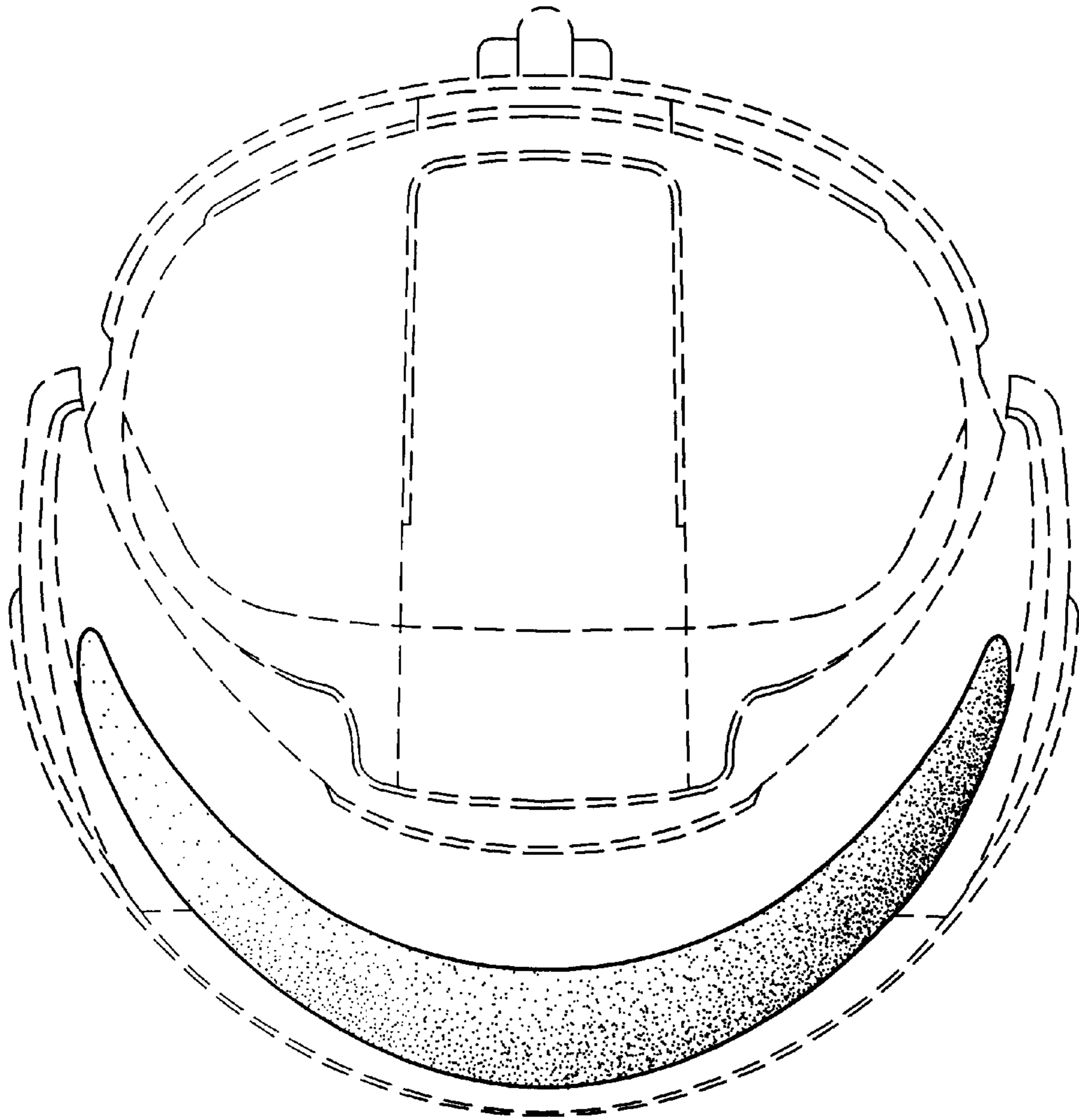


FIG-4