



US00D473983S

(12) **United States Design Patent**
Stephens et al.

(10) **Patent No.:** **US D473,983 S**

(45) **Date of Patent:** **** Apr. 29, 2003**

(54) **HANDLE FOR A ROBOTIC VACUUM CLEANER**

5,781,960 A * 7/1998 Kilstrom et al. 15/319
5,940,927 A * 8/1999 Haegermarck et al. 15/319

(75) Inventors: **Ronald J. Stephens**, Rittman, OH (US); **Matthew J. Archer**, North Canton, OH (US); **Shai Abramson**, Pardesia (IL); **Shalom Levin**, Alitit (IL); **Oded Davidovitch**, Tel-Aviv (IL); **Yoav Tikochinsky**, Tel-Aviv (IL)

* cited by examiner

Primary Examiner—Ruth McInroy
(74) *Attorney, Agent, or Firm*—A. Burgess Lowe; John W. Morrison

(73) Assignee: **The Hoover Company**, North Canton, OH (US)

(57) **CLAIM**

The ornamental design for a handle for a robotic vacuum cleaner, as shown and described.

(**) Term: **14 Years**

DESCRIPTION

(21) Appl. No.: **29/153,722**

FIG. 1 is a front and right side perspective view of a handle for a robotic vacuum cleaner showing our new design in a lowered position;

(22) Filed: **Jan. 11, 2002**

FIG. 2 is a front and right side perspective view similar thereof, showing the handle in a raised position;

(51) **LOC (7) Cl.** **15-05**

(52) **U.S. Cl.** **D32/31; D32/21**

FIG. 3 is a right side elevational view of FIG. 1;

(58) **Field of Search** **D32/21, 23-24,**

D32/31, 25; 15/327.1, 319, 340.1, 340.3;

180/169, 8.2; 901/1

FIG. 4 is a right side elevational view of FIG. 3, showing the handle in a raised position;

FIG. 5 is a rear elevational view of FIG. 1;

FIG. 6 is a rear elevational view of FIG. 5, showing the handle in a raised position;

FIG. 7 is a top plan view of FIG. 1; and,

FIG. 8 is a top plan view, showing the handle in a raised position.

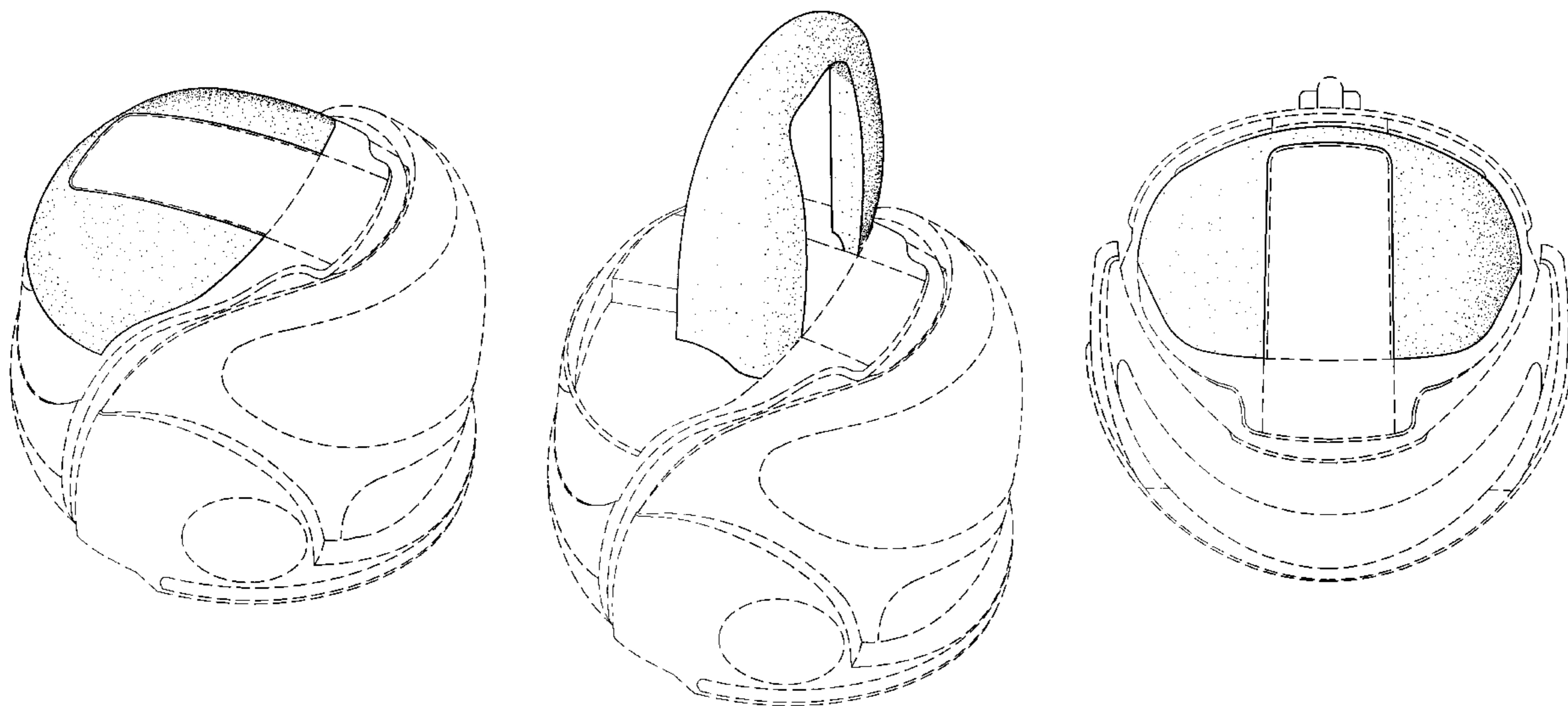
(56) **References Cited**

U.S. PATENT DOCUMENTS

D212,257 S	*	9/1968	Schaefer et al.	D32/23
4,306,329 A	*	12/1981	Yokoi	15/319
5,109,566 A	*	5/1992	Kobayashi et al.	15/319
5,144,716 A	*	9/1992	Watanabe et al.	15/323
5,293,955 A	*	3/1994	Lee	180/169
5,353,468 A	*	10/1994	Yap et al.	15/319
5,515,934 A	*	5/1996	Davis	180/8.2

The details shown in broken lines in FIGS. 1-8 are for illustrative purposes only and form no part of the claimed design.

1 Claim, 8 Drawing Sheets



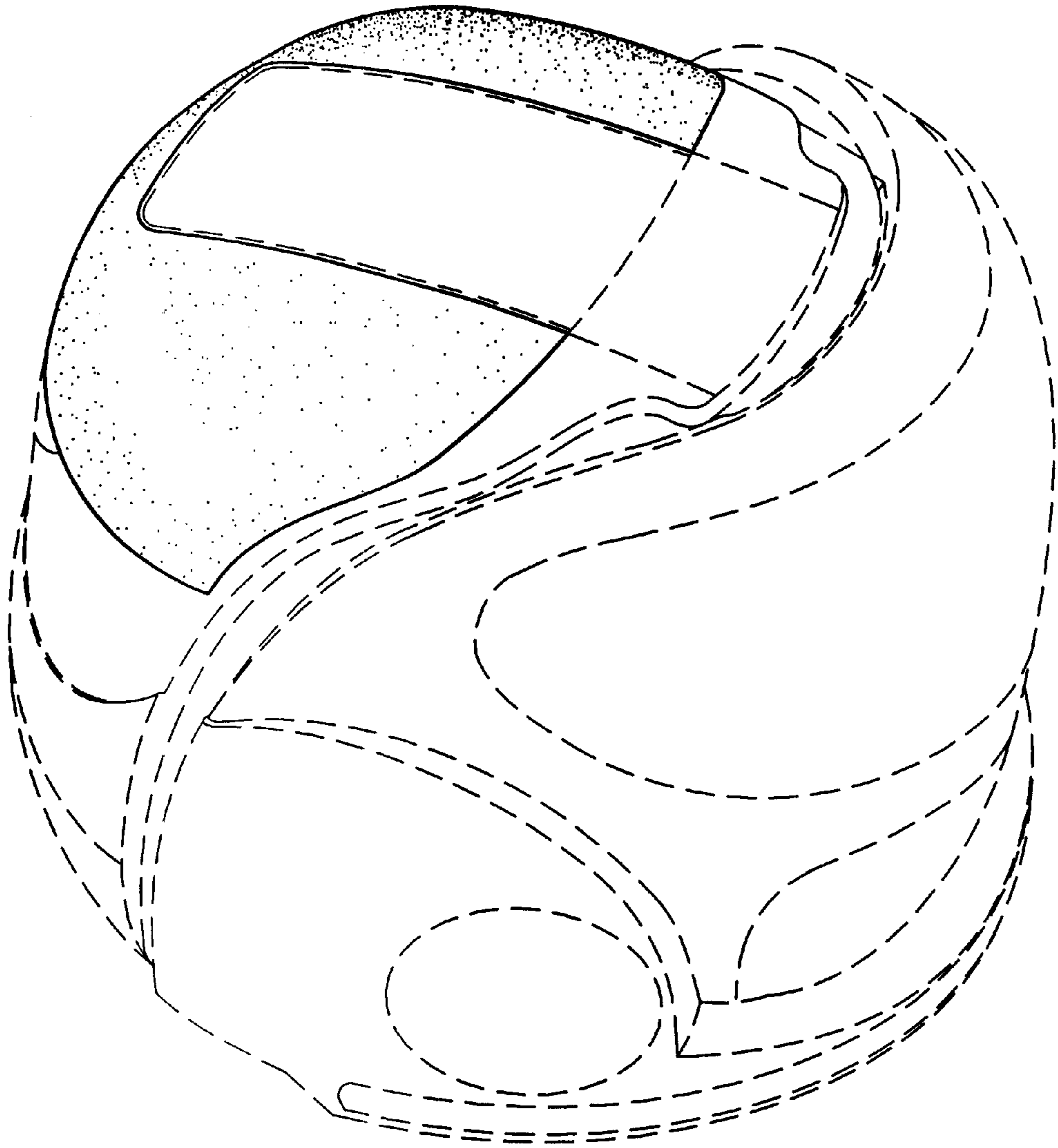


FIG-1

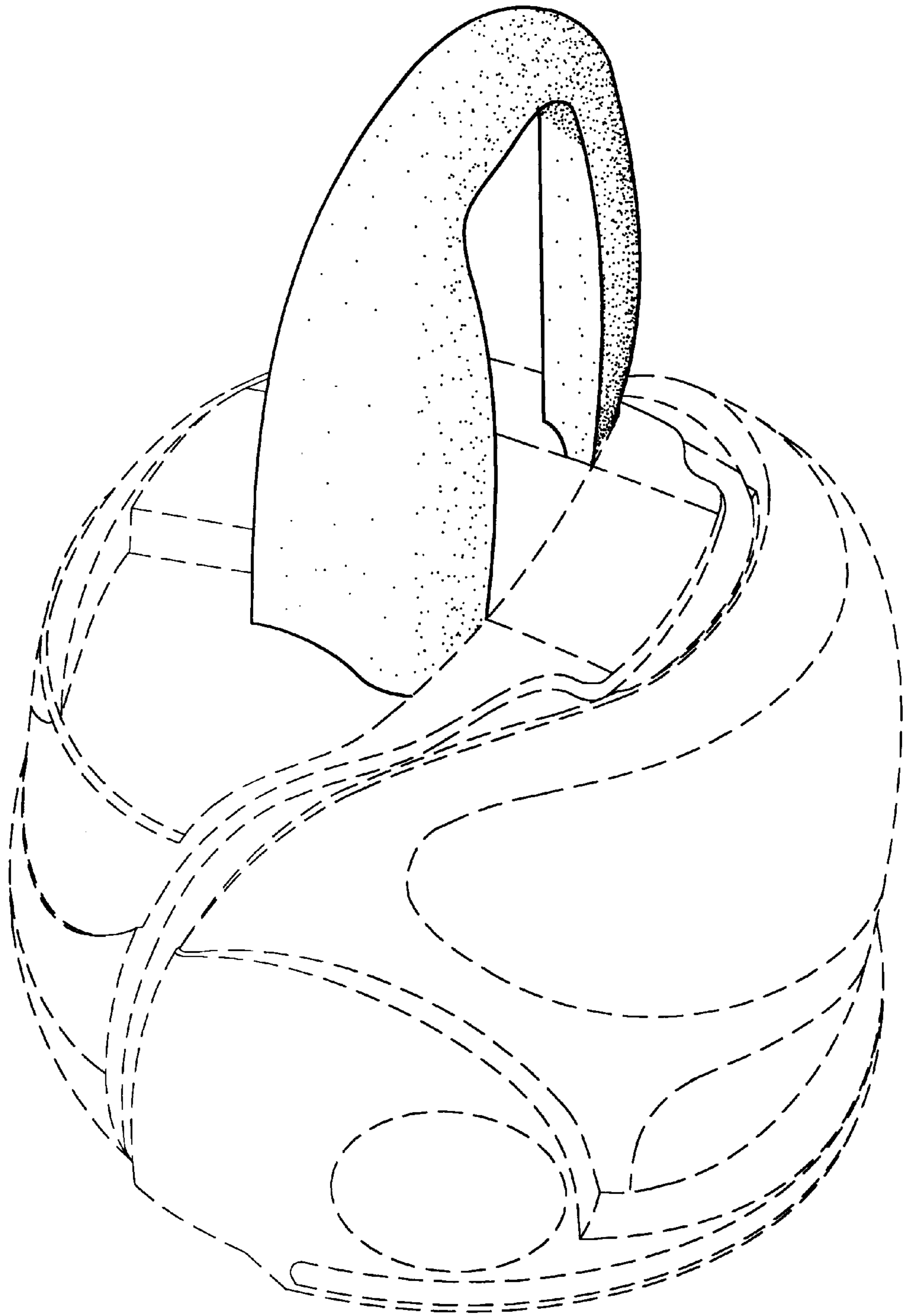


FIG-2

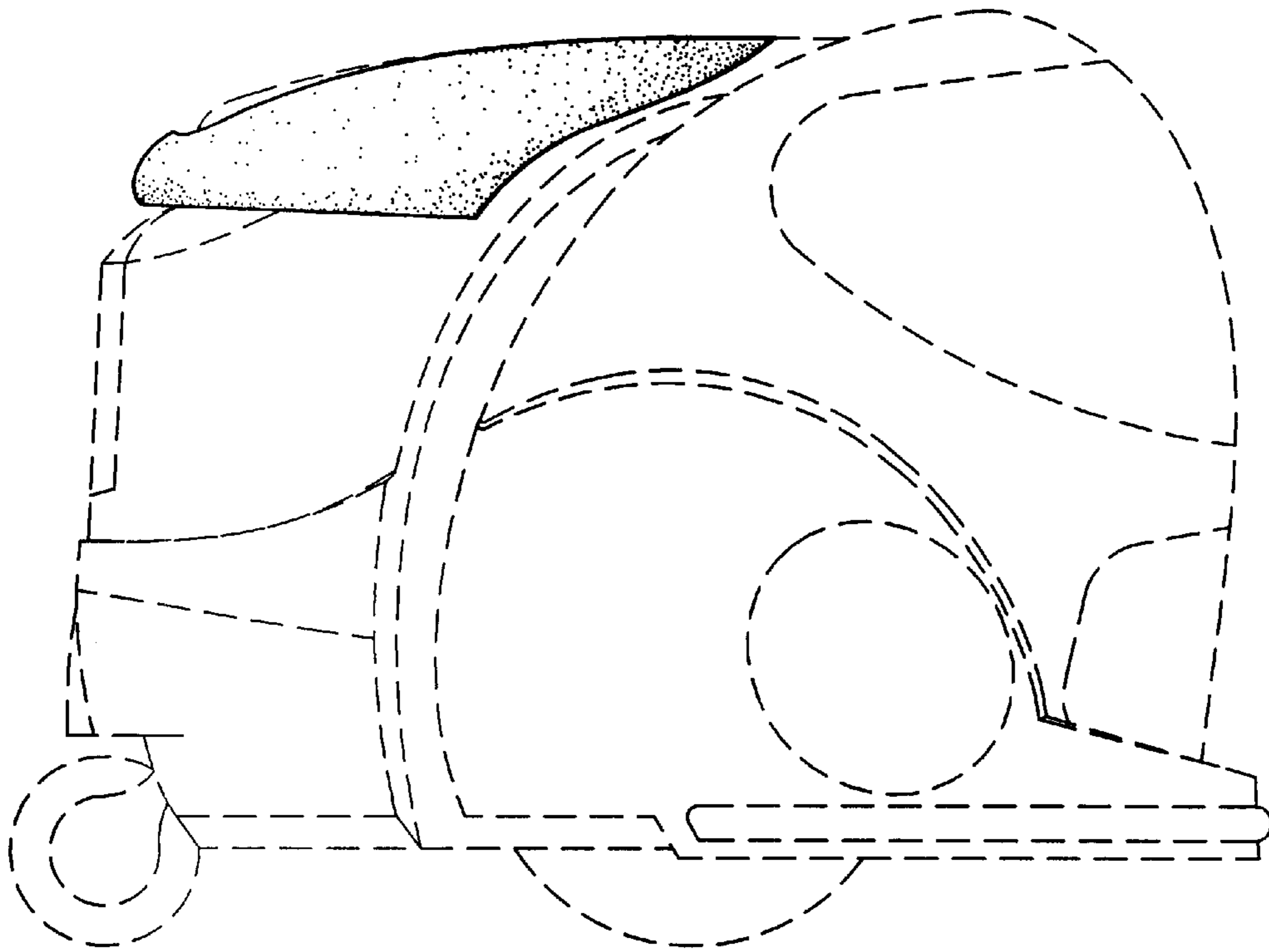


FIG-3

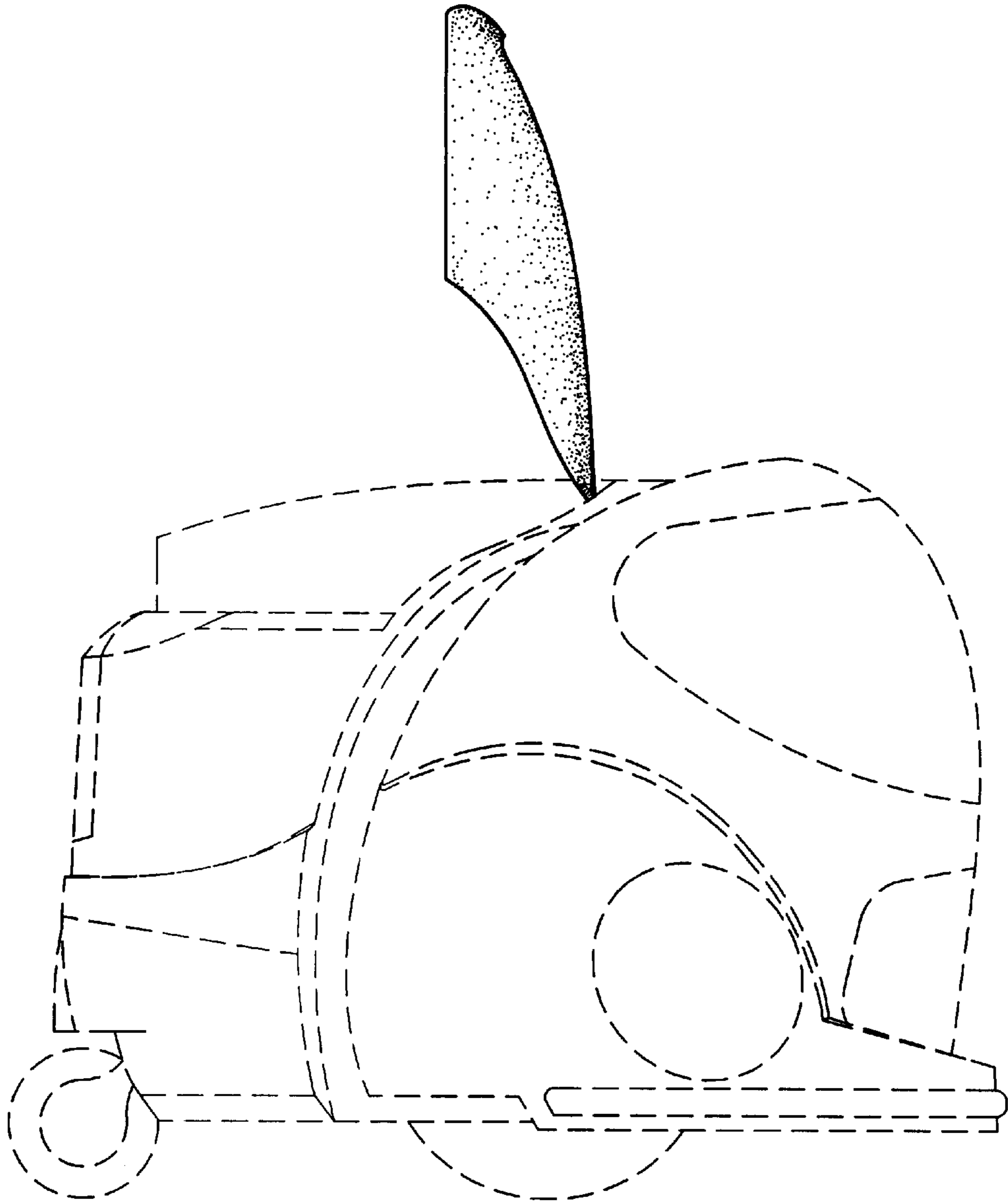


FIG-4

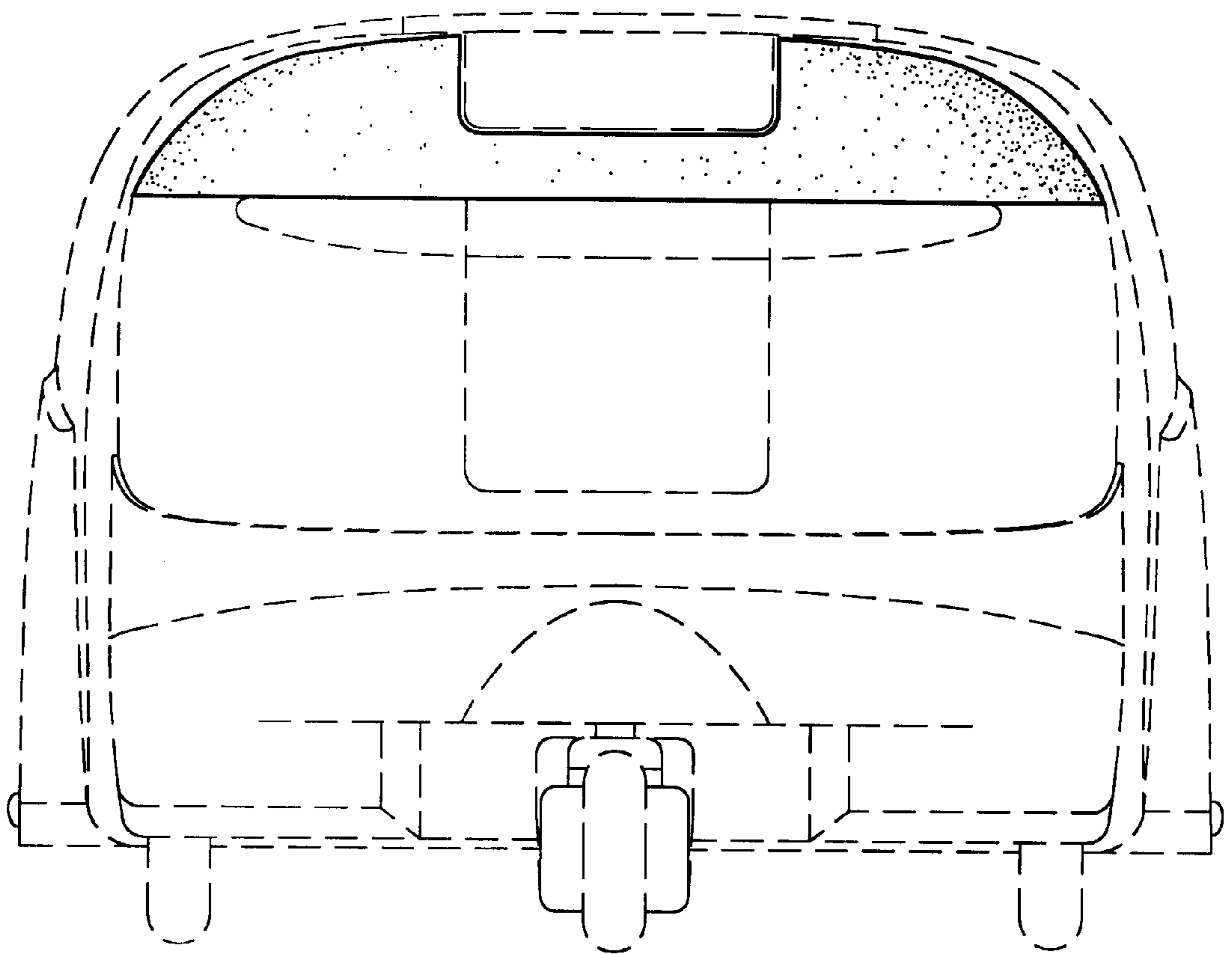


FIG-5

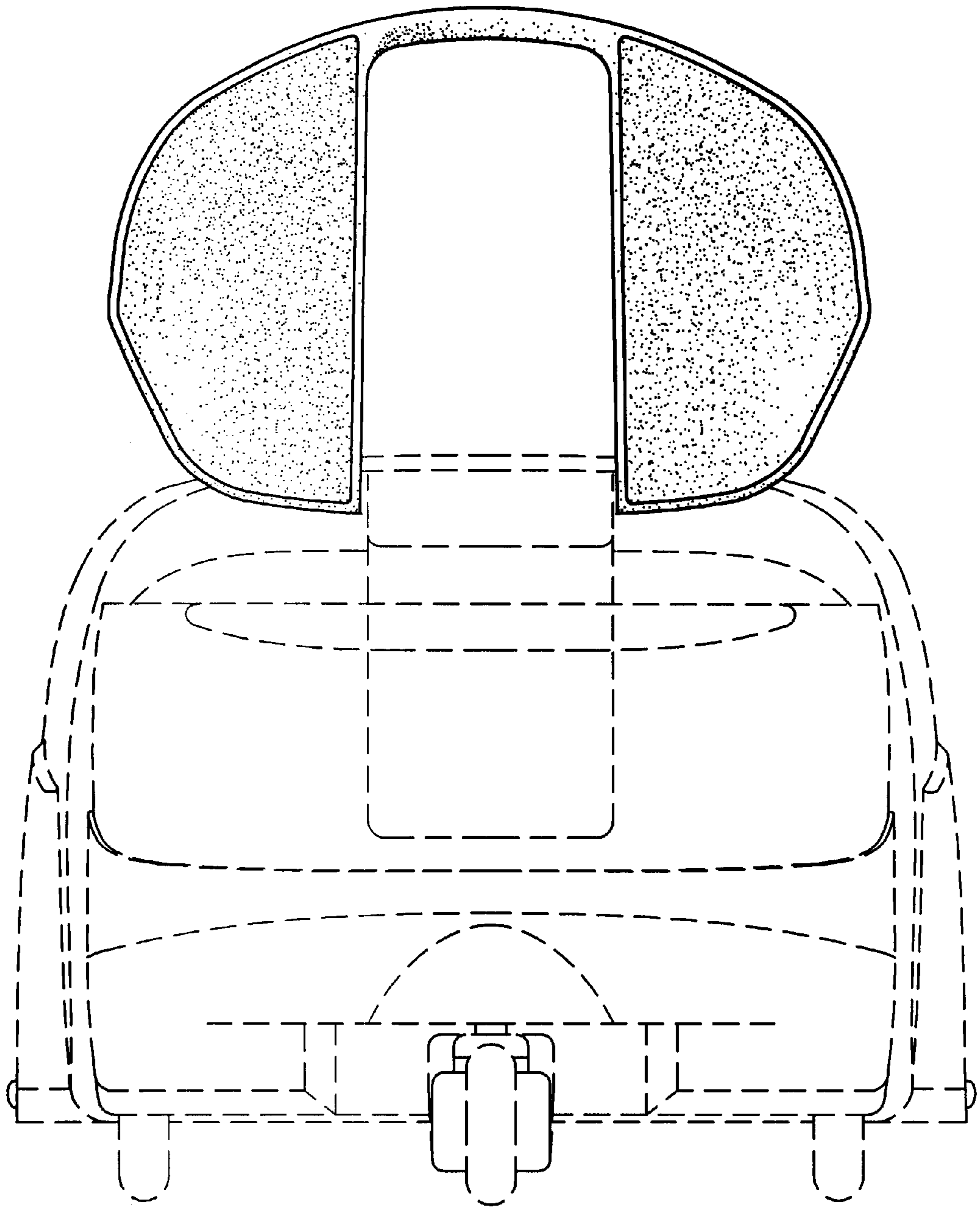


FIG-6

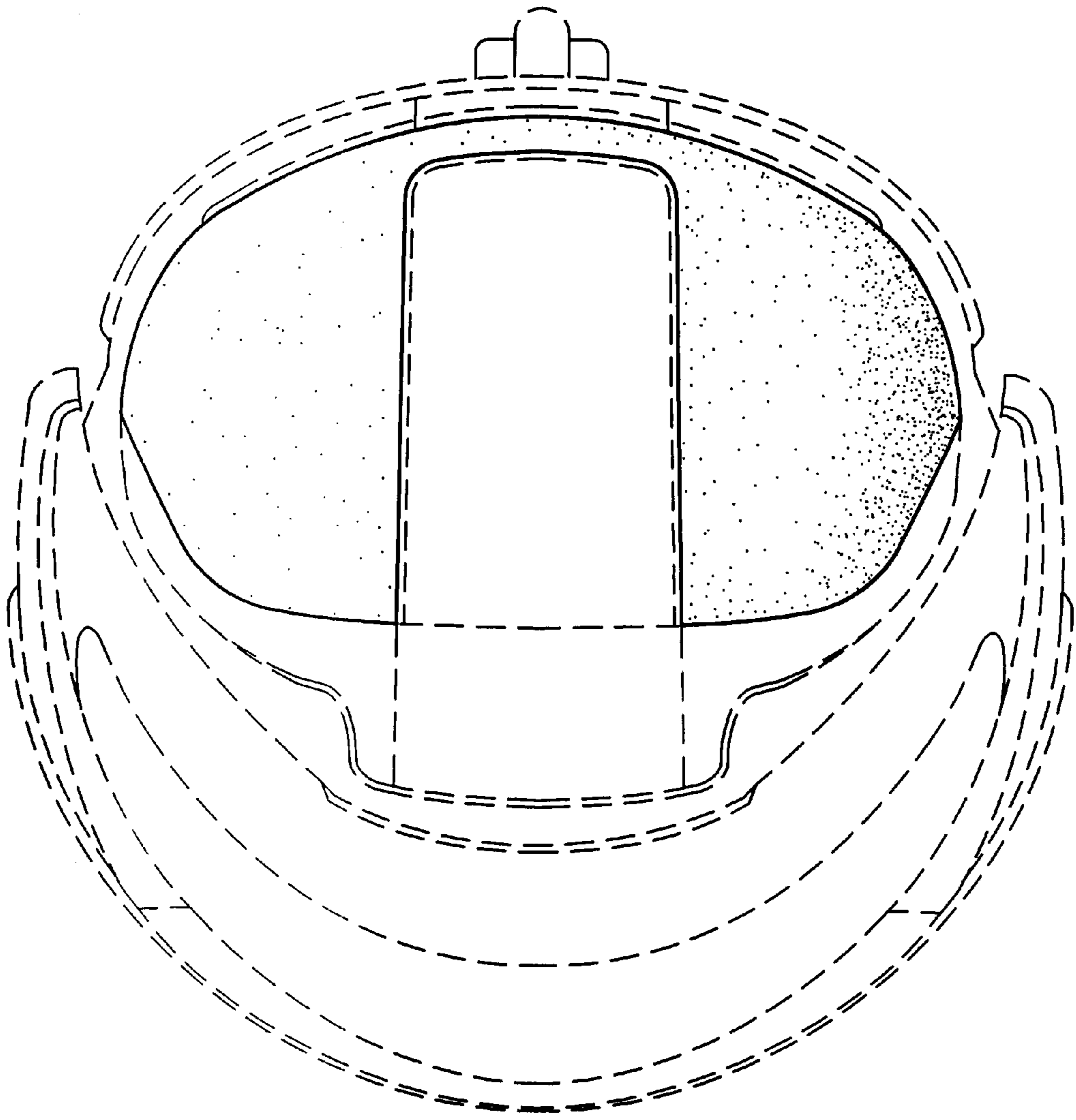


FIG-7

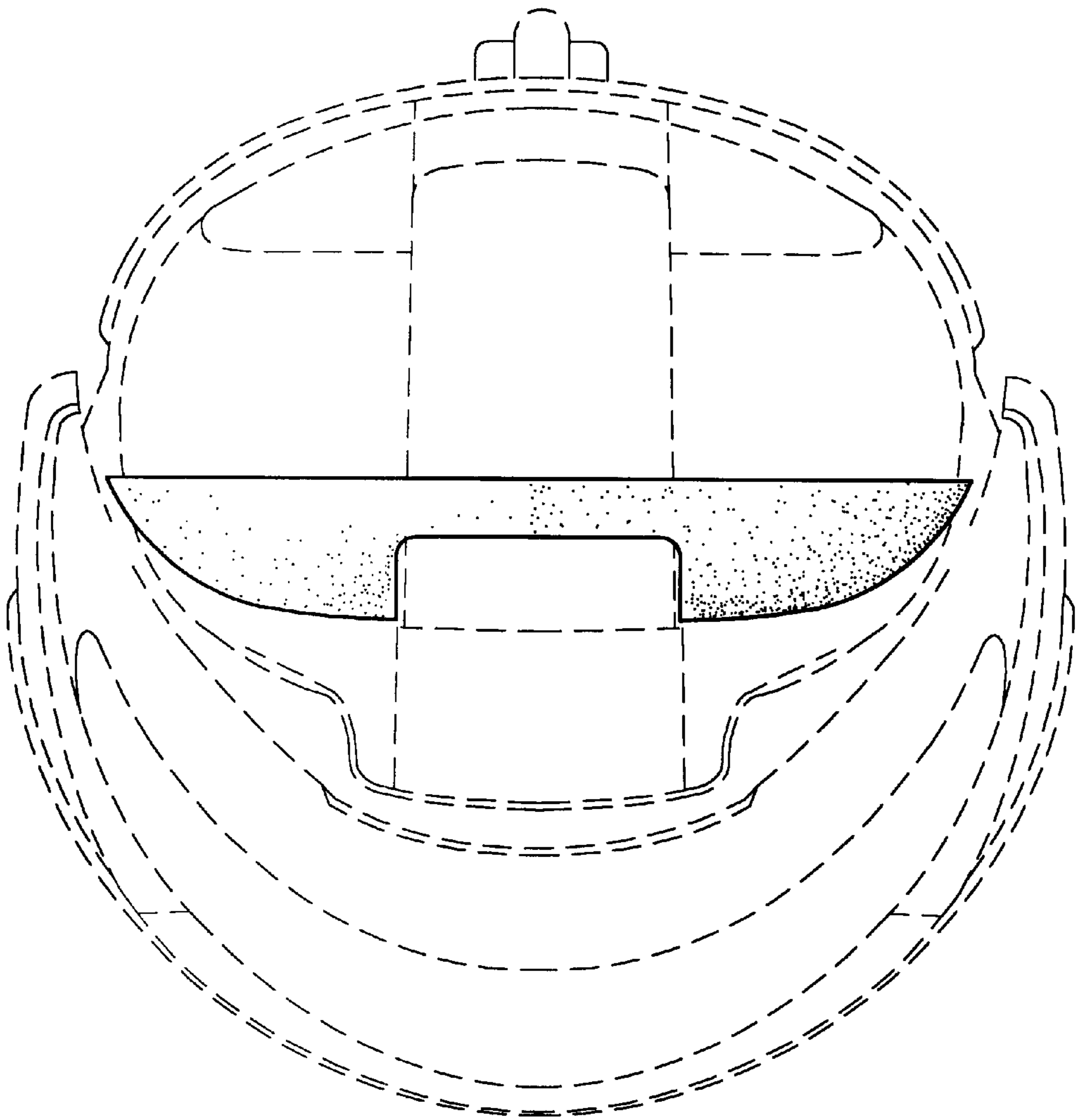


FIG-8