



US00D473981S

(12) **United States Design Patent**
Wareham

(10) **Patent No.:** **US D473,981 S**

(45) **Date of Patent:** **** Apr. 29, 2003**

(54) **UPPER PORTION FOR AN UPRIGHT EXTRACTOR**

(75) **Inventor:** **Richard A. Wareham**, North Canton, OH (US)

(73) **Assignee:** **The Hoover Company**, North Canton, OH (US)

(**) **Term:** **14 Years**

(21) **Appl. No.:** **29/157,237**

(22) **Filed:** **Mar. 14, 2002**

(51) **LOC (7) Cl.** **15-05**

(52) **U.S. Cl.** **D32/22**

(58) **Field of Search** D32/21-22, 31-34, D32/25; 15/347, 350-353, 320-322, 361, 377, 415.1-422.1, 410, 383, 329

(56) **References Cited**

U.S. PATENT DOCUMENTS

- D309,203 S * 7/1990 Goodrich D32/22
- D343,707 S 1/1994 Dyson D32/22
- D365,669 S * 12/1995 Piccaluga et al. D32/22
- D421,164 S 2/2000 Luebbering D32/22

- D435,945 S * 1/2001 Ikeno et al. D32/22
- D439,379 S * 3/2001 Gammack et al. D32/22
- D455,530 S * 4/2002 Fujii D32/22
- D455,876 S * 4/2002 Arney et al. D32/22

* cited by examiner

Primary Examiner—Ruth McInroy

(74) *Attorney, Agent, or Firm*—A. Burgess Lowe; Brett A. Schenck

(57) **CLAIM**

The ornamental design for an upper portion for an upright extractor, as shown and described.

DESCRIPTION

FIG. 1 is a top, front and right side perspective view of an upper portion for an upright extractor showing my new design;

FIG. 2 is a front view thereof;

FIG. 3 is a right side elevational view thereof;

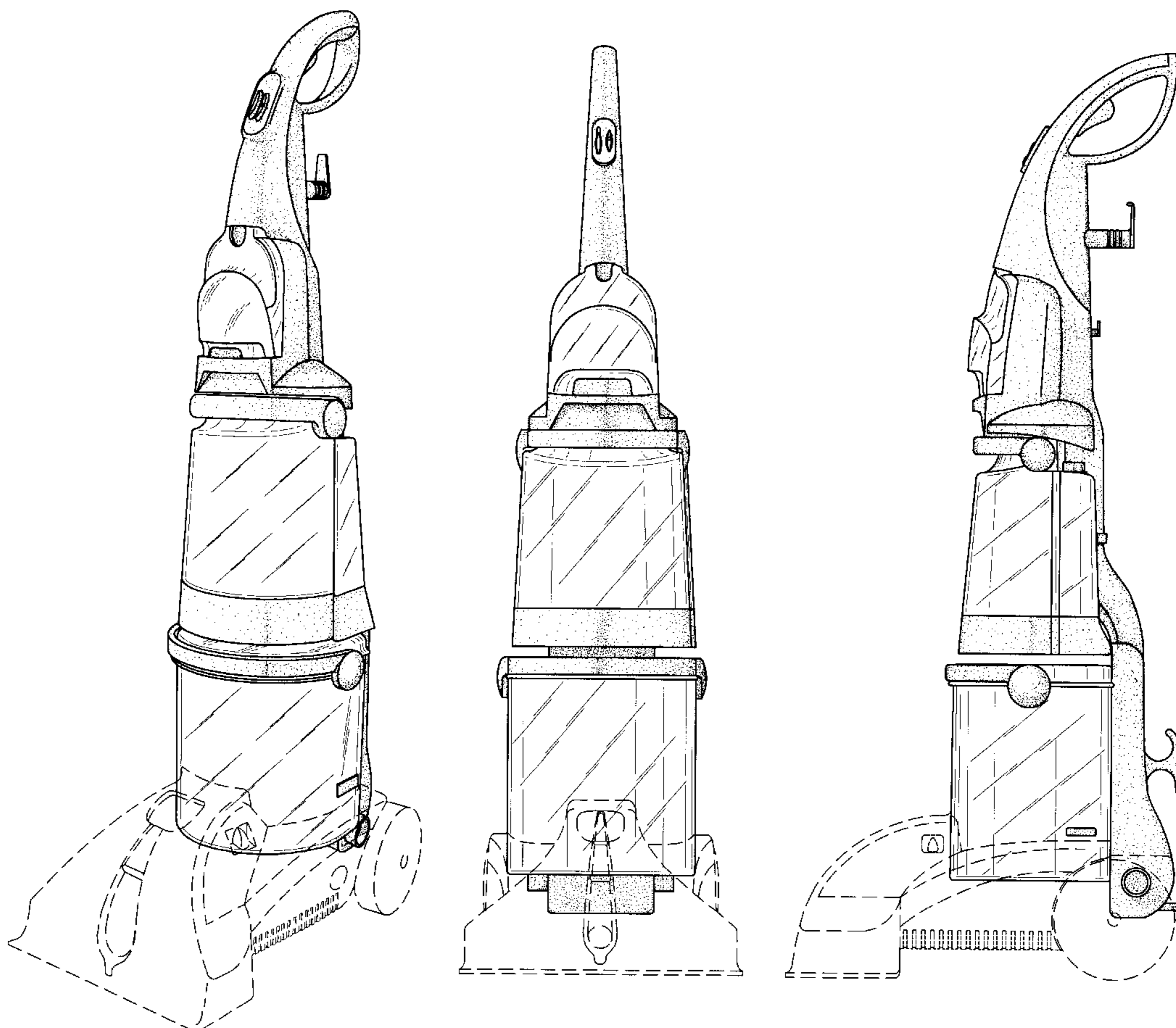
FIG. 4 is a left side elevational view thereof;

FIG. 5 is a rear view thereof; and,

FIG. 6 is a top plan view thereof.

The details shown in broken lines are shown for illustrative purposes only and form no part of the claimed design.

1 Claim, 6 Drawing Sheets



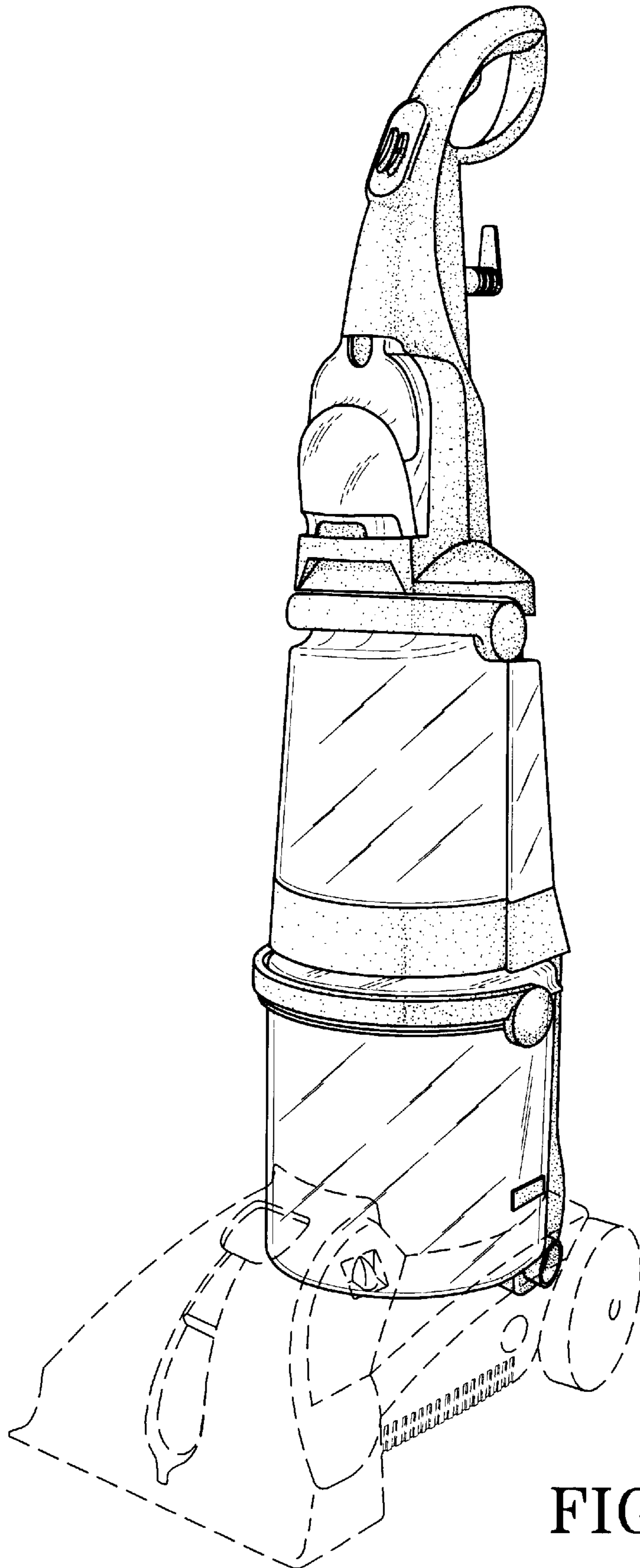


FIG-1

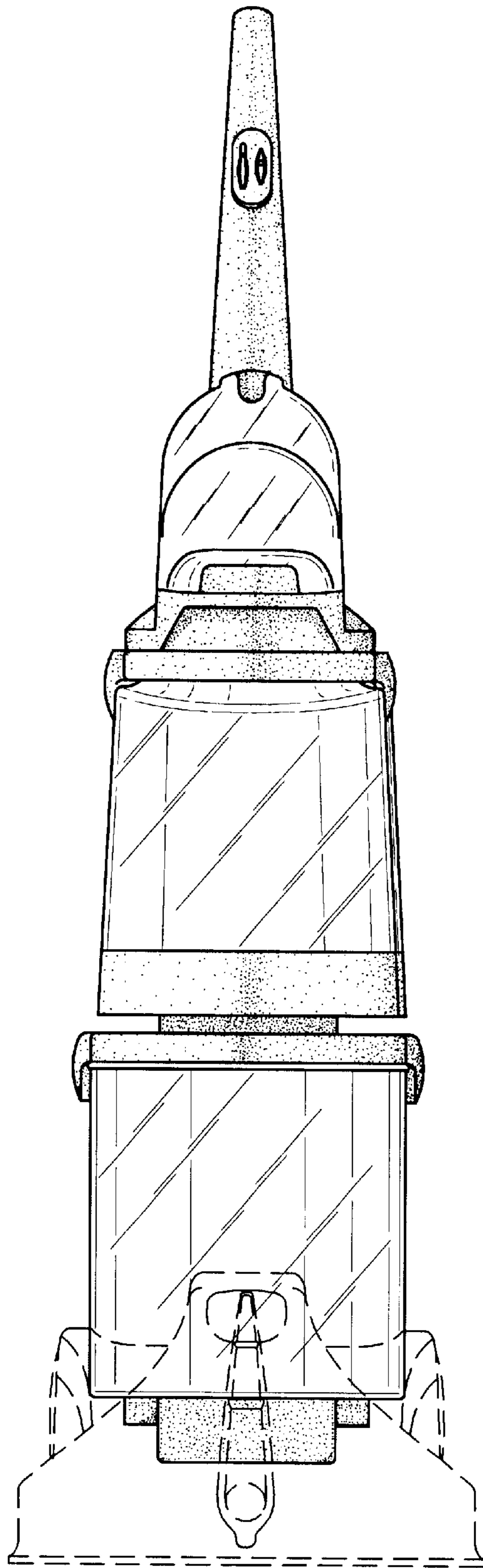


FIG-2

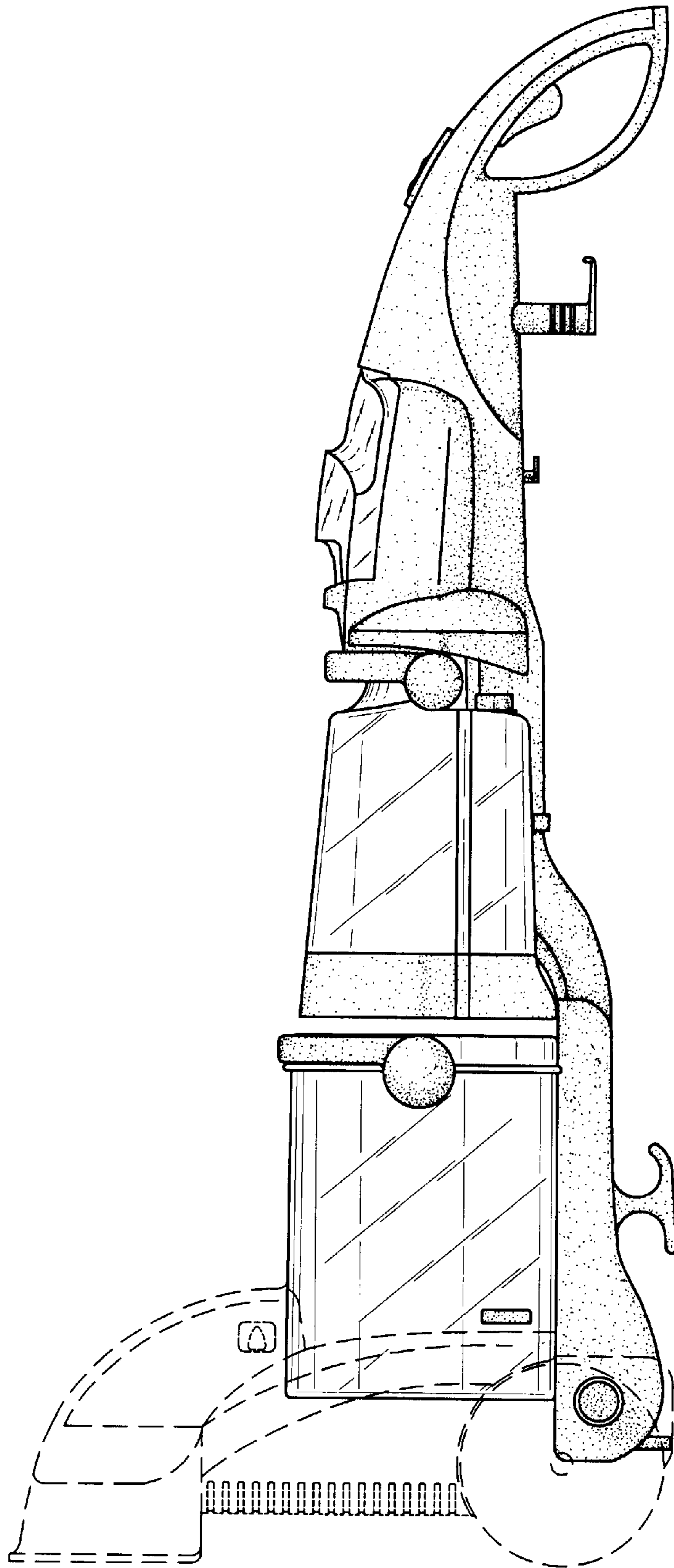


FIG-3

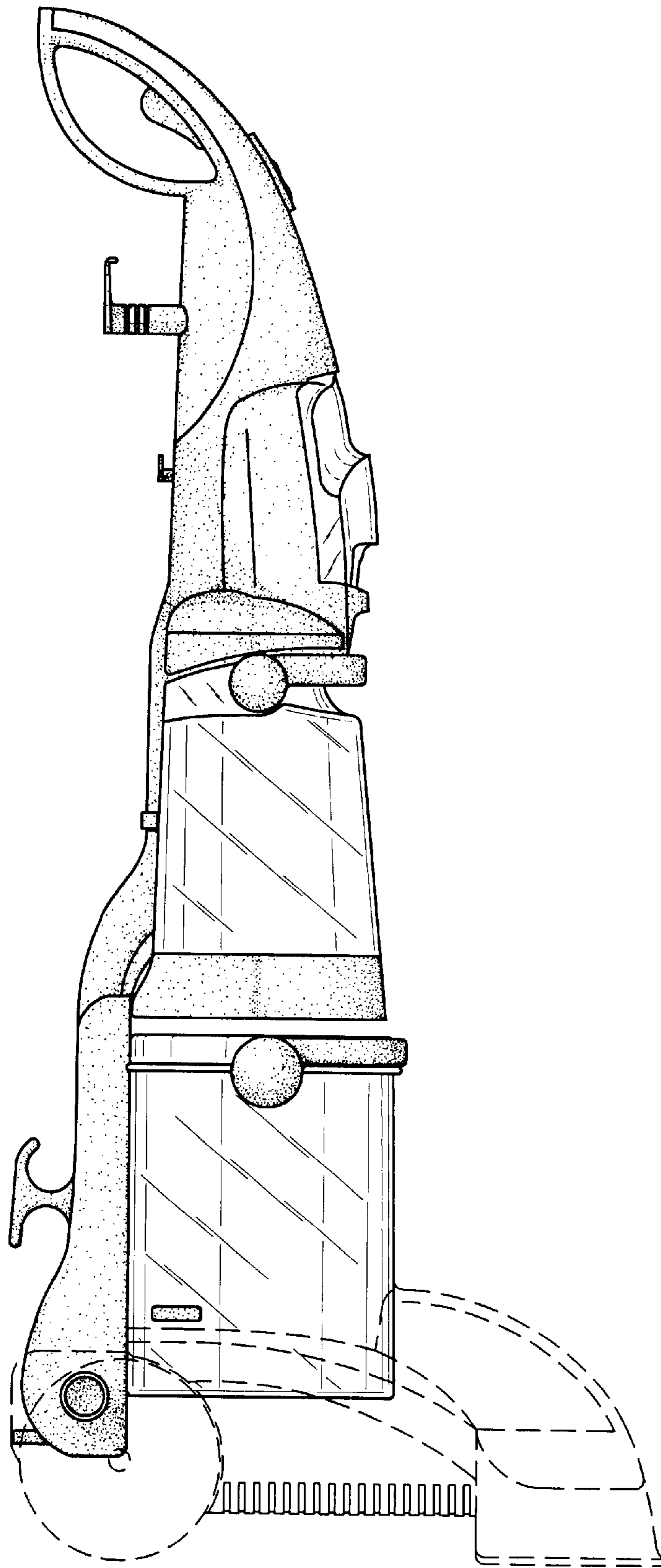


FIG-4

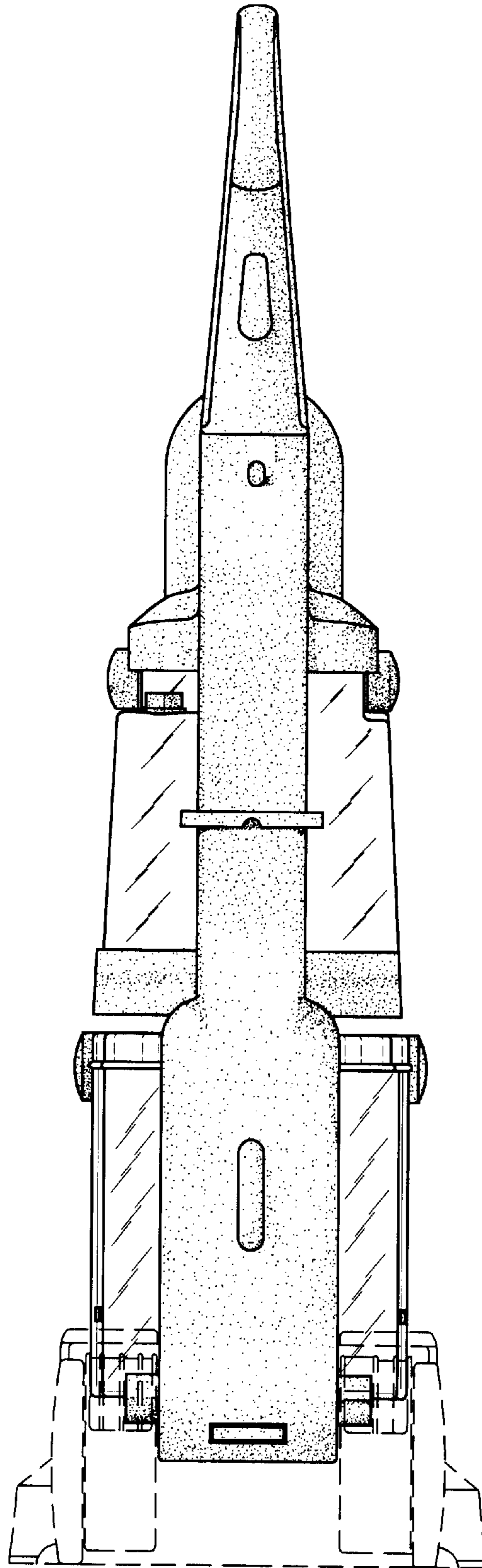


FIG-5

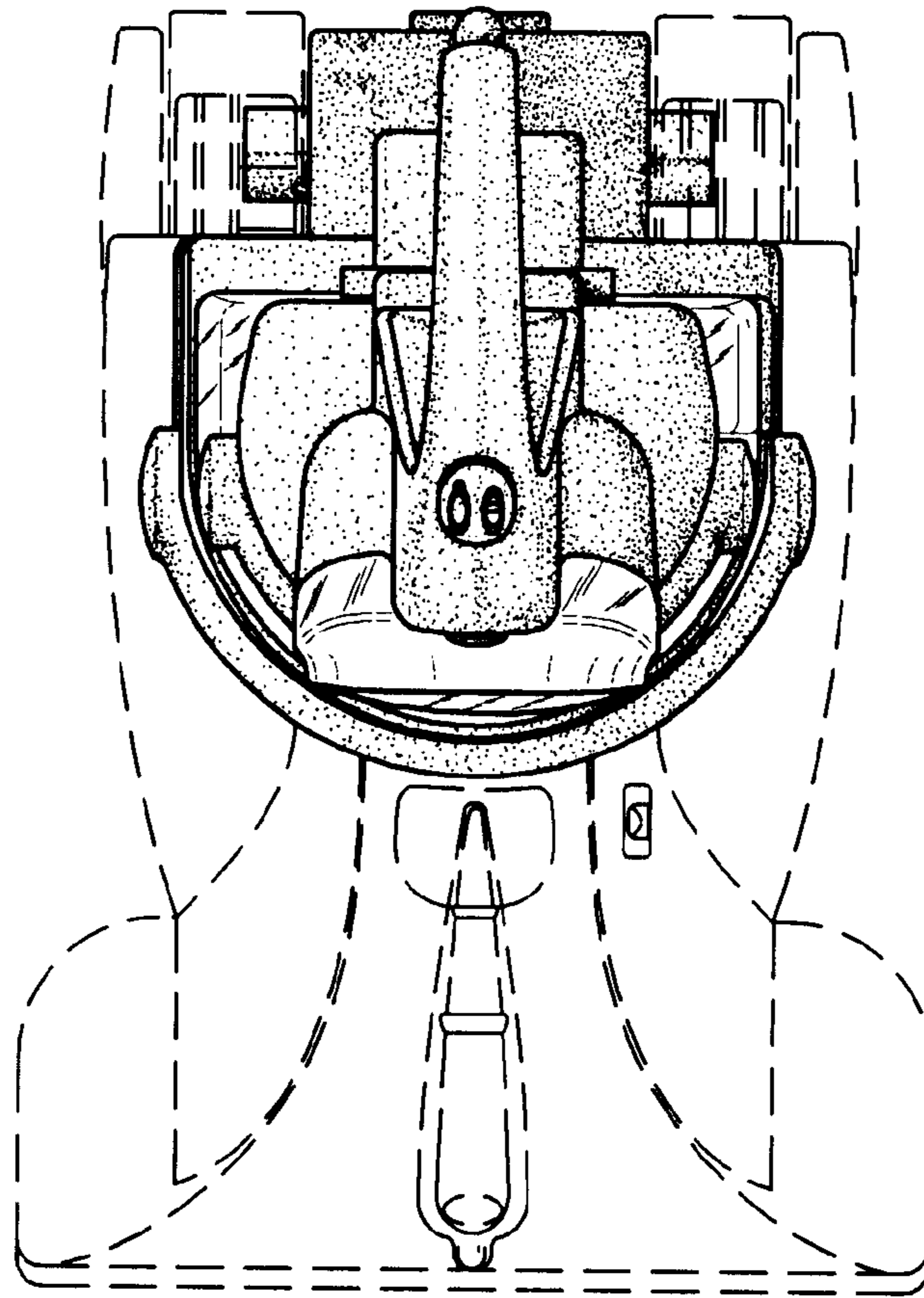


FIG-6