



US00D473977S

(12) **United States Design Patent**
Lesosky

(10) **Patent No.:** **US D473,977 S**

(45) **Date of Patent:** **** Apr. 29, 2003**

(54) **KNEEPAD**

(76) **Inventor:** **Thomas Jeffrey Lesosky, 2655 - 133rd**
St., Surrey, BC (CA), V4P 1X9

(**) **Term:** **14 Years**

(21) **Appl. No.:** **29/166,820**

(22) **Filed:** **Sep. 5, 2002**

(51) **LOC (7) Cl.** **29-02**

(52) **U.S. Cl.** **D29/121.1**

(58) **Field of Search** **D29/121.1, 122,**
D29/100, 120.1; D24/190; 2/24, 267, 911,
16, 62, 455; 602/26

(56) **References Cited**

U.S. PATENT DOCUMENTS

D361,163 S	*	8/1995	Chen	D29/121.1
D377,851 S	*	2/1997	Dancyger	D29/121.1
D380,876 S	*	7/1997	Campbell	D29/121.1
D406,677 S	*	3/1999	Koschmann et al.	D29/121.1

D408,596 S	*	4/1999	Dancyger	D29/121.1
6,223,350 B1	*	5/2001	McFarlane	2/24
6,317,888 B1	*	11/2001	McFarlane	2/24
D456,955 S	*	5/2002	Pytlewski	D29/121.1

* cited by examiner

Primary Examiner—Lucy Lieberman

(74) *Attorney, Agent, or Firm*—Paul Smith Intellectual Property Law; Paul Smith

(57) **CLAIM**

The ornamental design for a kneepad, as shown.

DESCRIPTION

FIG. 1 is a front perspective view of a kneepad showing my new design;

FIG. 2 is a top view thereof;

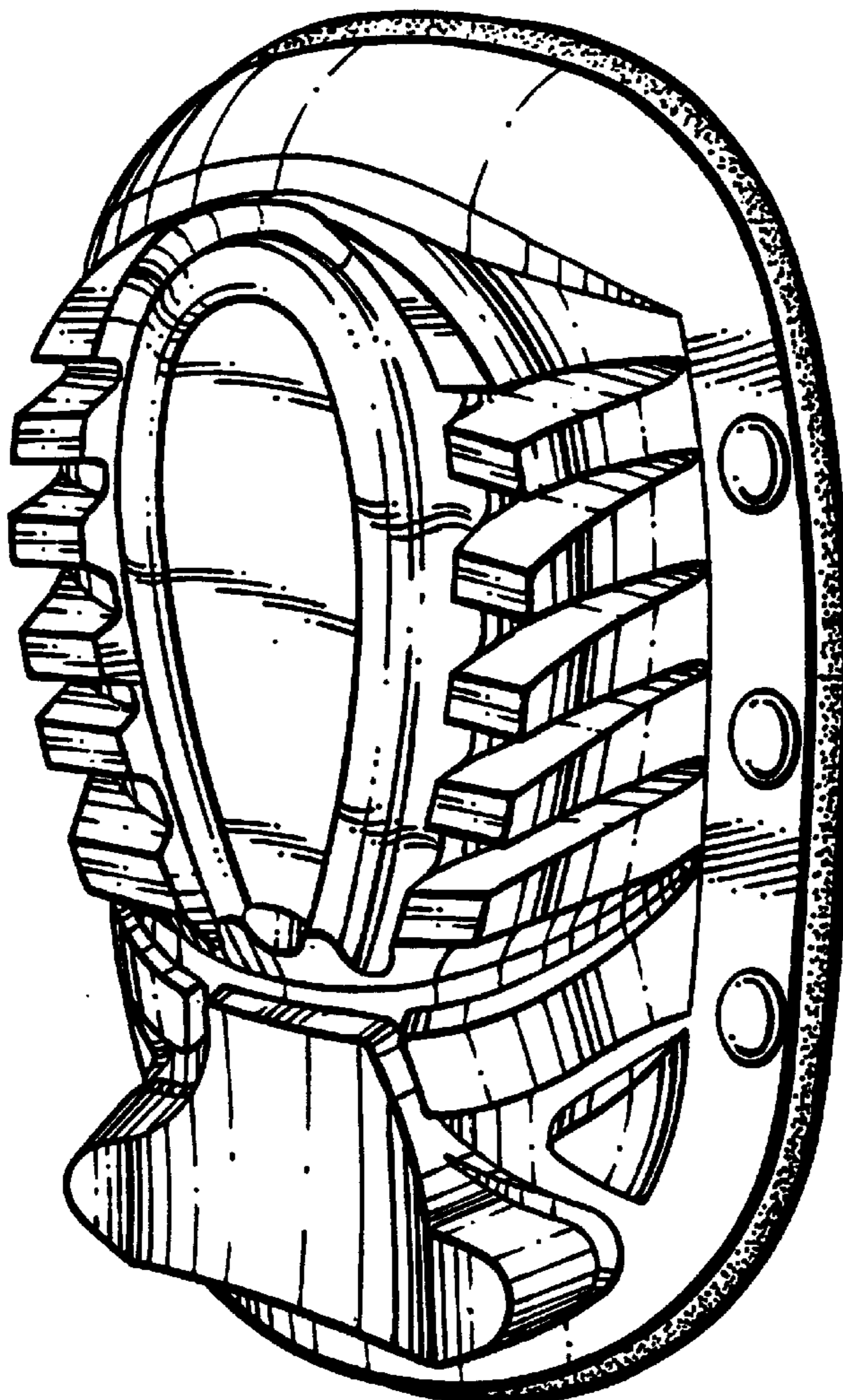
FIG. 3 is a front view thereof;

FIG. 4 is a bottom view thereof;

FIG. 5 is a rear view thereof; and,

FIG. 6 is a right side view thereof.

1 Claim, 3 Drawing Sheets



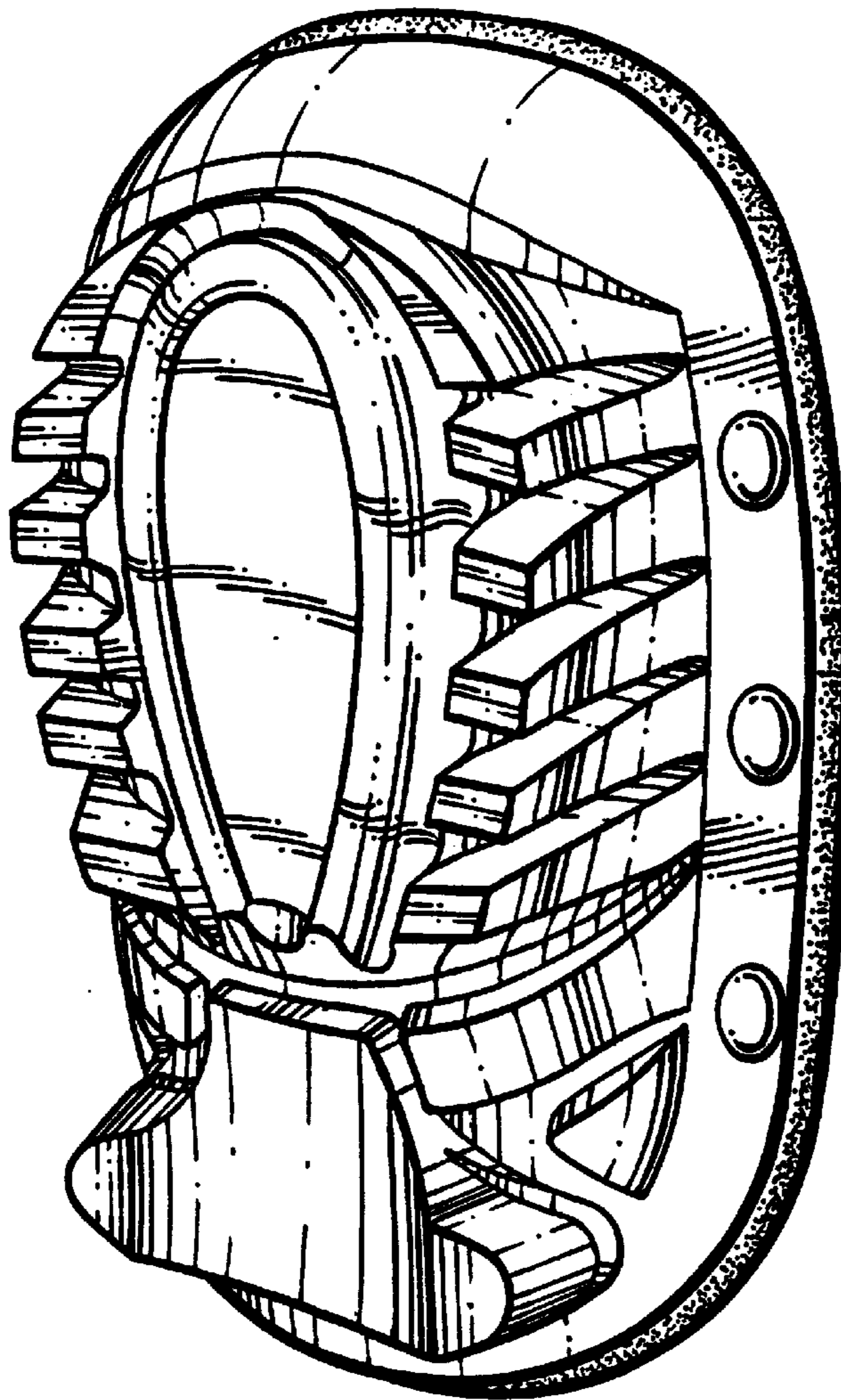


FIG. 1

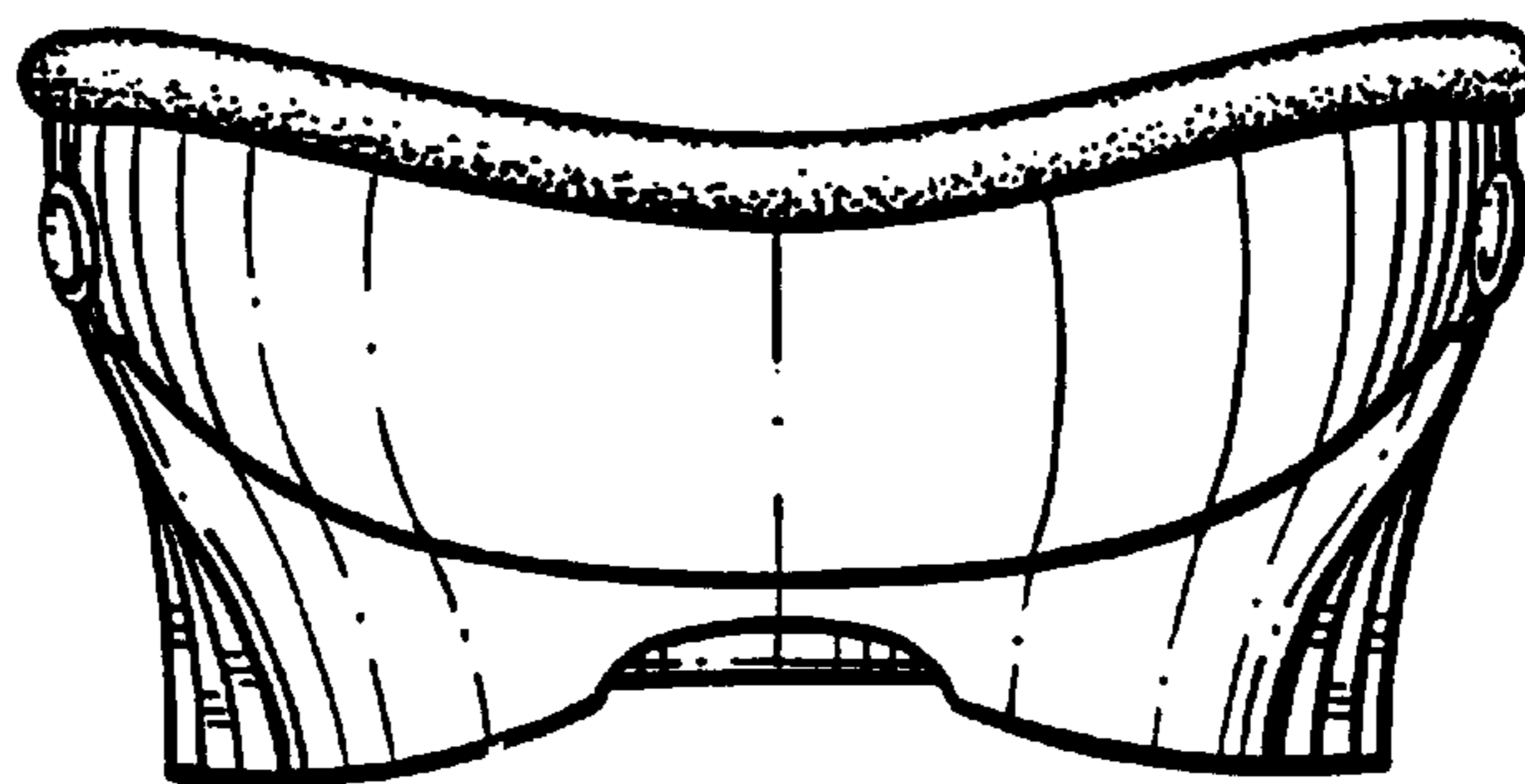


FIG. 2

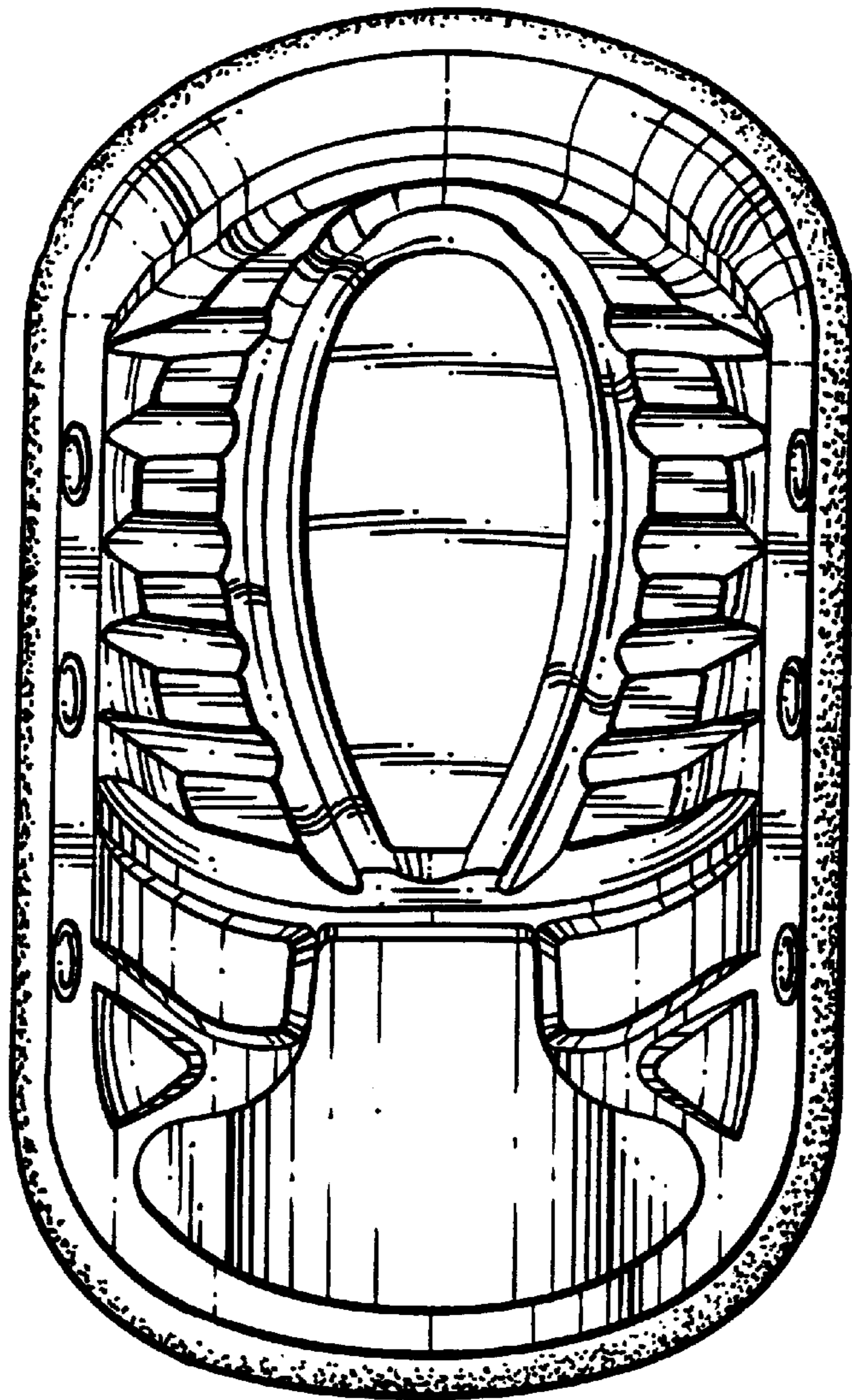


FIG. 3

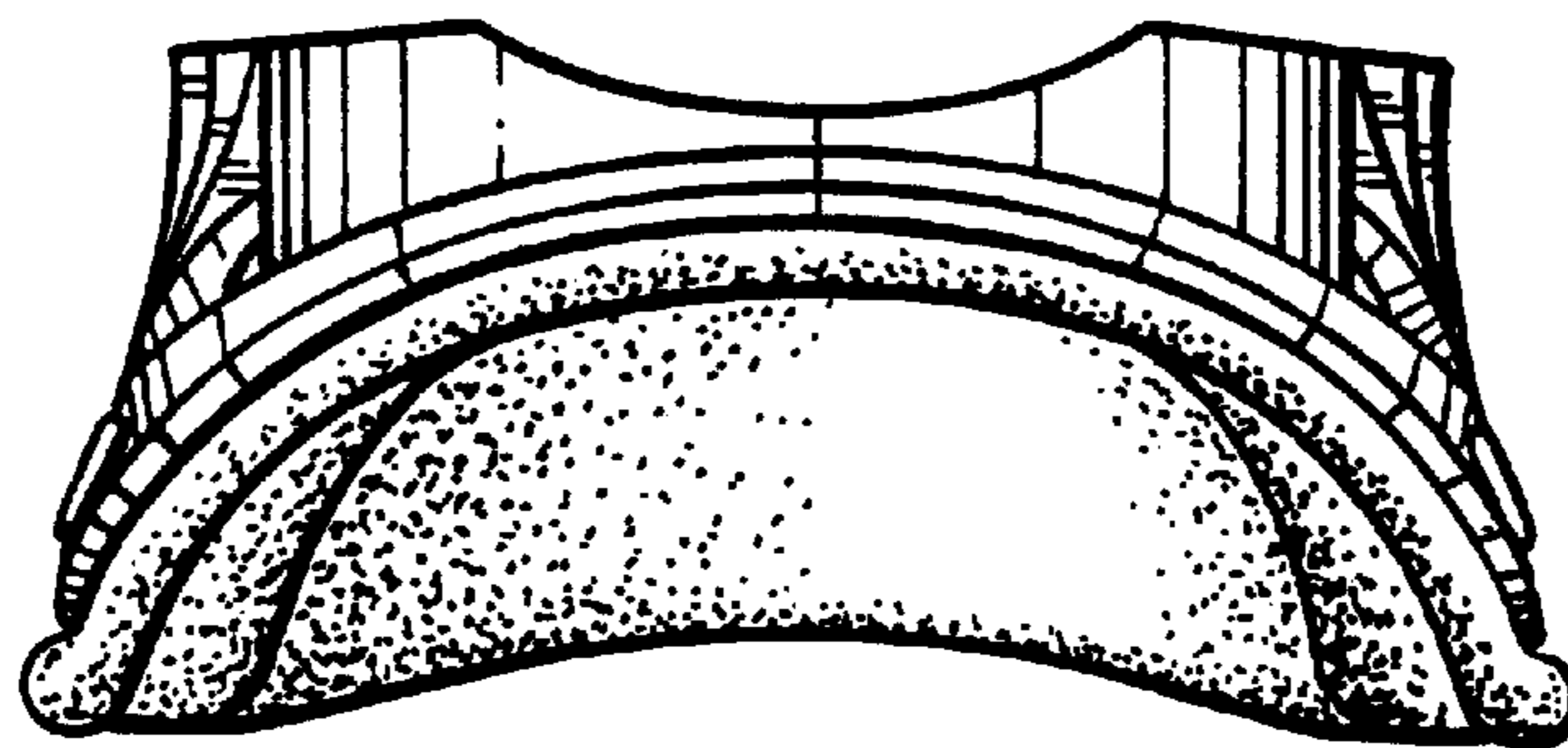


FIG. 4

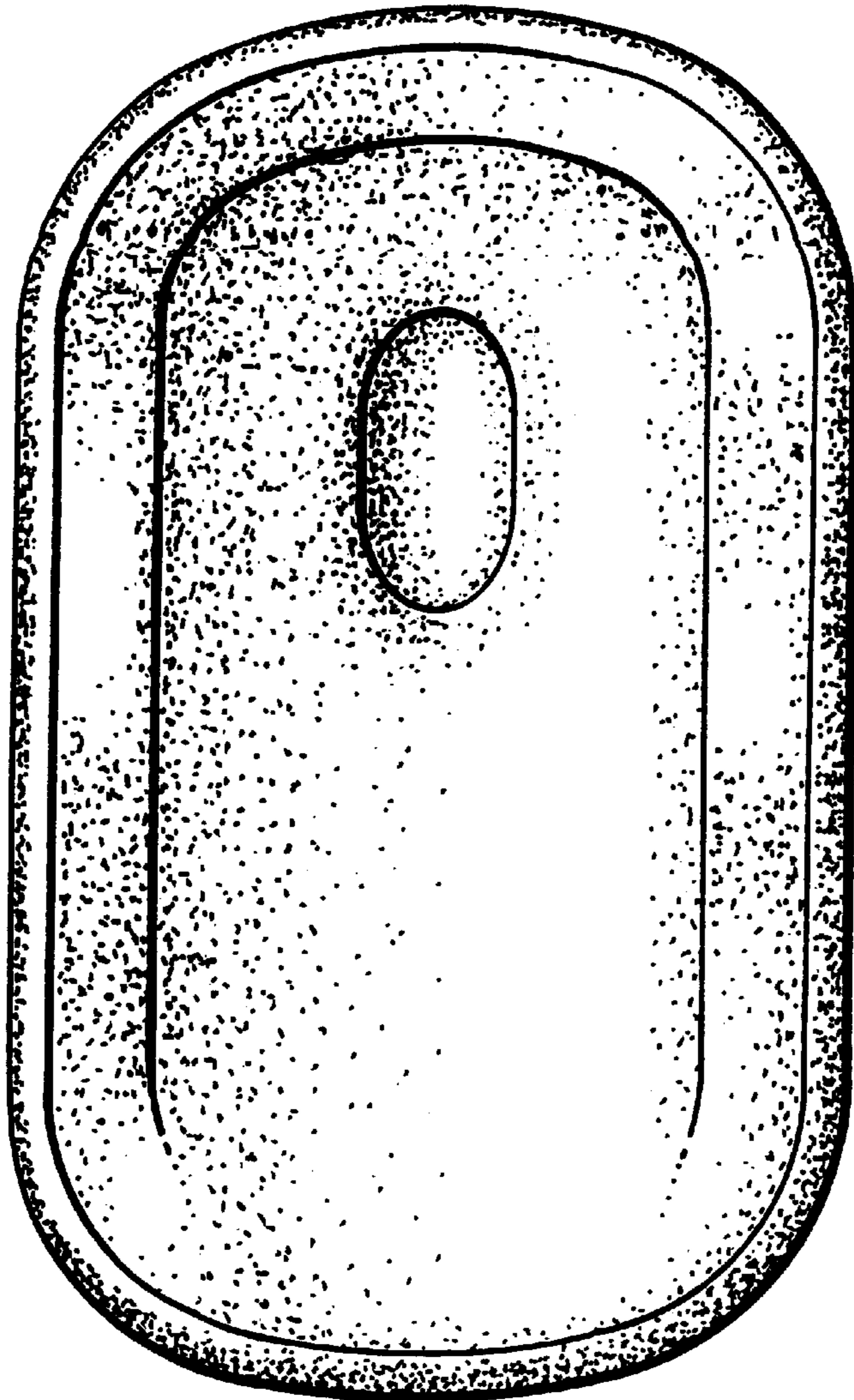


FIG. 5

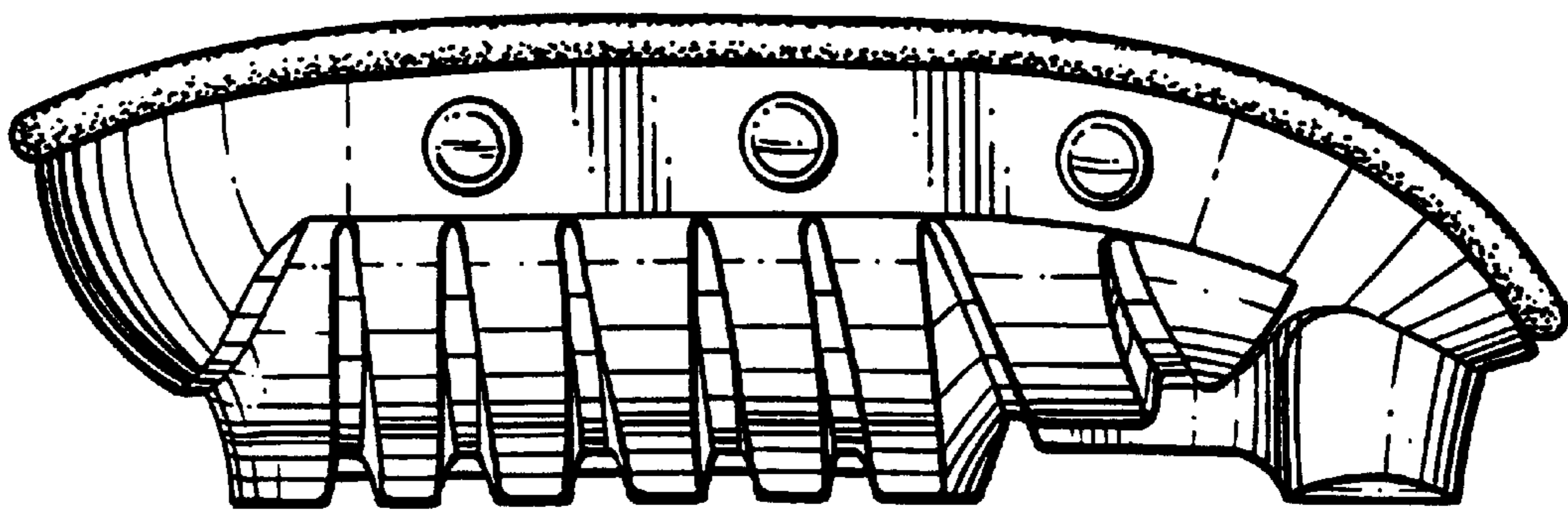


FIG. 6