



US00D473976S

(12) **United States Design Patent**  
**Wilkens**

(10) **Patent No.:** **US D473,976 S**

(45) **Date of Patent:** **\*\* Apr. 29, 2003**

(54) **MOUTH GUARD**

4,044,762 A \* 8/1977 Jacobs ..... 128/861  
5,063,940 A \* 11/1991 Adell et al. .... 128/861

(75) Inventor: **Paul Wilkens**, Tampa, FL (US)

\* cited by examiner

(73) Assignee: **Ortho Technology**, Tampa, FL (US)

*Primary Examiner*—Ruth McInroy

(\*\*) Term: **14 Years**

(74) *Attorney, Agent, or Firm*—Arthur W. Fisher, III

(21) Appl. No.: **29/151,122**

(57) **CLAIM**

(22) Filed: **Oct. 25, 2001**

I claim the ornamental design for a mouth guard, as shown and described.

(51) **LOC (7) Cl.** ..... **29-02**

**DESCRIPTION**

(52) **U.S. Cl.** ..... **D29/108**

(58) **Field of Search** ..... D29/100, 108,  
D29/122; D24/189–191, 176; 2/455, 9,  
422, 424, 425; 128/859–862

FIG. 1 is a front view of the mouth guard of the present invention.

FIG. 2 is a rear view of the mouth guard of the present invention.

FIG. 3 is a bottom view of the mouth guard of the present invention.

FIG. 4 is a left side view of the mouth guard of the present invention.

FIG. 5 is a right side view of the mouth guard of the present invention; and,

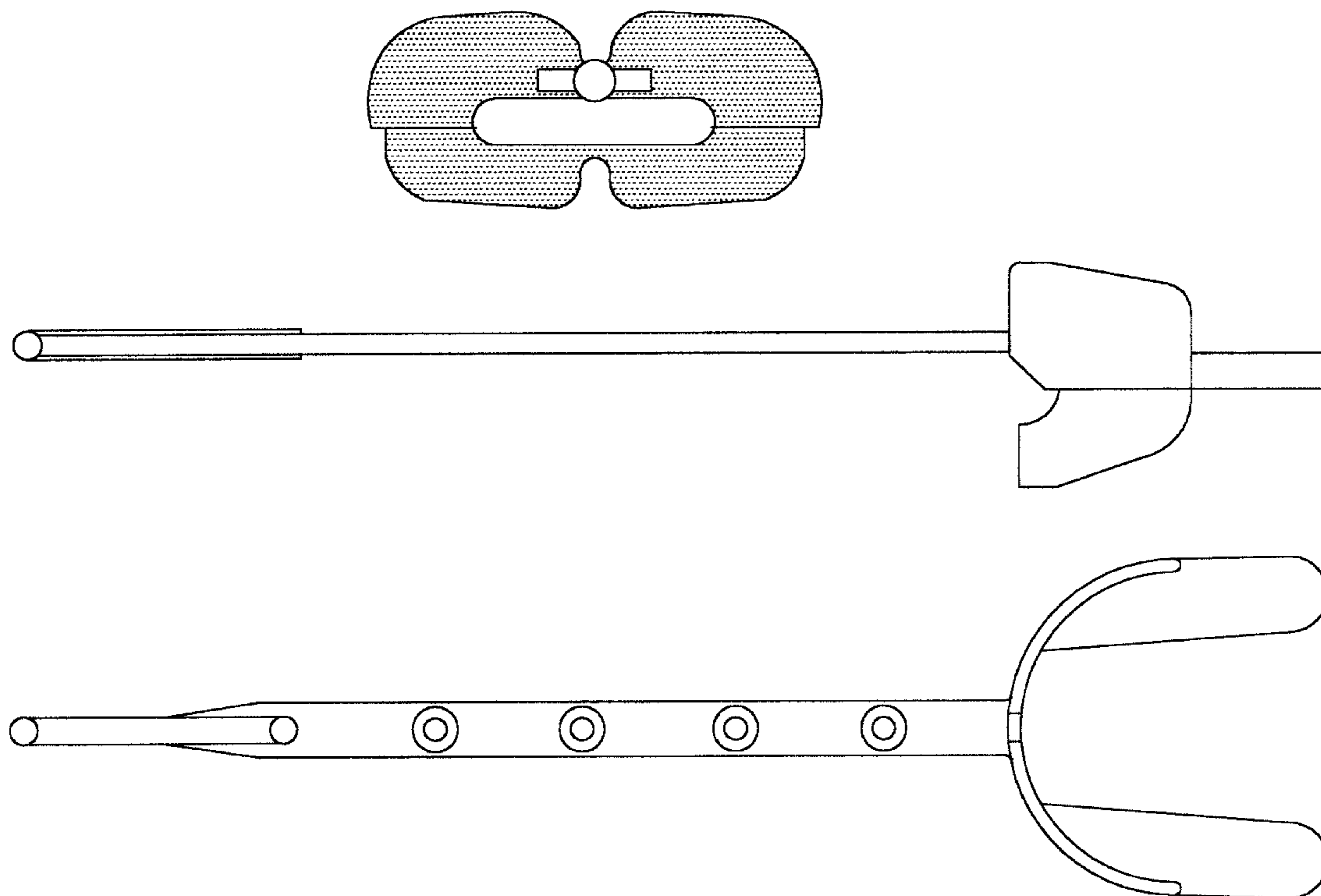
FIG. 6 is a top view of the mouth guard of the present invention.

(56) **References Cited**

**U.S. PATENT DOCUMENTS**

2,847,003 A	*	8/1958	Helmer et al.	.....	128/861
3,407,809 A	*	10/1968	Ross	.....	128/861
3,448,738 A	*	6/1969	Berghash	.....	128/861
3,485,242 A	*	12/1969	Greenberg	.....	128/862
3,682,164 A	*	8/1972	Miller	.....	128/857
3,692,025 A	*	9/1972	Greenberg	.....	128/857
D243,127 S	*	1/1977	Farquharson	.....	D29/108

**1 Claim, 3 Drawing Sheets**



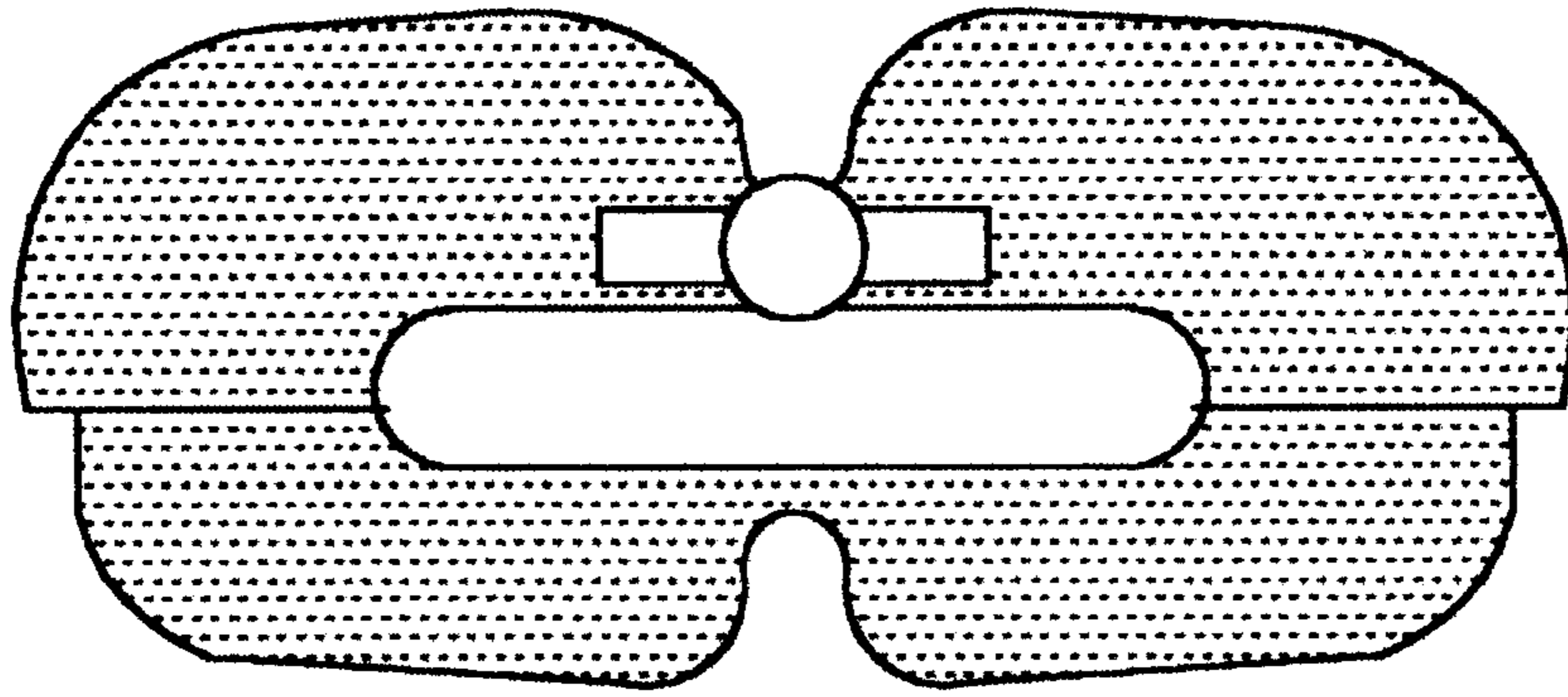


FIG. 1

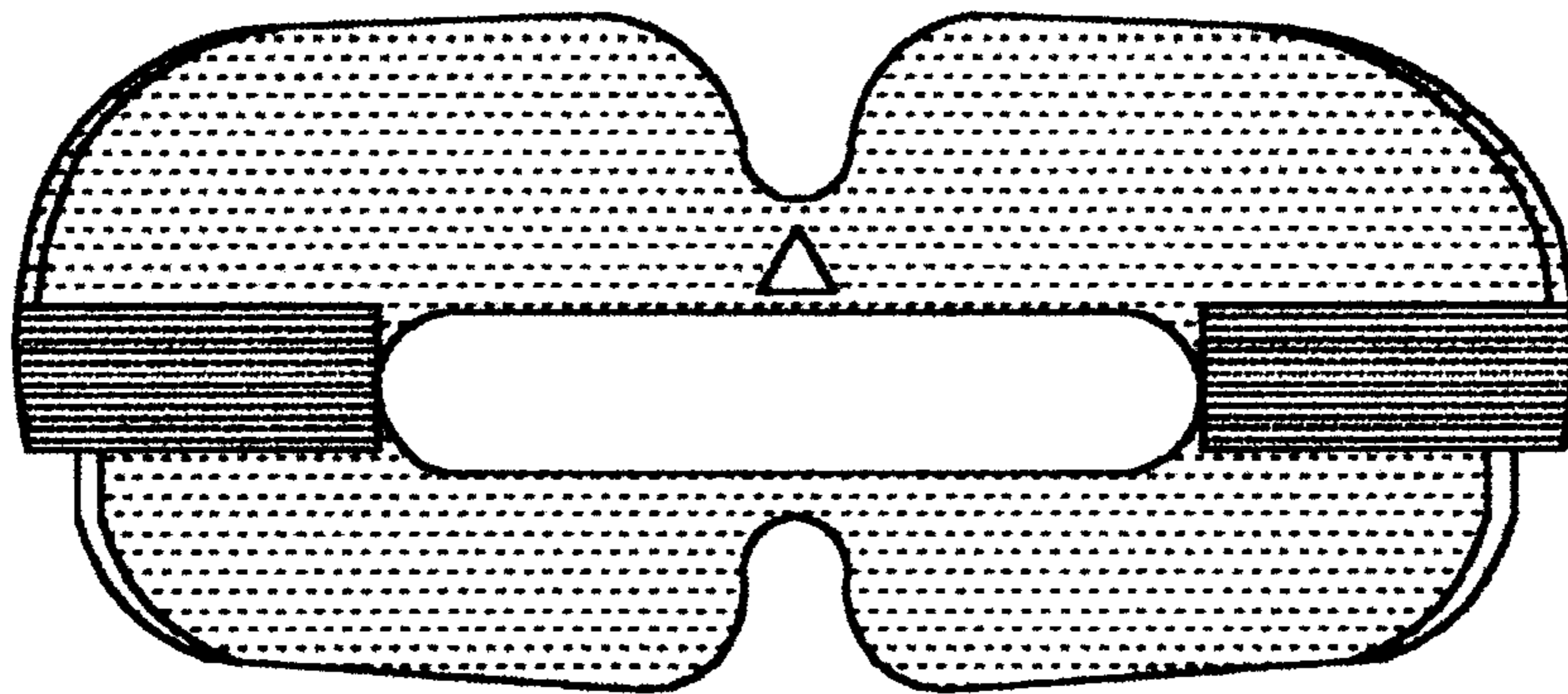


FIG. 2

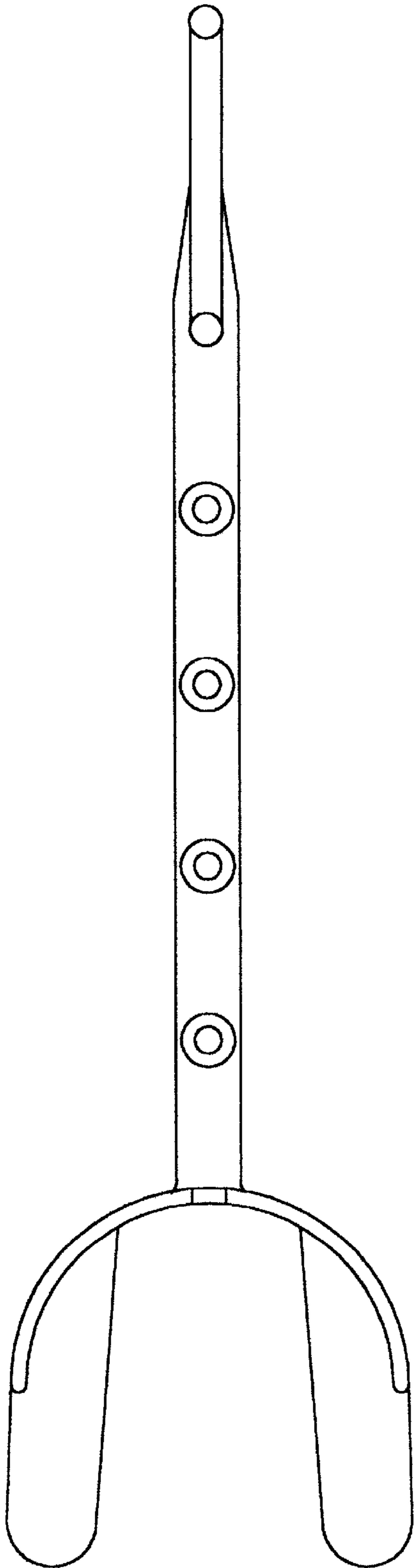


FIG. 3

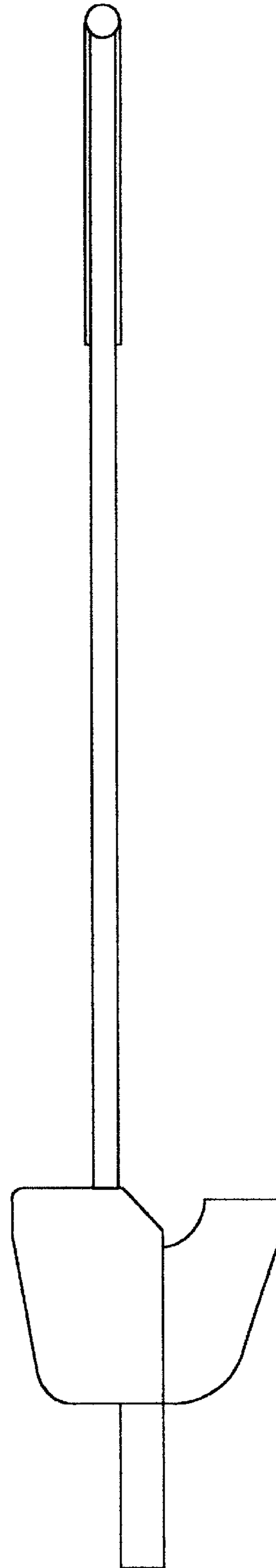


FIG. 4

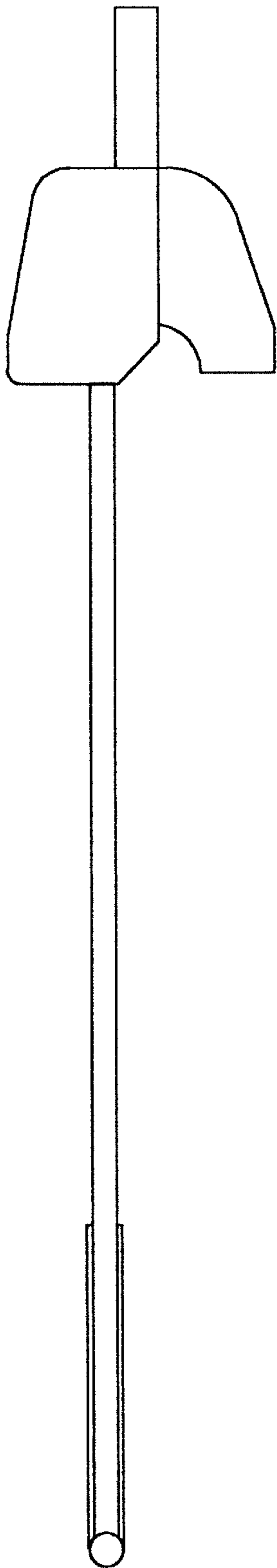


FIG. 5

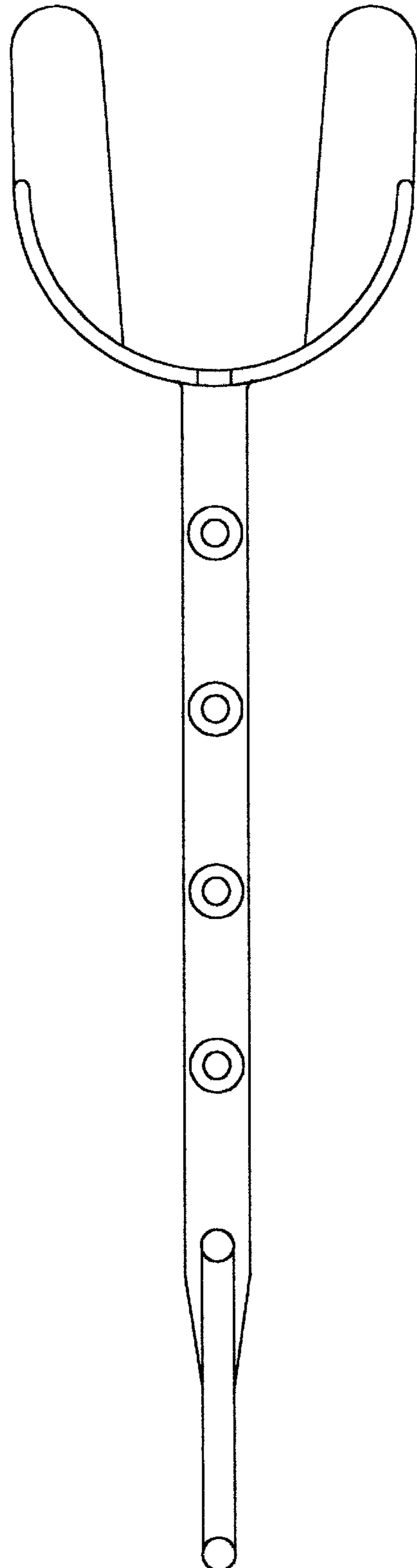


FIG. 6