



US00D473968S

(12) **United States Design Patent**
Matovinovic

(10) **Patent No.:** **US D473,968 S**

(45) **Date of Patent:** **** Apr. 29, 2003**

(54) **RACK WITH SPOTLIGHTS**

(75) Inventor: **Robert Matovinovic**, Müllheim (DE)

(73) Assignee: **Hydrosun Medizintechnik GmbH**,
Mullheim (DE)

(**) Term: **14 Years**

(21) Appl. No.: **29/143,447**

(22) Filed: **Jun. 14, 2001**

(30) **Foreign Application Priority Data**

Dec. 14, 2000 (DE) 400 11 848

(51) **LOC (7) Cl.** **26-03**

(52) **U.S. Cl.** **D26/102**

(58) **Field of Search** D26/93-112, 61-66,
D26/58; 362/410-414, 127, 134, 277, 282-285,
418-420, 401, 806; D6/399

(56) **References Cited**

U.S. PATENT DOCUMENTS

D397,234 S * 8/1998 Huang D26/63

5,788,361 A * 8/1998 Lee 362/806 X

5,964,524 A * 10/1999 Qian 362/414

D447,262 S * 8/2001 Leen D26/65

* cited by examiner

Primary Examiner—Alan P. Douglas

Assistant Examiner—Linda Brooks

(74) *Attorney, Agent, or Firm*—Fay Kaplun & Marcin, LLP

(57) **CLAIM**

The ornamental design for a rack with spotlights, as shown and described.

DESCRIPTION

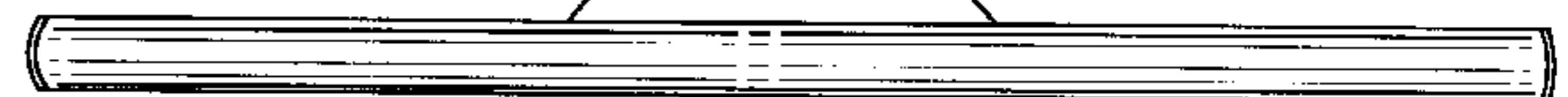
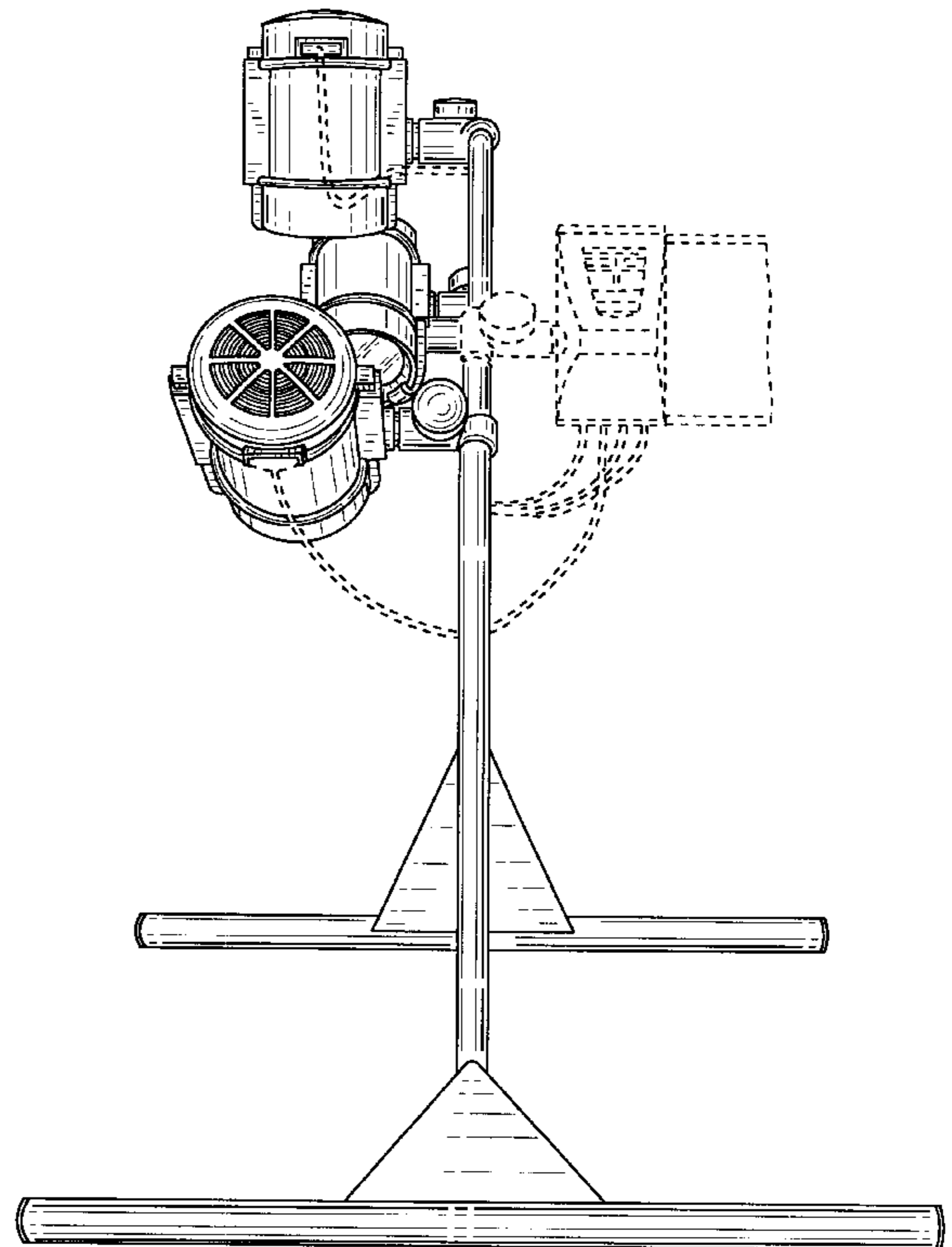
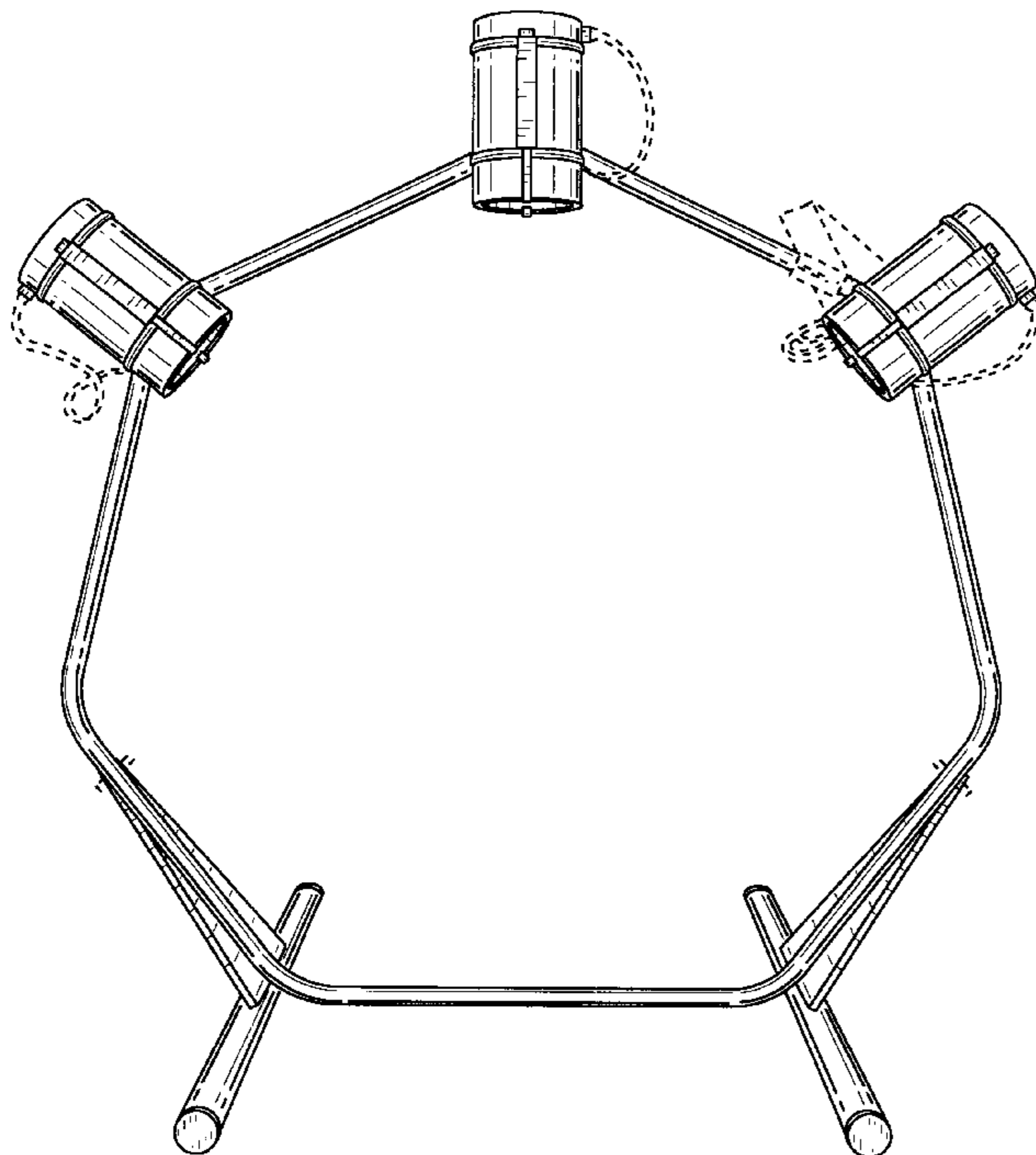
FIG. 1 shows a front view of the rack with spotlights according to the present invention.

FIG. 2 shows an enlarged back view of the rack with spotlights; and,

FIG. 3 shows an enlarged side view of the rack with spotlights.

The broken lines shown are for illustrative purposes only and form no part of the claimed design.

1 Claim, 3 Drawing Sheets



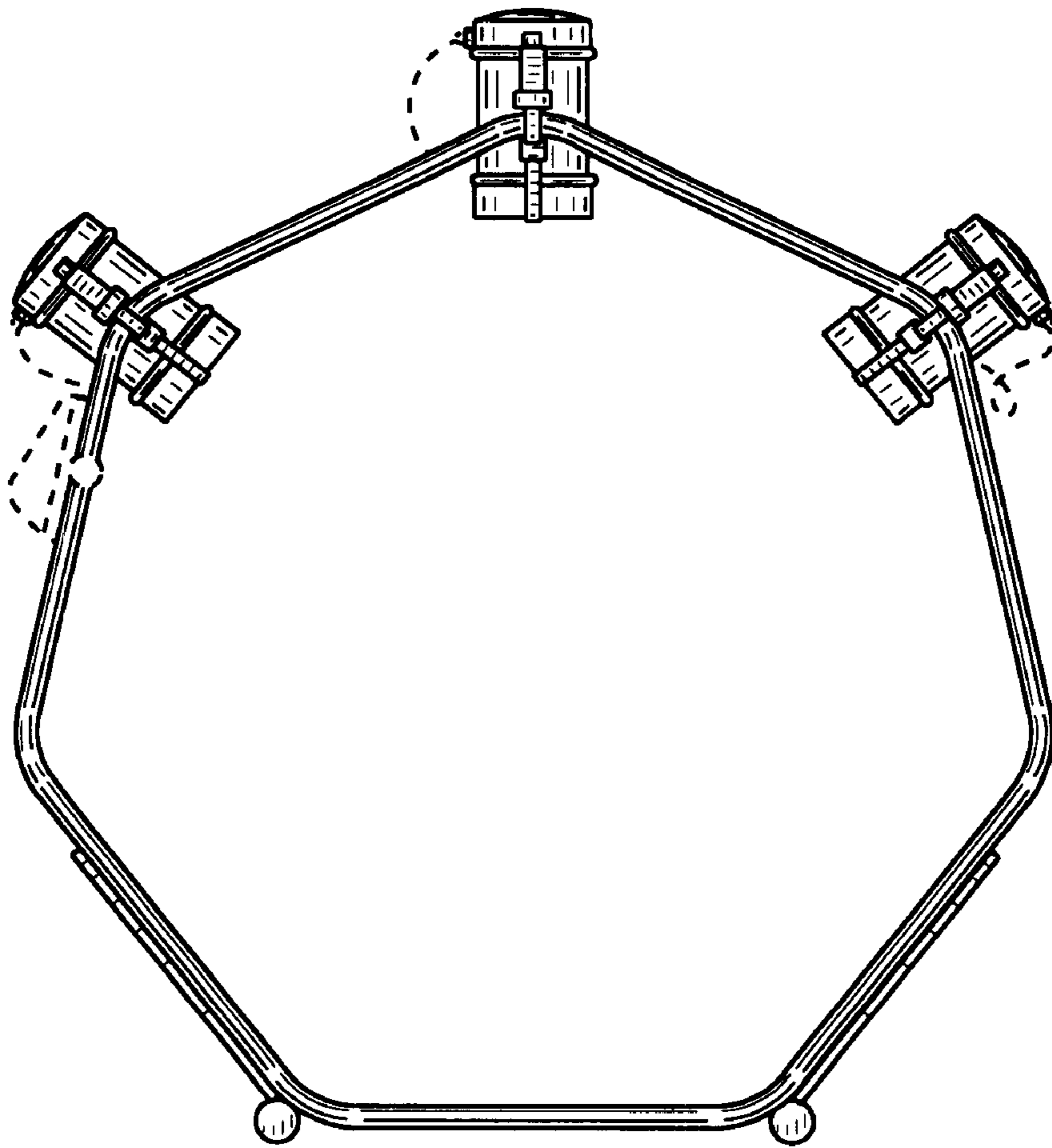


FIG. 1

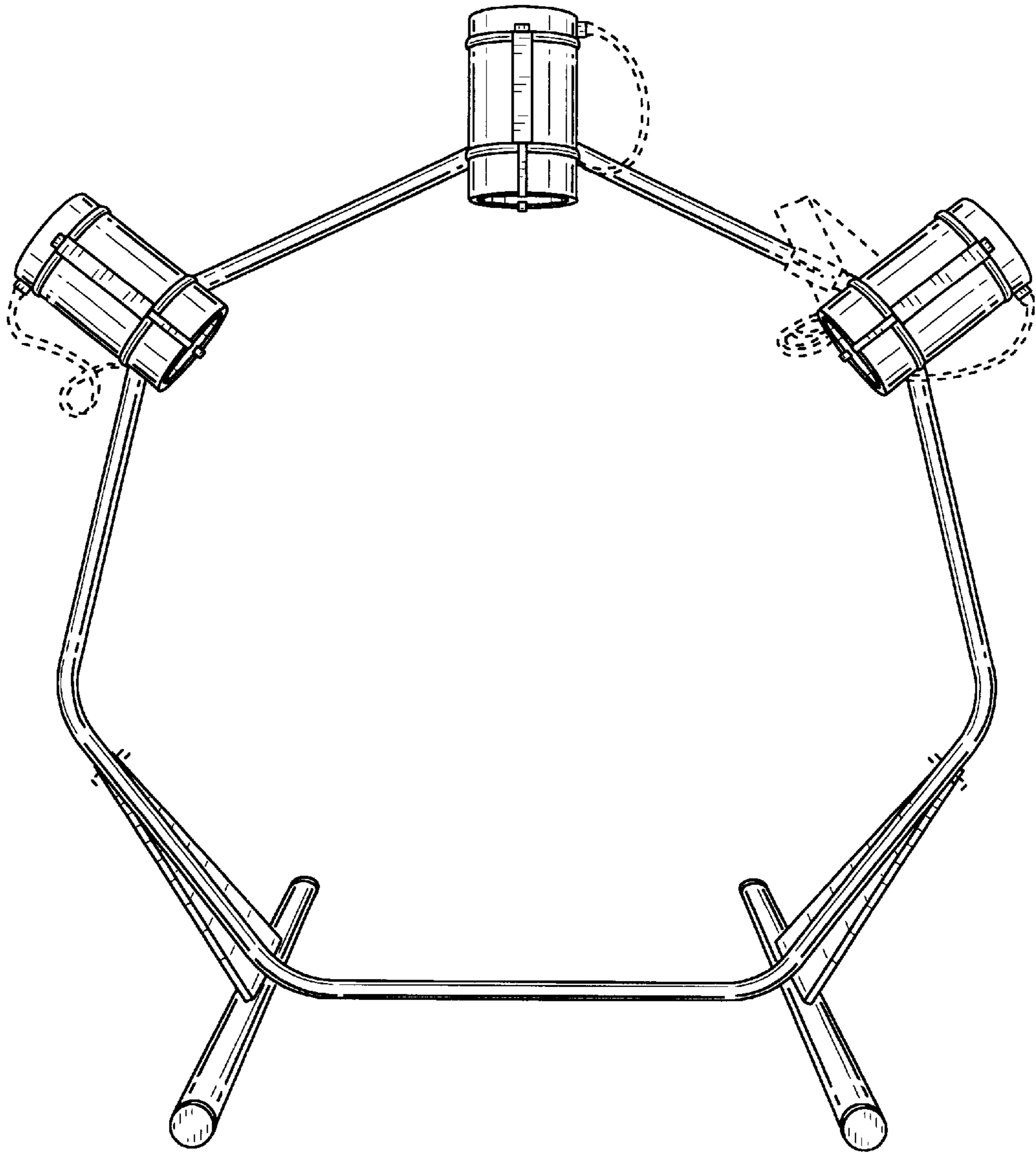


FIG. 2

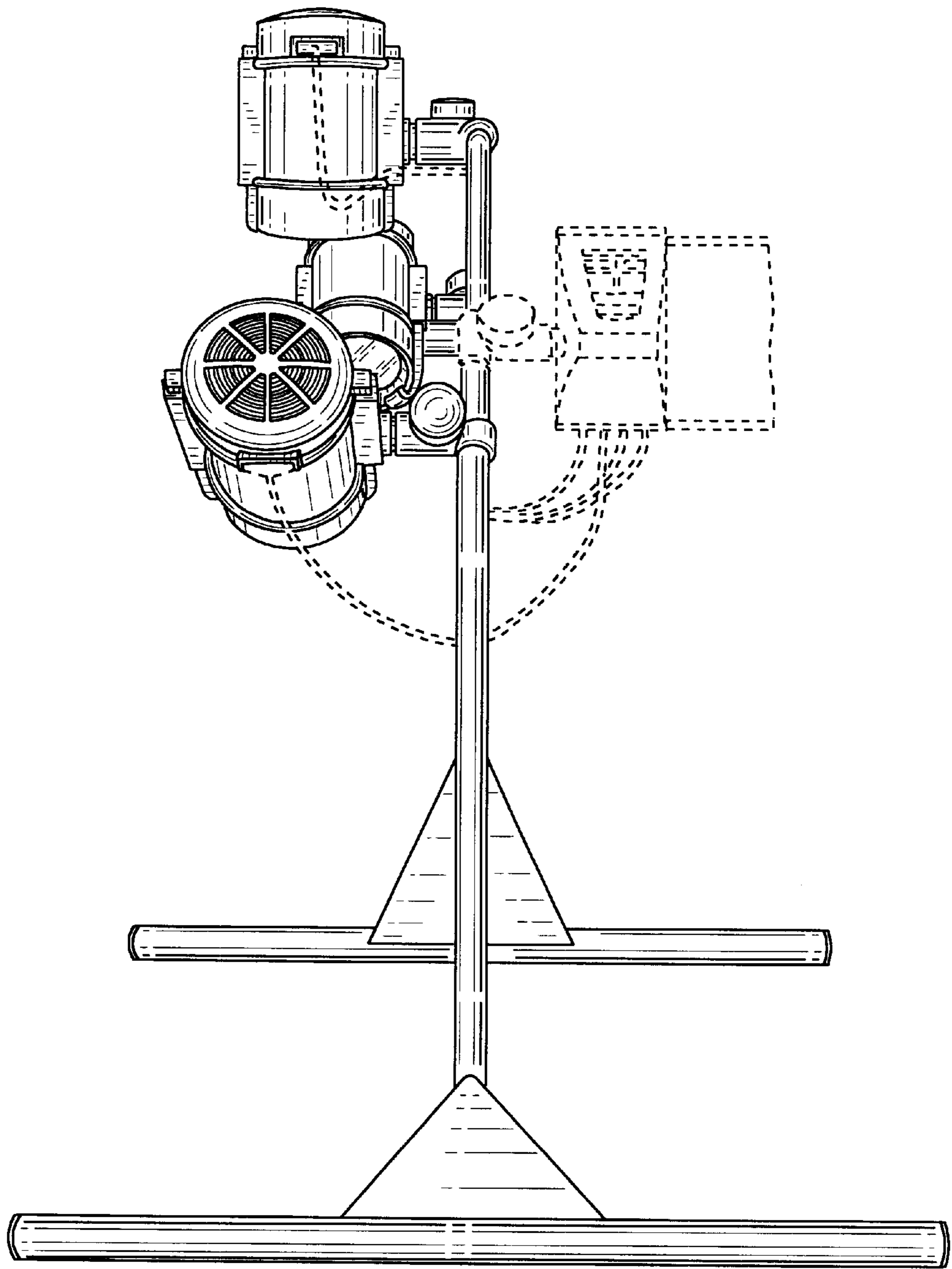


FIG. 3