



US00D473966S

(12) **United States Design Patent**
Lecluze

(10) **Patent No.:** **US D473,966 S**

(45) **Date of Patent:** **** Apr. 29, 2003**

(54) **LIGHT FIXTURE**
(75) Inventor: **Michel Lecluze**, St-Jean-Chrysostome (CA)
(73) Assignee: **Éclairage Contraste**, St-Jean-Chrysostome (CA)

D381,111 S * 7/1997 Lecluze D26/118
D386,277 S * 11/1997 Lecluze D26/74
D387,466 S * 12/1997 Lecluze D26/118
D397,472 S * 8/1998 Lecluze D26/118
D397,490 S * 8/1998 Lecluze D26/118
5,957,572 A * 9/1999 Wedekind et al. 362/365

* cited by examiner

(**) Term: **14 Years**

Primary Examiner—Alan P. Douglas

Assistant Examiner—Clare E. Heflin

(21) Appl. No.: **29/163,680**

(74) *Attorney, Agent, or Firm*—Jean H. Dubuc

(22) Filed: **Jul. 10, 2002**

(57) **CLAIM**

(30) **Foreign Application Priority Data**

The ornamental design for a light fixture, as shown and described.

Jan. 15, 2002 (CA) 2002-0119

DESCRIPTION

(51) **LOC (7) Cl.** **26-05**
(52) **U.S. Cl.** **D26/74**
(58) **Field of Search** D26/67, 72, 74,
D26/80-92, 118, 138, 142, 152; 362/147,
362, 364, 365, 375, 368, 374, 432, 404-408,
367

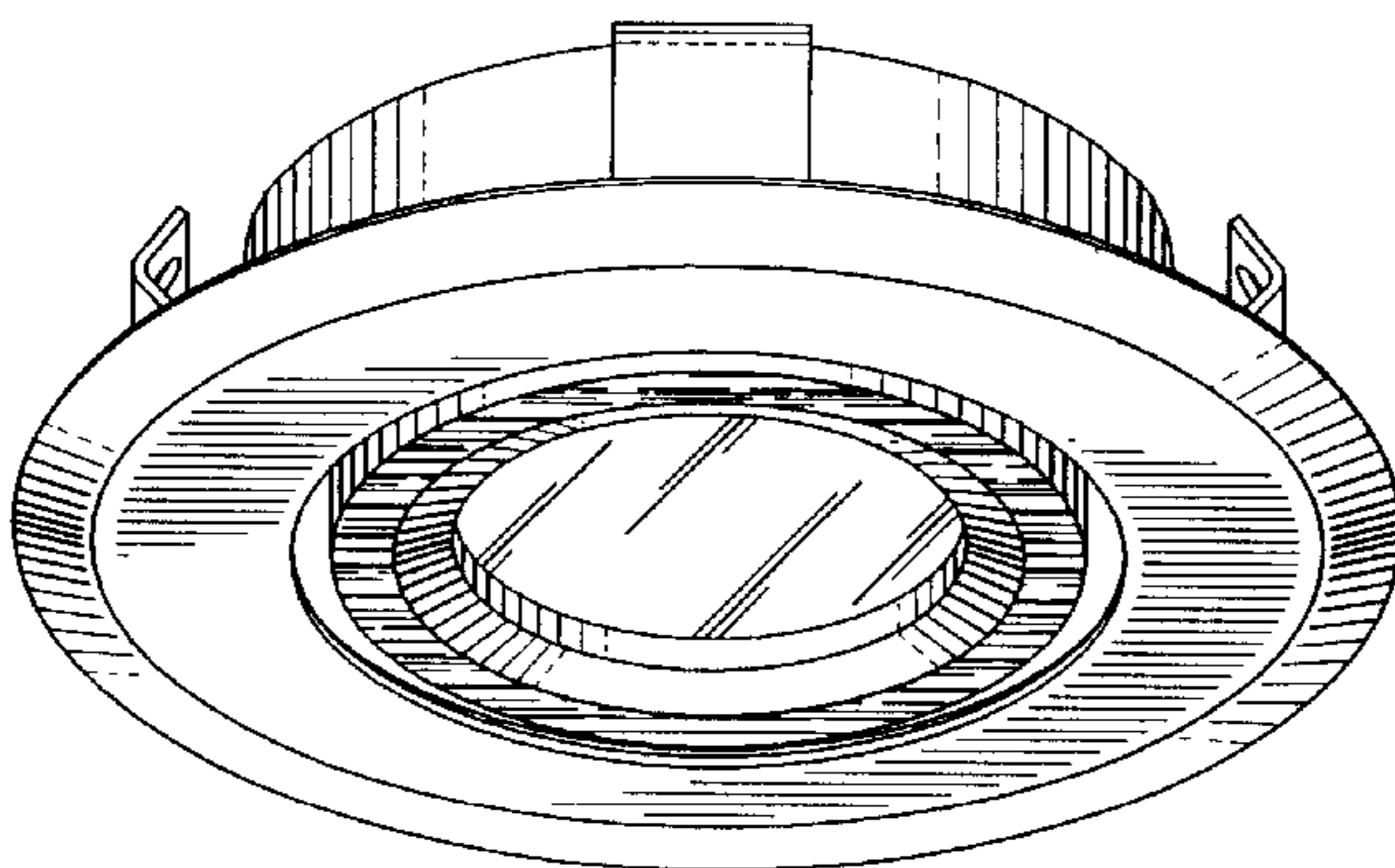
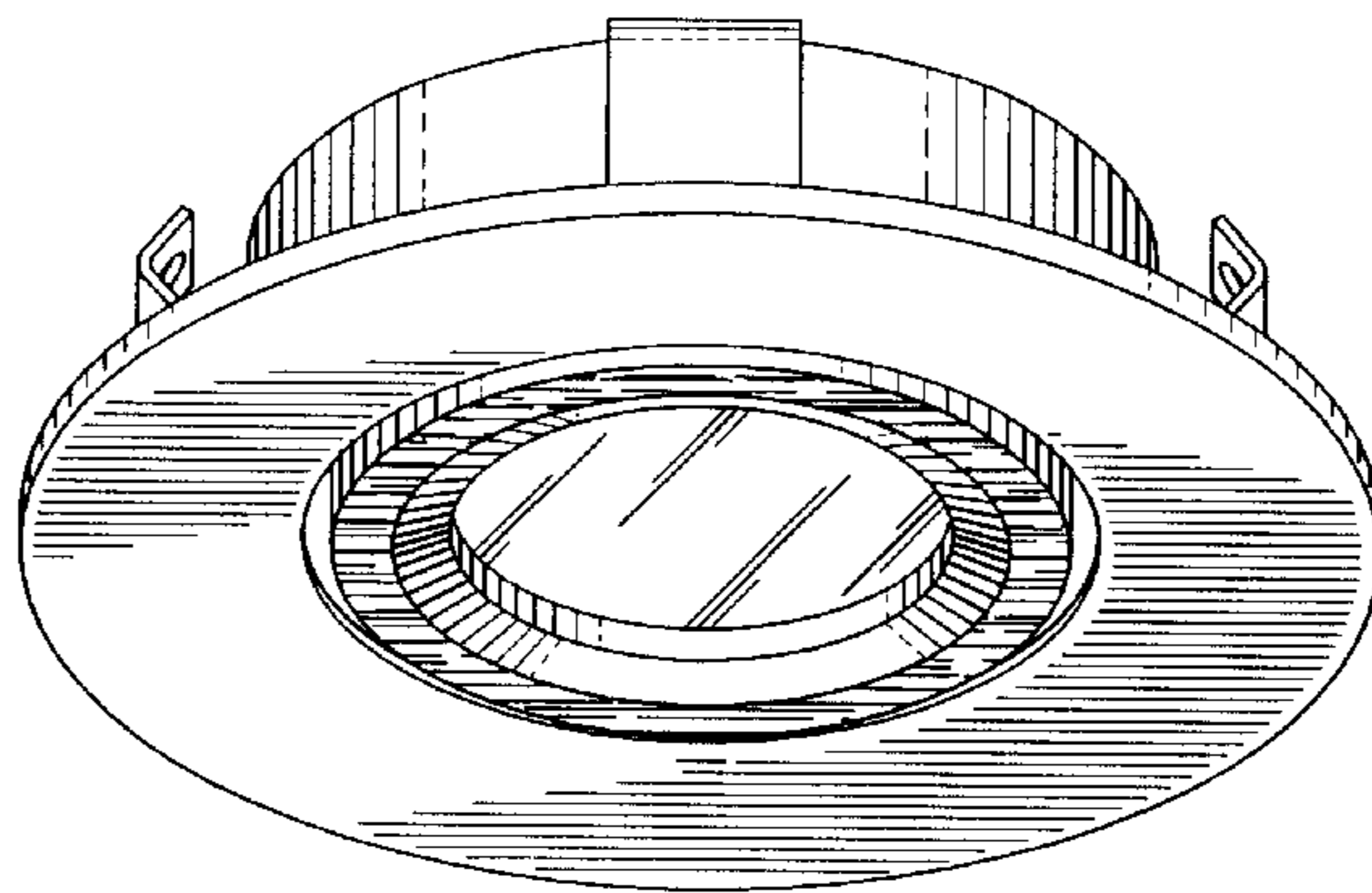
FIG. 1 is a perspective view of a first embodiment of a light fixture showing my new design;
FIG. 2 is a bottom view thereof;
FIG. 3 is a front view thereof;
FIG. 4 is a side view thereof;
FIG. 5 is a top view thereof;
FIG. 6 is a perspective view of a second embodiment thereof;
FIG. 7 is a bottom view thereof;
FIG. 8 is a front view thereof;
FIG. 9 is a side view thereof; and,
FIG. 10 is a top view thereof.

(56) **References Cited**

U.S. PATENT DOCUMENTS

3,130,949 A * 4/1964 Erhardt et al. 362/365
3,609,346 A * 9/1971 Lund et al. 362/364
4,290,098 A * 9/1981 Pierson 362/485
4,703,406 A * 10/1987 Elliott et al. 362/365
5,373,431 A * 12/1994 Hayman et al. 362/364
D380,852 S * 7/1997 Lecluze D26/118

1 Claim, 4 Drawing Sheets



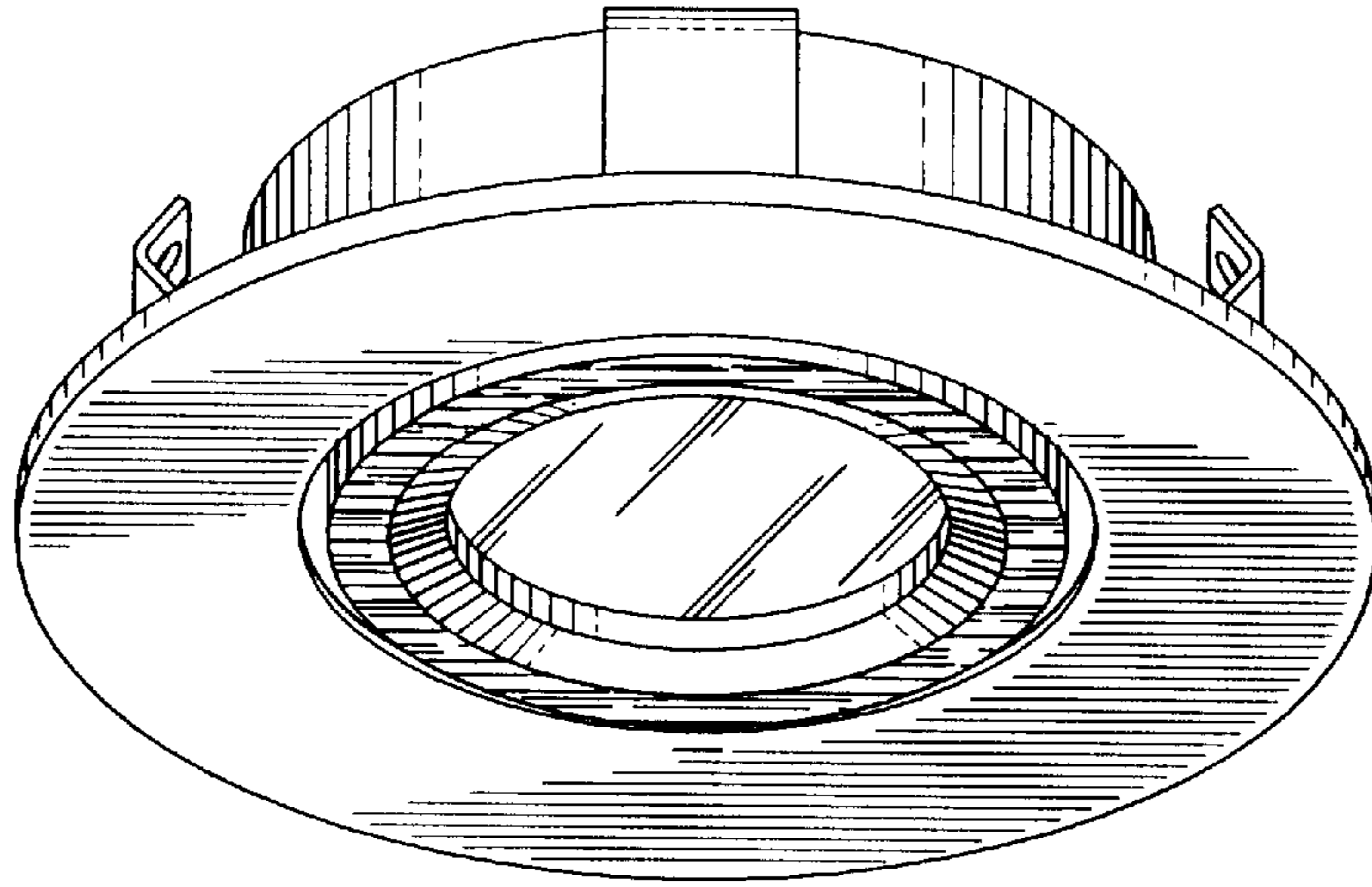


FIG. 1

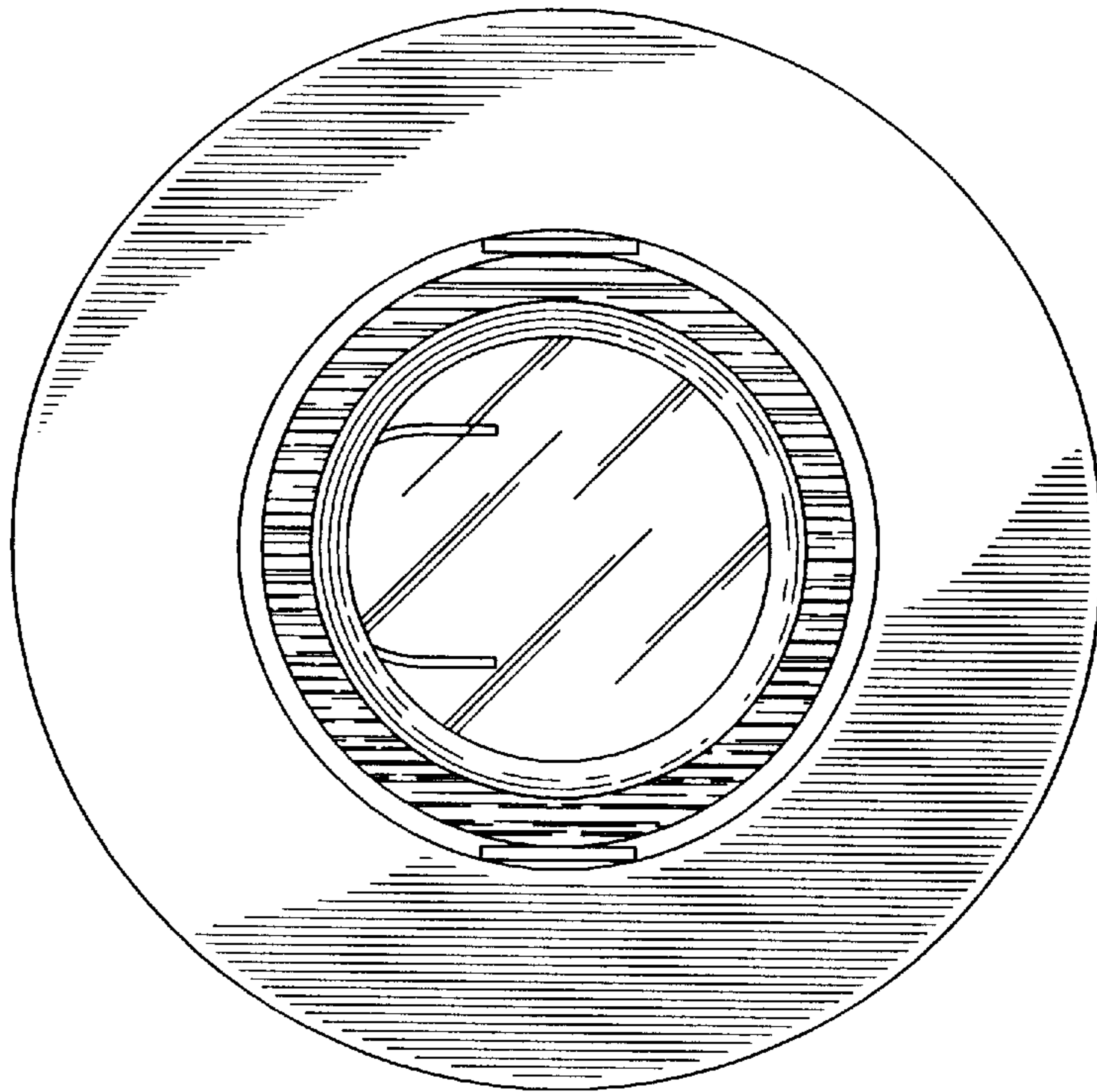


FIG. 2

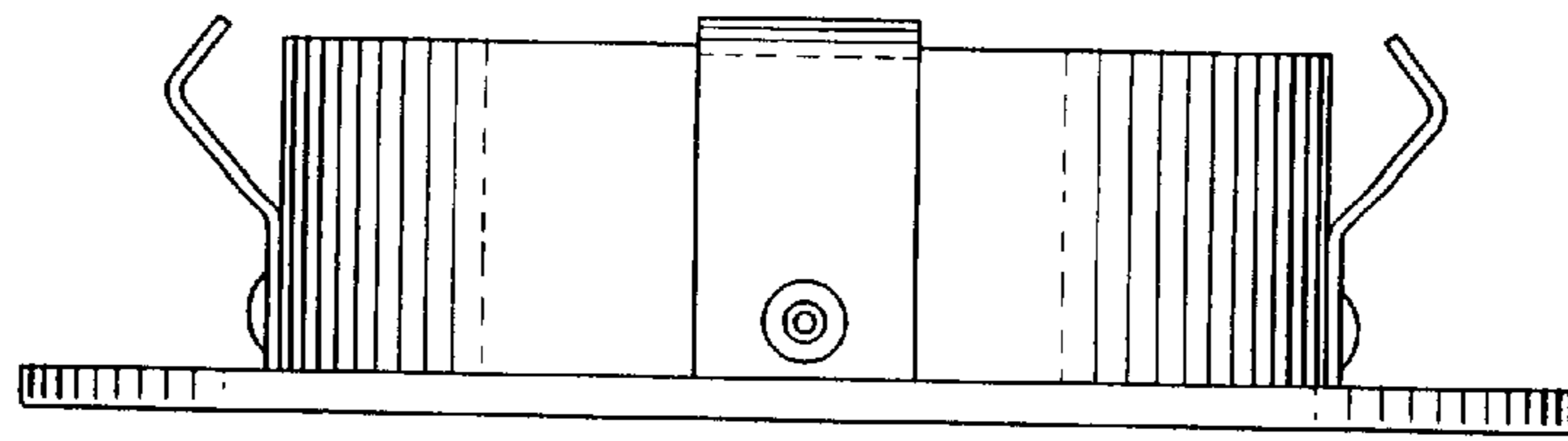


FIG. 3

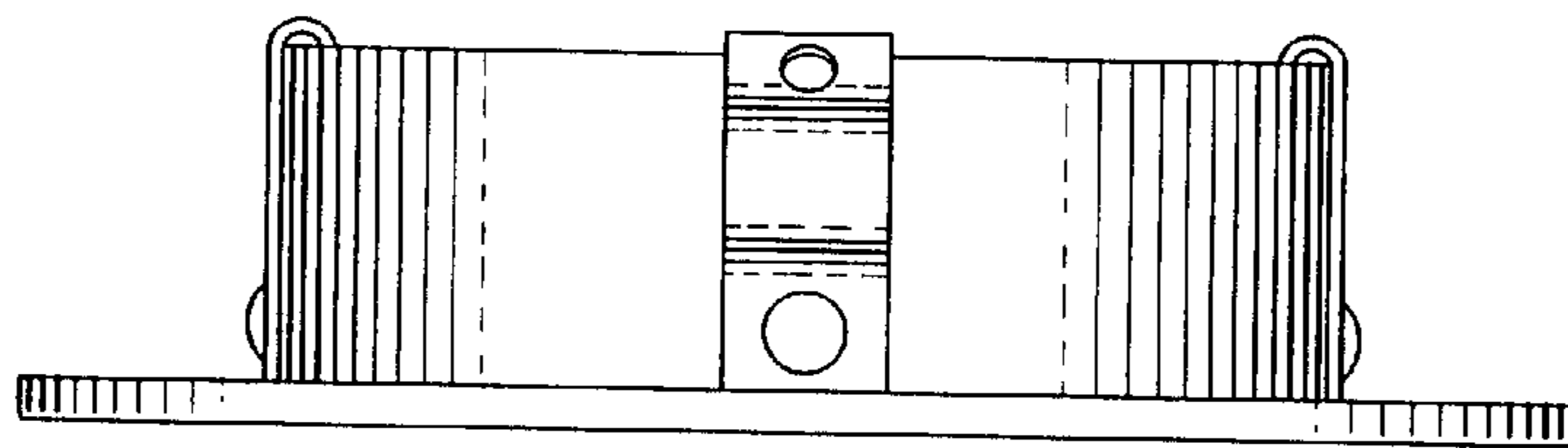


FIG. 4

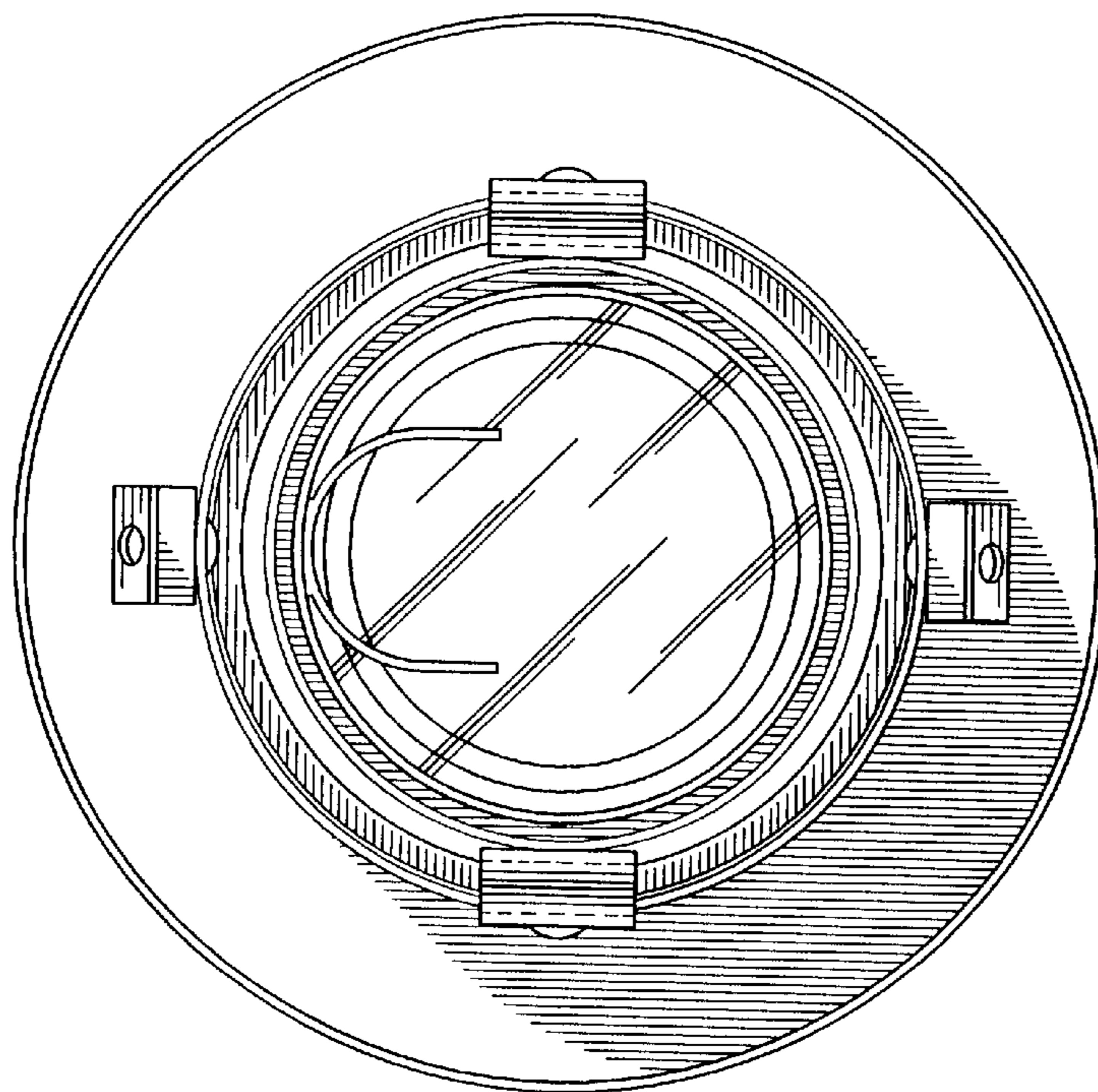


FIG. 5

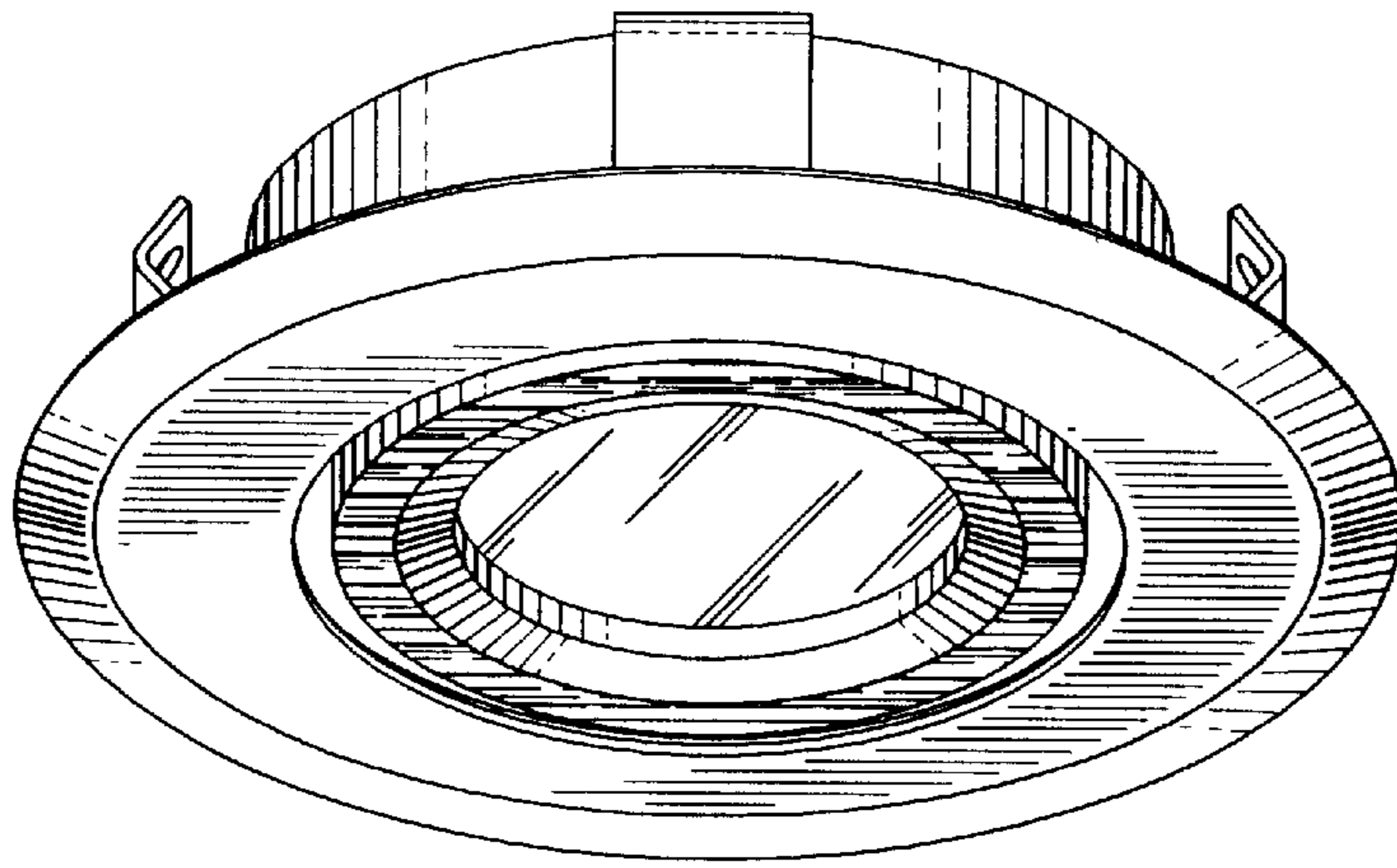


FIG. 6

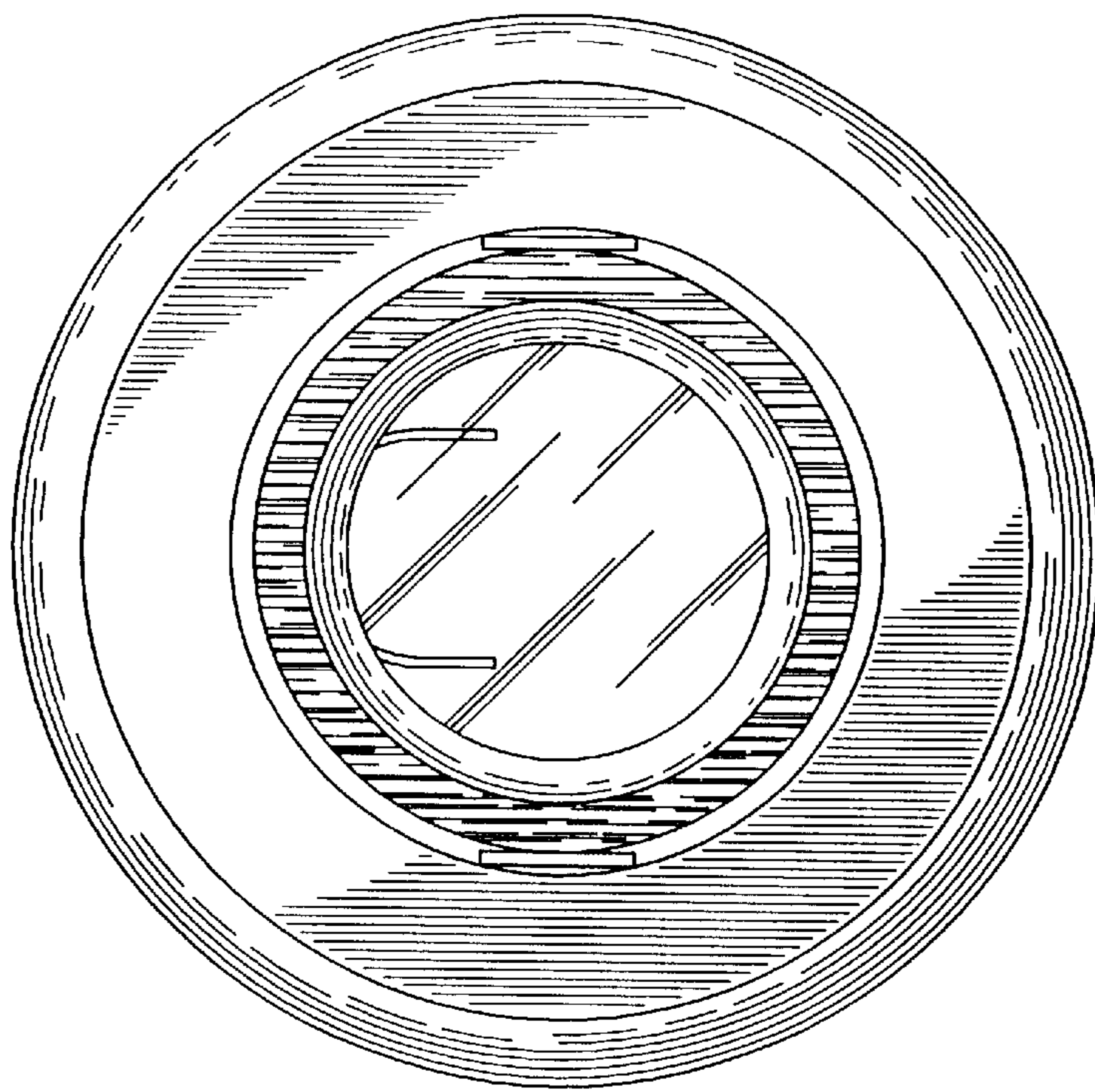


FIG. 7

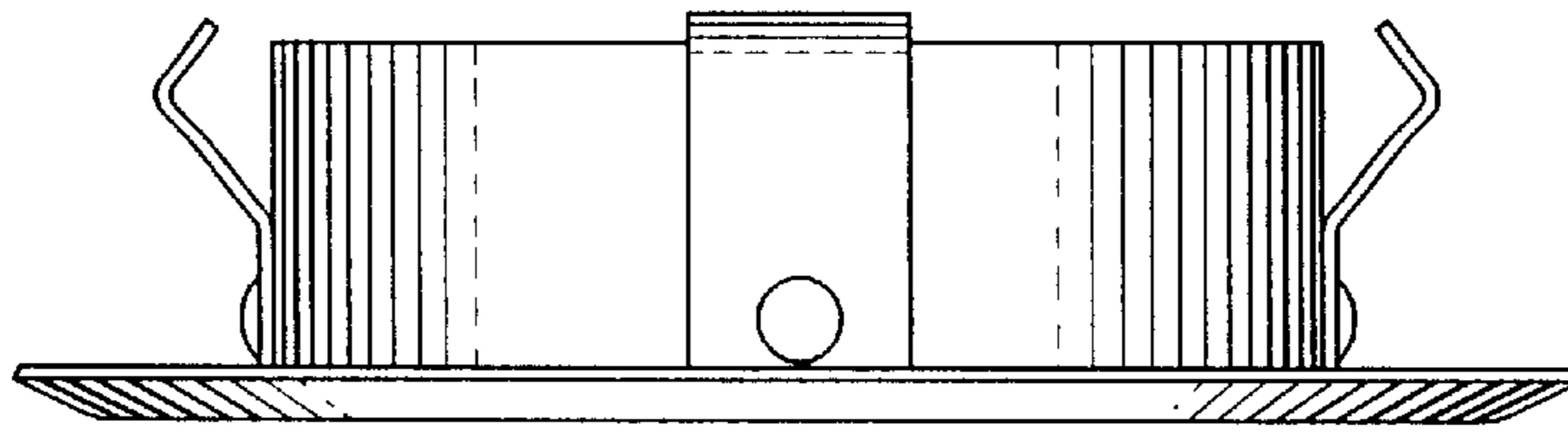


FIG. 8

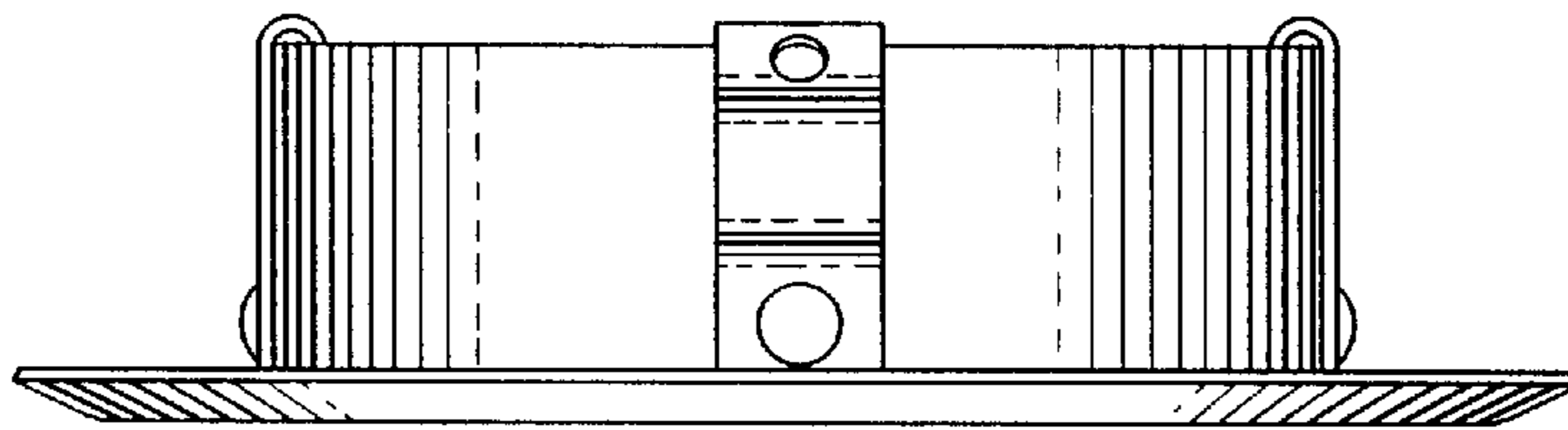


FIG. 9

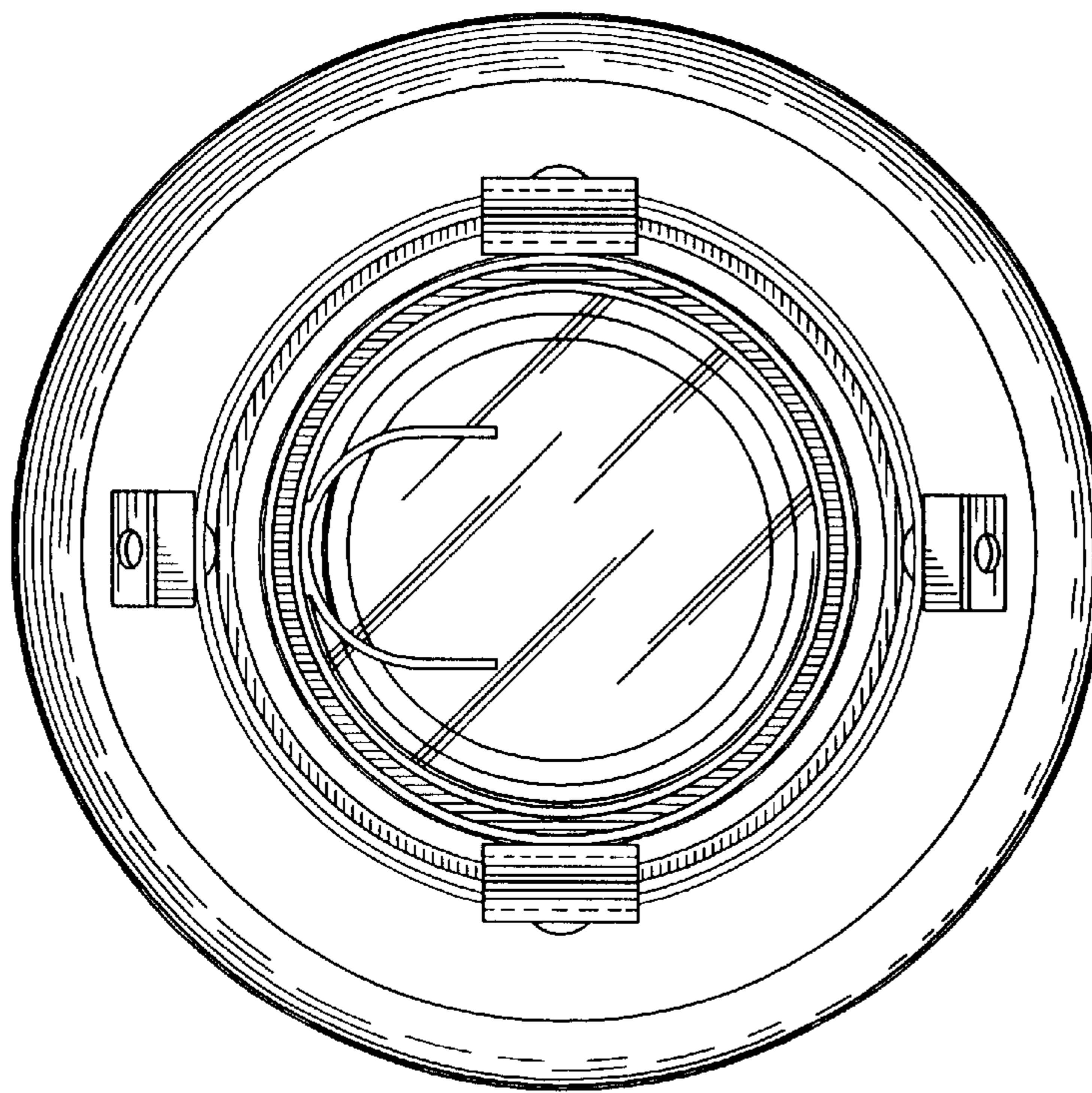


FIG. 10