



US00D473963S

(12) **United States Design Patent**
Chun

(10) **Patent No.:** **US D473,963 S**

(45) **Date of Patent:** **** Apr. 29, 2003**

(54) **FLASHLIGHT CLIP**

5,448,459 A 9/1995 Rogers 362/191
D398,410 S * 9/1998 Fell et al. D26/38

(76) **Inventor:** **James K. Chun**, 7178 NE. William
Rogers Rd., Indianola, WA (US) 98342

* cited by examiner

(**) **Term:** **14 Years**

Primary Examiner—Marcus A. Jackson
(74) *Attorney, Agent, or Firm*—Dean A. Craine

(21) **Appl. No.:** **29/159,734**

(57) **CLAIM**

(22) **Filed:** **Apr. 26, 2002**

The ornamental design for a flashlight clip, as shown and described.

(51) **LOC (7) Cl.** **26-05**

(52) **U.S. Cl.** **D26/51; D26/38**

(58) **Field of Search** D26/37-51; 362/109-114,
362/202, 205, 157, 158, 183-208

DESCRIPTION

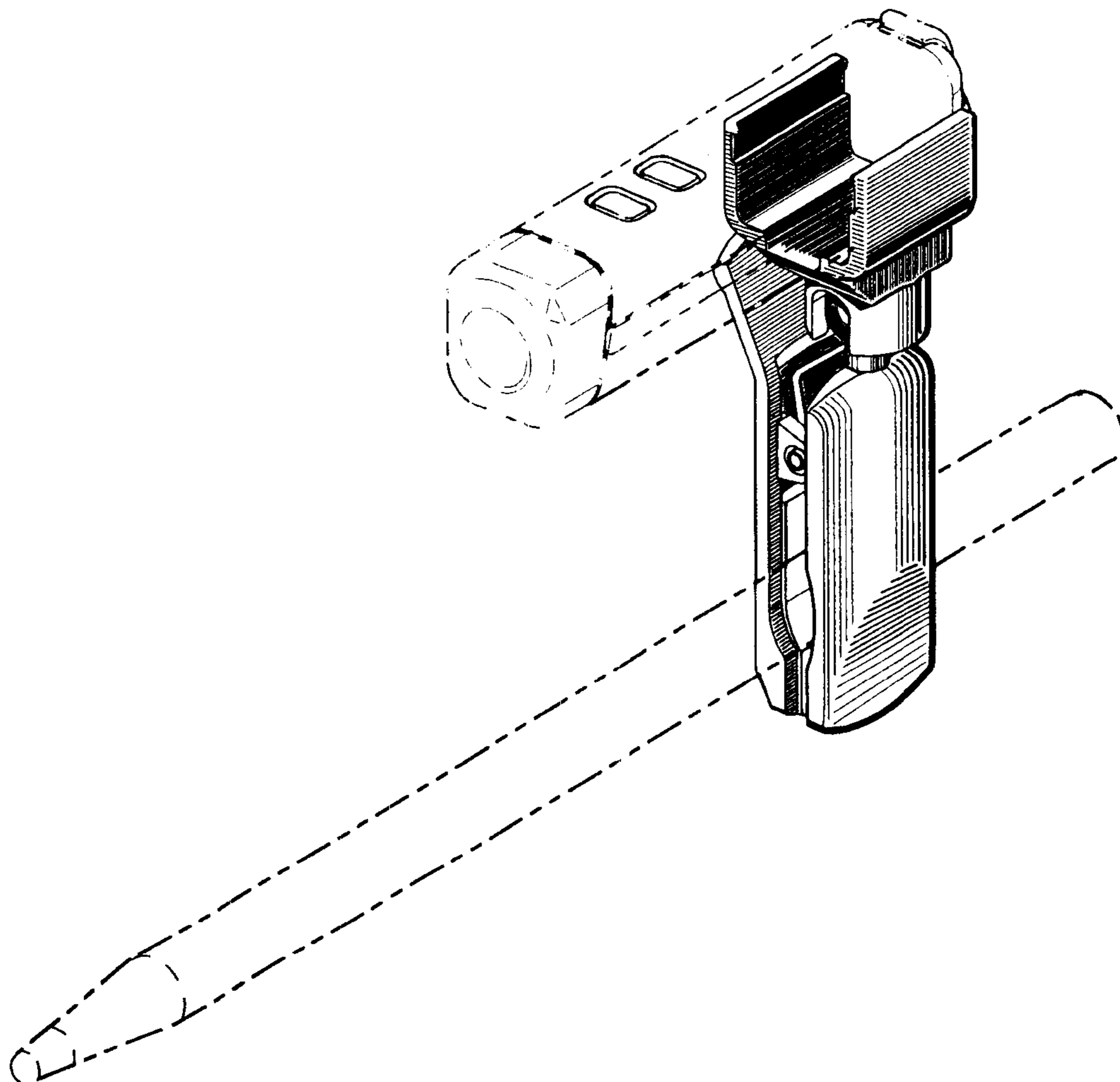
(56) **References Cited**

U.S. PATENT DOCUMENTS

1,345,962 A	7/1920	Sanders	
4,417,299 A	11/1983	Rupp	362/186
4,799,132 A	1/1989	Perlsweig	362/109
4,967,323 A	10/1990	Johnson et al.	362/103
5,103,384 A	4/1992	Drohan	362/191
D342,280 S	* 12/1993	Revis	D26/38

FIG. 1 is a perspective view of the flashlight clip, with the broken line showing for an illustrative purposes and forming no part of the claimed design;
FIG. 2 is a top plan view of the invention.
FIG. 3 is a bottom plan view of the invention.
FIG. 4 is a left side elevational view of the invention.
FIG. 5 is a right side elevational view of the invention.
FIG. 6 is a front elevational view of the invention; and,
FIG. 7 is a rear elevational view of the invention.

1 Claim, 4 Drawing Sheets



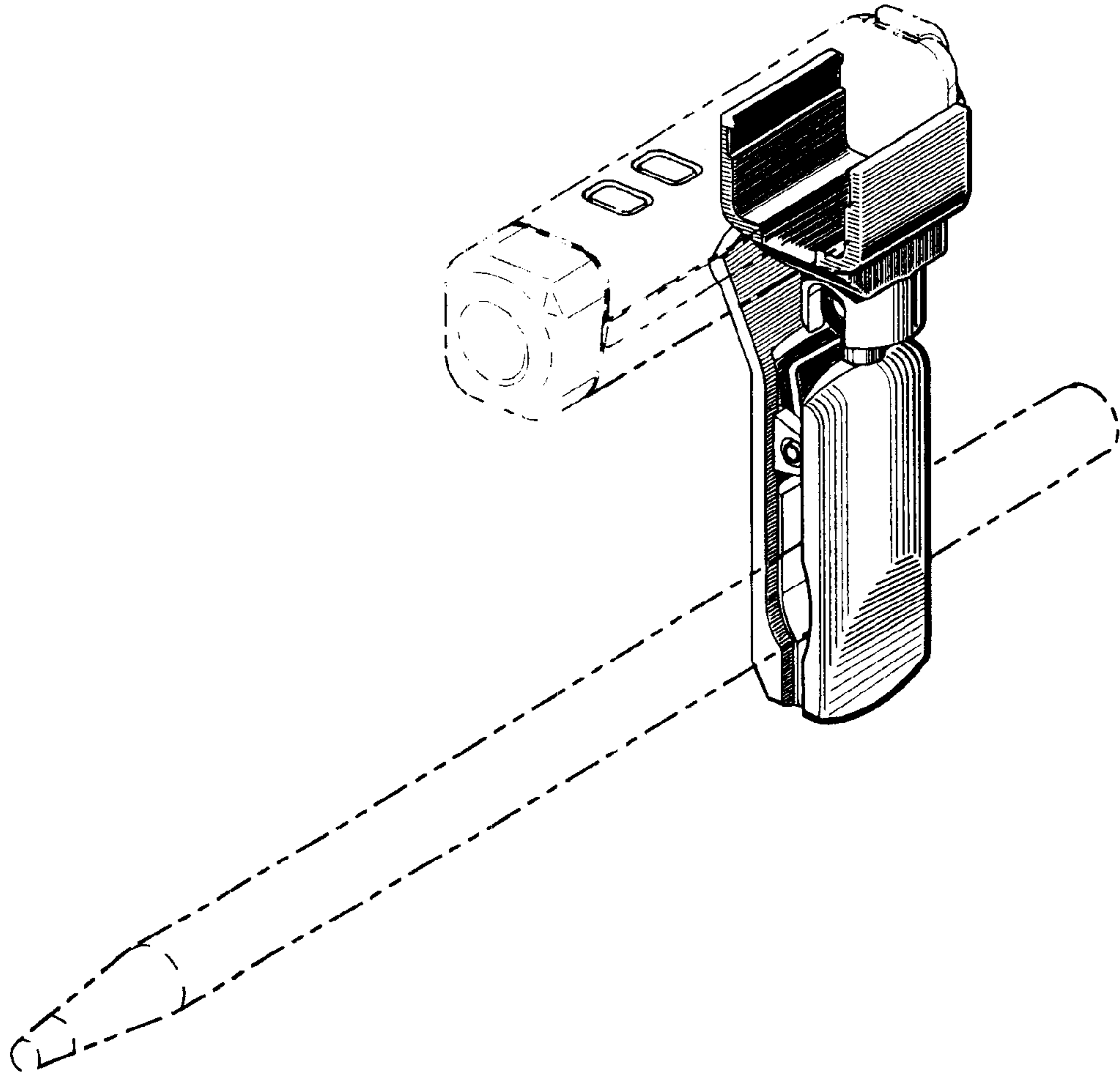


FIG 1.

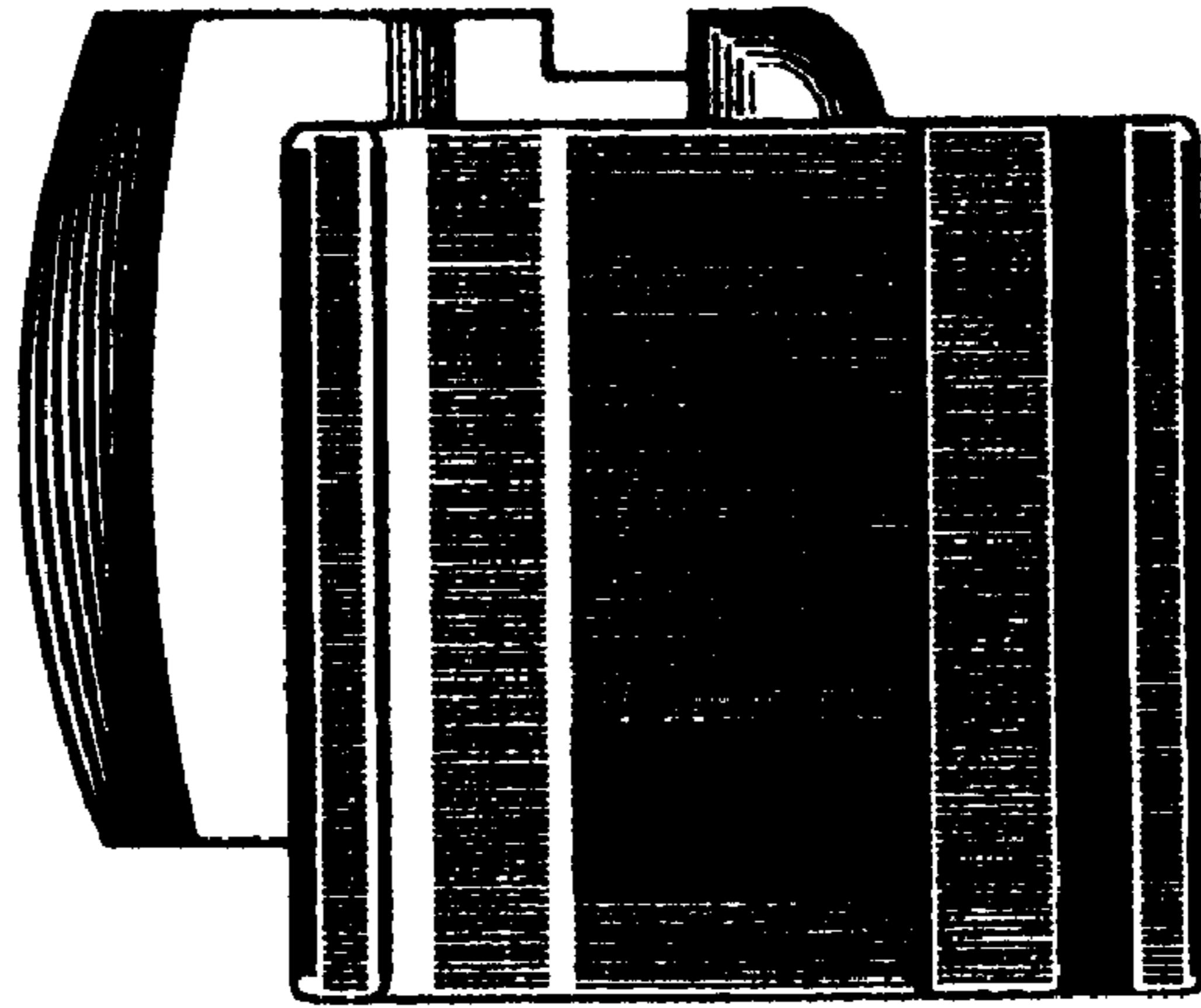


FIG. 2

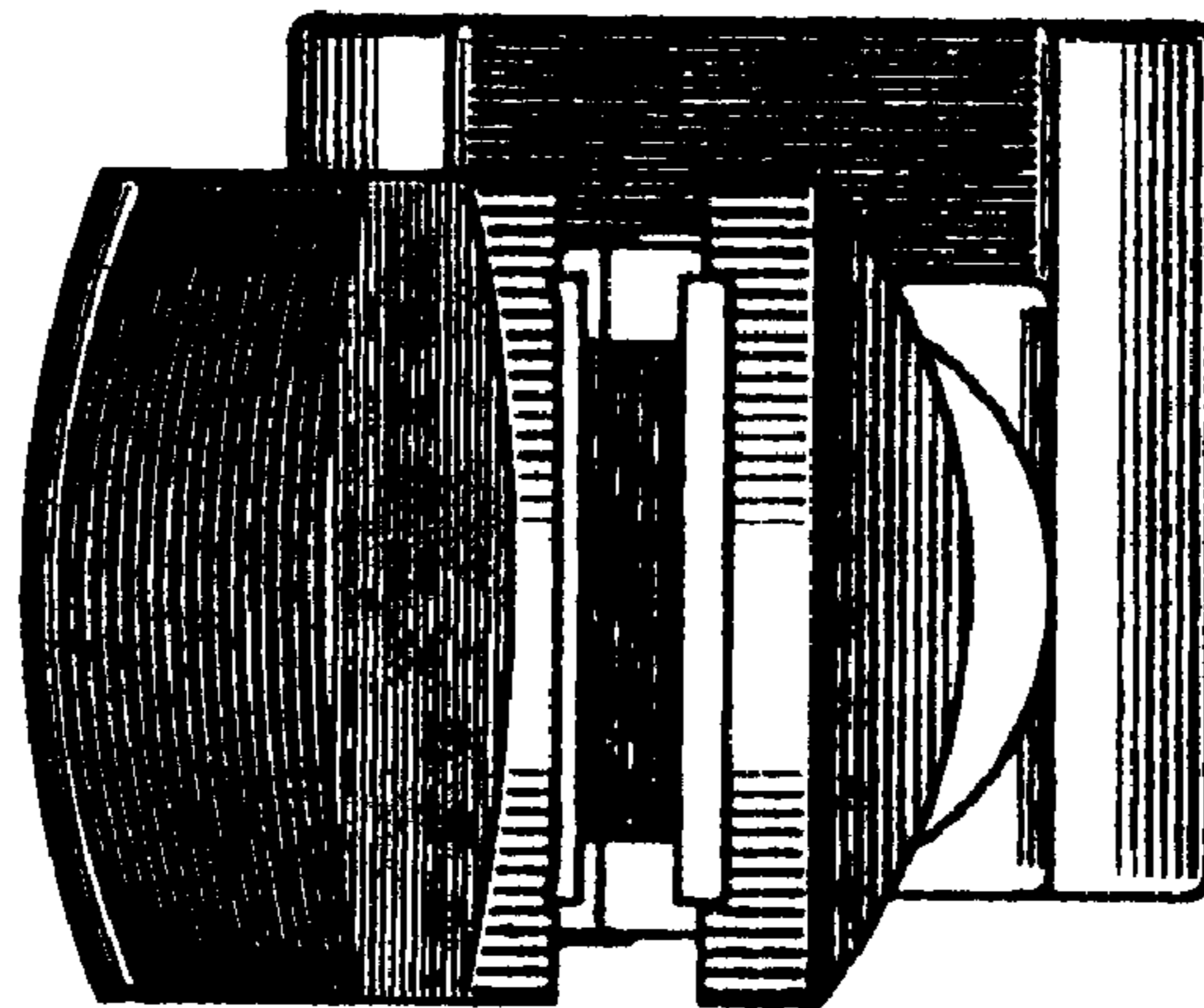


FIG. 3

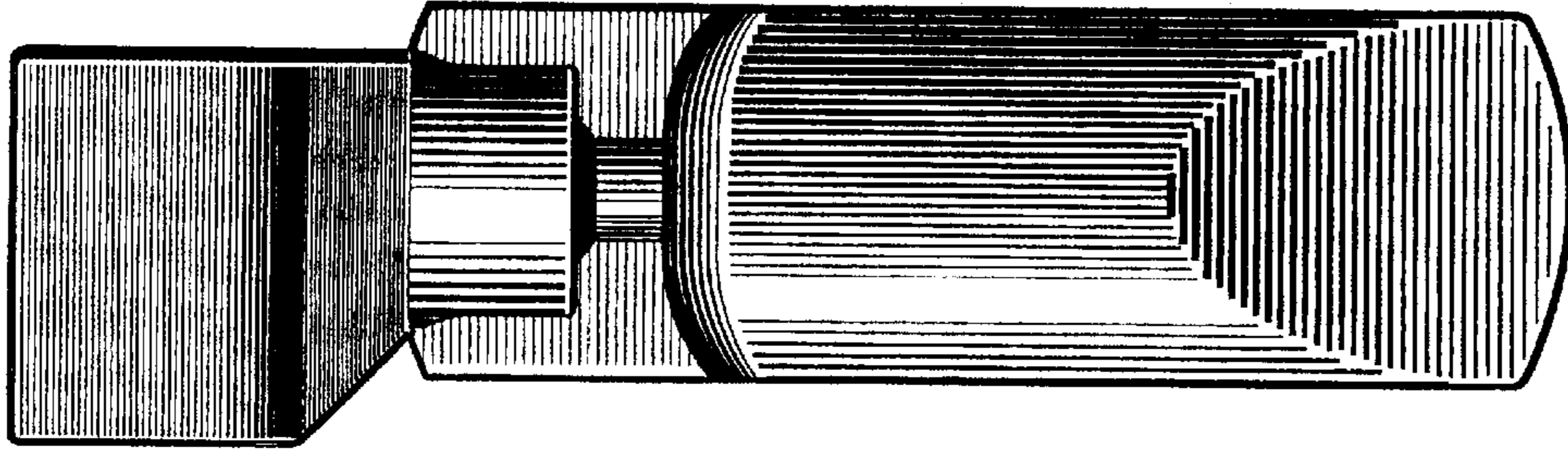


FIG. 5

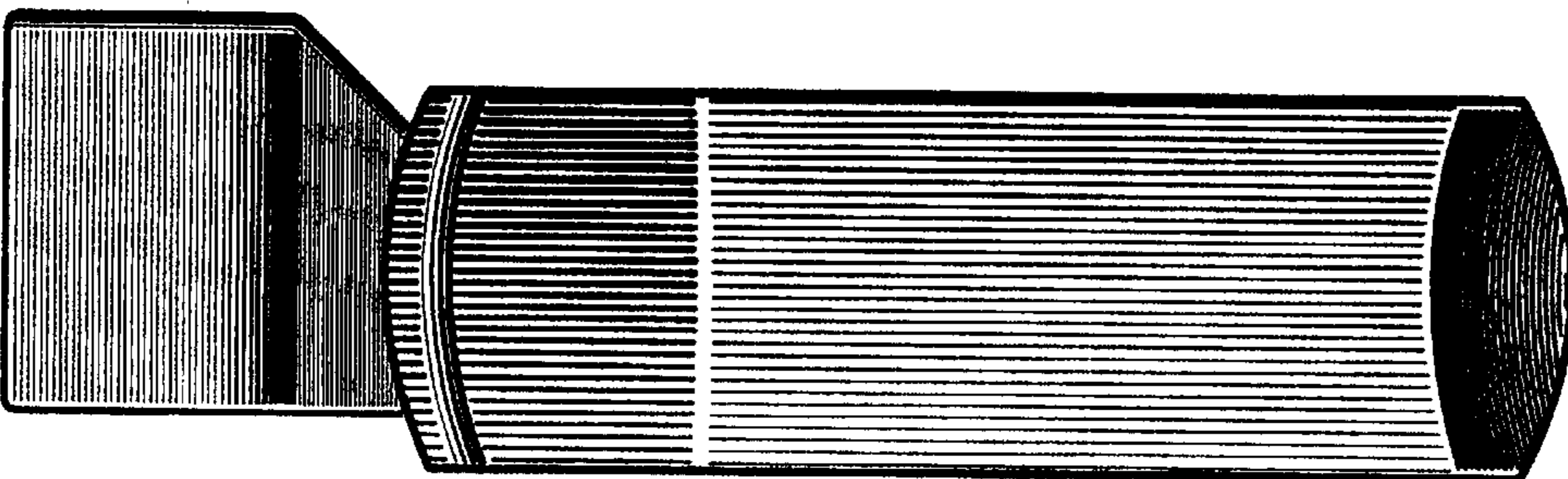


FIG. 4

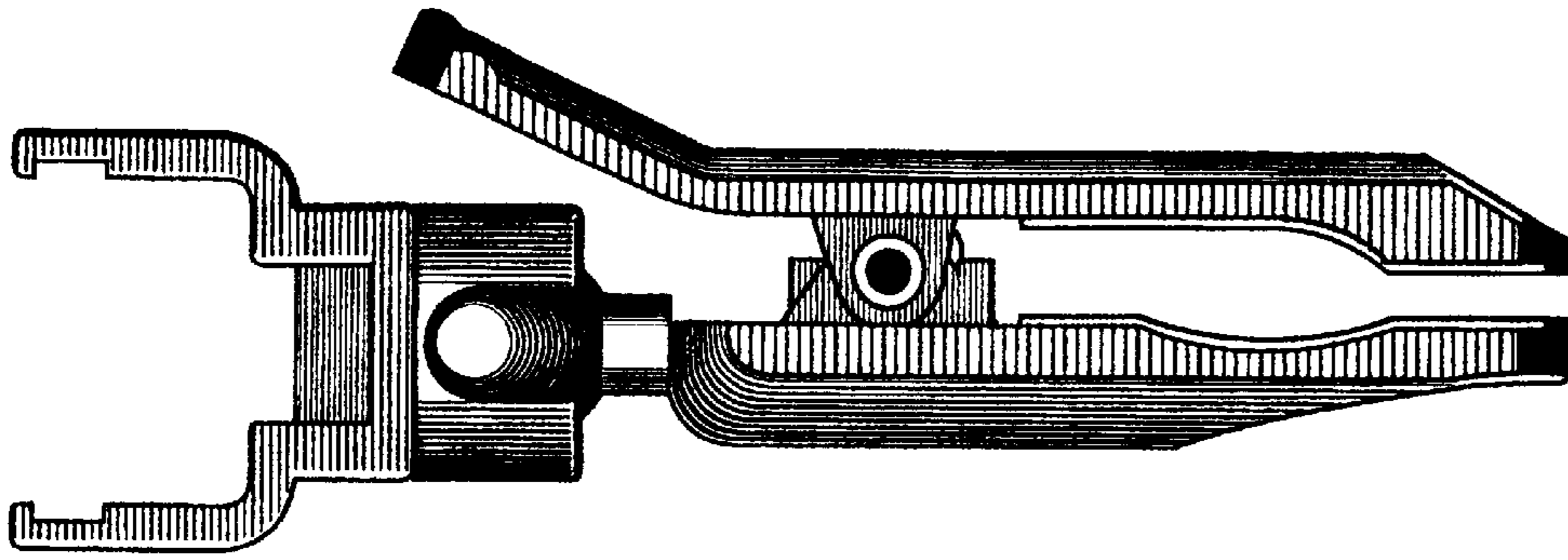


FIG. 7

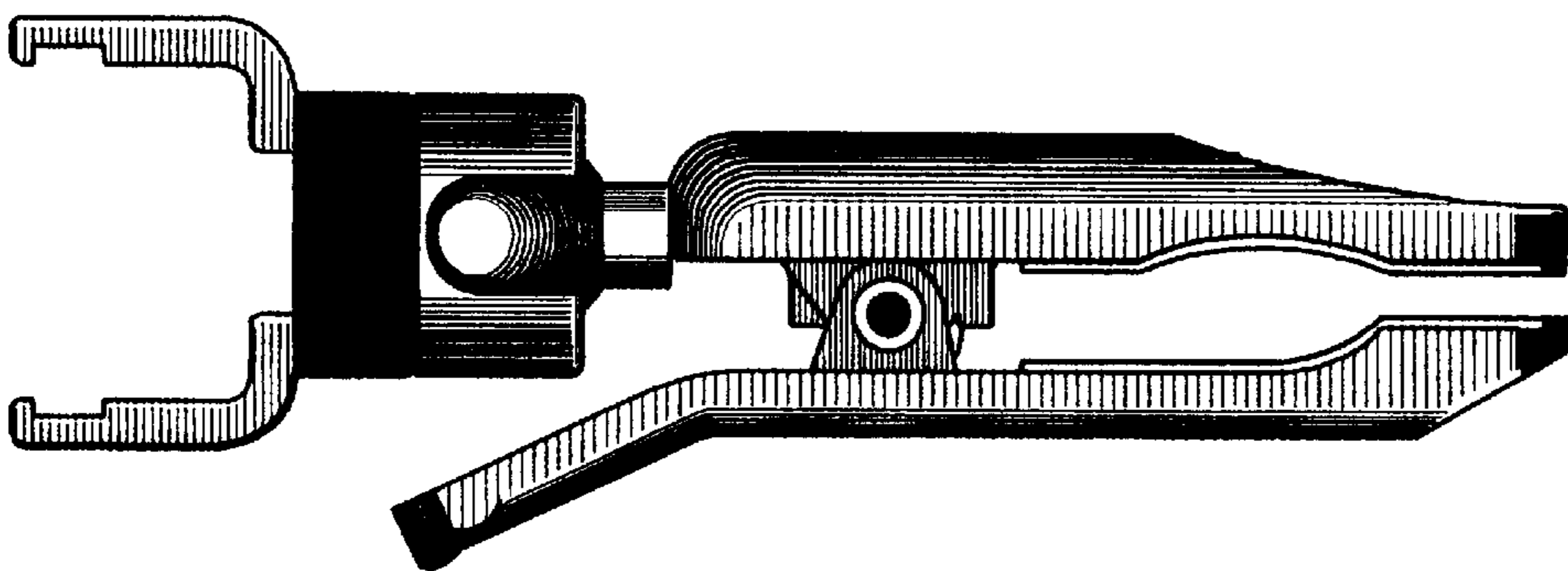


FIG. 6