



US00D473960S

(12) **United States Design Patent**
Yuen

(10) **Patent No.:** **US D473,960 S**

(45) **Date of Patent:** **** Apr. 29, 2003**

(54) **RADIO CLOCK LANTERN**

(75) Inventor: **Se Kit Yuen, Kwun Tong (HK)**

(73) Assignee: **John Manufacturing Ltd., Kowloon (HK)**

(**) Term: **14 Years**

(21) Appl. No.: **29/161,928**

(22) Filed: **Jun. 5, 2002**

(51) **LOC (7) Cl.** **26-02**

(52) **U.S. Cl.** **D26/38**

(58) **Field of Search** D26/37-50; D14/168,
D14/188, 189; 362/157, 158, 171, 172,
173, 183-208

(56) **References Cited**

U.S. PATENT DOCUMENTS

D428,172 S	7/2000	Yuen	
D438,315 S	* 2/2001	Yuen D26/38
D438,528 S	* 3/2001	Chan D26/38
D438,995 S	3/2001	Yuen	

D440,334 S	4/2001	Yuen	
D440,678 S	4/2001	Yuen	
D441,110 S	* 4/2001	Lam D26/38
D445,519 S	* 7/2001	Burns D26/38

* cited by examiner

Primary Examiner—Marcus A. Jackson
(74) *Attorney, Agent, or Firm*—Merchant & Gould P.C.

(57) **CLAIM**

The ornamental design for radio clock lantern, as shown and described.

DESCRIPTION

FIG. 1 is a front elevational view of one embodiment of a radio clock lantern in accordance with my invention; FIG. 2 is a rear elevational view thereof; FIG. 3 is a top elevational view thereof; FIG. 4 is a bottom elevational view thereof; FIG. 5 is a left side elevational view thereof; and, FIG. 6 is a right side elevational view of a radio clock lantern.

1 Claim, 3 Drawing Sheets

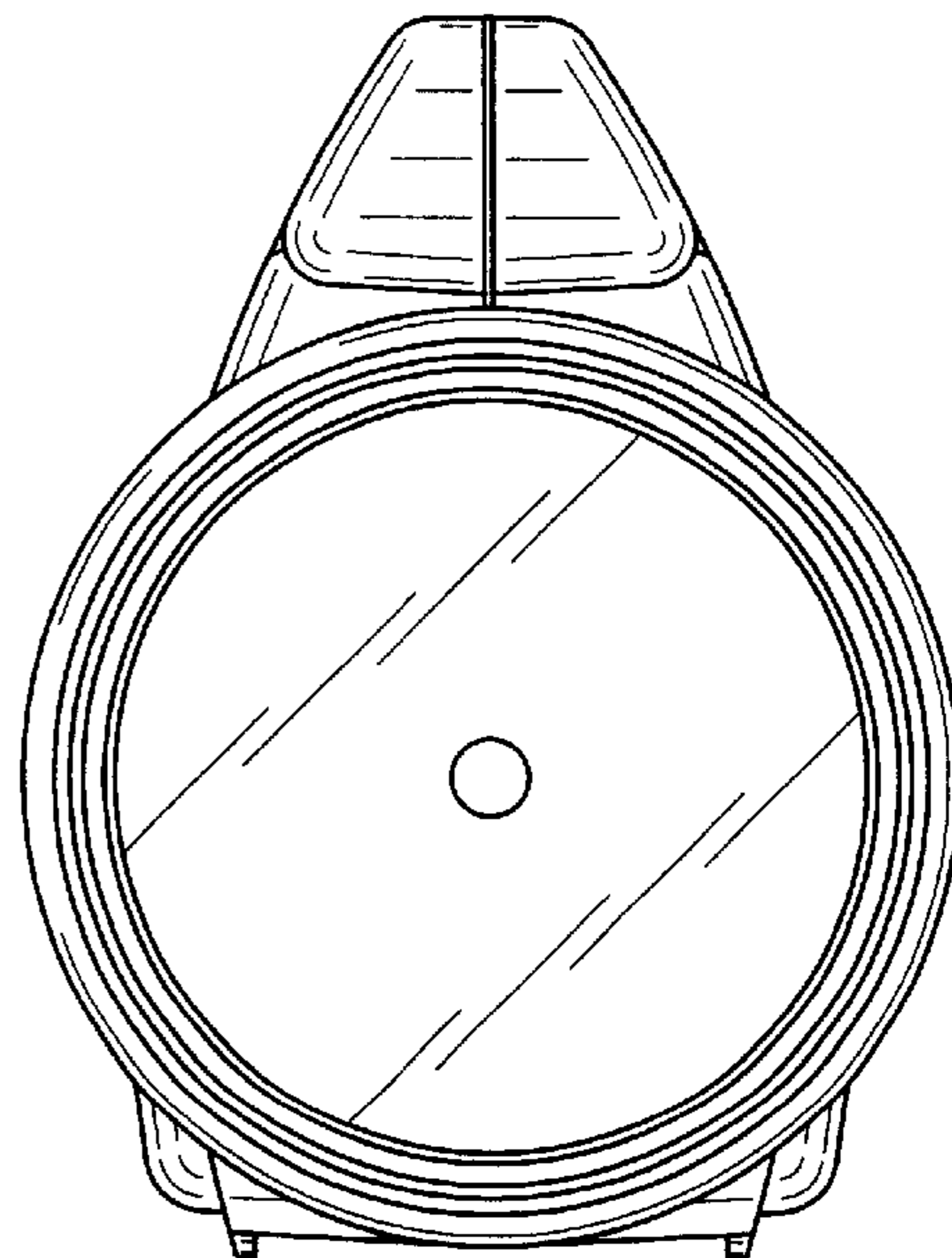
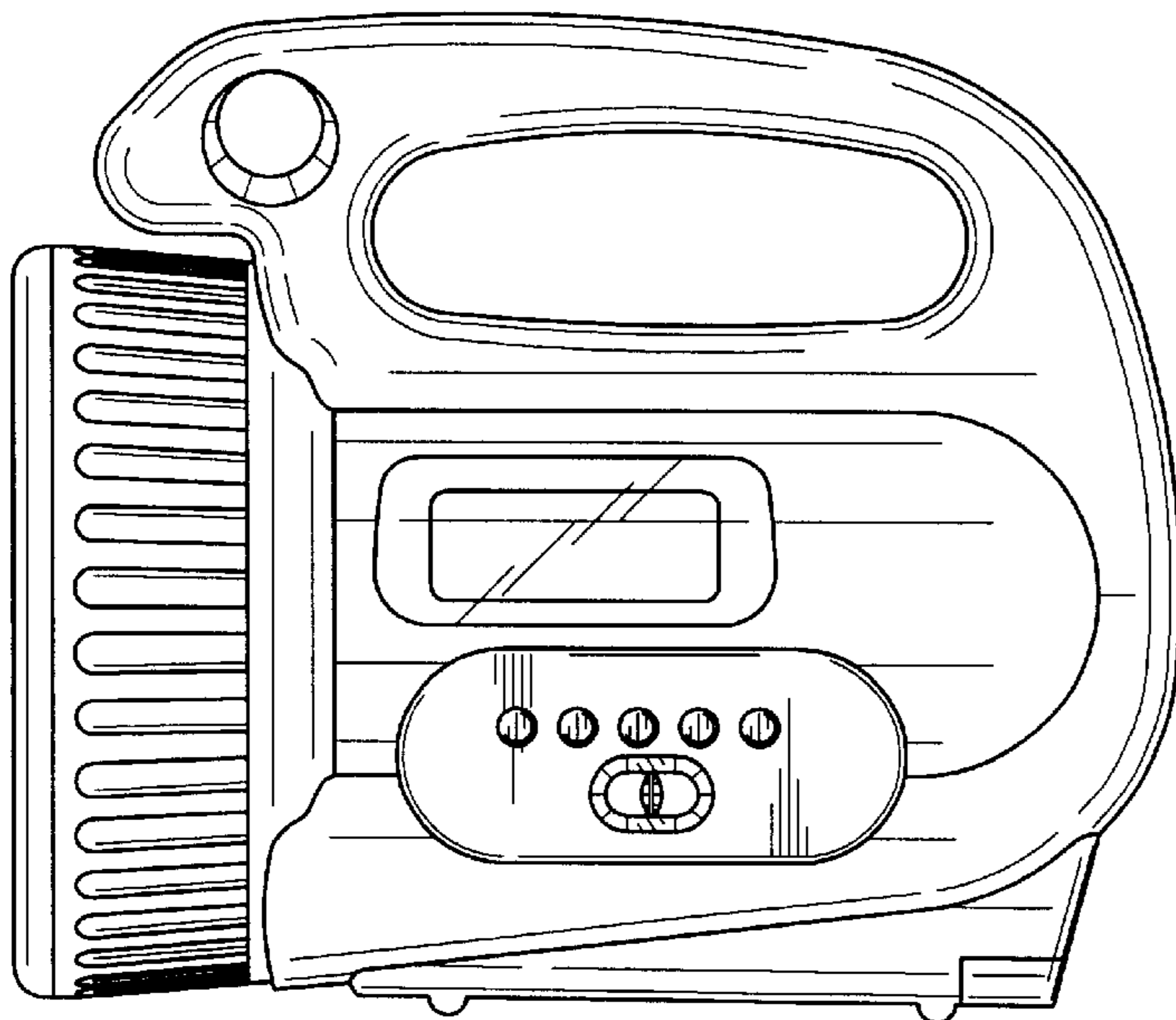


FIG. 1

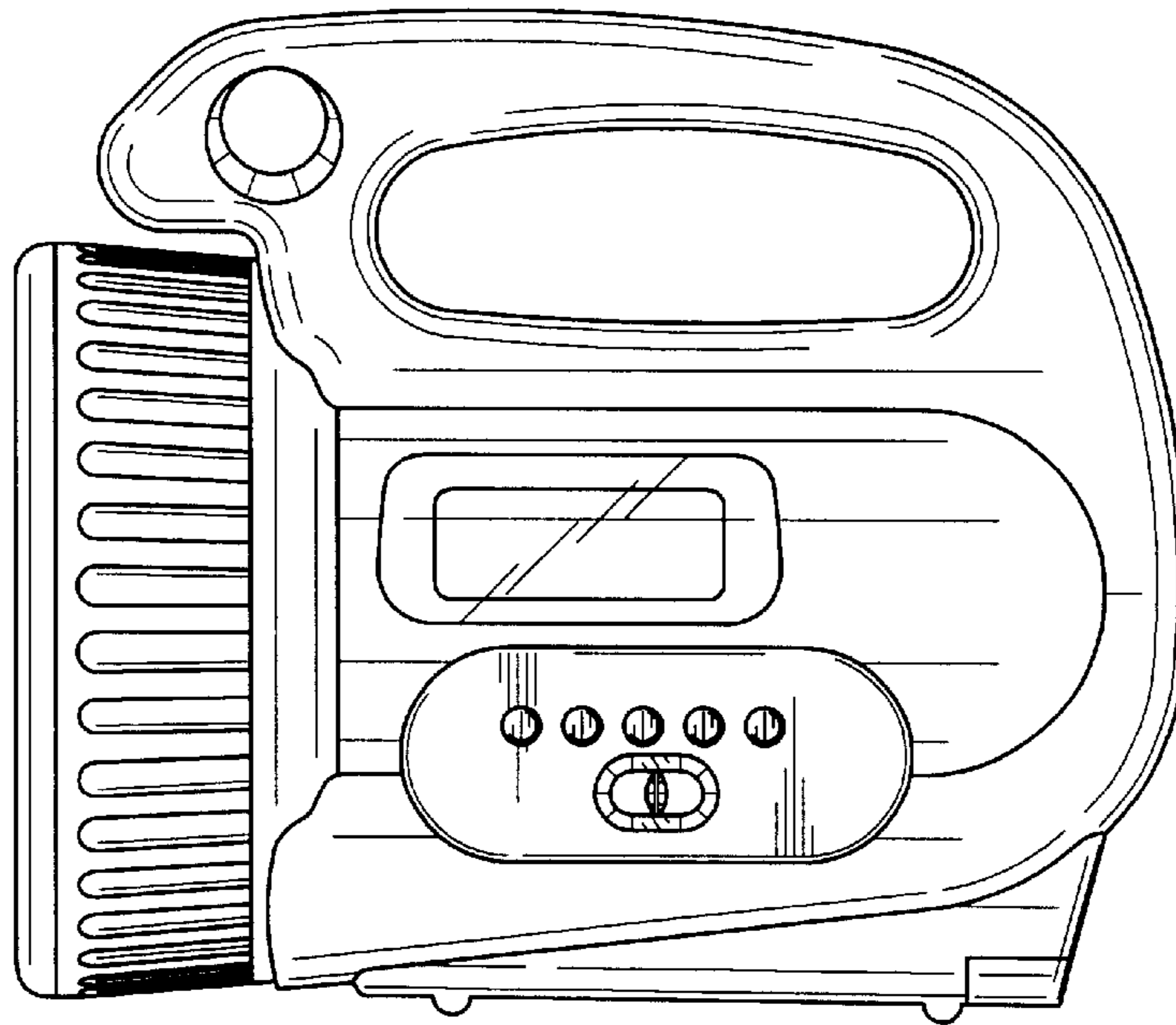


FIG. 2

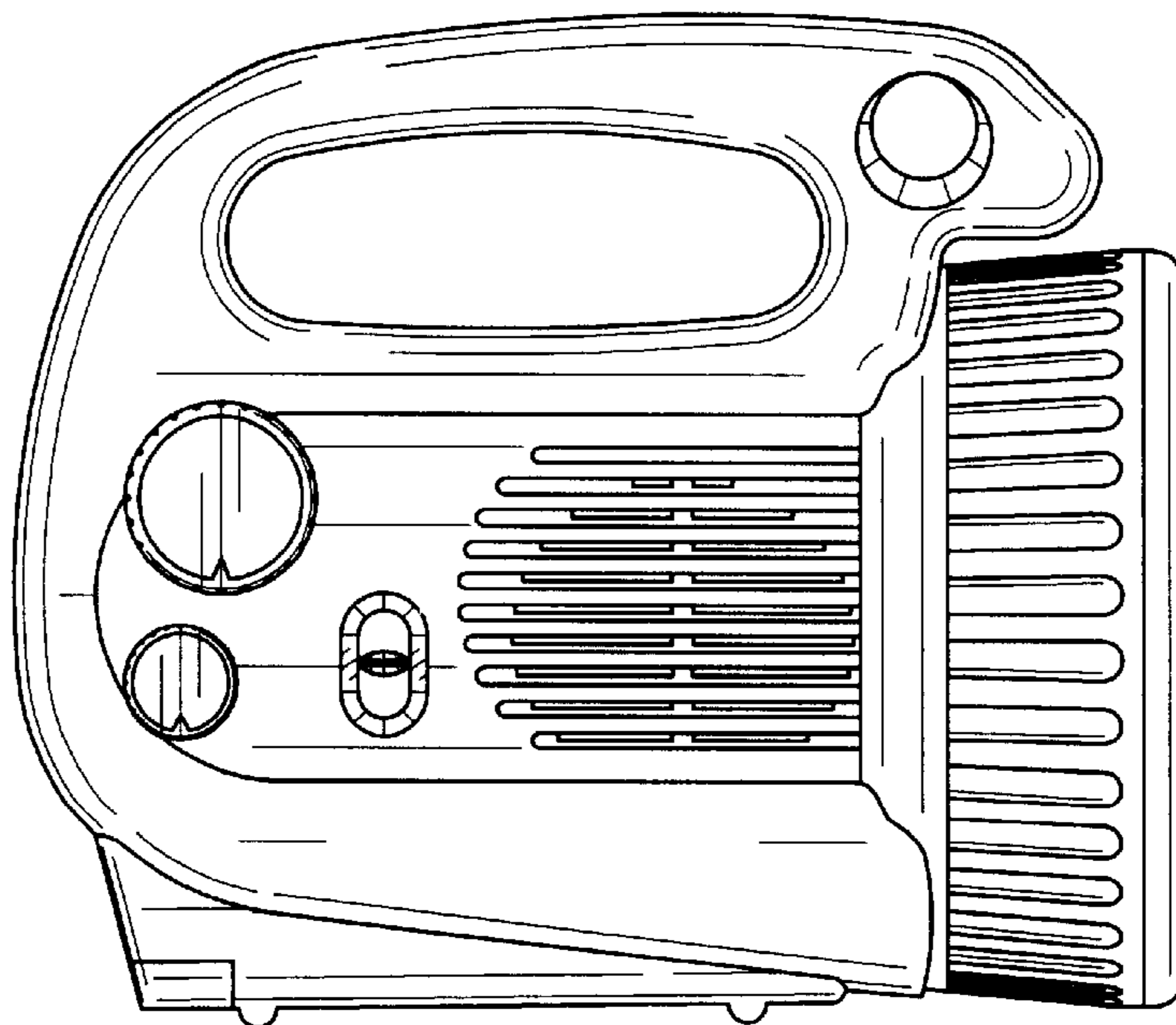


FIG.3

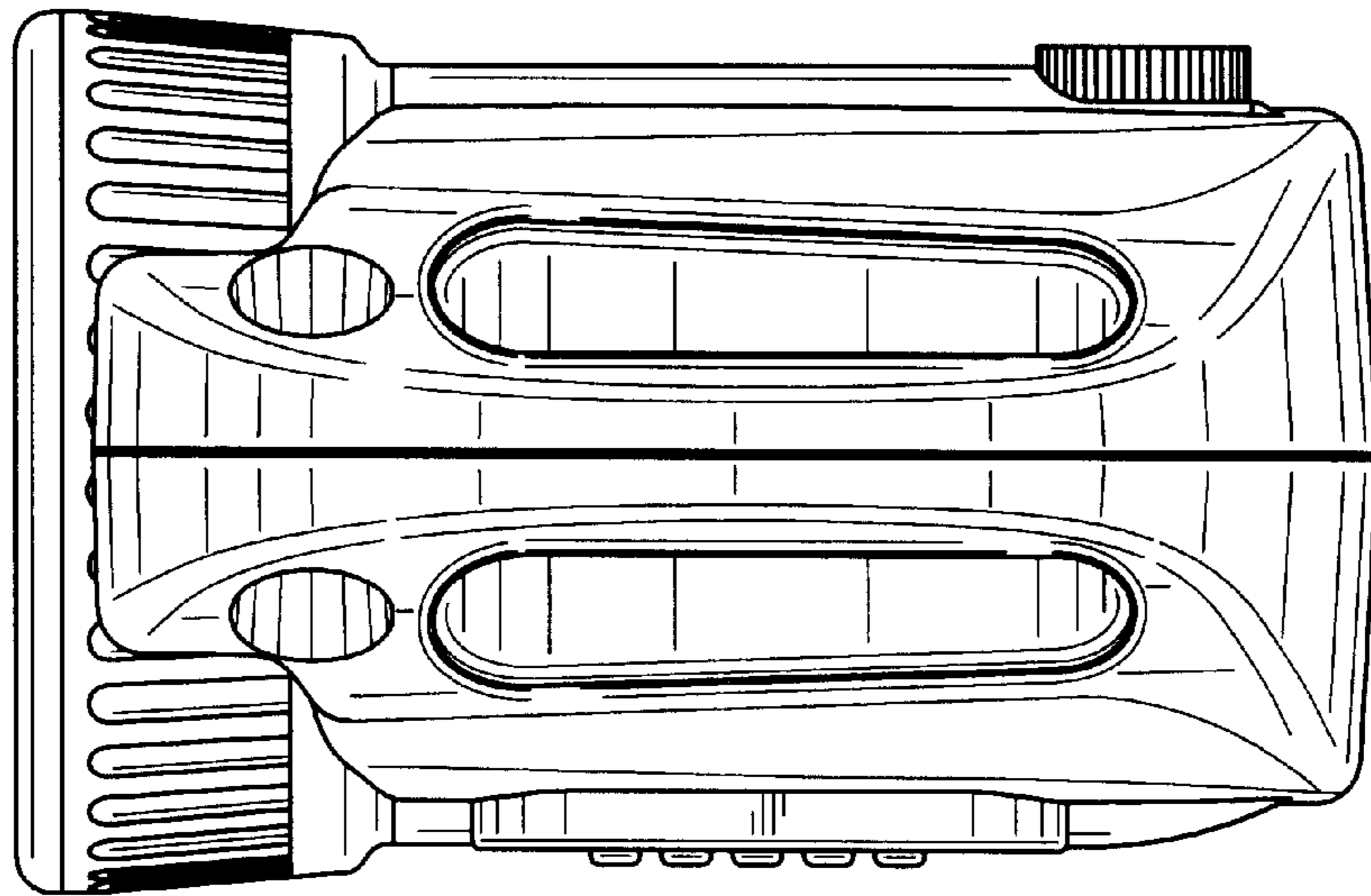


FIG.4

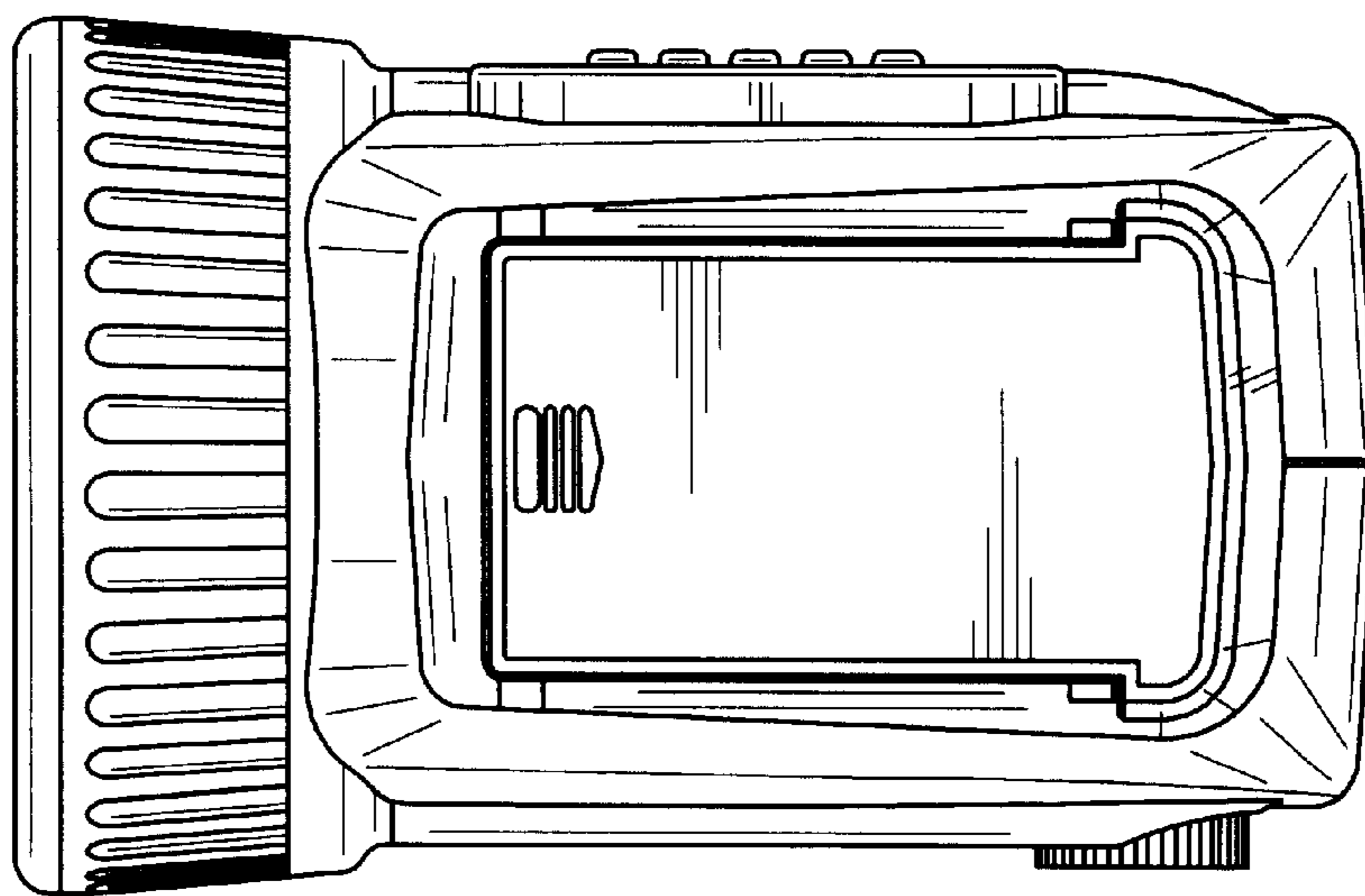


FIG.5

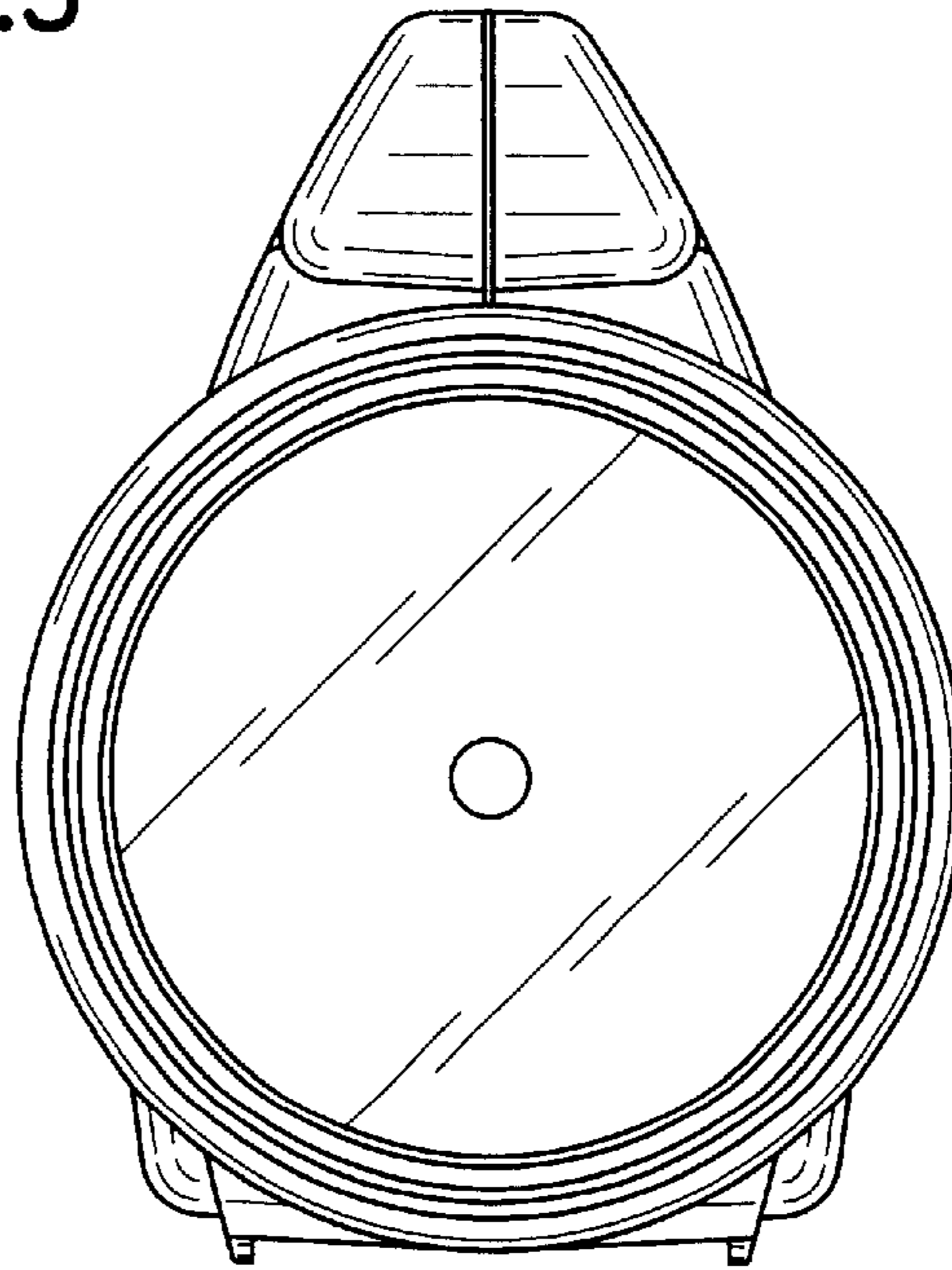


FIG.6

