



US00D473957S

(12) **United States Design Patent**
Ito et al.

(10) **Patent No.:** **US D473,957 S**

(45) **Date of Patent:** **** *Apr. 29, 2003**

(54) **JOINT FOR CONNECTING A PILLAR AND A BEAM**

(75) Inventors: **Akiyoshi Ito**, Tokyo (JP); **Kazufumi Horiuchi**, Tokyo (JP)

(73) Assignee: **Artes Corporation**, Tokyo (JP)

(*) Notice: This patent is subject to a terminal disclaimer.

(**) Term: **14 Years**

(21) Appl. No.: **29/069,270**

(22) Filed: **Mar. 21, 1997**

(51) **LOC (7) Cl.** **25-01**

(52) **U.S. Cl.** **D25/133**

(58) **Field of Search** D25/133; 52/272, 52/280, 281, 295, 587.1; 403/189, 408.1, 346, 347

(56) **References Cited**

U.S. PATENT DOCUMENTS

- 2,920,475 A * 1/1960 Graham 52/587.1
- 3,787,134 A * 1/1974 Burr 52/280
- 4,905,436 A * 3/1990 Matsuo et al. 403/189

D389,252 S * 1/1998 Alberson et al. D25/133

* cited by examiner

Primary Examiner—Doris Clark

(74) *Attorney, Agent, or Firm*—Muramatsu & Associates

(57) **CLAIM**

The ornamental design for a joint for connecting a pillar and a beam, as shown and described.

DESCRIPTION

FIG. 1 is a front elevational view of the joint for connecting a pillar and a beam showing our new design.

FIG. 2 is a top plan view thereof.

FIG. 3 is a left side elevational view thereof.

FIG. 4 is a right side elevational view thereof.

FIG. 5 is a partially sectional view thereof taken substantially by the arrows 5—5 of FIG. 1.

FIG. 6 is a partially sectional view thereof taken substantially by the arrows 6—6 of FIG. 1.

FIG. 7 is a perspective view thereof showing the state in which the joint is used to connect a cross-shaped sectional pillar and H-shaped sectional beams; and,

FIG. 8 is a perspective view thereof showing the state in which the joint is used to connect an H-shaped sectional pillar and H-shaped sectional beams.

1 Claim, 4 Drawing Sheets

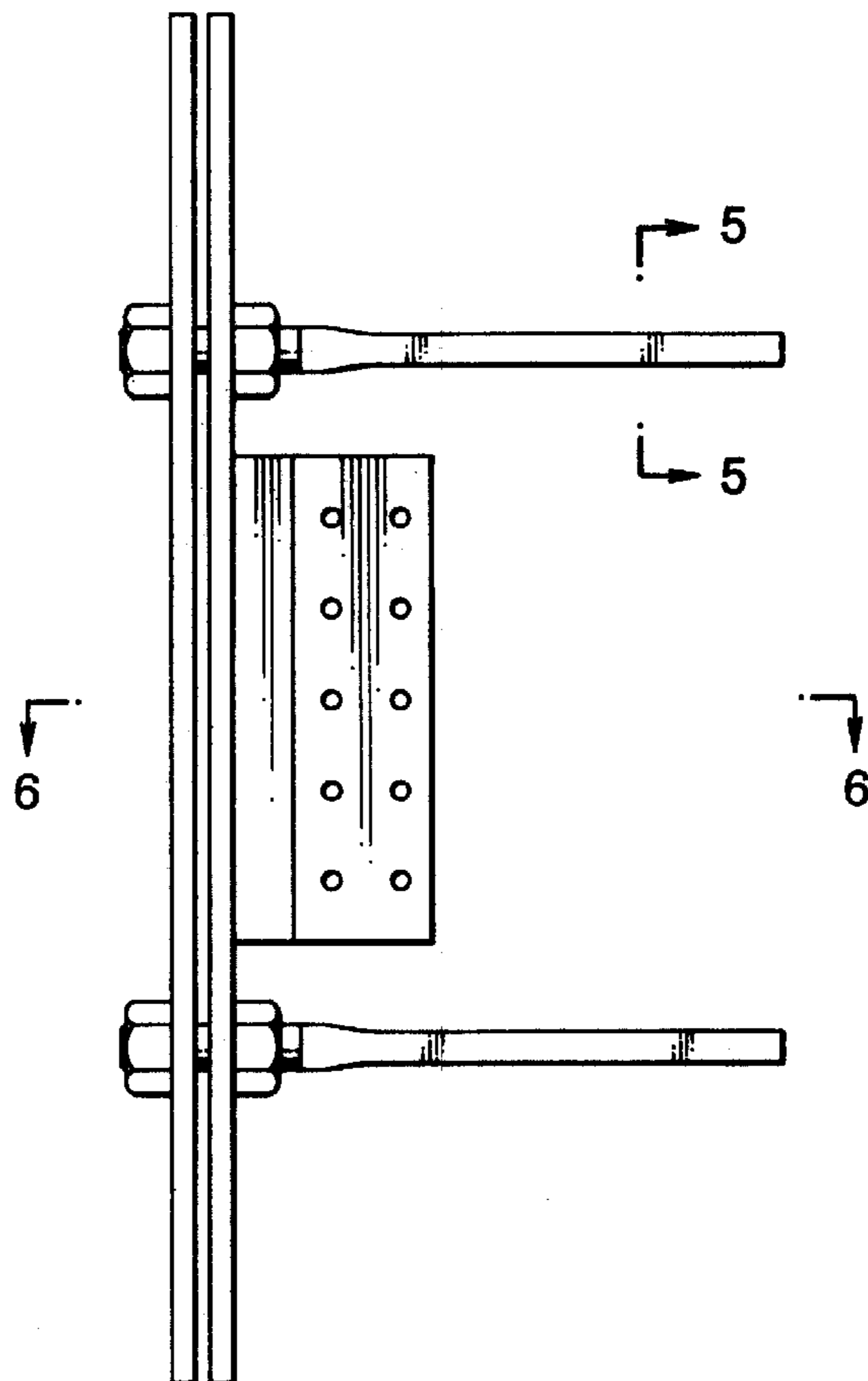


Fig. 1

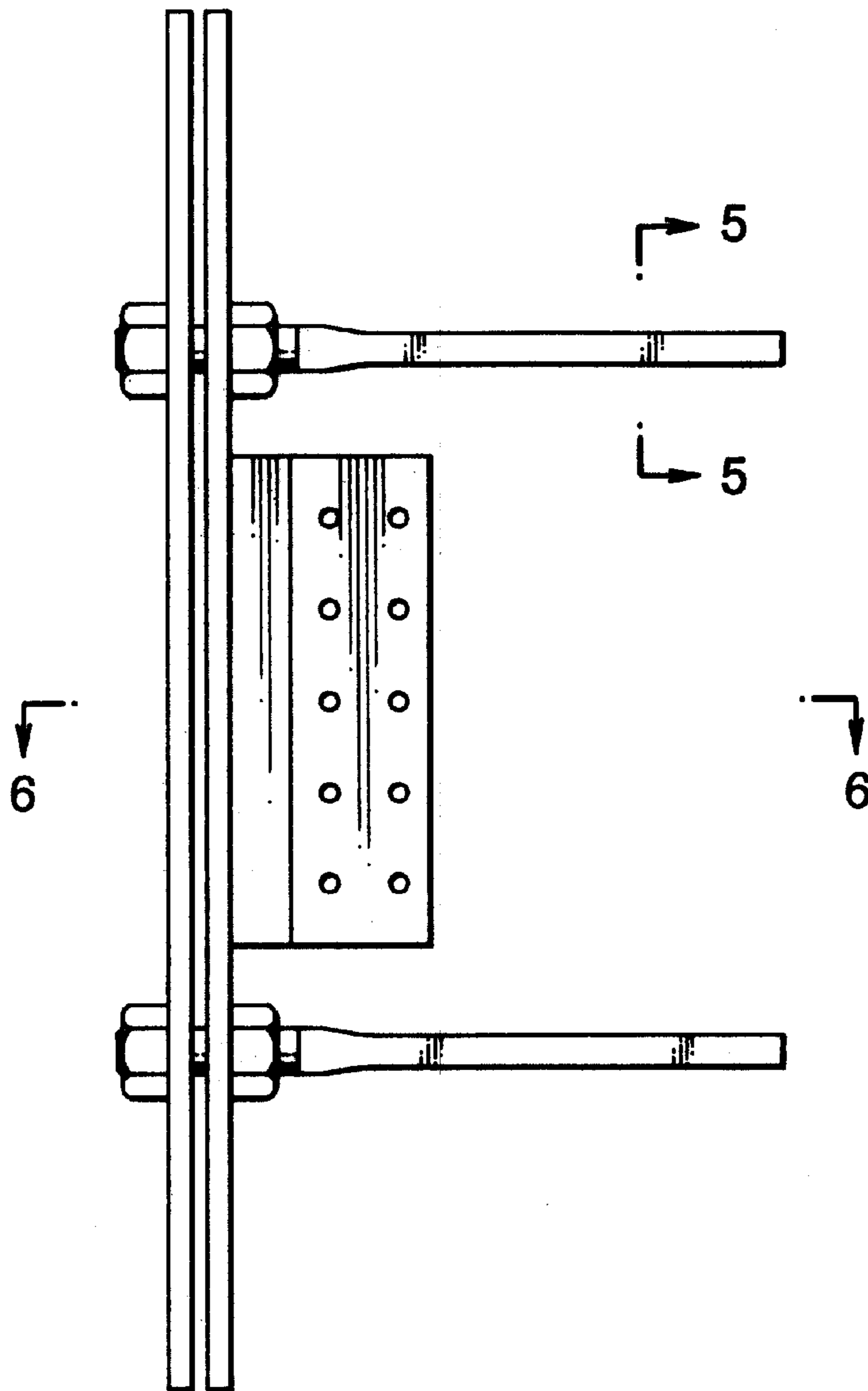


Fig. 2

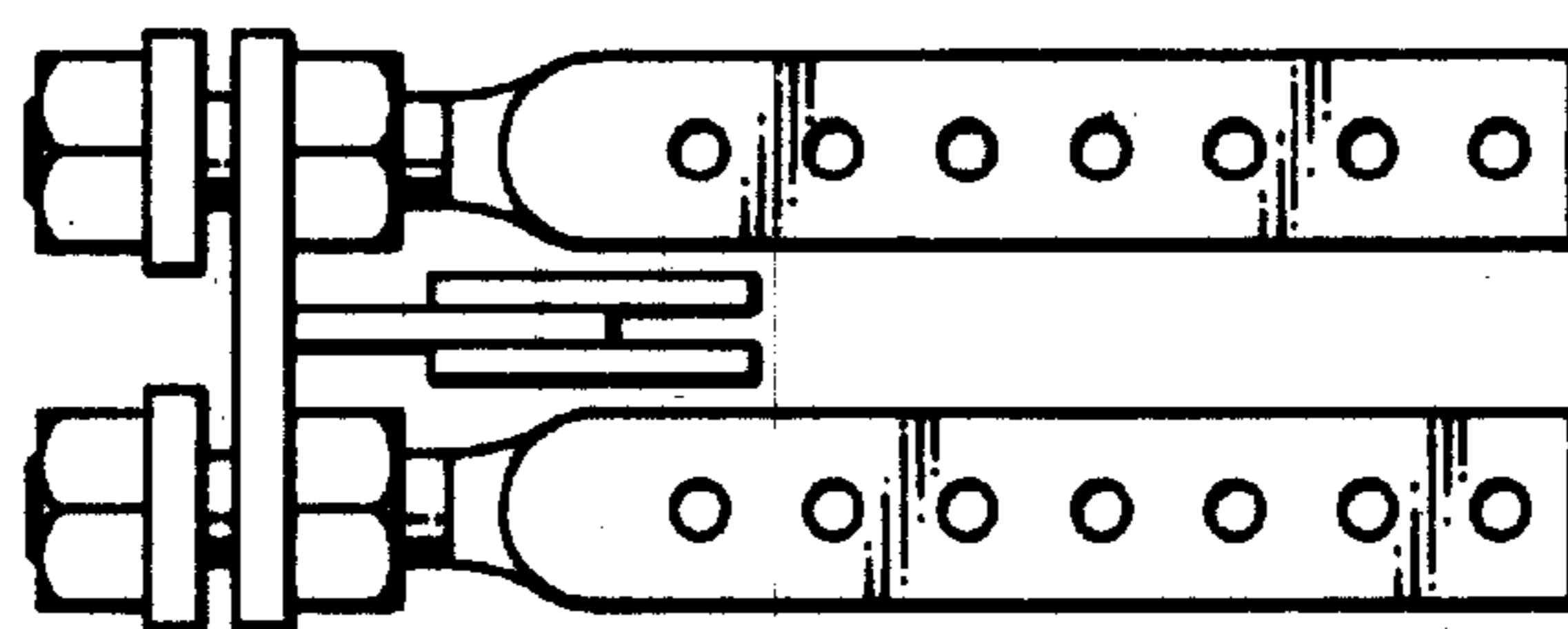


Fig. 3

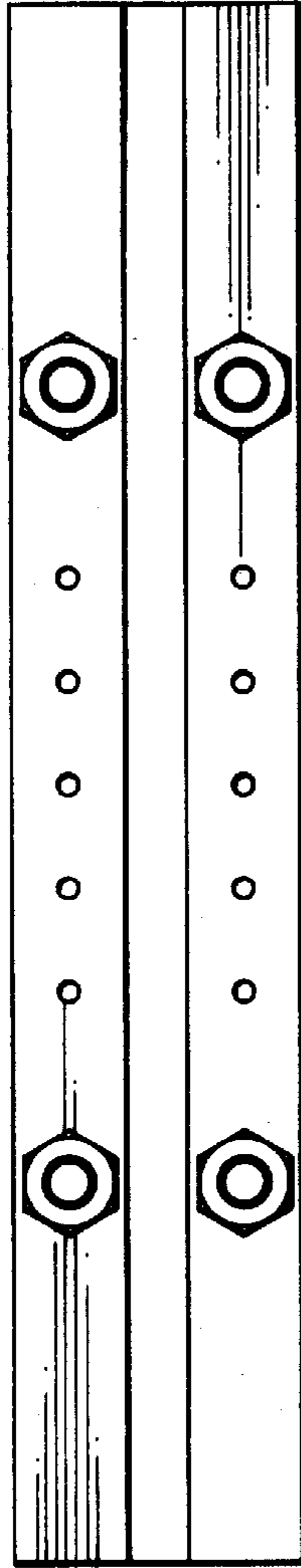


Fig. 4

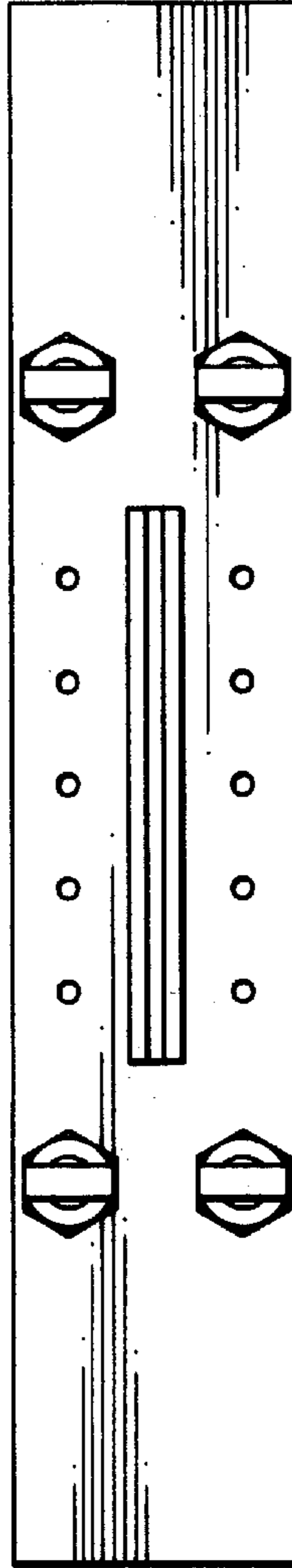


Fig. 5

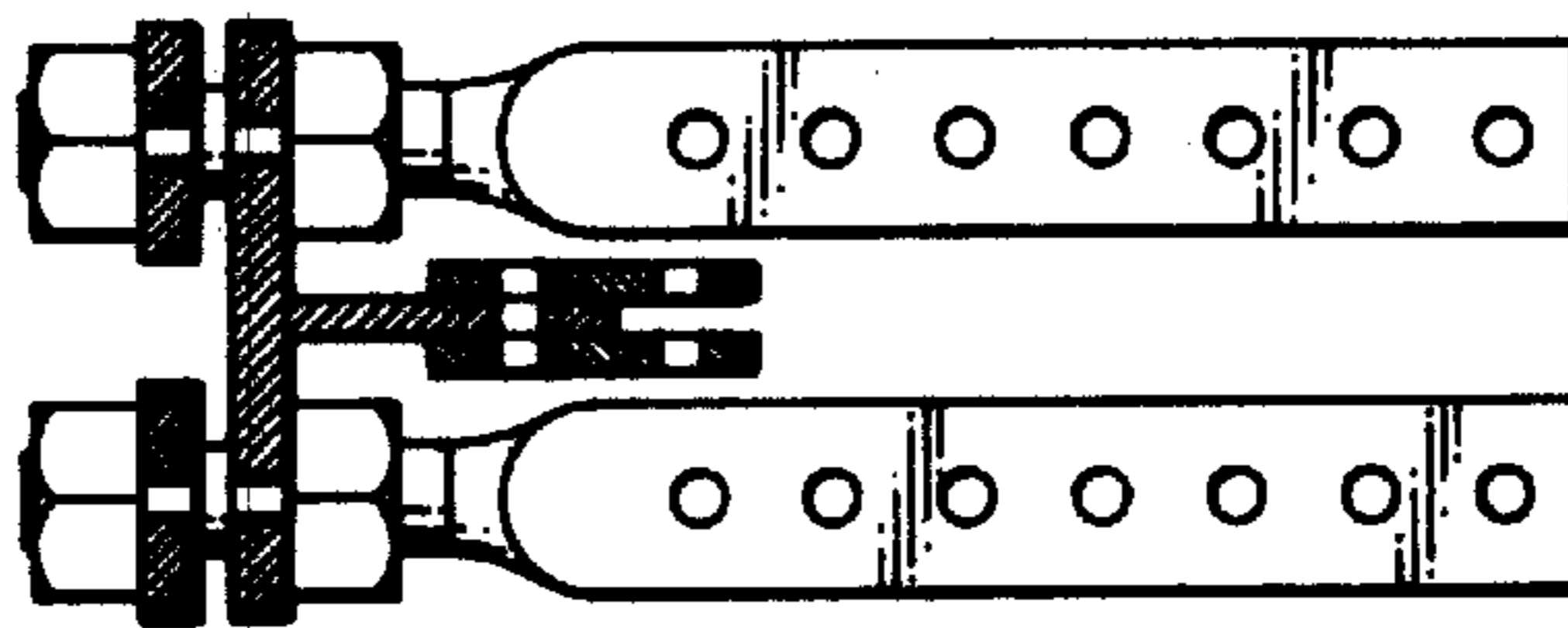


Fig. 6

Fig. 7

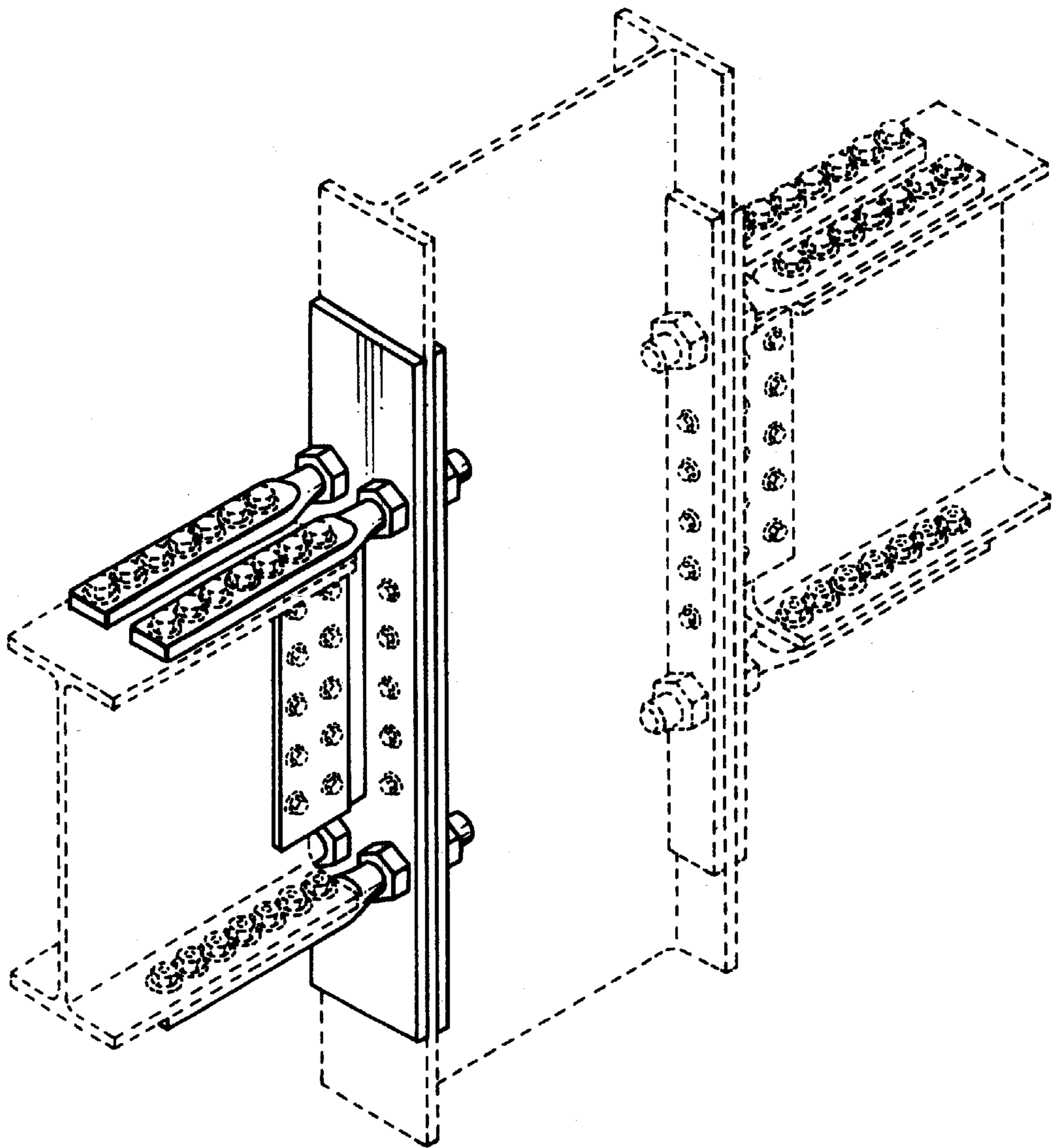


Fig. 8

