



US00D473956S

(12) **United States Design Patent**  
Westphal et al.

(10) **Patent No.:** **US D473,956 S**

(45) **Date of Patent:** **\*\* Apr. 29, 2003**

(54) **SINGLE GLIDER FRAME FOR A WINDOW**

(75) **Inventors:** **Dennis C. Westphal**, Parma, MI (US);  
**Stanley Gursky**, Yardley, PA (US);  
**Edward McIntosh**, West Chester, PA (US);  
**Jerome Carl Habeck**, Holt, MI (US)

(73) **Assignee:** **CertainTeed Corp**, Valley Forge, PA (US)

(\*\*) **Term:** **14 Years**

(21) **Appl. No.:** **29/161,986**

(22) **Filed:** **Jun. 7, 2002**

(51) **LOC (7) Cl.** ..... **25-01**

(52) **U.S. Cl.** ..... **D25/124**

(58) **Field of Search** ..... D25/124; 52/204.5,  
52/204.56, 204.51, 230.3, 205.1, 202, 730.5,  
731, 732, 738; 49/DIG. 2, 504, 505, 404,  
413, 419, 407, 408

(56) **References Cited**

**U.S. PATENT DOCUMENTS**

D438,644 S \* 3/2001 Habeck et al. .... D25/124

\* cited by examiner

*Primary Examiner*—Doris Clark

(74) *Attorney, Agent, or Firm*—Duane Morris LLP

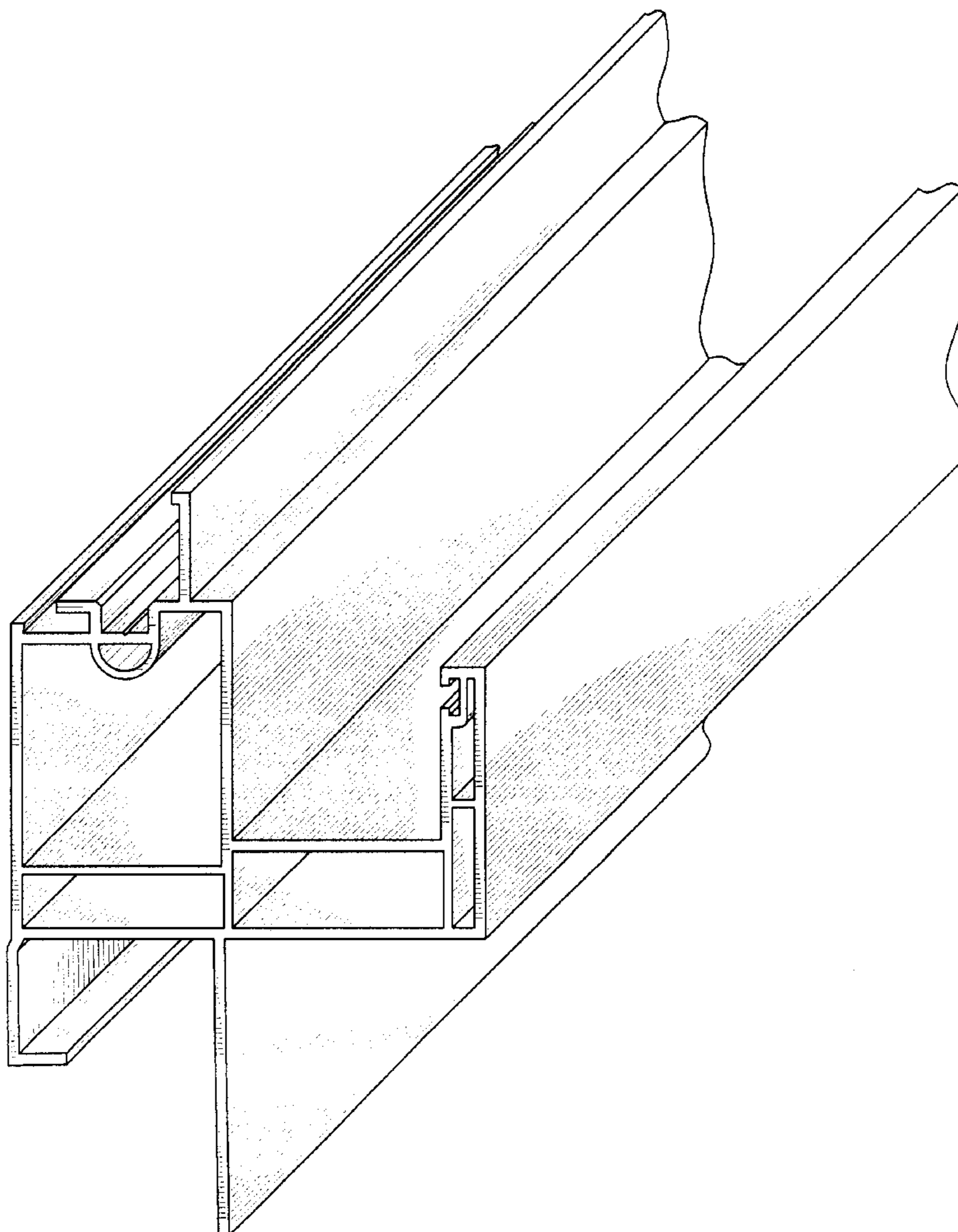
(57) **CLAIM**

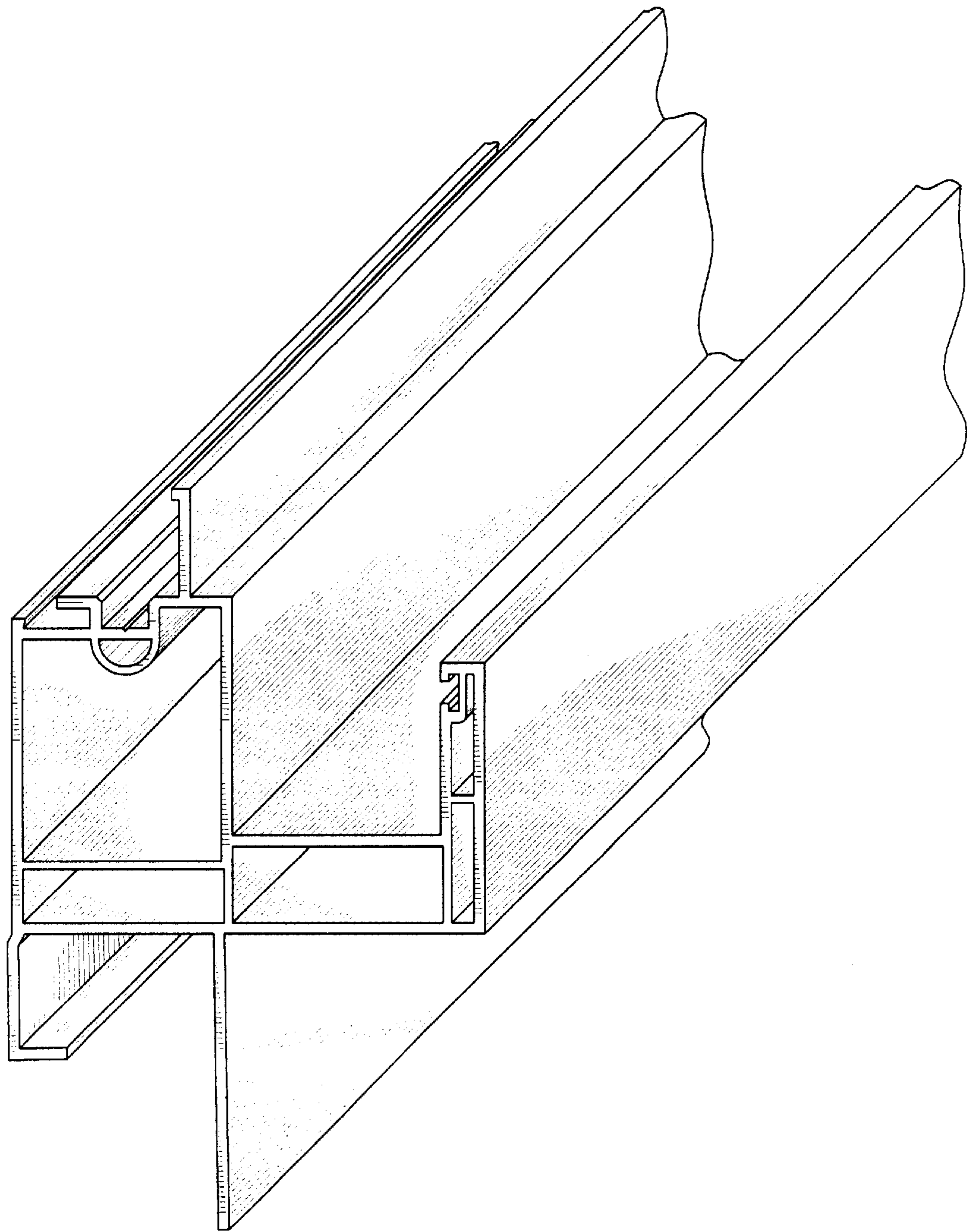
The ornamental design for a single glider frame for a window, as shown and described.

**DESCRIPTION**

The FIGURE is a front perspective view of a single glider frame for a window, showing our new design, the rear perspective view being a mirror image thereof, and is shown fragmented indicating indefinite length.

**1 Claim, 1 Drawing Sheet**





THE FIGURE