



US00D473954S

(12) **United States Design Patent**
Mondo

(10) **Patent No.:** **US D473,954 S**

(45) **Date of Patent:** **** Apr. 29, 2003**

(54) **OFFSET BLOCK**

(76) Inventor: **Mark Mondo**, P.O. Box 250, Reno, OH (US) 45773

(*) Notice: This patent is subject to a terminal disclaimer.

(**) Term: **14 Years**

4,797,237 A	1/1989	Hammer et al.
4,822,542 A	4/1989	Kuwabara et al.
5,093,053 A	3/1992	Eckardt et al.
5,104,255 A	4/1992	Bodensohn
5,106,554 A	4/1992	Drews
5,195,727 A	3/1993	Liao et al.
5,219,241 A	6/1993	Picton

(List continued on next page.)

(21) Appl. No.: **29/165,733**

(22) Filed: **Aug. 15, 2002**

Related U.S. Application Data

(63) Continuation-in-part of application No. 29/156,373, filed on Feb. 28, 2002.

(51) **LOC (7) Cl.** **25-01**

(52) **U.S. Cl.** **D25/118**

(58) **Field of Search** D25/113-116,
D25/118; D21/484, 491-492, 560-565;
405/16, 284, 272, 273; 404/29, 34-42;
52/102, 103, 581, 588.1, 582.1, 582.2,
596-599, 603-605, 608, 612

(56) **References Cited**

U.S. PATENT DOCUMENTS

1,921,129 A	8/1933	Miller	
D134,608 S	* 12/1942	Larson	D25/114
2,459,028 A	* 1/1949	Hester	D25/118 X
2,688,245 A	* 9/1954	Vesper	D25/118 X
D184,747 S	* 3/1959	Livesay, Jr.	D25/115
D185,611 S	* 6/1959	Paulson	D25/115
2,923,029 A	2/1960	Harris et al.	
3,603,562 A	9/1971	Glaesener	244/3.21
3,876,185 A	4/1975	Welch	
3,963,218 A	6/1976	Glaesener	
4,115,491 A	9/1978	Hanning	
4,138,093 A	2/1979	Meinzer	
4,303,349 A	12/1981	Upton	
4,330,106 A	5/1982	Chisholm	
4,427,818 A	1/1984	Prusinski	
4,521,999 A	* 6/1985	Flanagan	52/103

FOREIGN PATENT DOCUMENTS

WO	WO 97/47495	12/1997
WO	WO 98/50637	11/1998
WO	WO 00/09813	2/2000
WO	WO 00/40805	7/2000

OTHER PUBLICATIONS

Bryson Products, Inc., *Re-Block*, May 2, 2002.
Bryson Products, Inc., *Bryson Block Brochure and article*, Public Roads, Jul./Aug. 2000.
Trinity Industries, Inc., *King Block Advertisement*.
Albritton, *Energy Absorbing System for Fixed Roadside Hazards* U.S. Pat. appl. 2001/0014254 Aug. 16, 2001.

Primary Examiner—Louis S. Zarfaz
Assistant Examiner—Robert A. Delehanty
(74) *Attorney, Agent, or Firm*—Wood, Herron & Evans, LLP

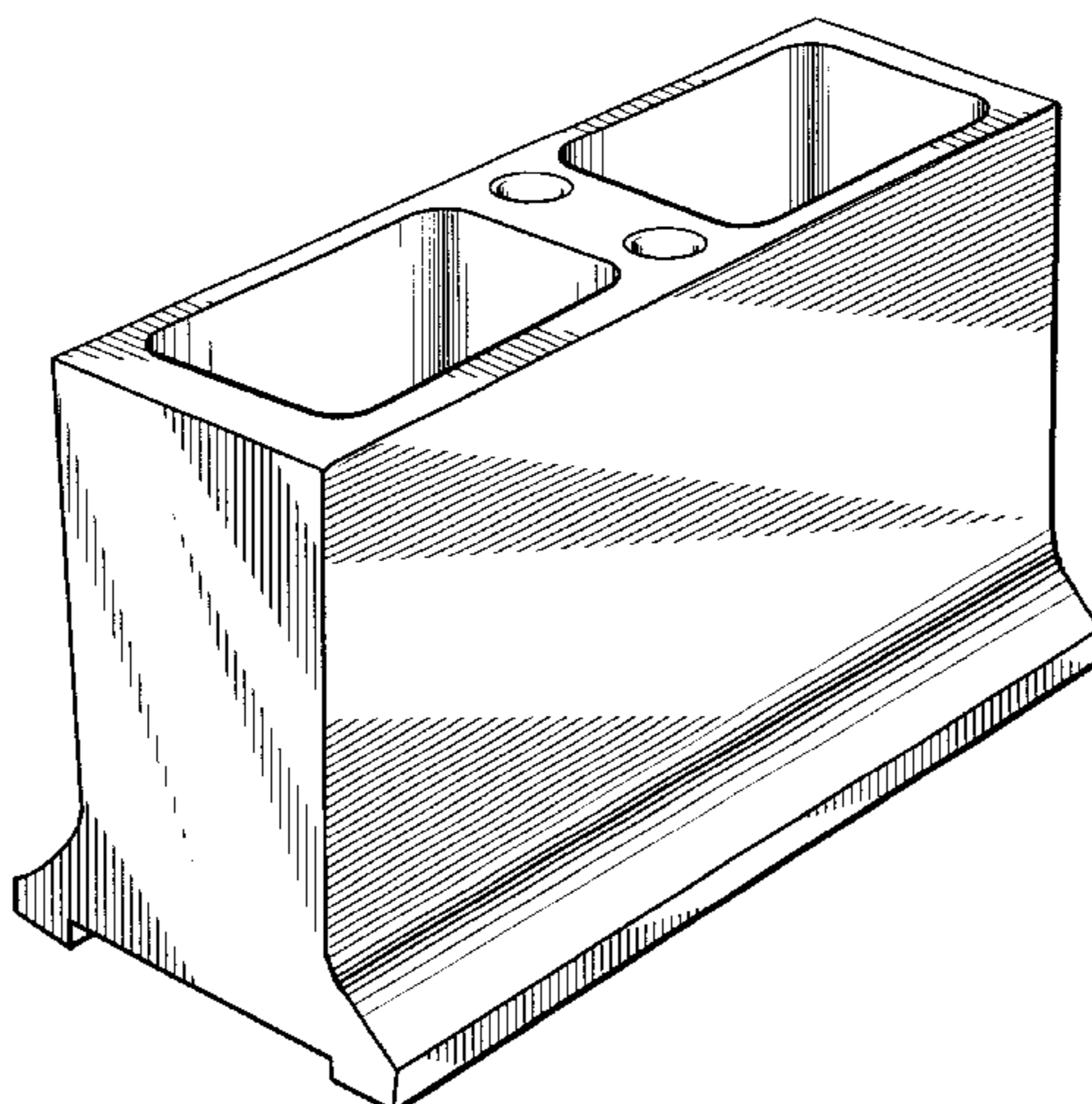
(57) **CLAIM**

The ornamental design for an offset block, as shown and described.

DESCRIPTION

FIG. 1 is a perspective view of an offset block embodying my new design.
FIG. 2 is a top plan view thereof.
FIG. 3 is a bottom plan view thereof.
FIG. 4 is an end elevational view with the opposite end being a mirror image thereof; and,
FIG. 5 is a front elevational view with the back being a mirror image thereof.

1 Claim, 2 Drawing Sheets



US D473,954 S

Page 2

U.S. PATENT DOCUMENTS

5,286,136 A	2/1994	Mandish et al.	5,605,413 A	2/1997	Brown
5,336,016 A	8/1994	Baatz	5,607,252 A	3/1997	Tischer
5,360,286 A	11/1994	Russell	5,947,452 A	9/1999	Albritton
5,429,449 A	7/1995	Baatz	5,954,898 A	9/1999	McKague et al.
5,499,891 A *	3/1996	Klenert 405/284	6,007,269 A	12/1999	Marinelli
5,507,477 A	4/1996	Hammer et al.	6,293,727 B1	9/2001	Albritton
5,549,418 A	8/1996	Devine et al.	2001/0014254 A	8/1901	Albritton

* cited by examiner

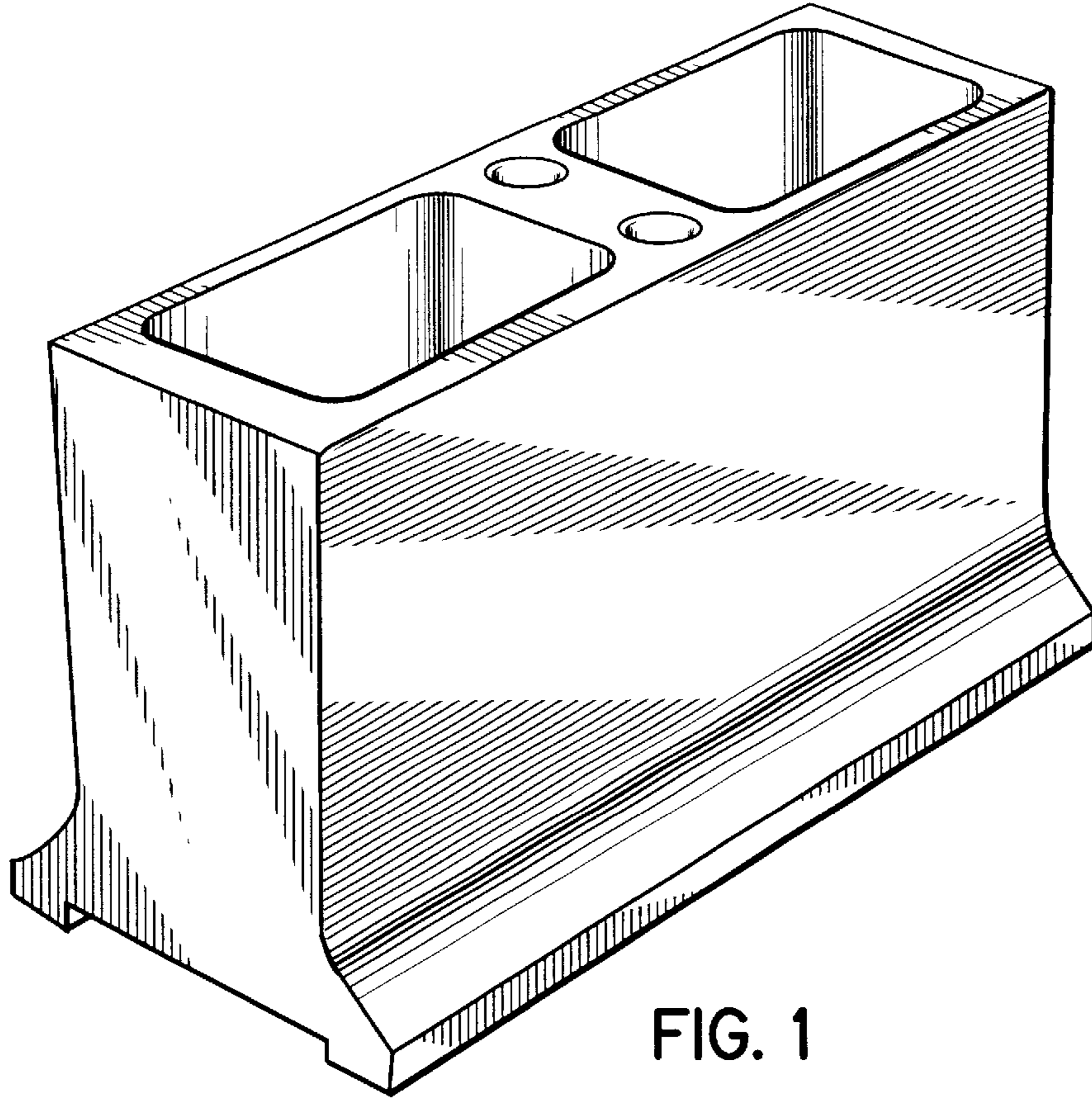


FIG. 1

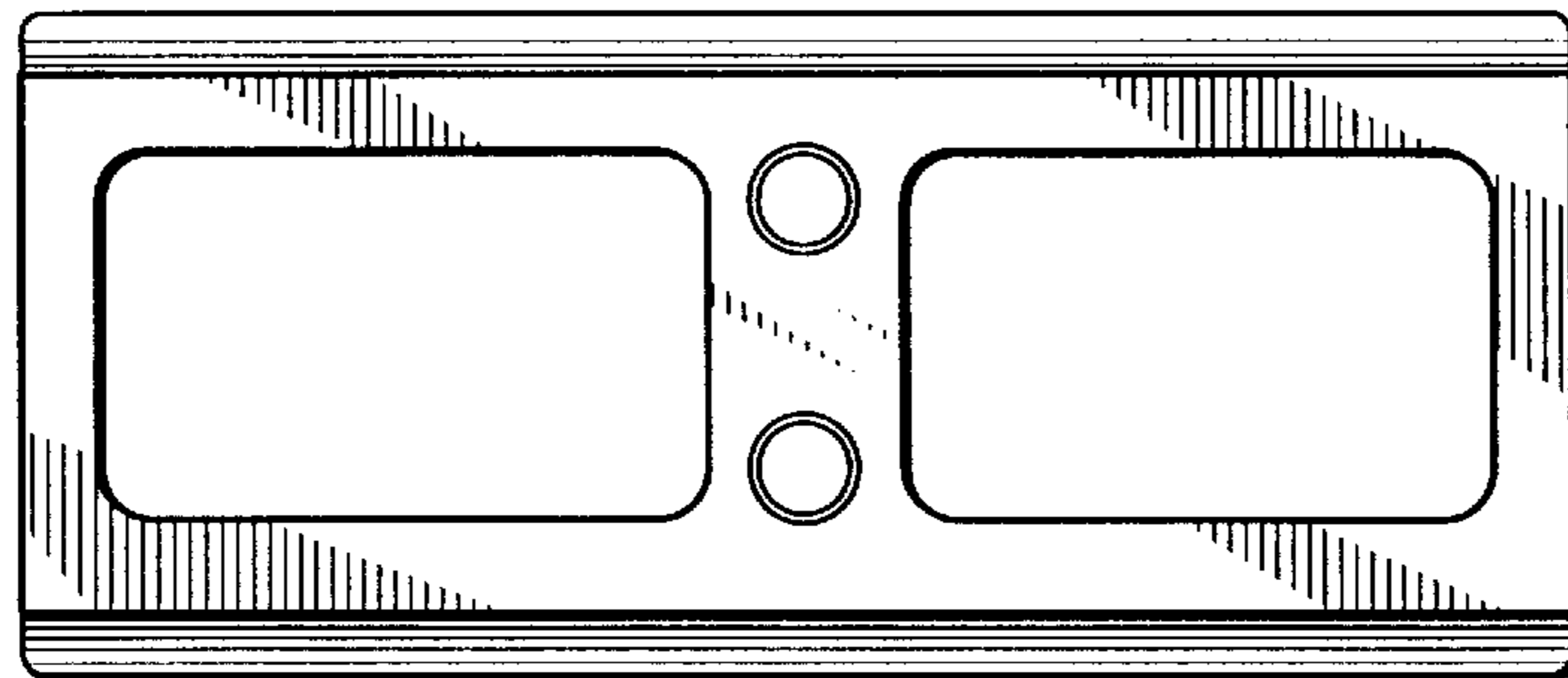


FIG. 2

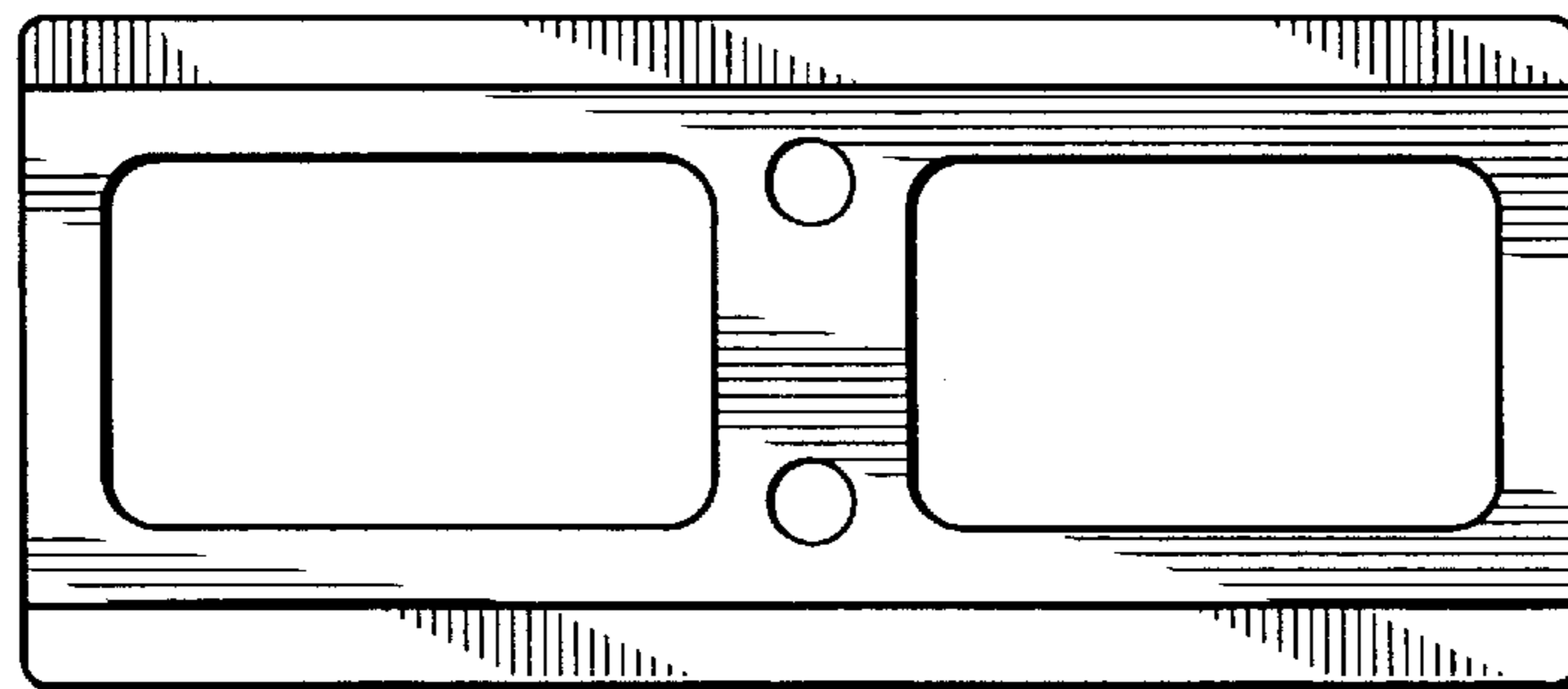


FIG. 3

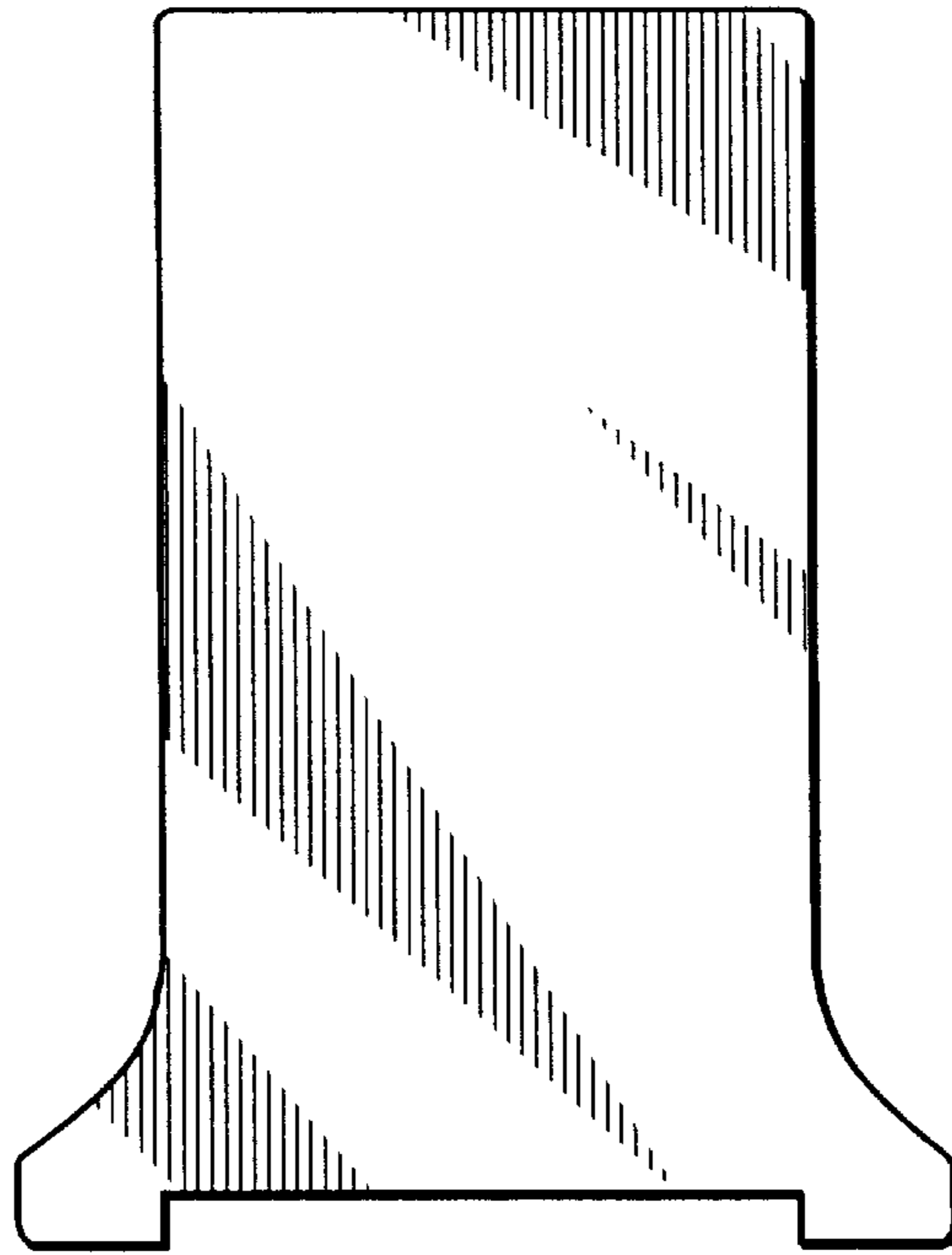


FIG. 4

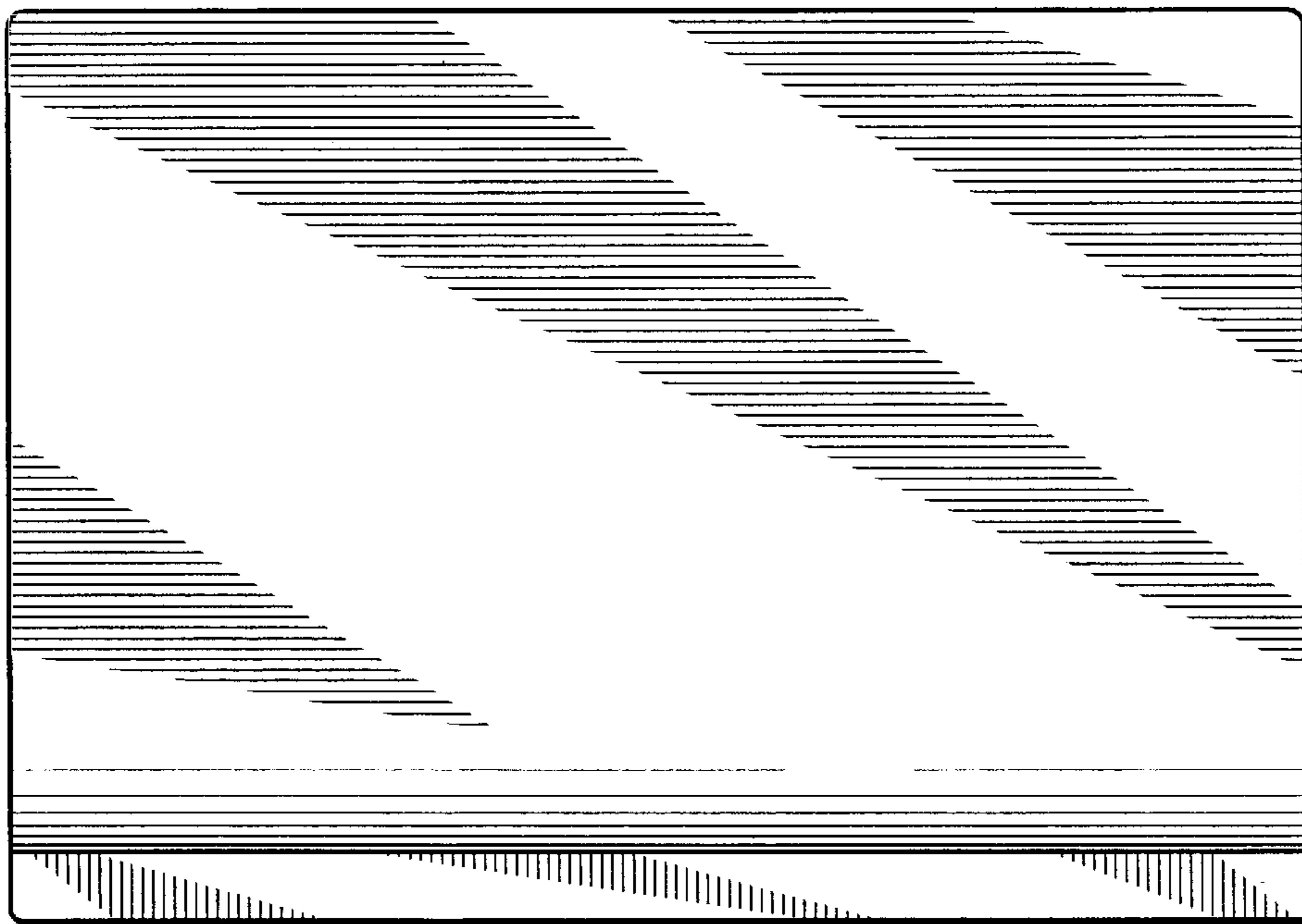


FIG. 5