



US00D473942S

(12) **United States Design Patent**  
**Motoki et al.**

(10) **Patent No.:** **US D473,942 S**

(45) **Date of Patent:** **\*\* Apr. 29, 2003**

(54) **REMOTE CONTROL APPARATUS FOR INDUSTRIAL ENDOSCOPE**

(75) Inventors: **Nobuyuki Motoki**, Hachioji (JP);  
**Hiroyuki Fukuda**, Machida (JP);  
**Yoshihiro Hayashi**, Hachioji (JP)

(73) Assignee: **Olympus Optical Co., Ltd.**, Tokyo (JP)

(\*\*) Term: **14 Years**

(21) Appl. No.: **29/148,580**

(22) Filed: **Sep. 21, 2001**

(30) **Foreign Application Priority Data**

Apr. 27, 2001 (JP) ..... 2001-012585  
Apr. 27, 2001 (JP) ..... 2001-012606

(51) **LOC (7) Cl.** ..... **24-02**

(52) **U.S. Cl.** ..... **D24/137; D24/138**

(58) **Field of Search** ..... D24/137, 138,  
D24/133; D14/412, 413; D21/333, 329;  
273/148 B; 200/6 A; 600/118, 106, 117

(56) **References Cited**

**U.S. PATENT DOCUMENTS**

4,616,115 A \* 10/1986 Potyka ..... 200/6 A  
4,633,167 A \* 12/1986 Kitts ..... 273/148 B  
4,739,128 A \* 4/1988 Grisham ..... 200/6 A  
5,347,989 A \* 9/1994 Monroe et al. .... 600/149

D358,471 S \* 5/1995 Cope et al. .... D24/137  
5,631,453 A \* 5/1997 Maeda ..... 200/6 A  
6,126,591 A \* 10/2000 McGarry et al. .... 600/102  
6,186,896 B1 \* 2/2001 Takeda et al. .... 273/148 B  
6,359,243 B1 \* 3/2002 Nakade et al. .... 200/6 A  
6,371,907 B1 \* 4/2002 Hasegawa et al. .... 600/150

\* cited by examiner

*Primary Examiner*—Ian Simmons

(74) *Attorney, Agent, or Firm*—Hogan & Hartson, LLP

(57) **CLAIM**

The ornamental design for a remote control apparatus for industrial endoscope, as shown and described.

**DESCRIPTION**

FIG. 1 is a perspective view as seen obliquely from the upper right side of the front of a remote control apparatus for an industrial endoscope of our novel design according to a first embodiment;

FIG. 2 is a perspective view as seen obliquely from the bottom left side of the rear thereof;

FIG. 3 is a front elevational view thereof;

FIG. 4 is a rear view thereof;

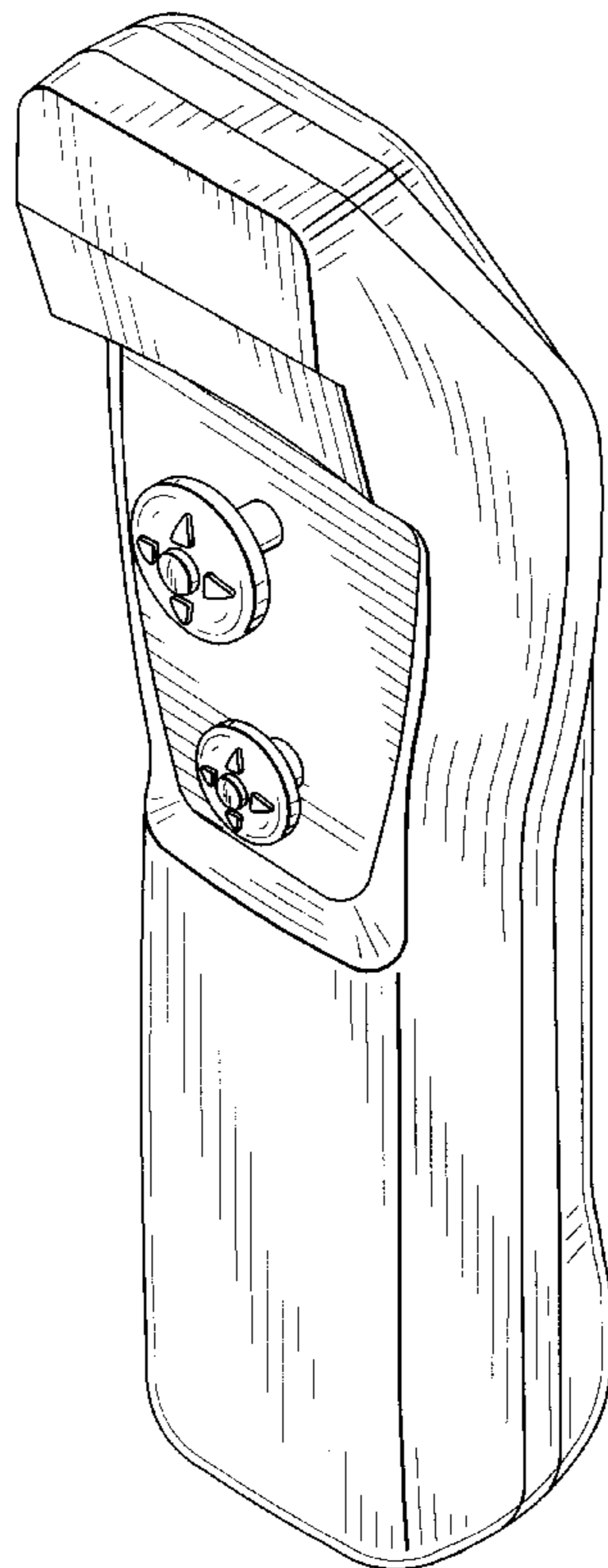
FIG. 5 is a top plan view thereof;

FIG. 6 is a bottom plan view thereof;

FIG. 7 is a right side elevational view thereof; and,

FIG. 8 is a left side elevational view thereof.

**1 Claim, 7 Drawing Sheets**



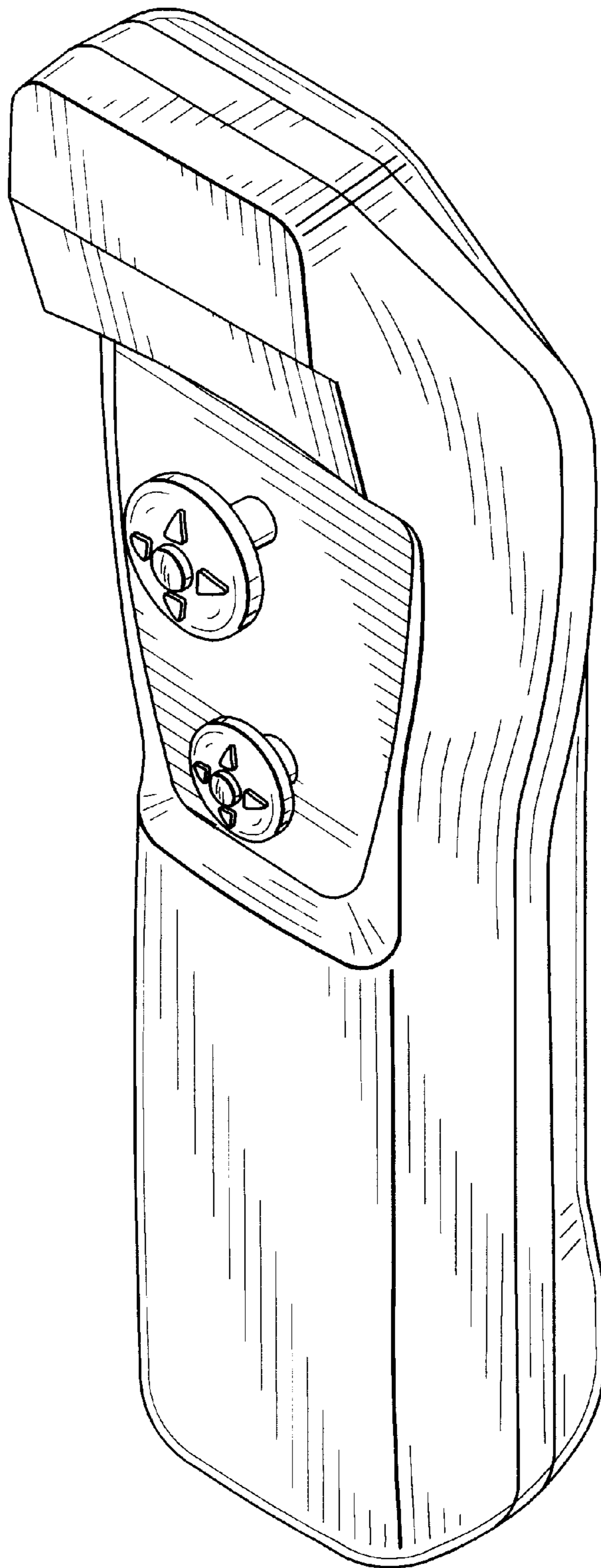


FIG. 1

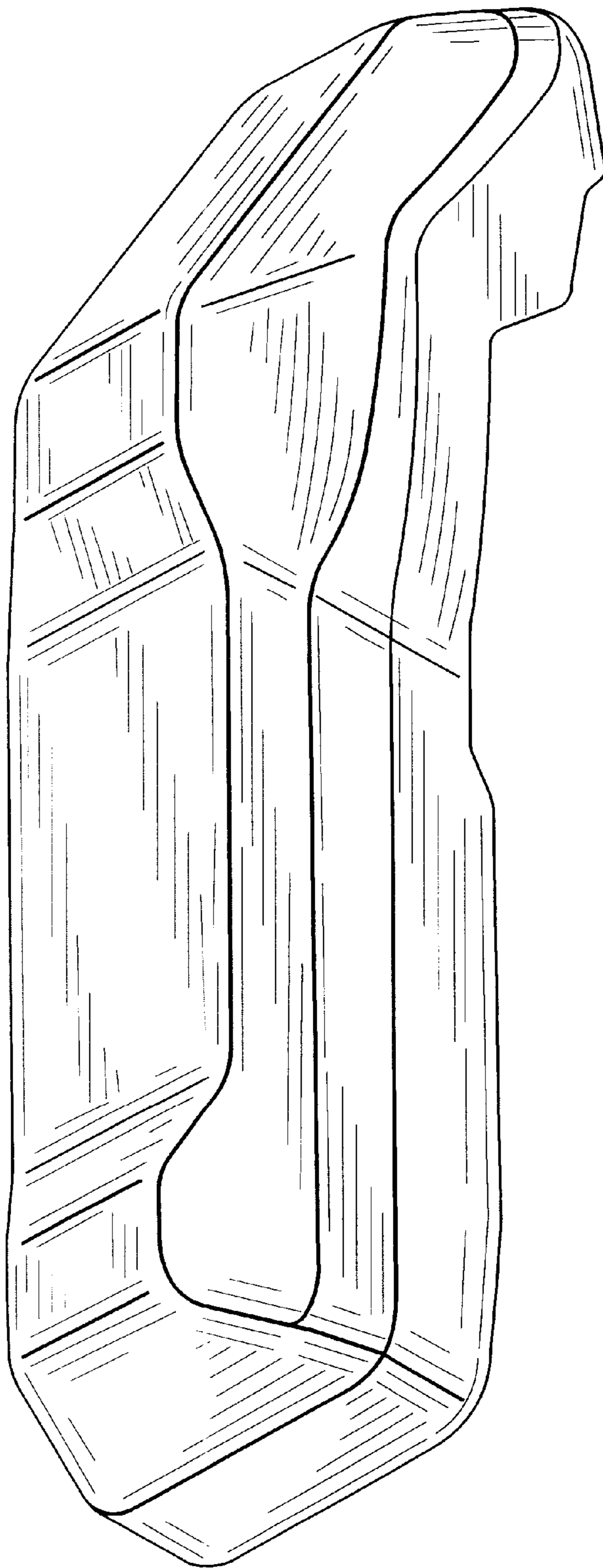


FIG. 2

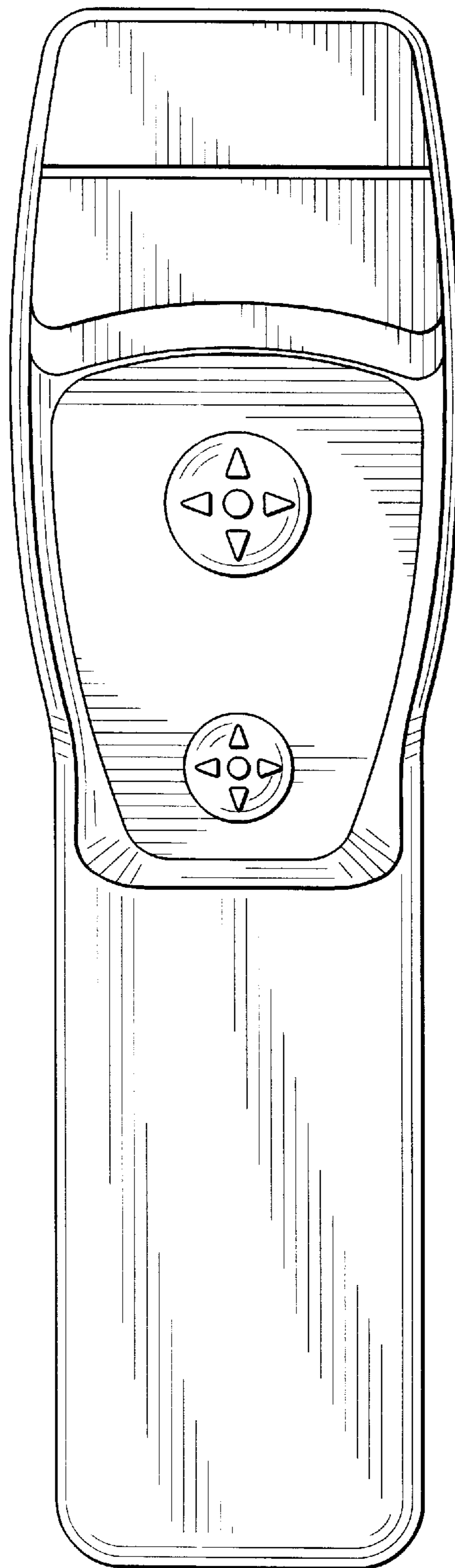


FIG. 3

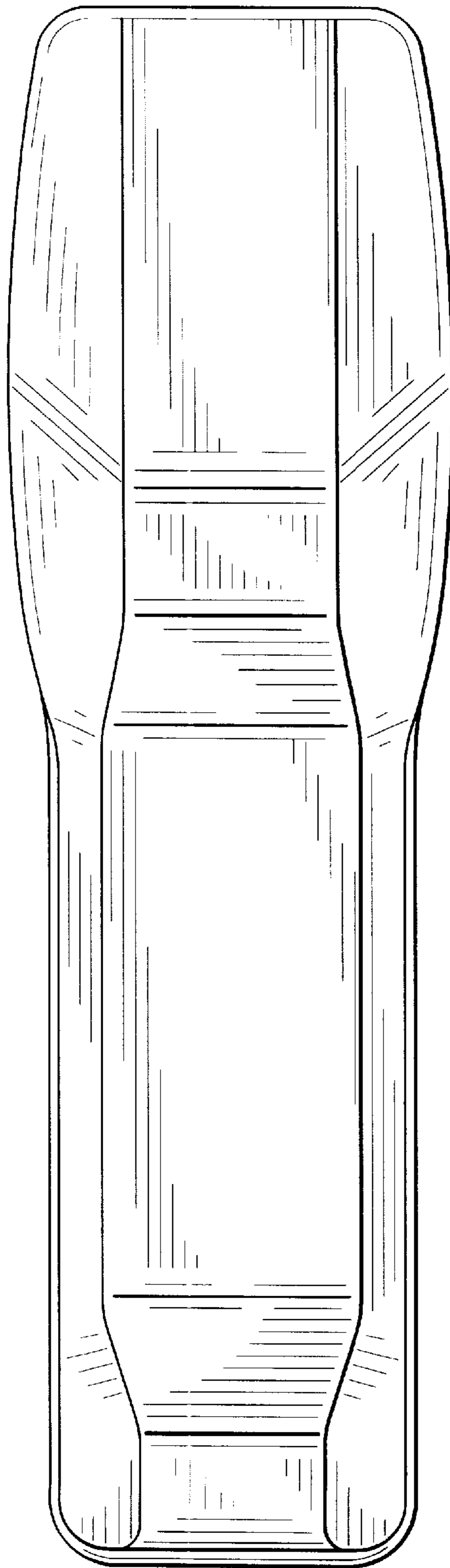


FIG. 4

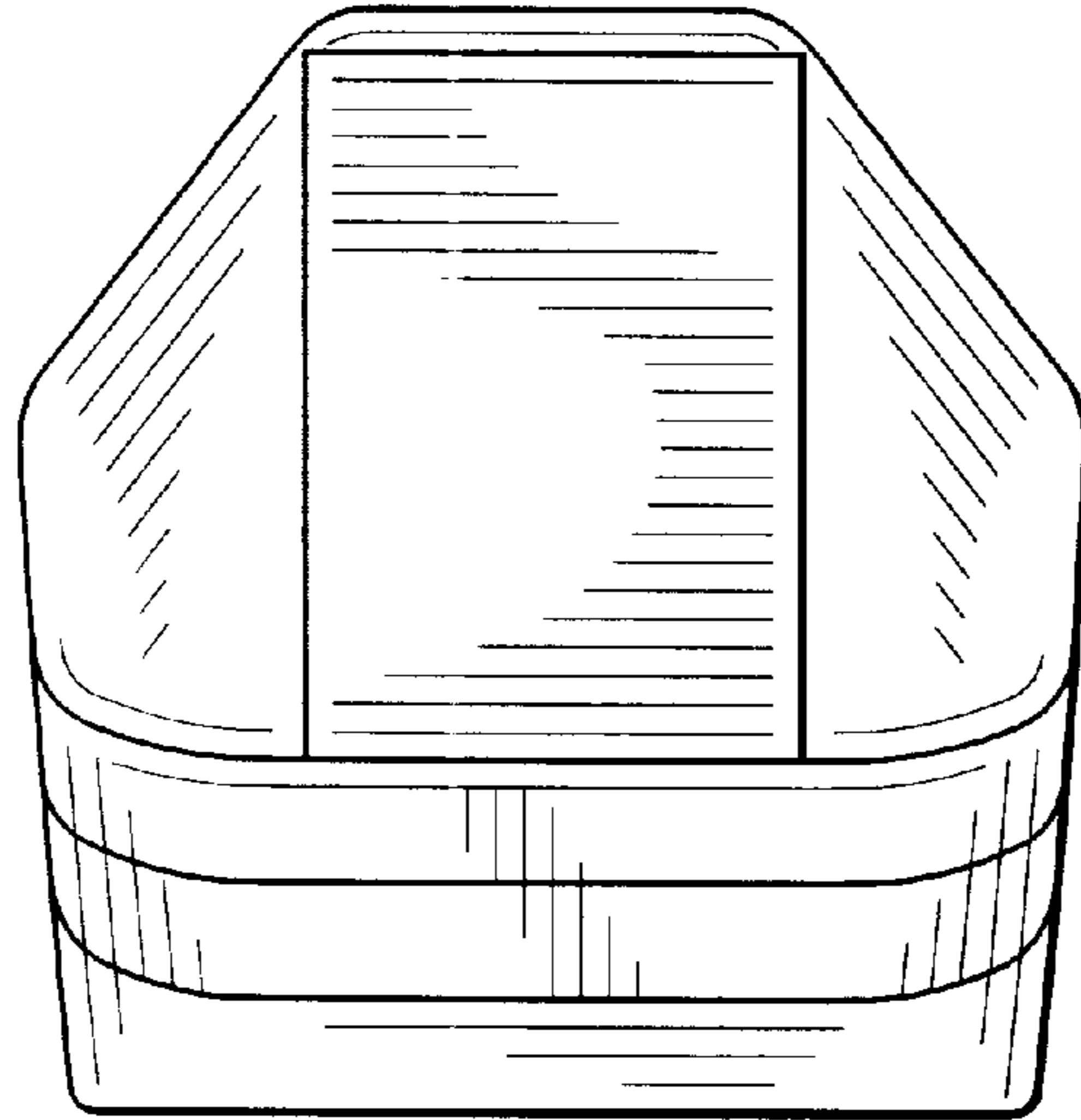


FIG. 5

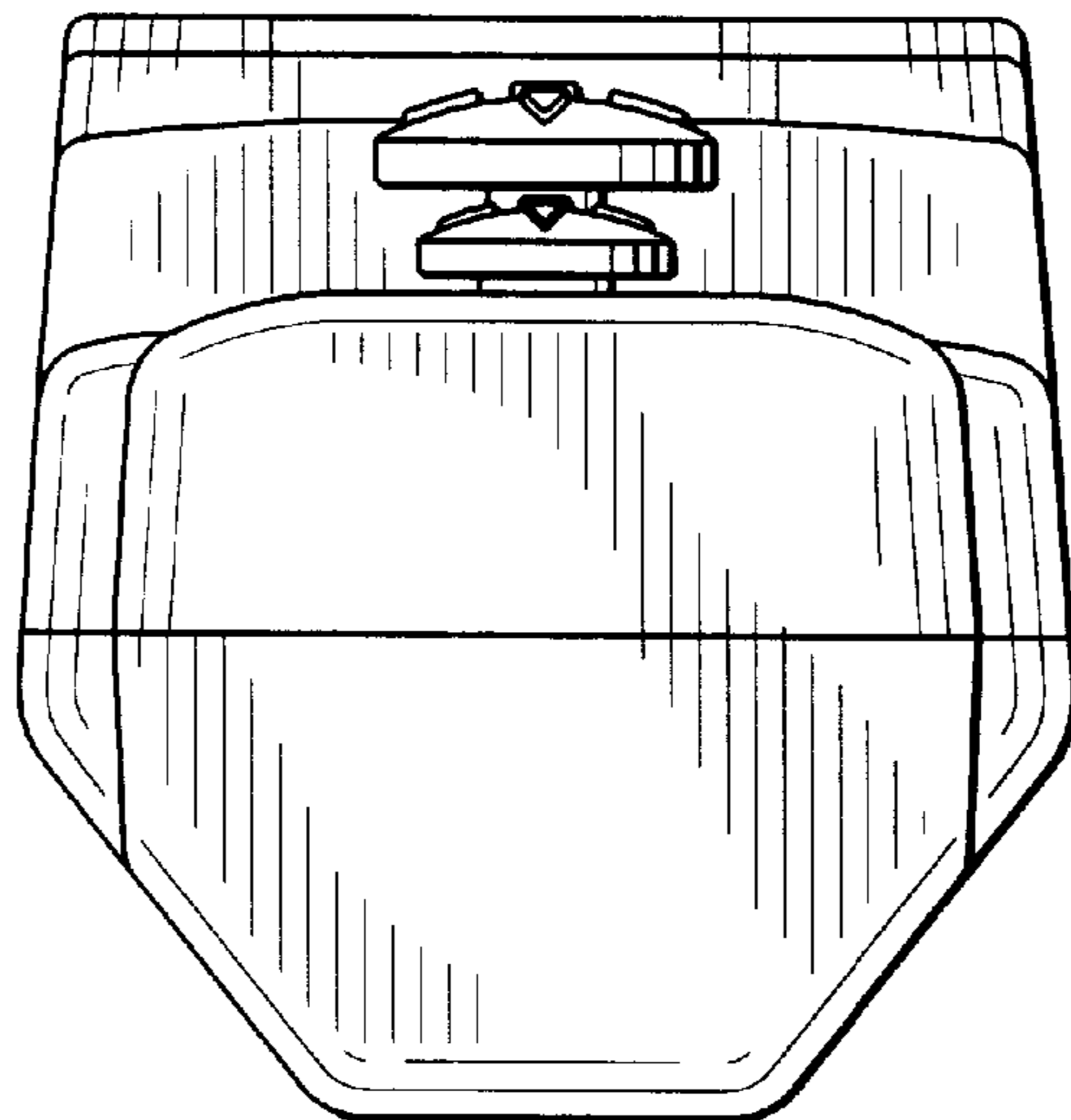


FIG. 6



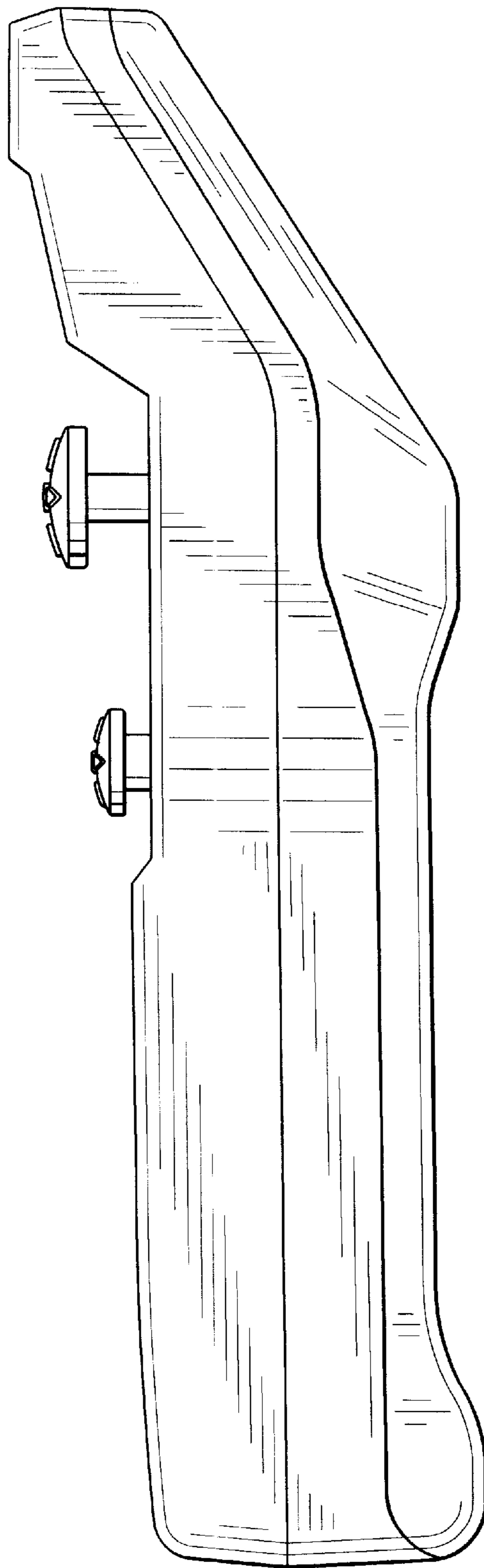


FIG. 7

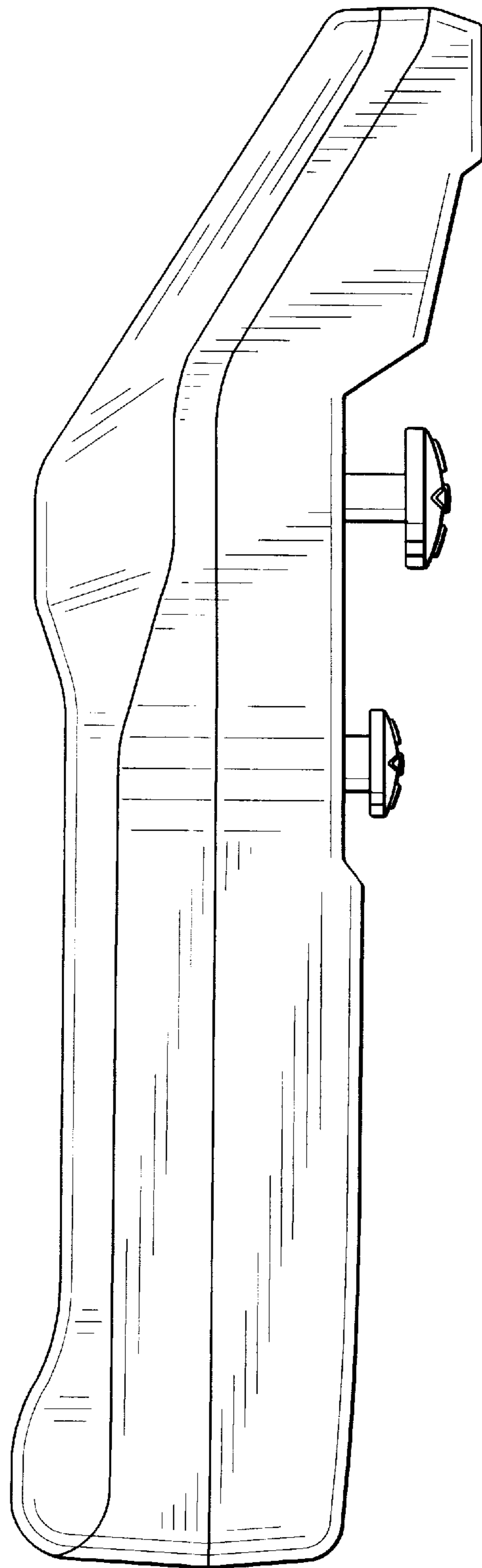


FIG. 8