



US00D473933S

(12) **United States Design Patent**  
**Warshawsky et al.**

(10) **Patent No.:** **US D473,933 S**

(45) **Date of Patent:** **\*\* Apr. 29, 2003**

(54) **FAUCET HANDLE**

D387,130 S \* 12/1997 Warshawsky ..... D23/238  
D433,102 S \* 10/2000 Spangler ..... D23/249

(75) Inventors: **Jerome Warshawsky**, Hewlett Harbor, NY (US); **Ari Warshawsky**, New York, NY (US); **Scott Frey**, Bayshore, NY (US)

\* cited by examiner

*Primary Examiner*—Louis S. Zarfes  
*Assistant Examiner*—Gregory Andoll  
(74) *Attorney, Agent, or Firm*—Alfred M. Walker

(73) Assignee: **I.W. Industries, Inc.**, Melville, NY (US)

(57) **CLAIM**

(\*\*) Term: **14 Years**

The ornamental design for a faucet handle, as shown and described.

(21) Appl. No.: **29/166,232**

**DESCRIPTION**

(22) Filed: **Aug. 26, 2002**

(51) **LOC (7) Cl.** ..... **23-01**

(52) **U.S. Cl.** ..... **D23/252**

(58) **Field of Search** ..... D23/238–243,  
D23/245, 250–257; D8/300–322, 350–353,  
DIG. 3; 16/110.1; 4/675–678; 137/801

FIG. 1 is a perspective view of a faucet handle showing our new design;  
FIG. 2 is a front elevation view thereof;  
FIG. 3 is a rear elevational view thereof;  
FIG. 4 is a top plan view thereof;  
FIG. 5 is a bottom view thereof; and,  
FIG. 6 is a right side elevational view thereof, the left side being a mirror image thereof.

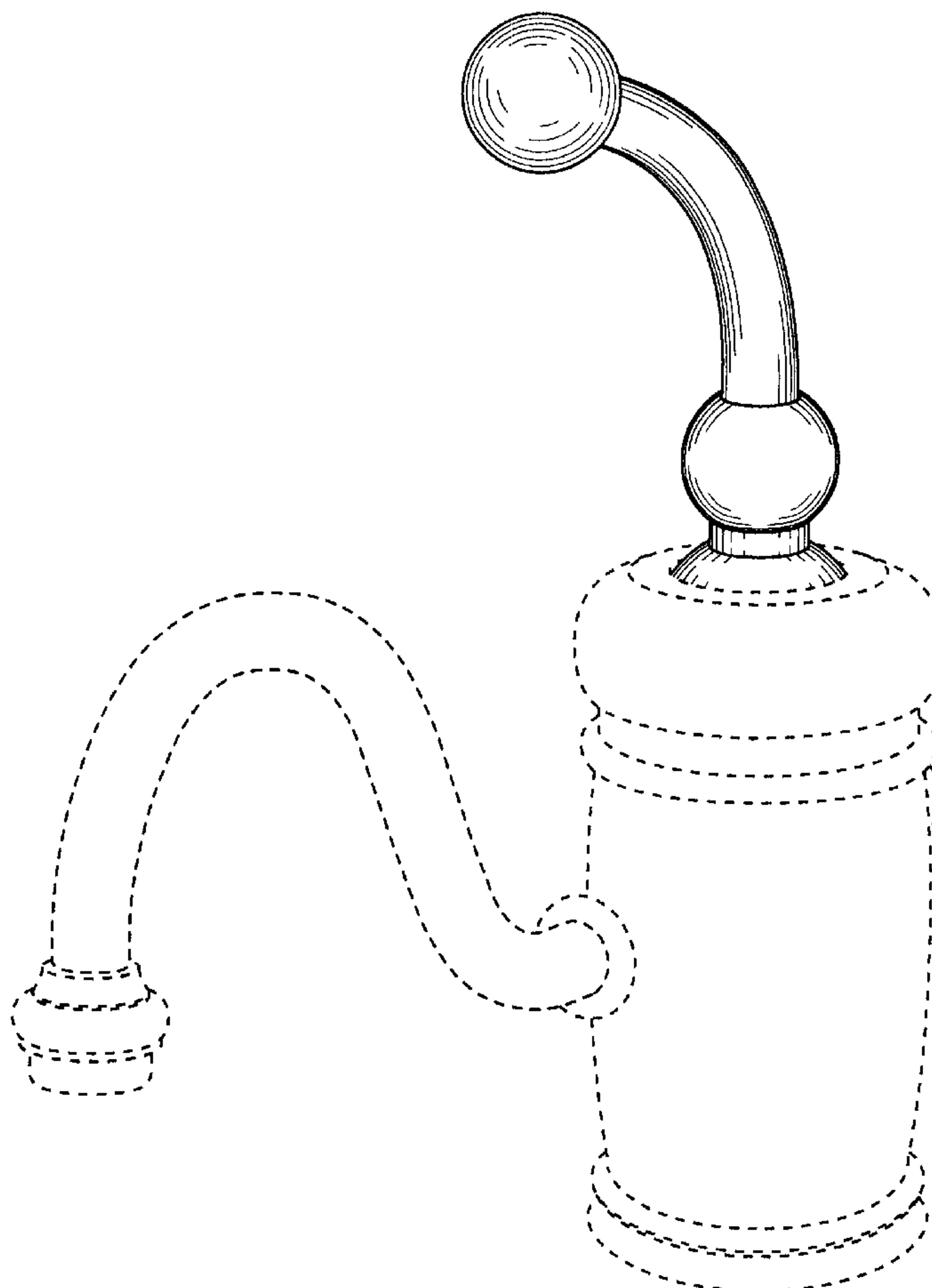
(56) **References Cited**

The broken lines in the Figures are for illustrative purposes only and form no part of the claimed design.

**U.S. PATENT DOCUMENTS**

D349,326 S \* 8/1994 Bollenbacher ..... D23/238  
D380,809 S \* 7/1997 Warshawsky ..... D23/238

**1 Claim, 4 Drawing Sheets**



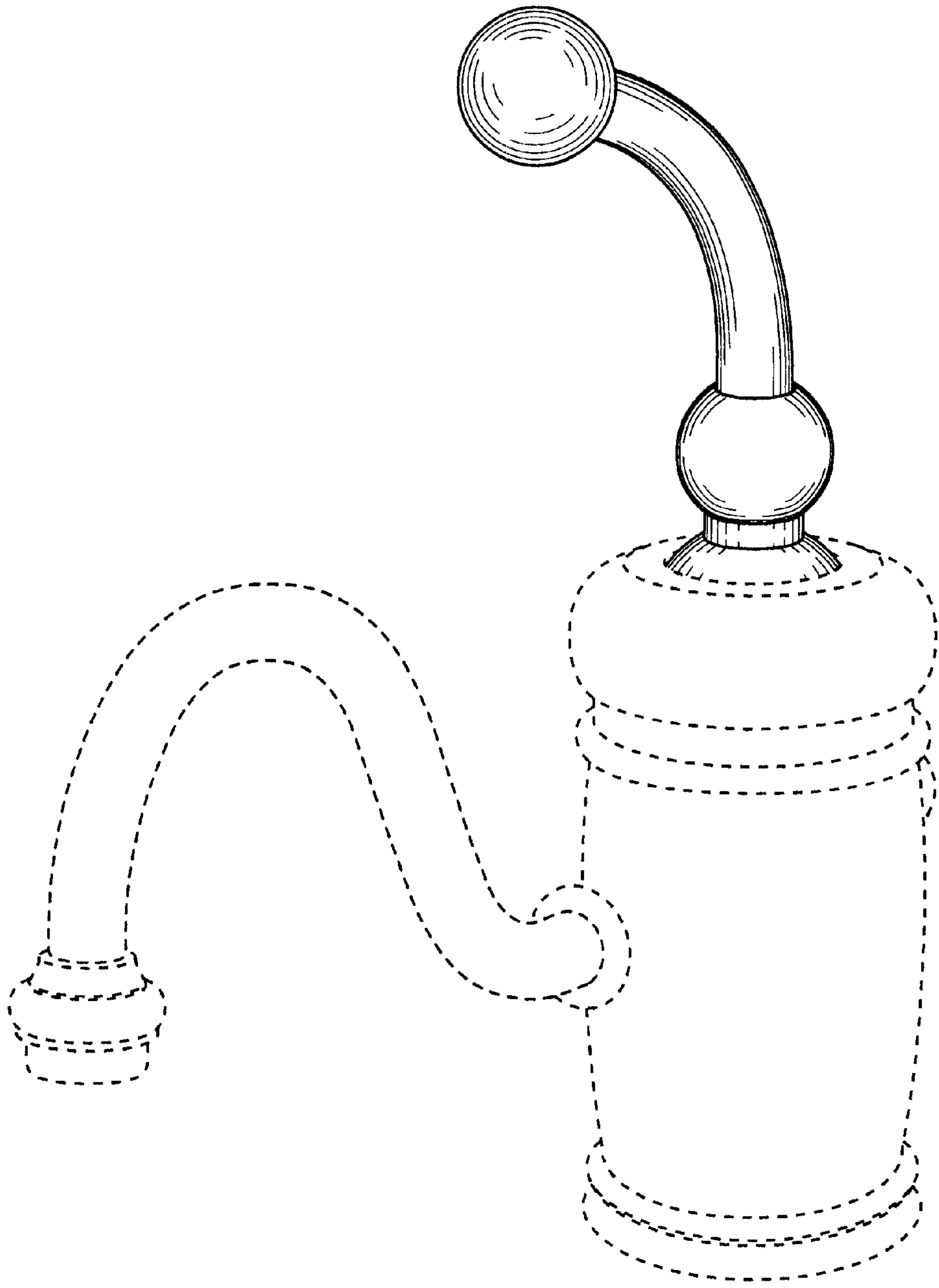


FIG. 1

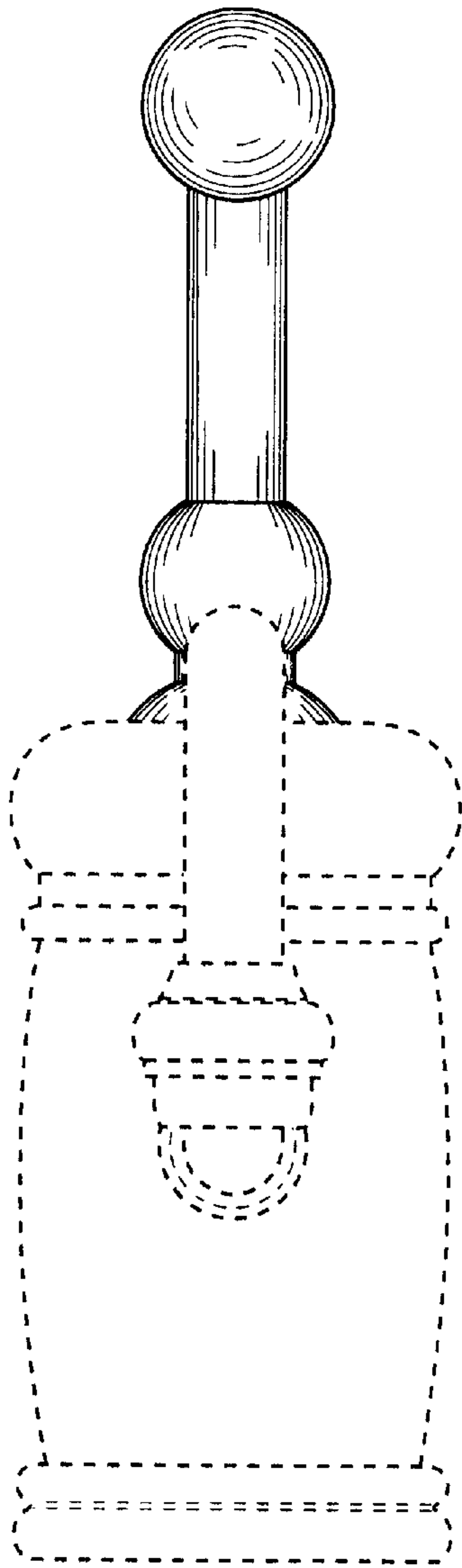


FIG. 2

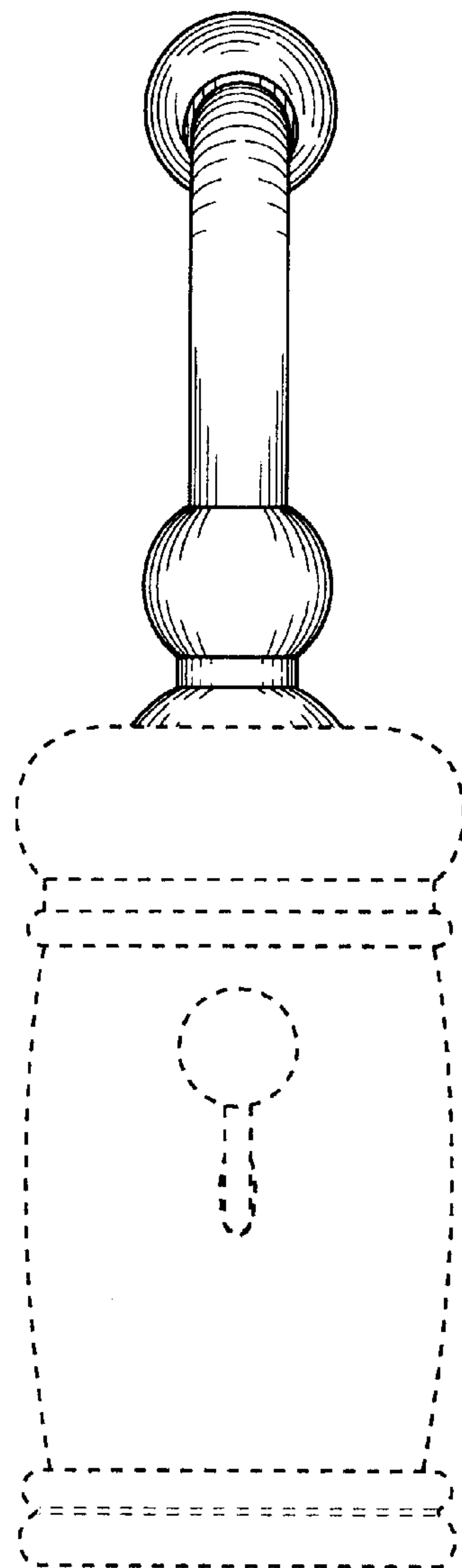


FIG. 3

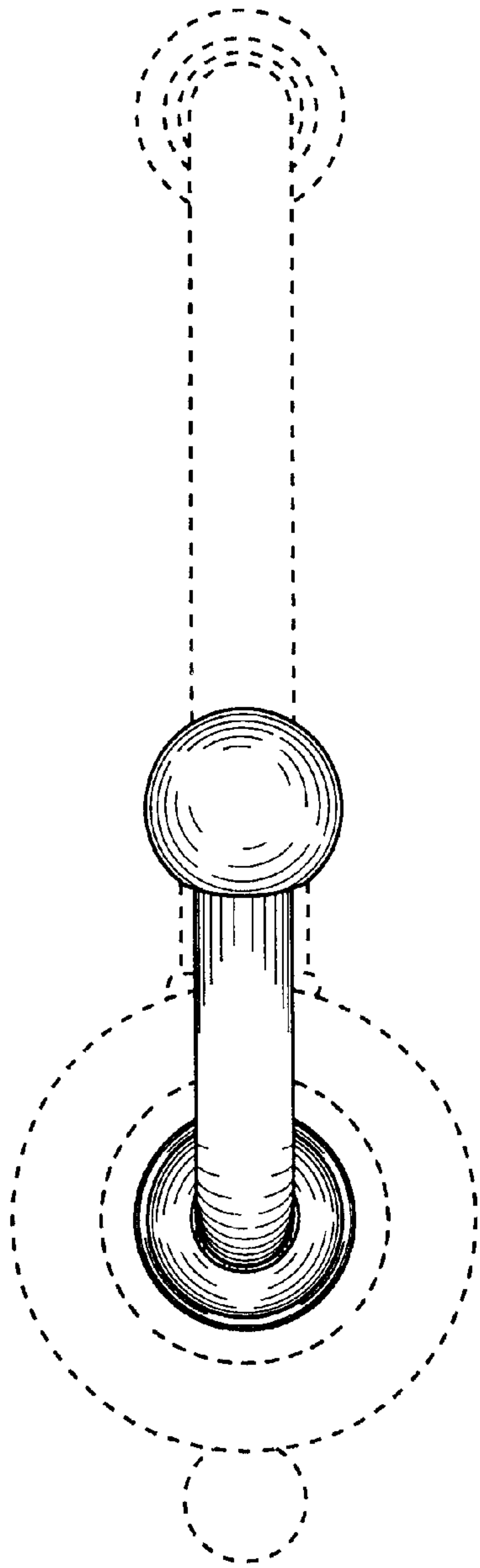


FIG. 4

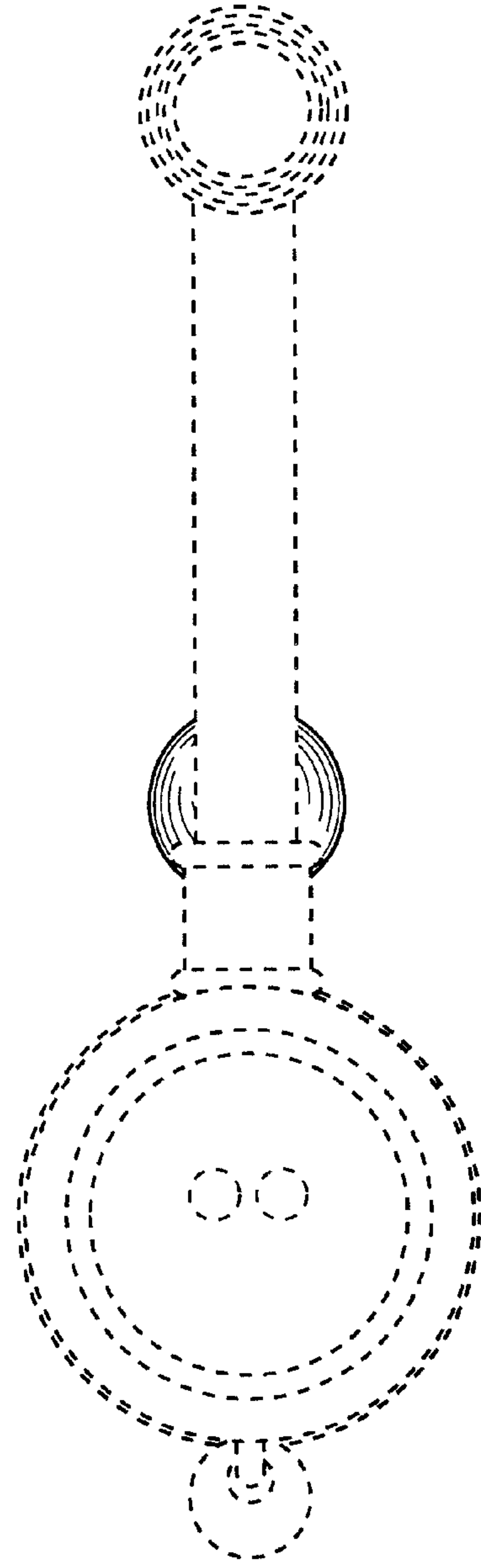


FIG. 5

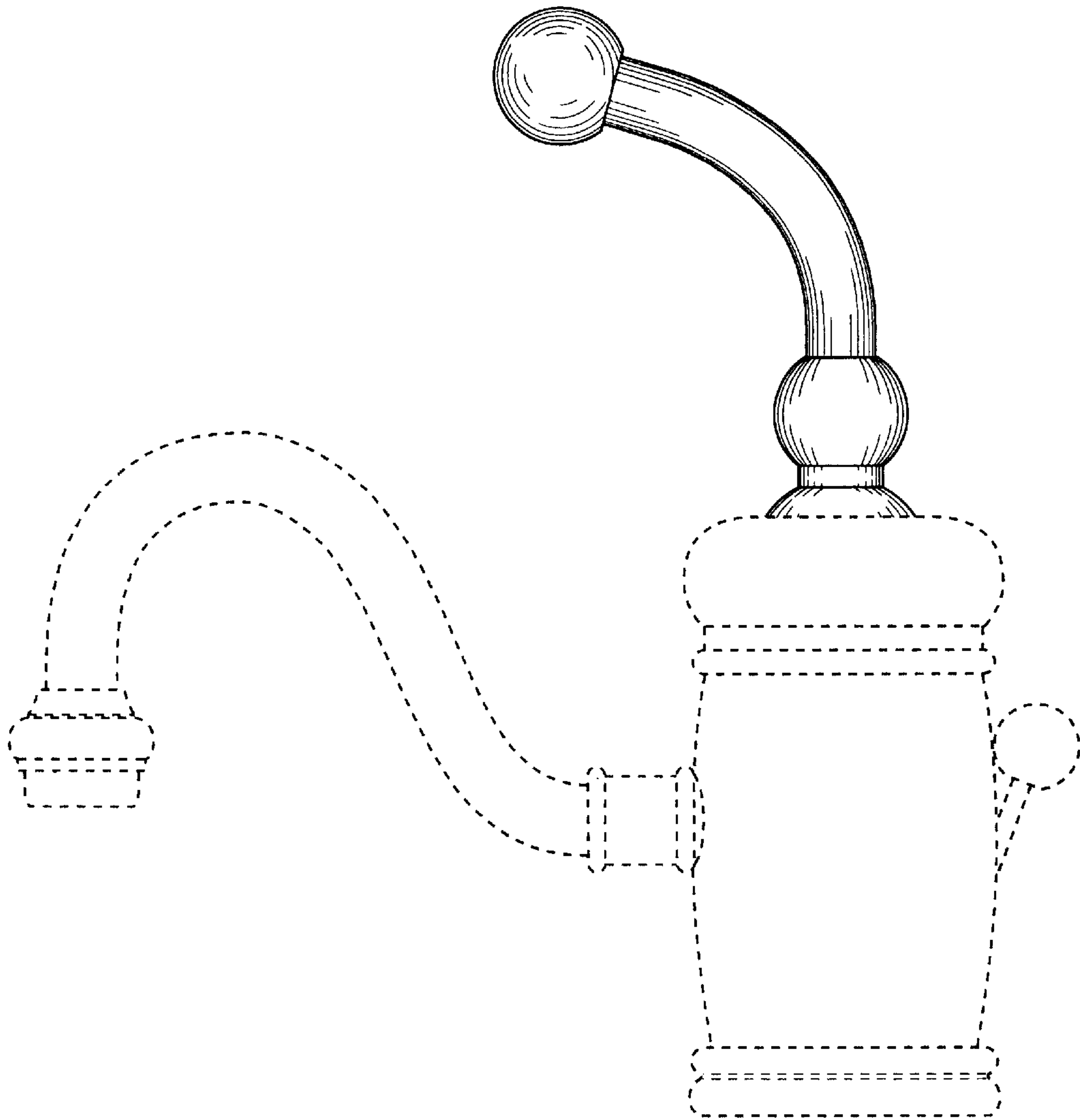


FIG. 6