



US00D473932S

(12) **United States Design Patent** (10) **Patent No.:** **US D473,932 S**
Caplow (45) **Date of Patent:** **** Apr. 29, 2003**

(54) **HANDLE**

(75) Inventor: **Bradley R. Caplow**, Sherman Oaks, CA (US)

(73) Assignee: **Kallista, Inc.**, Kohler, WI (US)

(**) Term: **14 Years**

(21) Appl. No.: **29/149,623**

(22) Filed: **Oct. 12, 2001**

Related U.S. Application Data

(62) Division of application No. 29/103,072, filed on Apr. 7, 1999, now Pat. No. Des. 460,529.

(51) **LOC (7) Cl.** **23-01**

(52) **U.S. Cl.** **D23/252**

(58) **Field of Search** D23/238-243,
D23/249-254; D8/300-312, 350-353, DIG. 2;
16/110.1, 631

(56) **References Cited**

U.S. PATENT DOCUMENTS

D455,196 S * 4/2002 Caplow D23/249
D460,529 S * 7/2002 Caplow D23/252
D461,536 S * 8/2002 Singtoroj D23/252

OTHER PUBLICATIONS

A WICO ad showing the "Hebelgriff" faucet handle, undated.
1987 Auburn ad showing #2001 faucet handle.

An Eljer ad showing acrylic lever handles, undated.

A Gerber ad showing lever handles, undated.

* cited by examiner

Primary Examiner—Louis S. Zarfes

Assistant Examiner—Gregory Andoll

(74) *Attorney, Agent, or Firm*—Quarles & Brady LLP

(57) **CLAIM**

The ornamental design for a handle, as shown and described.

DESCRIPTION

In a preferred embodiment, the nature of this product is as a plumbing handle primarily useful for controlling a rotatable valve stem.

FIG. 1 is a left, top, front perspective view of a handle embodying my new design;

FIG. 2 is a front elevational view thereof, the rear elevational view being a mirror image of the front elevational view shown;

FIG. 3 is a top plan view thereof;

FIG. 4 is a left side elevational view thereof; and,

FIG. 5 is a right side elevational view thereof.

The broken line representation of a mounting environment in FIG. 1 is for the purpose of illustration only, and forms no part of the claimed design.

1 Claim, 2 Drawing Sheets

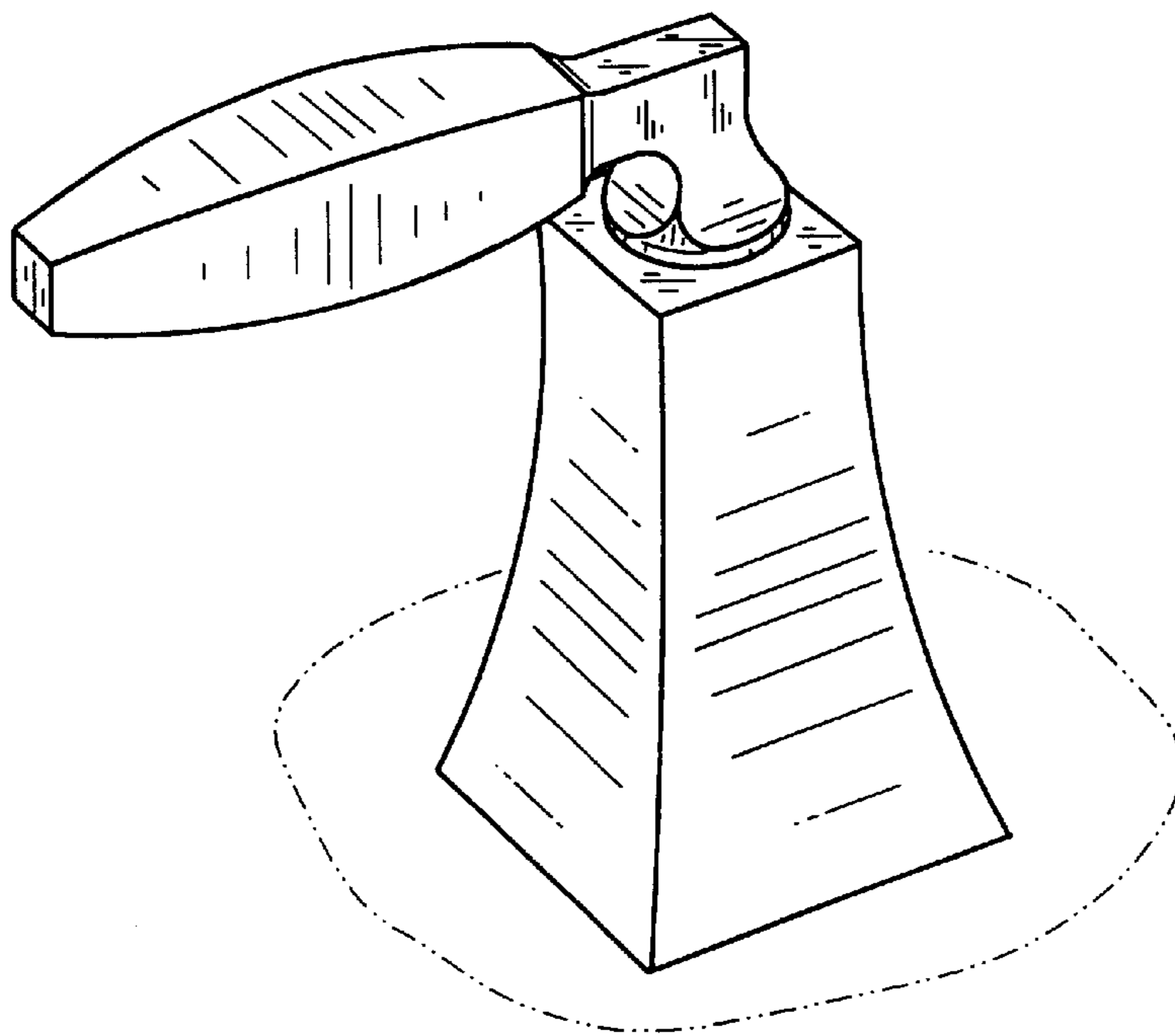


FIG. 1

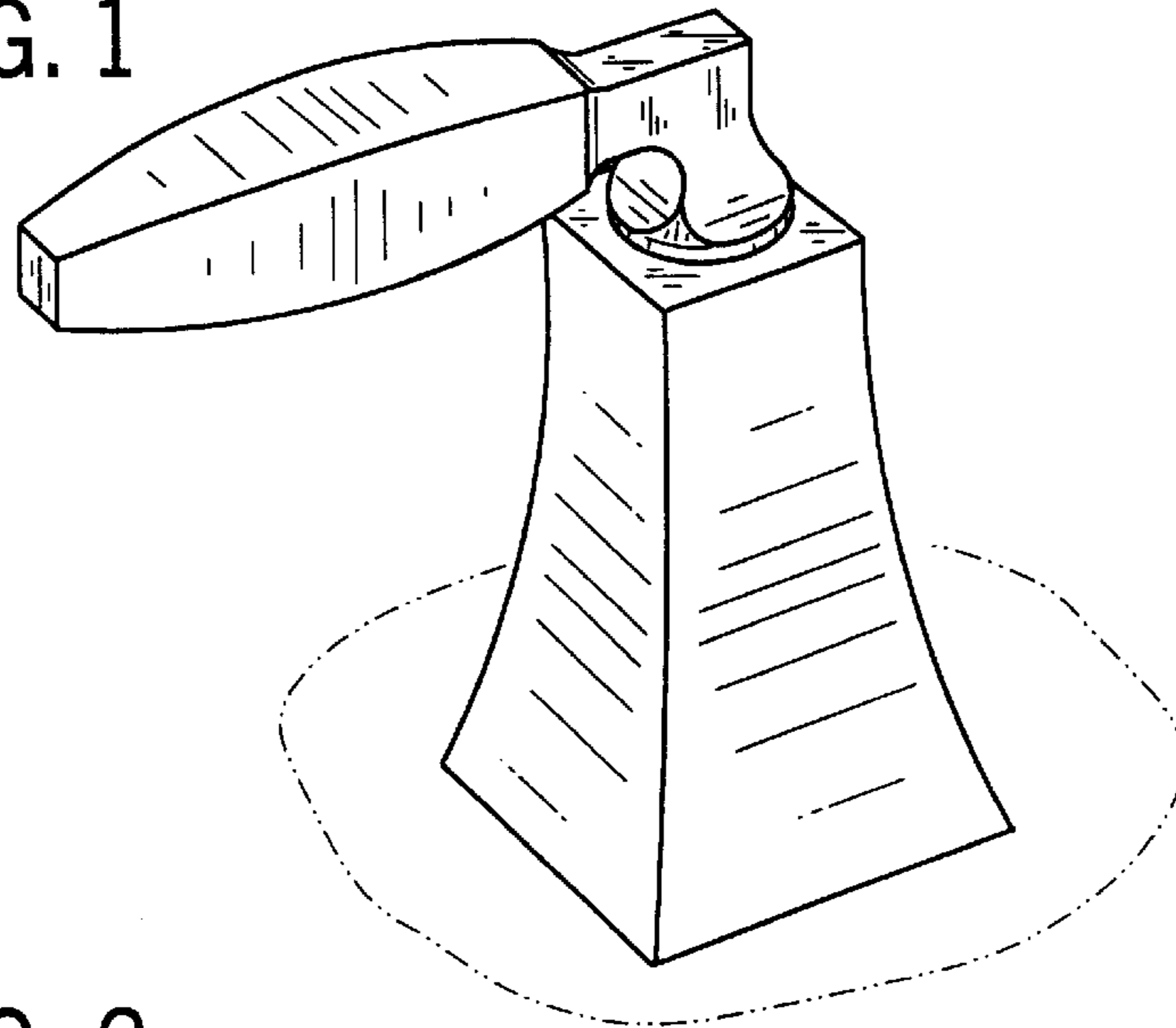


FIG. 2

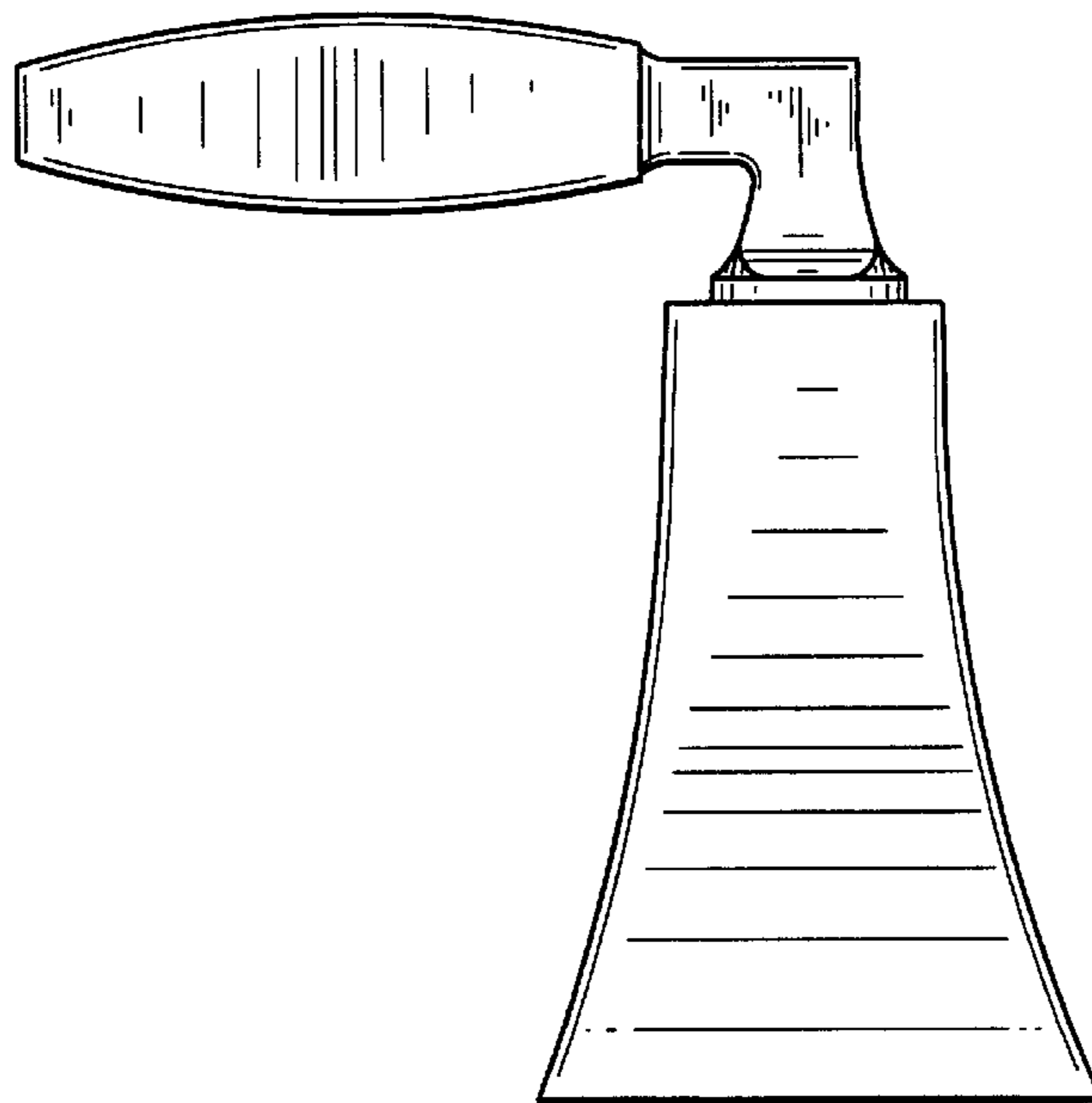


FIG. 3

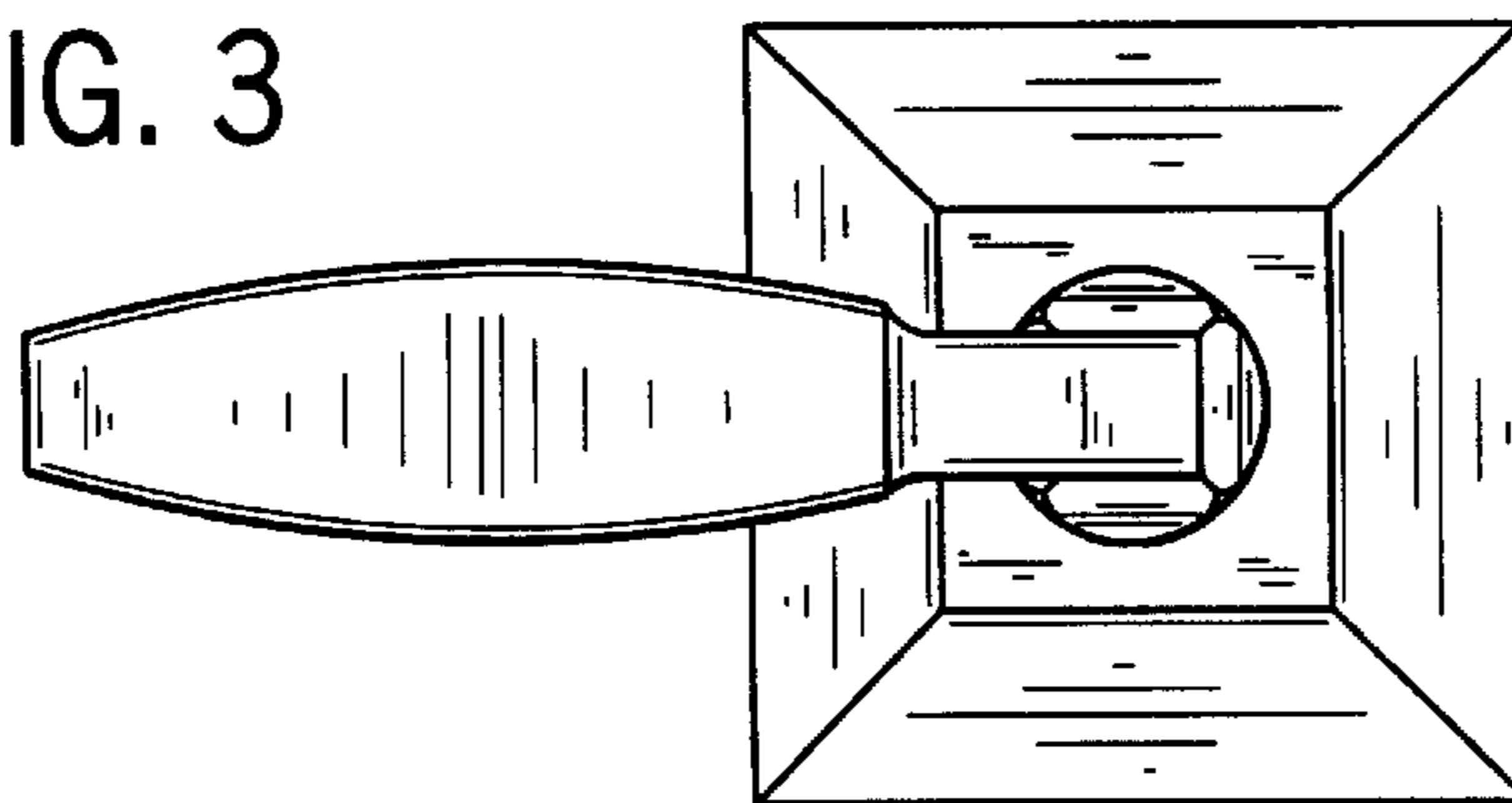


FIG. 4

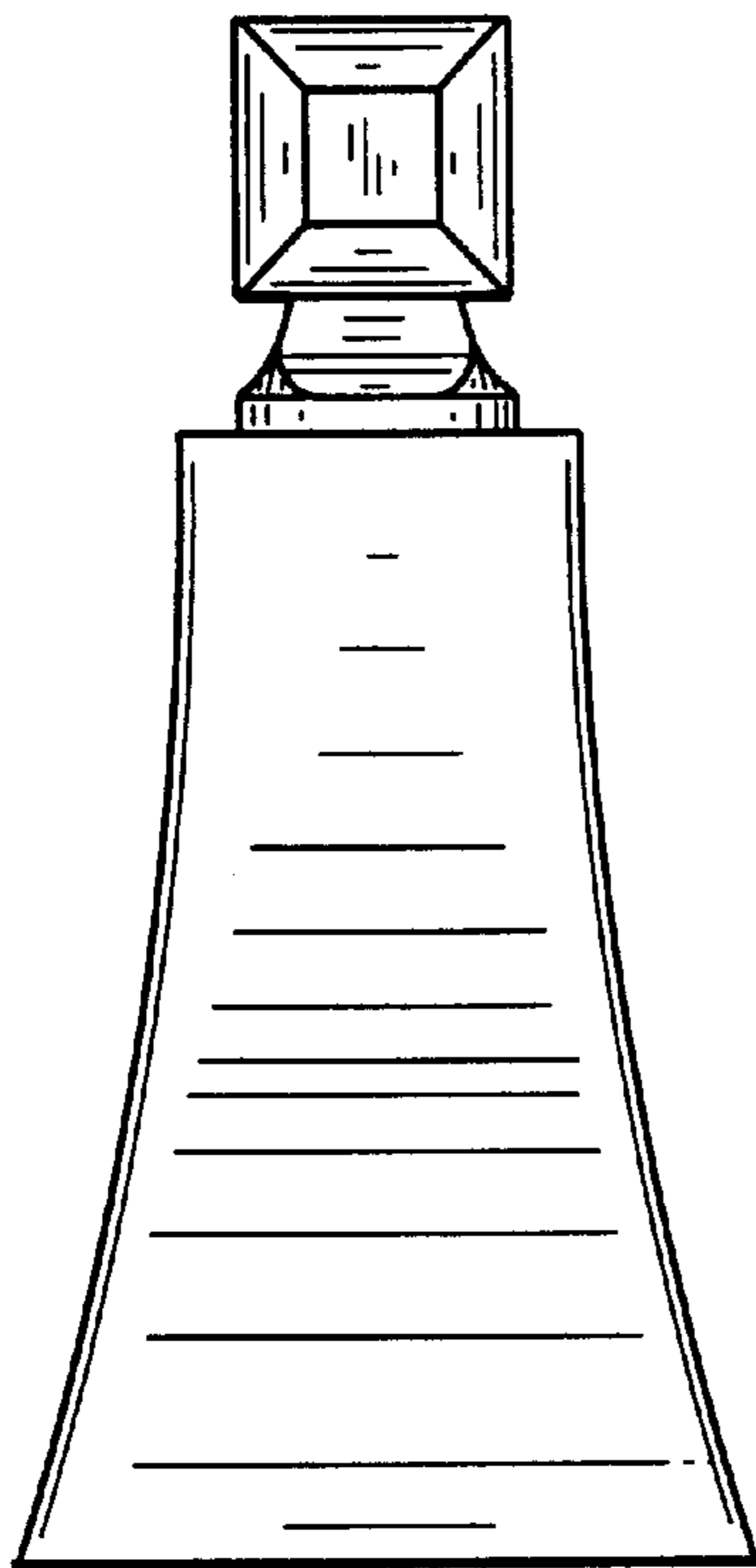


FIG. 5

