



US00D473930S

(12) **United States Design Patent**
Warshawsky et al.

(10) **Patent No.:** **US D473,930 S**

(45) **Date of Patent:** **** Apr. 29, 2003**

(54) **HANDSPRAY FAUCET SET**

(75) Inventors: **Jerome Warshawsky**, Hewlett Harbor, NY (US); **Ari Warshawsky**, New York, NY (US); **Michael Rohlfs**, West Babylon, NY (US)

(73) Assignee: **I.W. Industries, Inc.**, Melville, NY (US)

(**) Term: **14 Years**

(21) Appl. No.: **29/166,234**

(22) Filed: **Aug. 26, 2002**

(51) **LOC (7) Cl.** **23-01**

(52) **U.S. Cl.** **D23/238**

(58) **Field of Search** **D23/238-243, D23/250-257; 4/675-678; 137/801**

(56) **References Cited**

U.S. PATENT DOCUMENTS

D313,836 S * 1/1991 Knapp D23/238
D324,905 S * 3/1992 Chretien D23/238

D368,764 S * 4/1996 Hill et al. D23/238
D385,619 S * 10/1997 Ko D23/238
D426,621 S * 6/2000 Biller et al. D23/252

* cited by examiner

Primary Examiner—Louis S. Zarfaz

Assistant Examiner—Gregory Andoll

(74) *Attorney, Agent, or Firm*—Alfred M. Walker

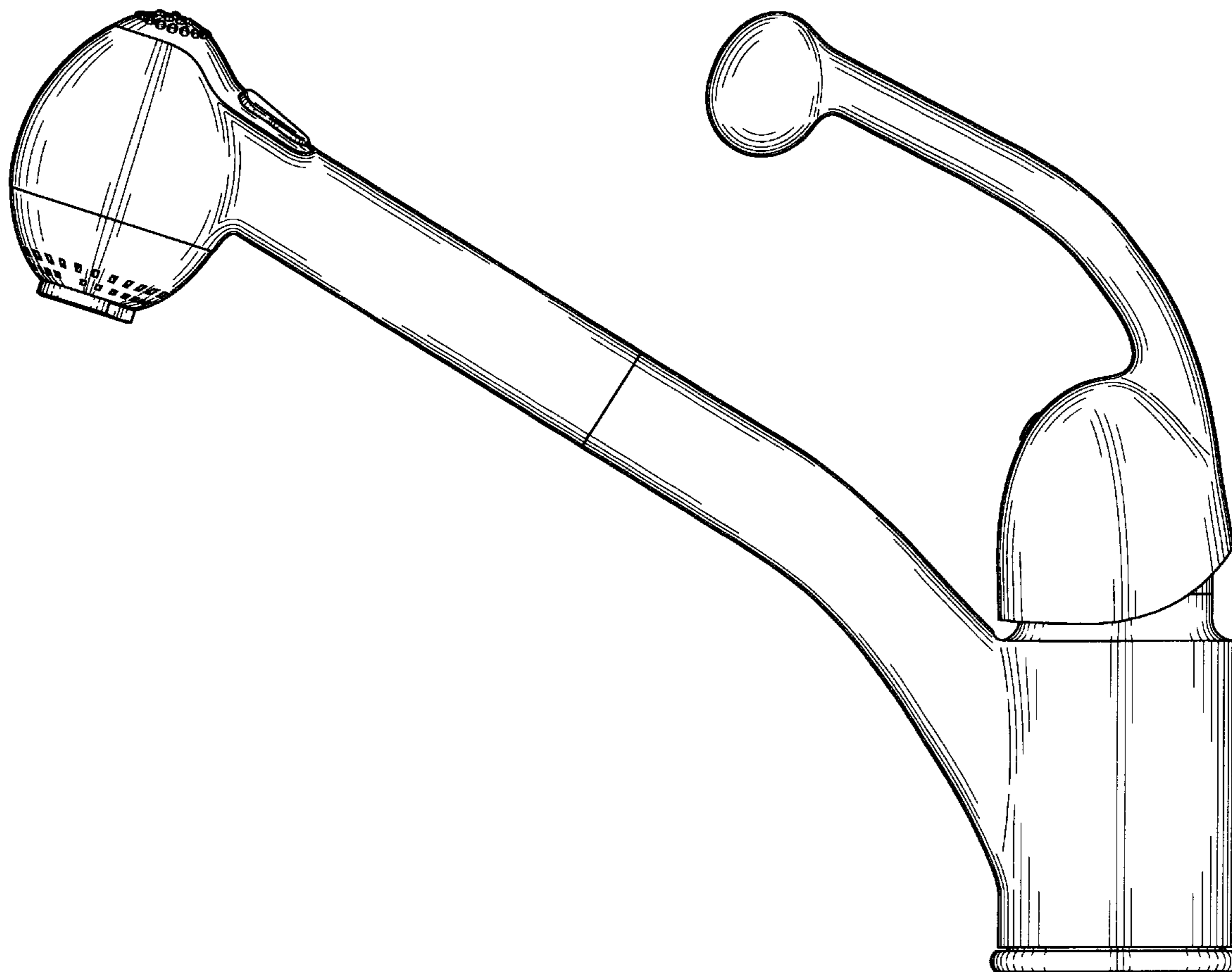
(57) **CLAIM**

The ornamental design for a handspray faucet set, as shown and described.

DESCRIPTION

FIG. 1 is a perspective view of a handspray faucet set, showing our new design;
FIG. 2 is a rear elevation view thereof;
FIG. 3 is a front elevational view thereof;
FIG. 4 is a top plan view thereof;
FIG. 5 is a bottom view thereof; and,
FIG. 6 is a right side elevational view thereof, the left side being a mirror image thereof.

1 Claim, 4 Drawing Sheets



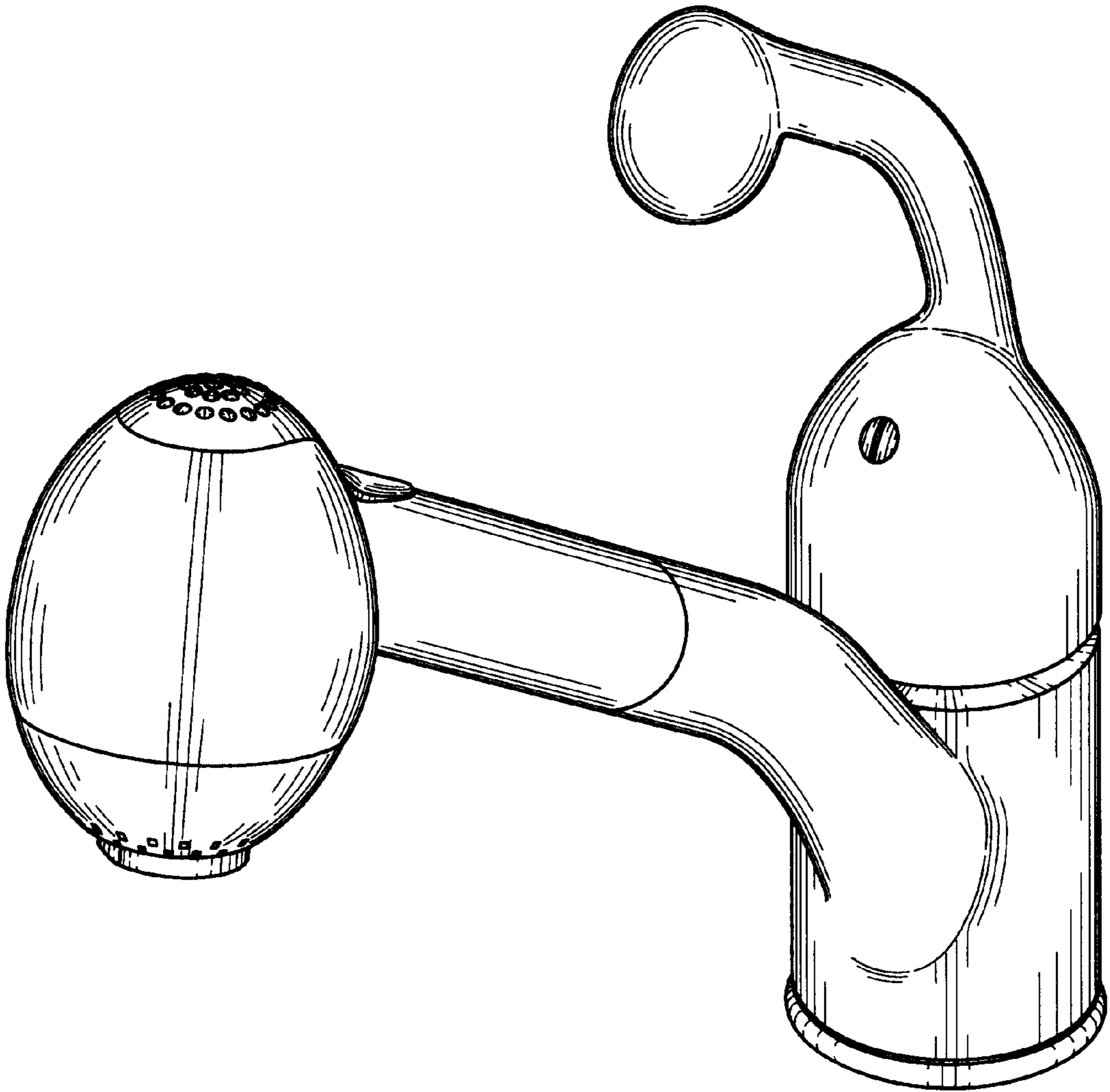


FIG. 1

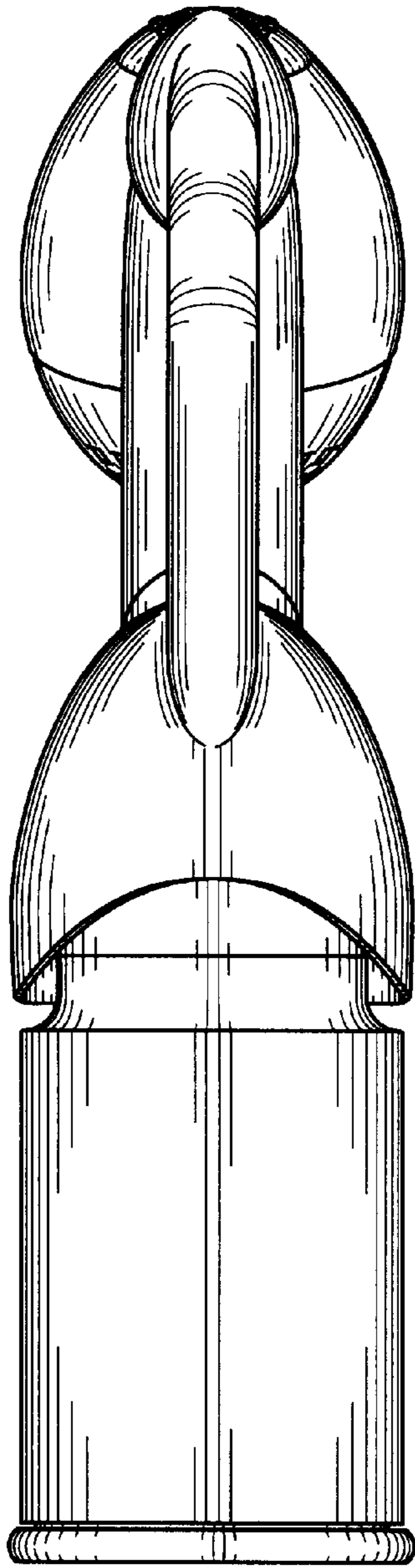


FIG. 2

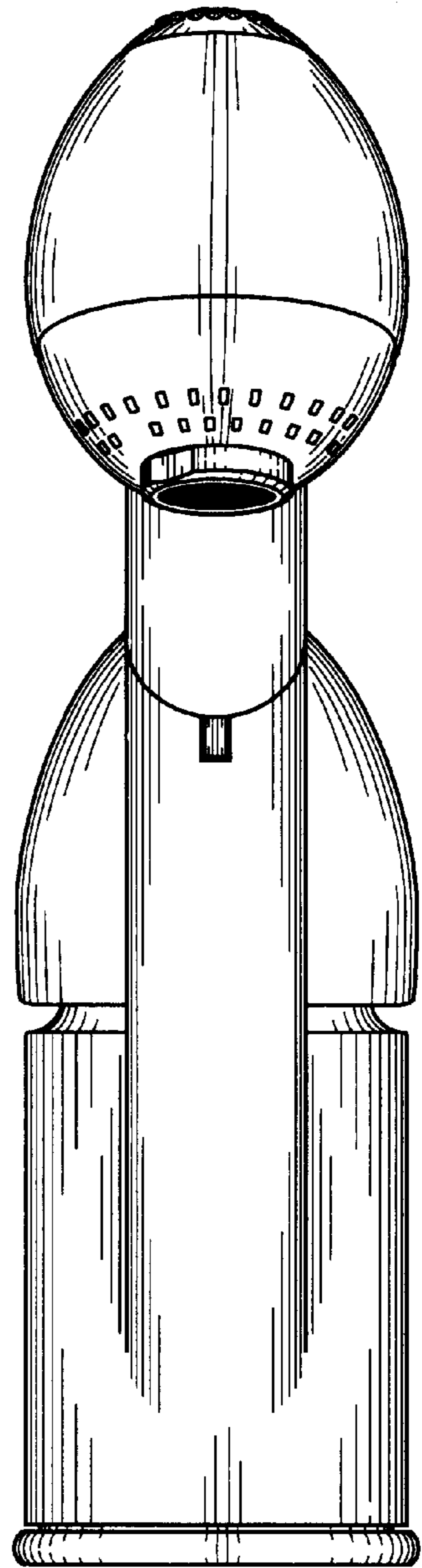


FIG. 3

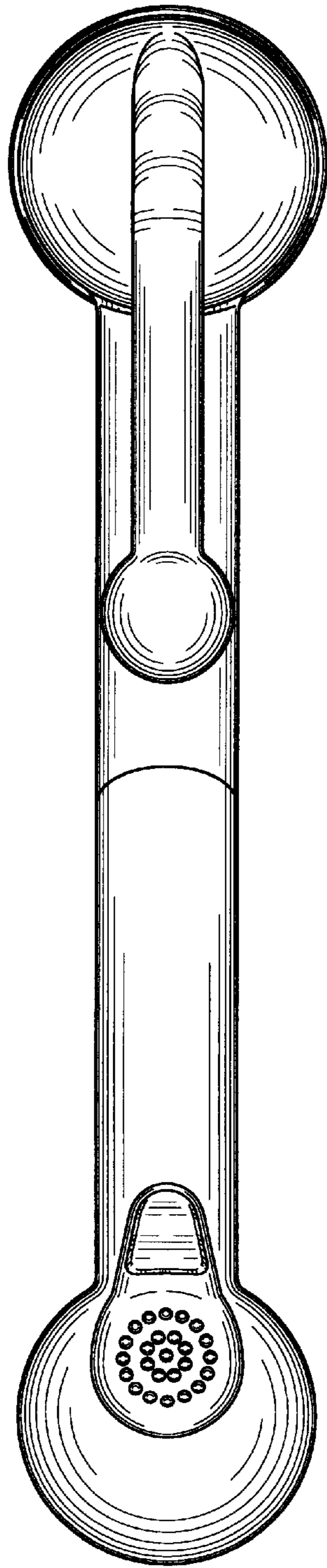


FIG. 4

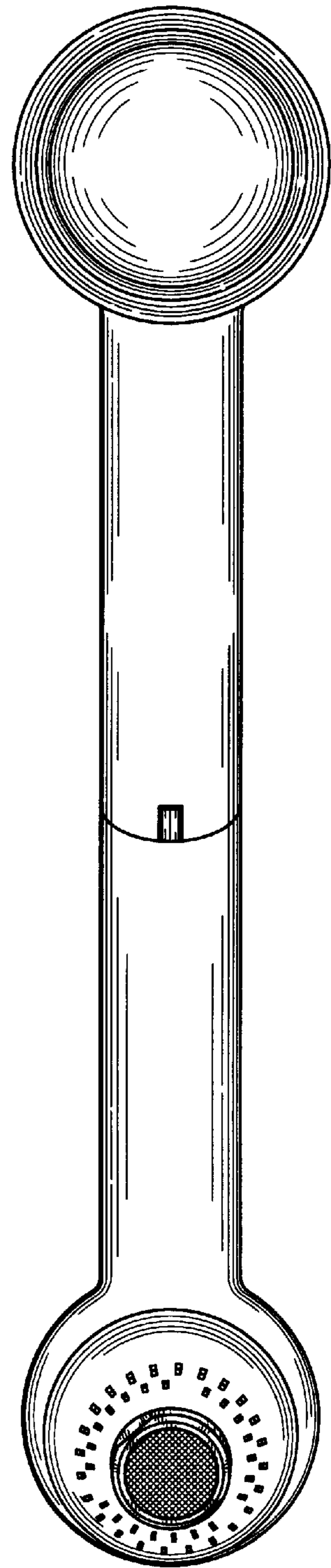


FIG. 5

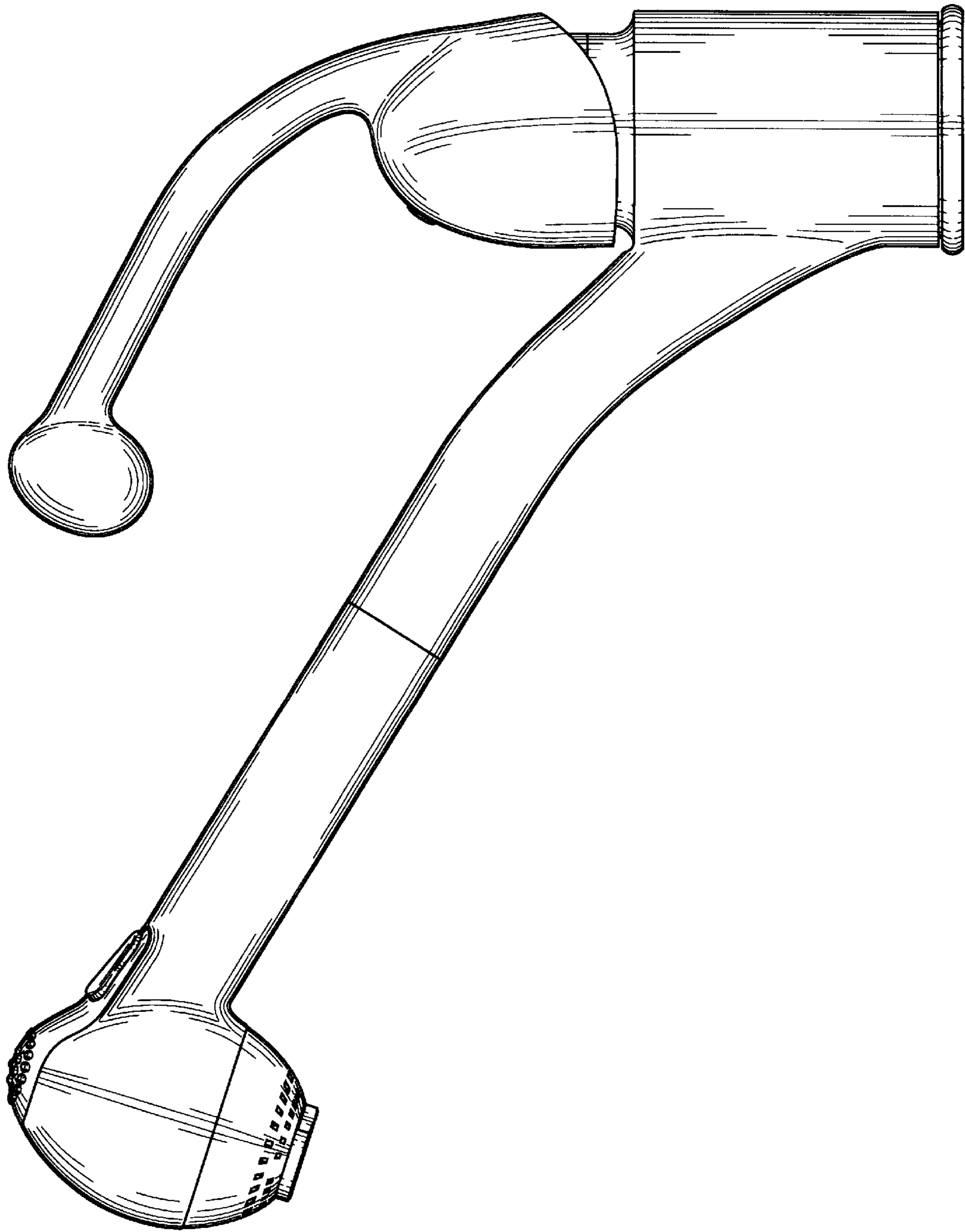


FIG. 6