



US00D473928S

(12) **United States Design Patent**
Lord et al.

(10) **Patent No.:** **US D473,928 S**

(45) **Date of Patent:** **** Apr. 29, 2003**

(54) **FAUCET BODY**

(75) Inventors: **Judd A. Lord**, Carmel, IN (US);
Anthony Spangler, Greensburg, IN (US)

(73) Assignee: **Masco Corporation of Indiana**, Indianapolis, IN (US)

(**) Term: **14 Years**

(21) Appl. No.: **29/161,473**

(22) Filed: **May 30, 2002**

Related U.S. Application Data

(62) Division of application No. 29/140,919, filed on Apr. 25, 2001, now Pat. No. Des. 464,113.

(51) **LOC (7) Cl.** **23-01**

(52) **U.S. Cl.** **D23/238**

(58) **Field of Search** D23/238-257;
4/675-678; 137/801

(56) **References Cited**

U.S. PATENT DOCUMENTS

D379,849 S * 6/1997 Hill et al. D23/255

D400,646 S * 11/1998 Hill et al. D23/241
D437,031 S * 1/2001 Nguyen et al. D23/238
D437,032 S * 1/2001 Ko D23/241

* cited by examiner

Primary Examiner—Louis S. Zarfes

Assistant Examiner—Gregory Andoll

(74) *Attorney, Agent, or Firm*—Kwadjo Adusei-Poku;
Lloyd D. Doigan

(57) **CLAIM**

The ornamental design for a faucet body, as shown and described.

DESCRIPTION

FIG. 1 is a top rear perspective view of a faucet body, showing my new design;

FIG. 2 is a front elevational view thereof;

FIG. 3 is a rear elevational view thereof;

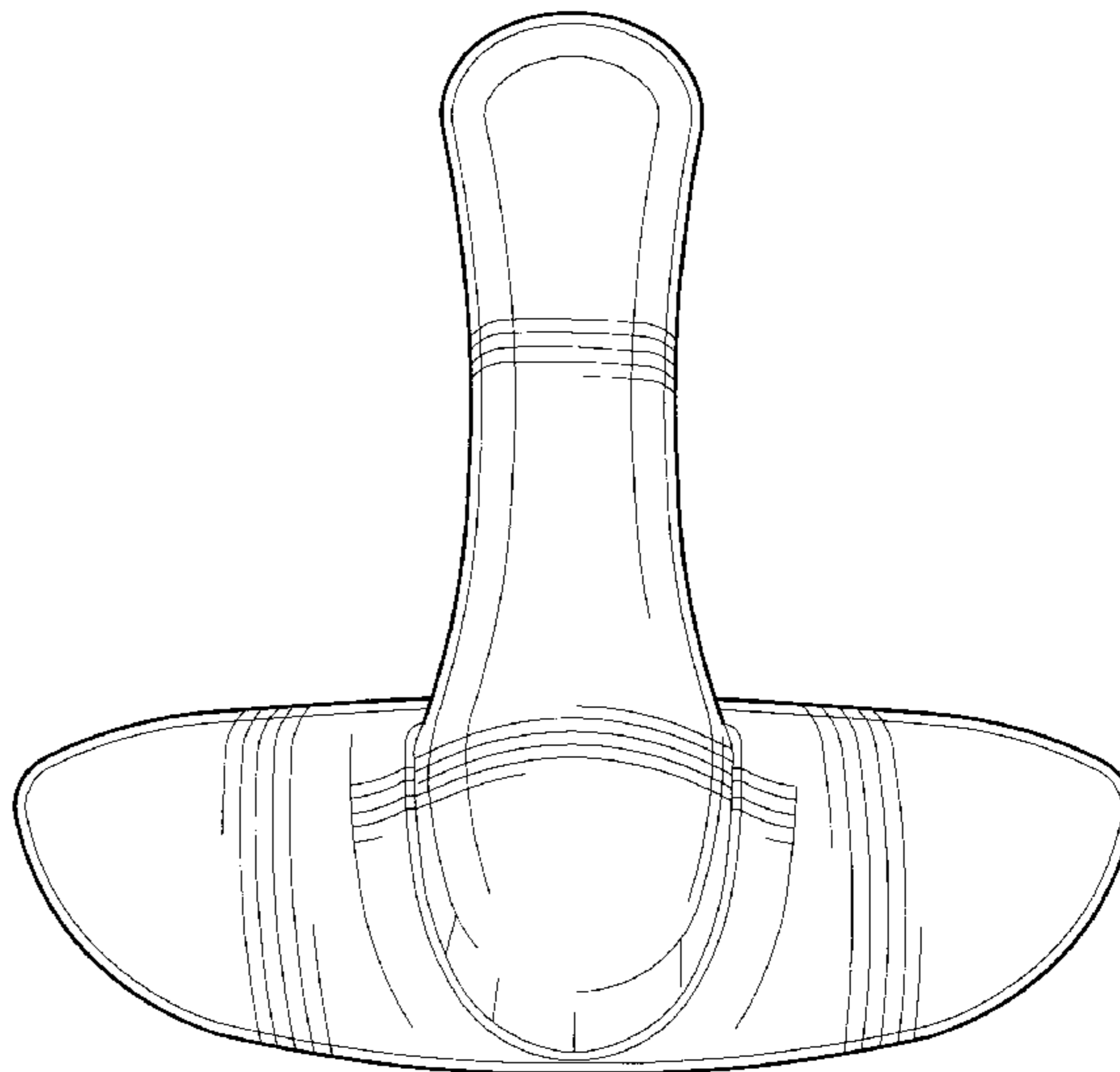
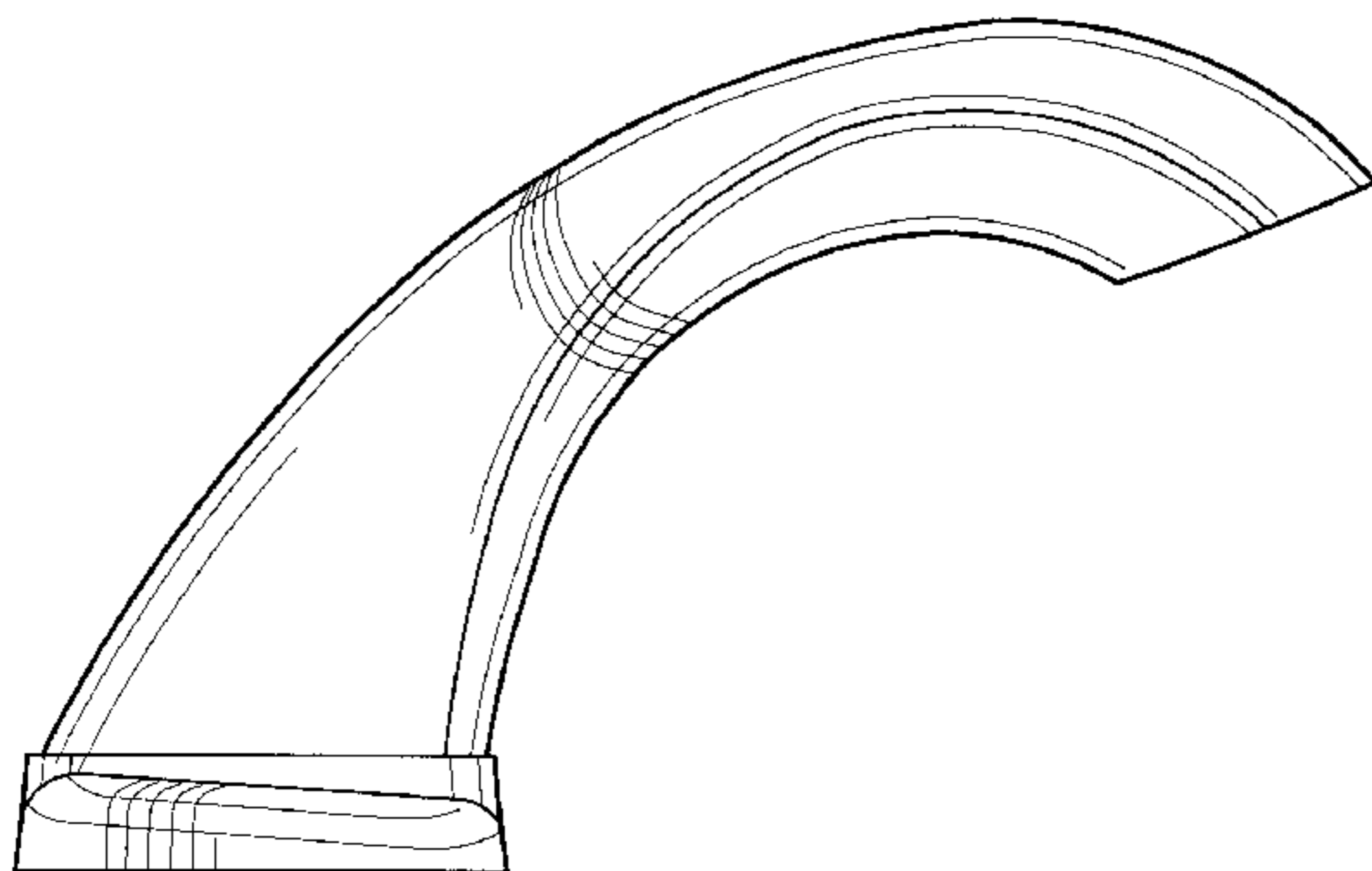
FIG. 4 is a right side view thereof;

FIG. 5 is a left side view thereof;

FIG. 6 is a top plan view thereof; and,

FIG. 7 is a bottom plan view thereof.

1 Claim, 3 Drawing Sheets



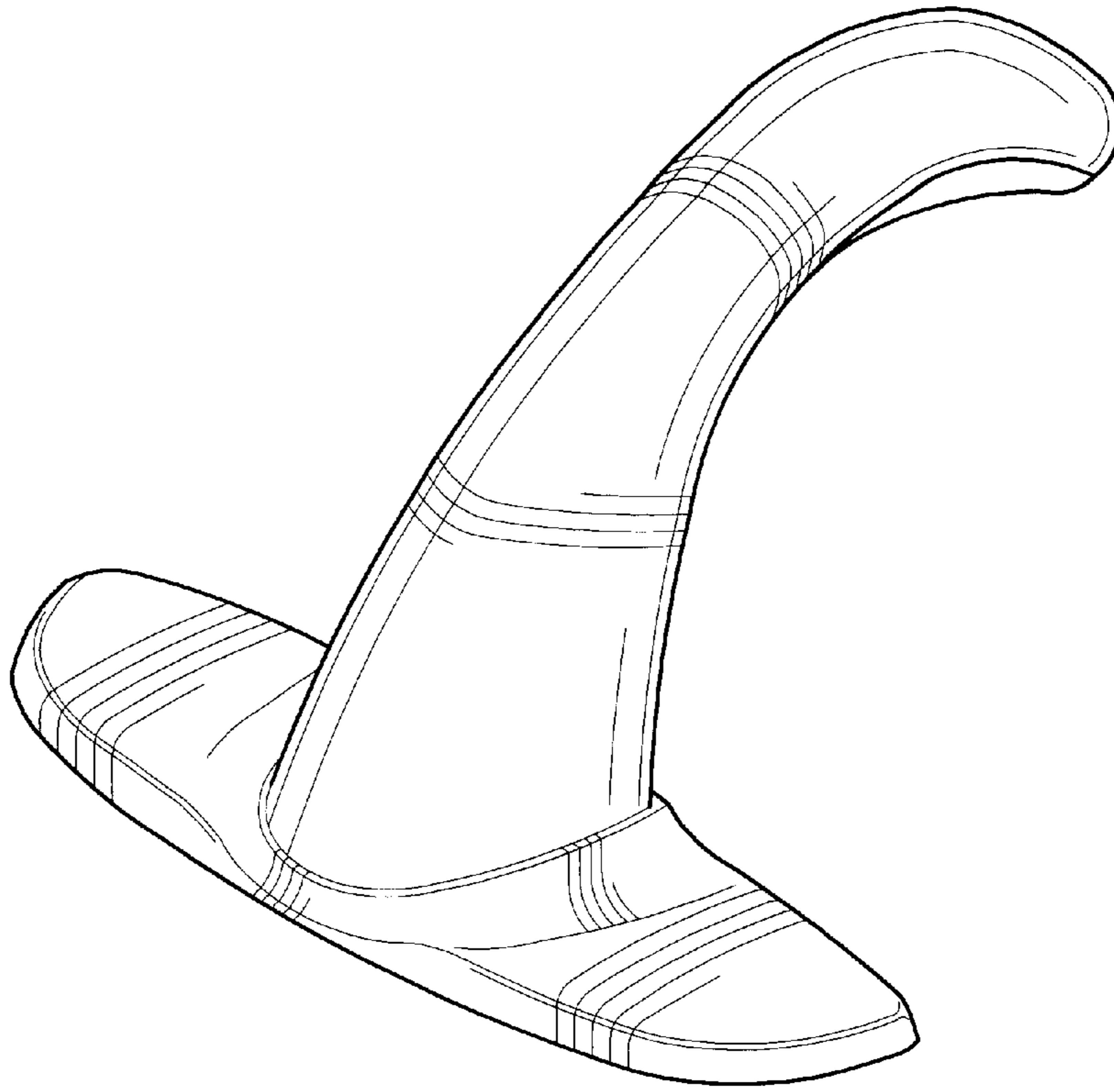


Fig-1

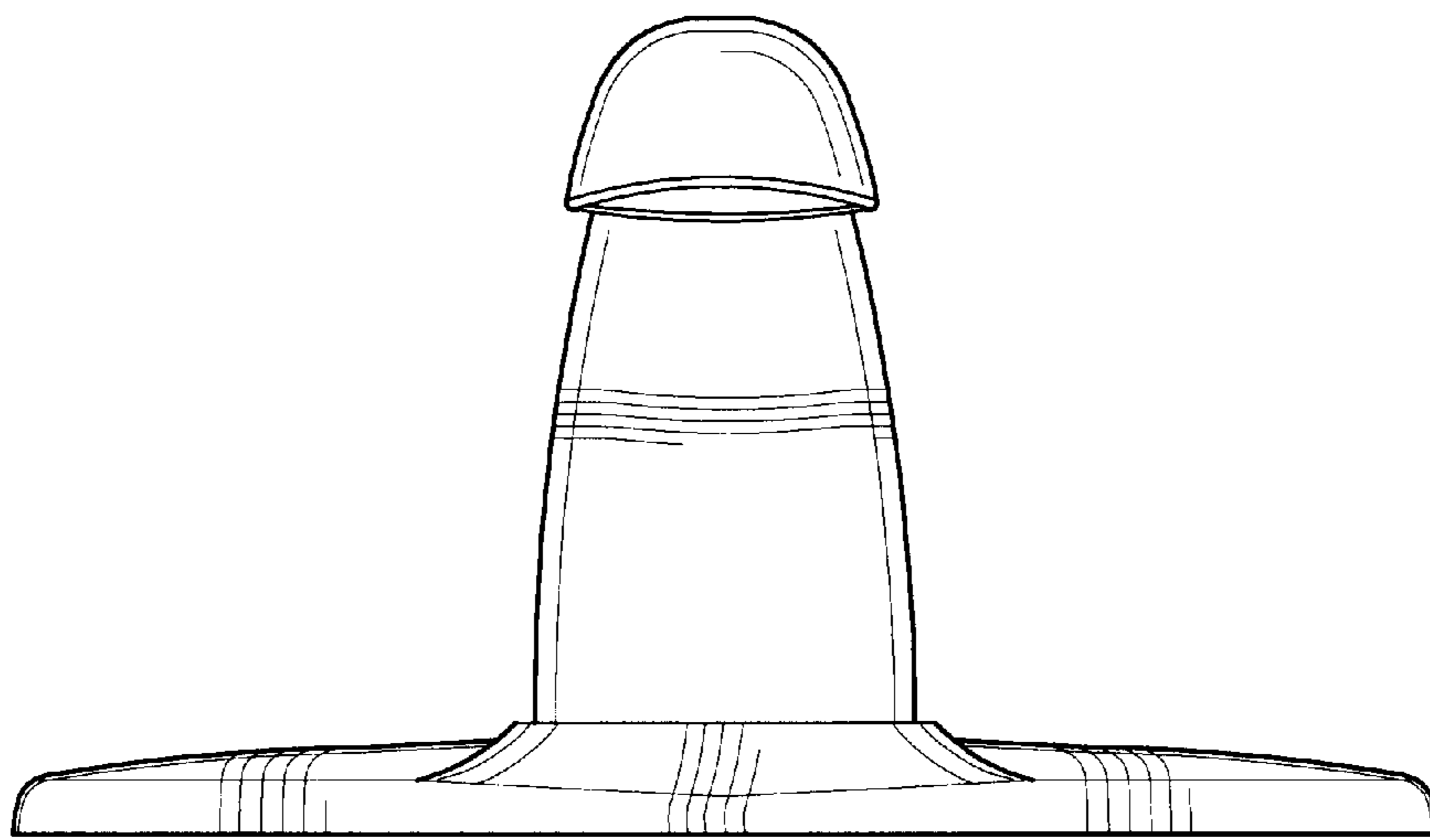


Fig-2

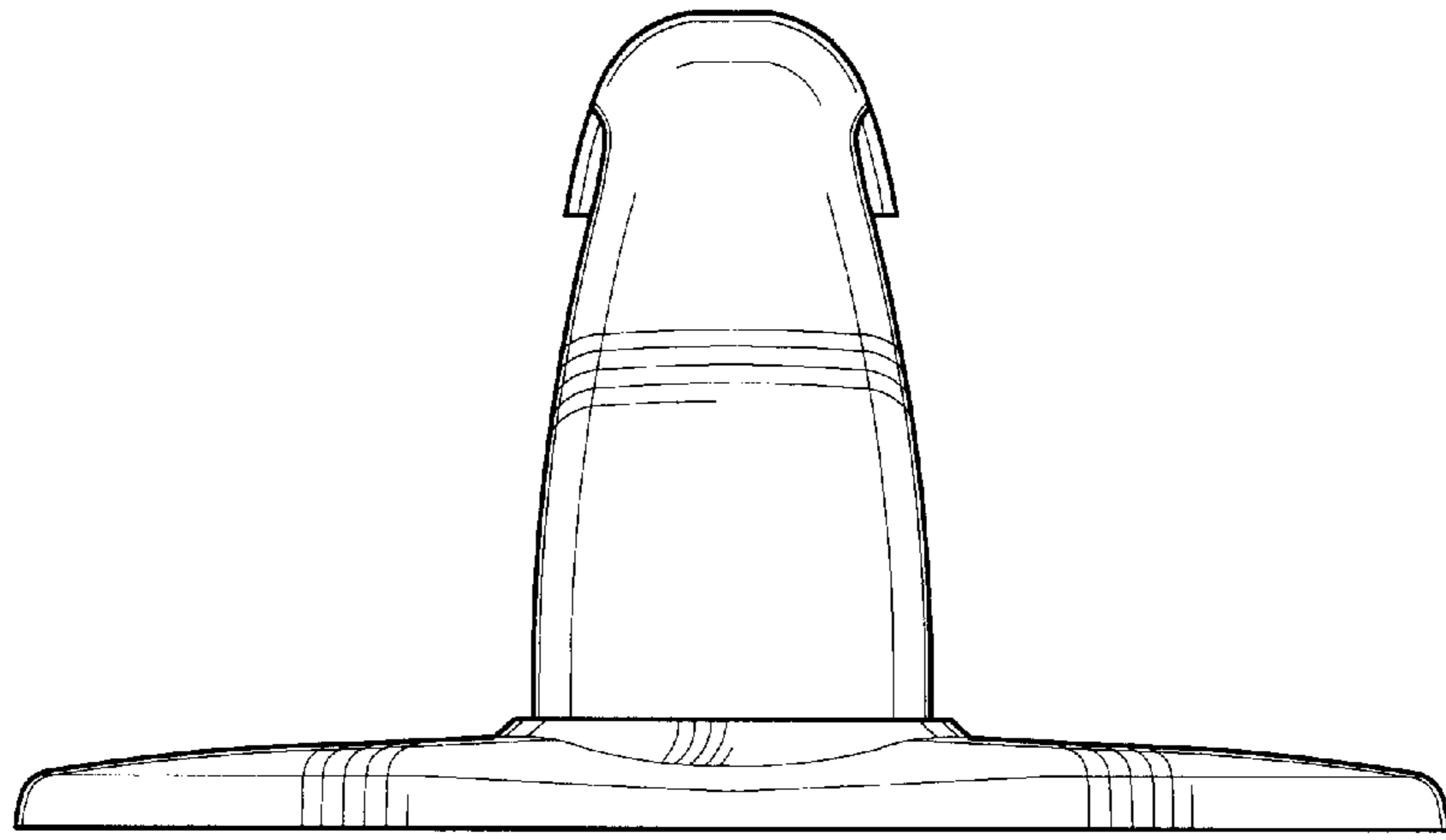


Fig-3

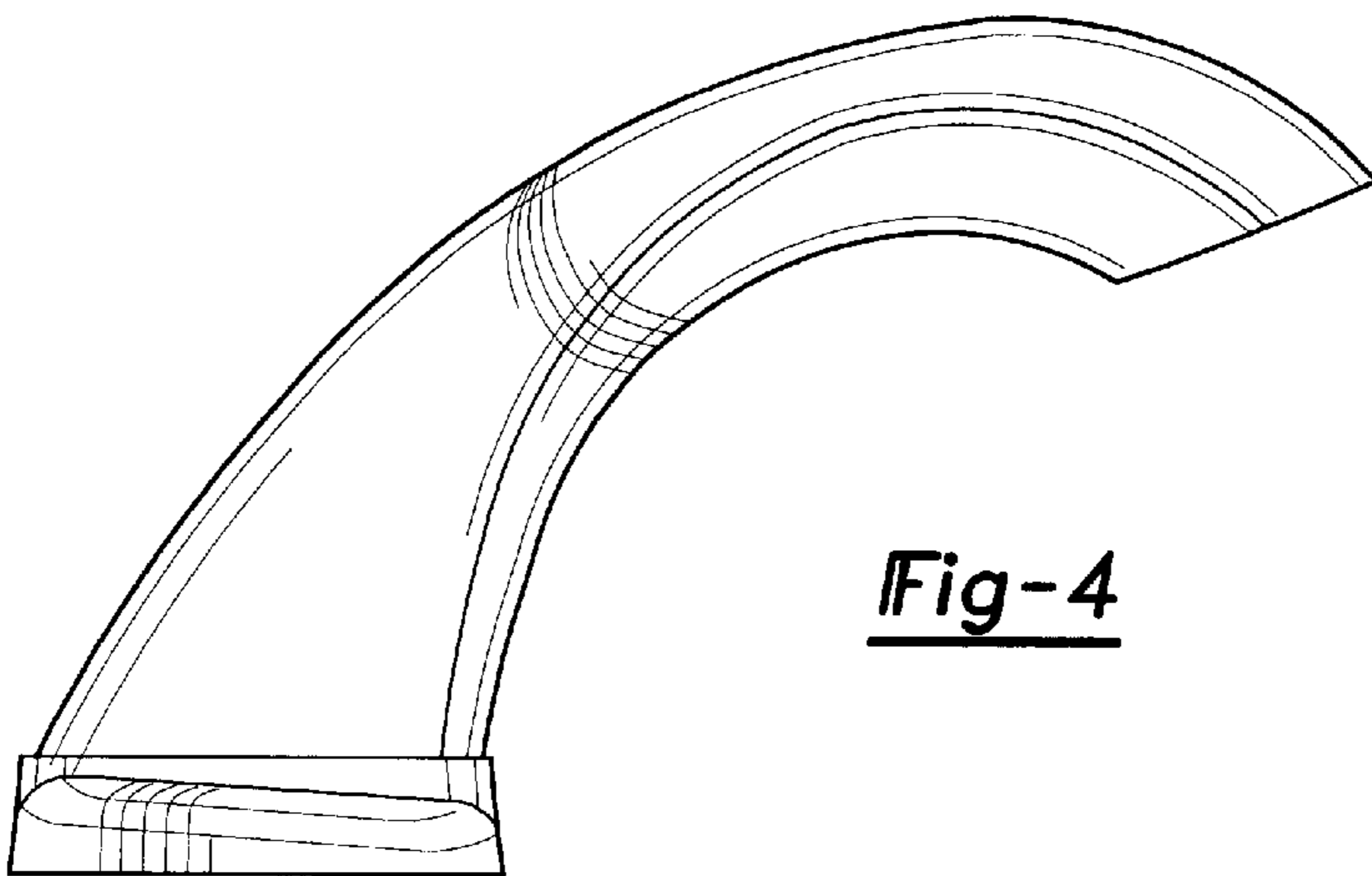


Fig-4

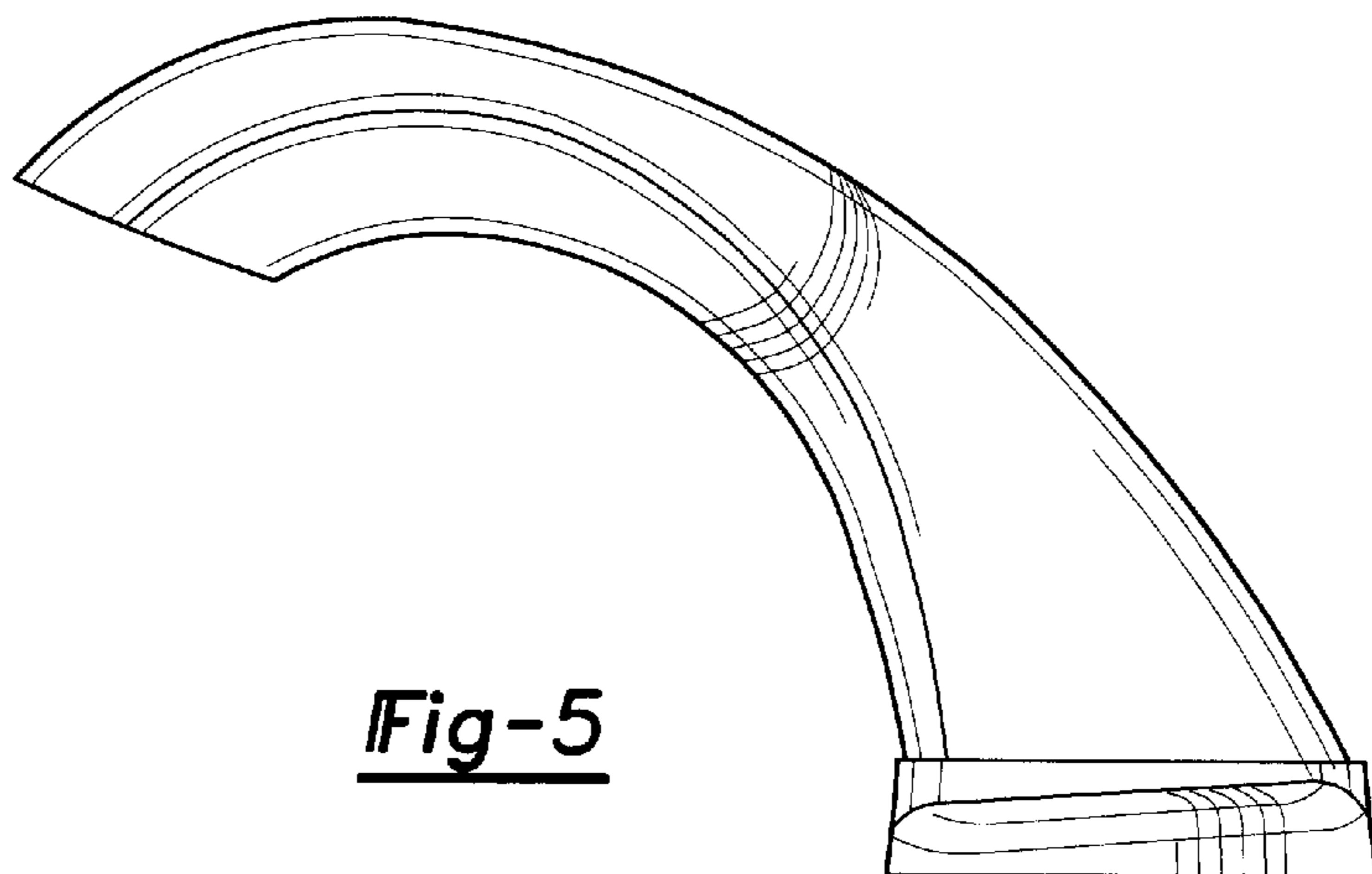


Fig-5

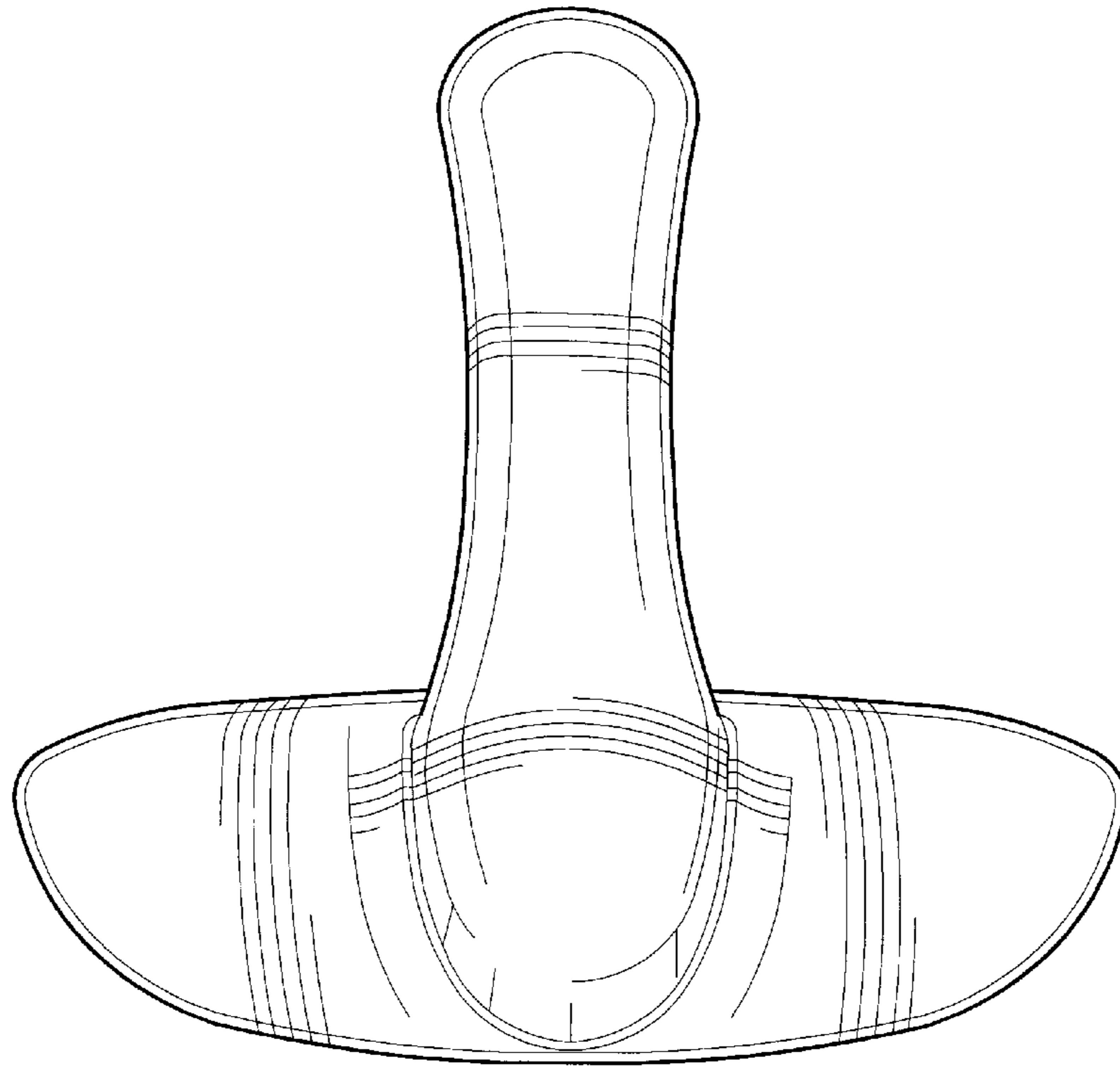


Fig-6

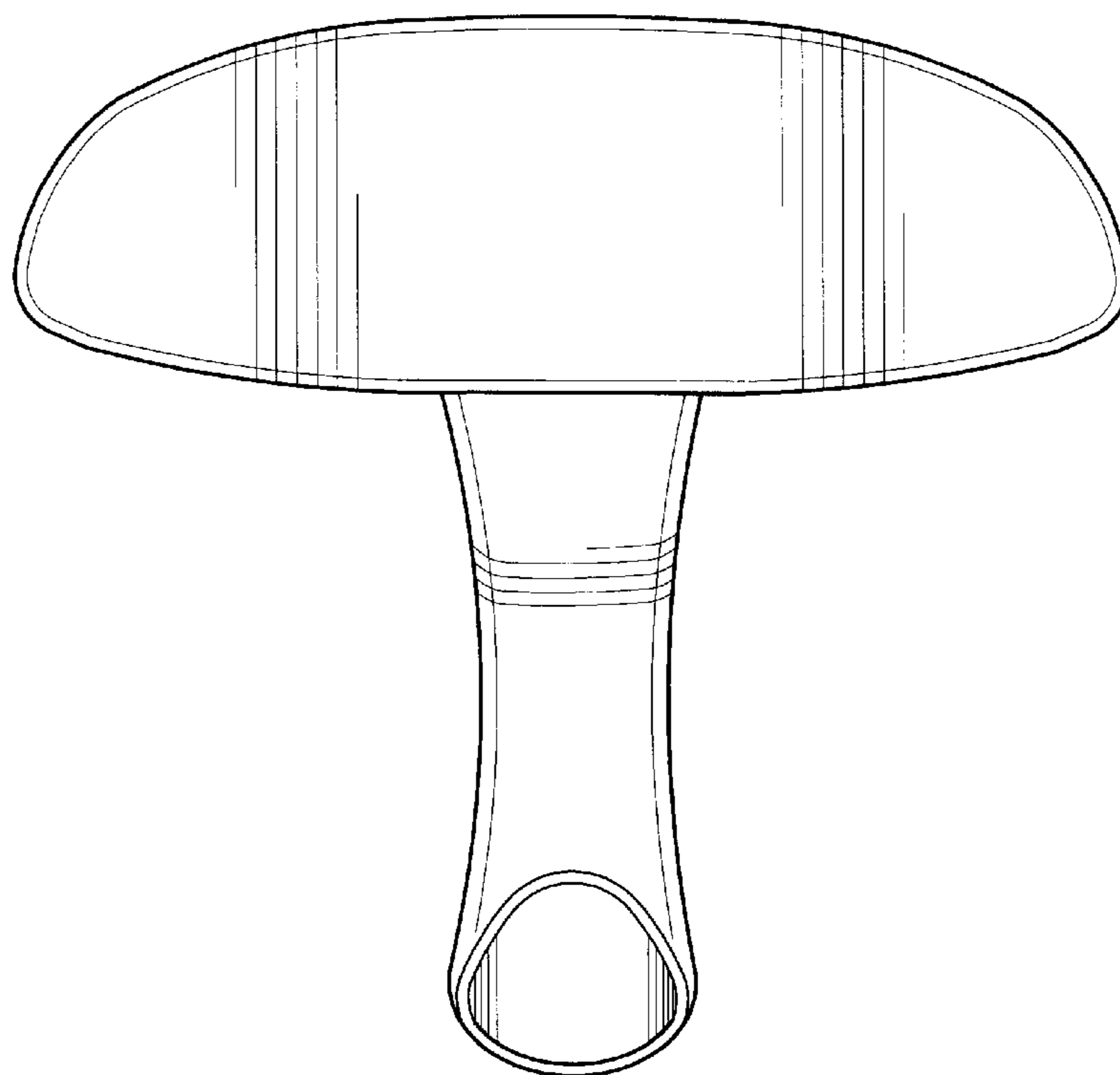


Fig-7