



US00D473926S

(12) **United States Design Patent**
Crockford

(10) **Patent No.:** **US D473,926 S**

(45) **Date of Patent:** **** Apr. 29, 2003**

(54) **SIPHON**

3,785,493 A * 1/1974 Harding 210/169
5,269,338 A * 12/1993 Figas 210/169

(76) **Inventor:** **Steven John Crockford**, 5 Scannell Street, Havelock North (NZ)

* cited by examiner

(**) **Term:** **14 Years**

Primary Examiner—Robin V. Taylor
(74) *Attorney, Agent, or Firm*—Klauber & Jackson

(21) **Appl. No.:** **29/157,640**

(22) **Filed:** **Mar. 22, 2002**

(57) **CLAIM**

The ornamental design for a siphon, as shown and described.

(30) **Foreign Application Priority Data**

Sep. 24, 2001 (NZ) 402021

DESCRIPTION

(51) **LOC (7) Cl.** **23-01**

(52) **U.S. Cl.** **D23/210; D23/200**

(58) **Field of Search** **D23/200, 210; 137/150.5; 210/169**

FIG. 1 is a perspective view showing the siphon;
FIG. 2 is a right hand side elevational view thereof;
FIG. 3 is is a left hand side elevational view thereof;
FIG. 4 is an underneath plan view thereof;
FIG. 5 is an overhead plan view thereof;
FIG. 6 is a back end elevational view thereof; and,
FIG. 7 is a front end elevational view thereof.

(56) **References Cited**

U.S. PATENT DOCUMENTS

3,682,193 A * 8/1972 Newsteder 137/142

1 Claim, 4 Drawing Sheets

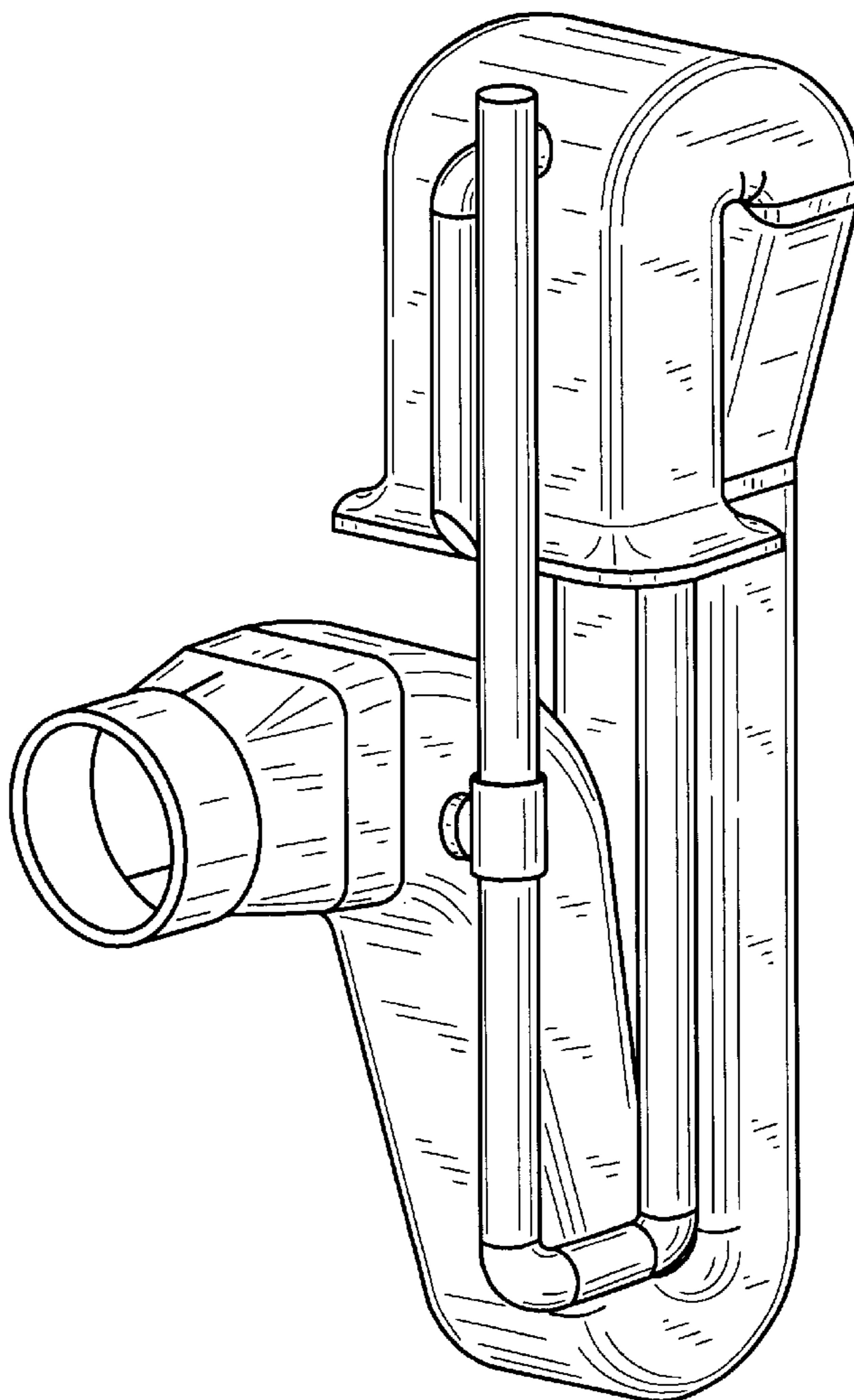


FIG. 1

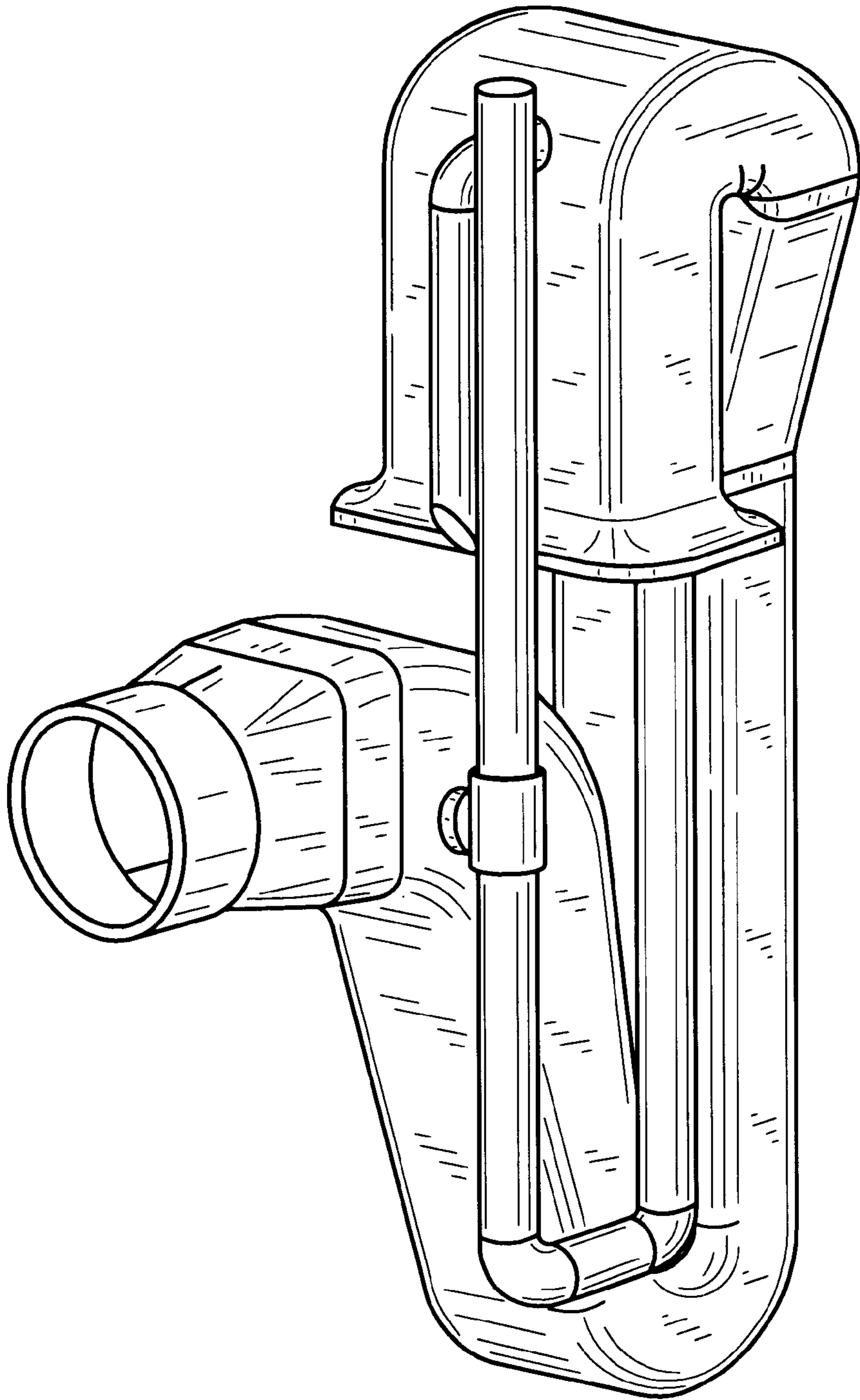


FIG. 3

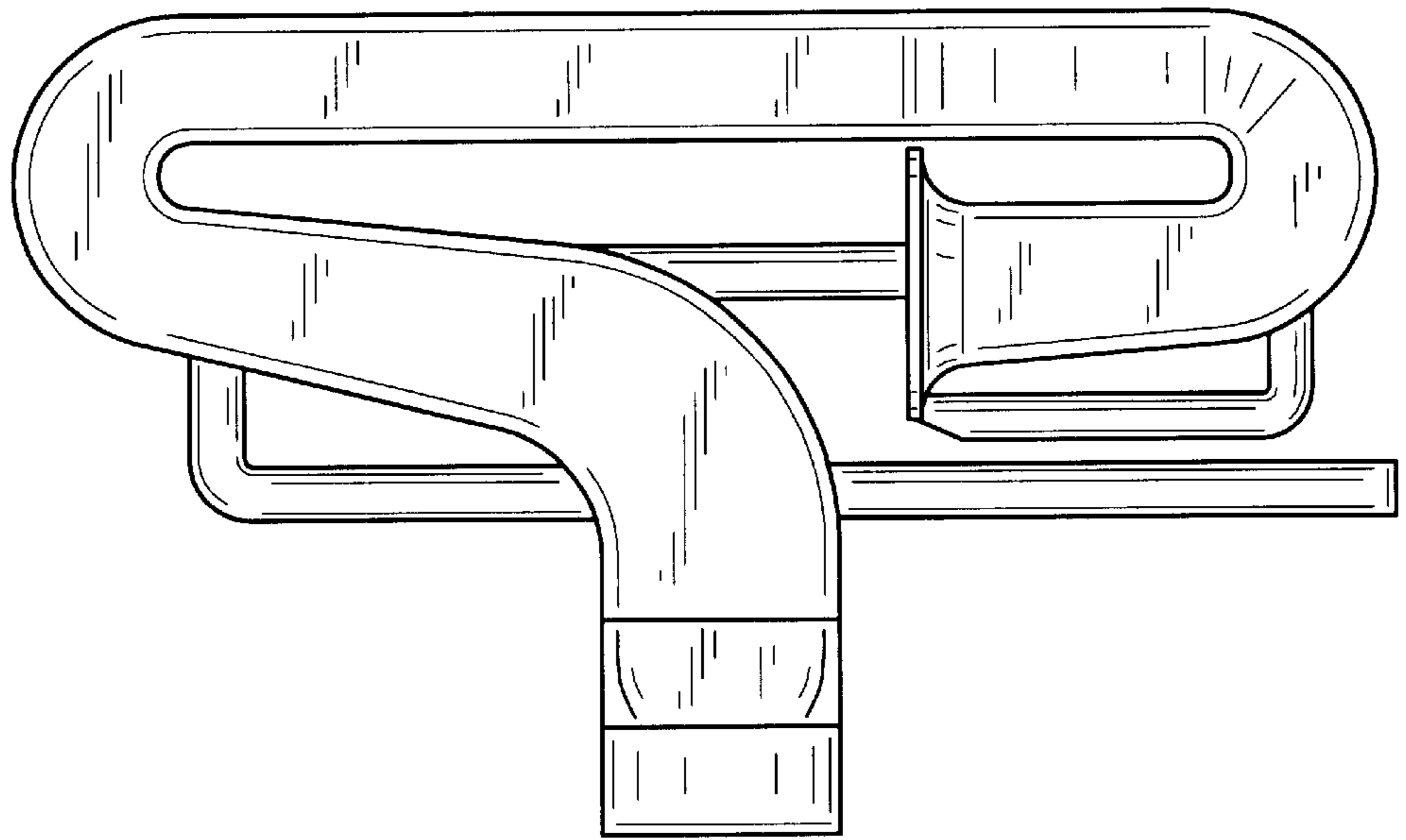


FIG. 2

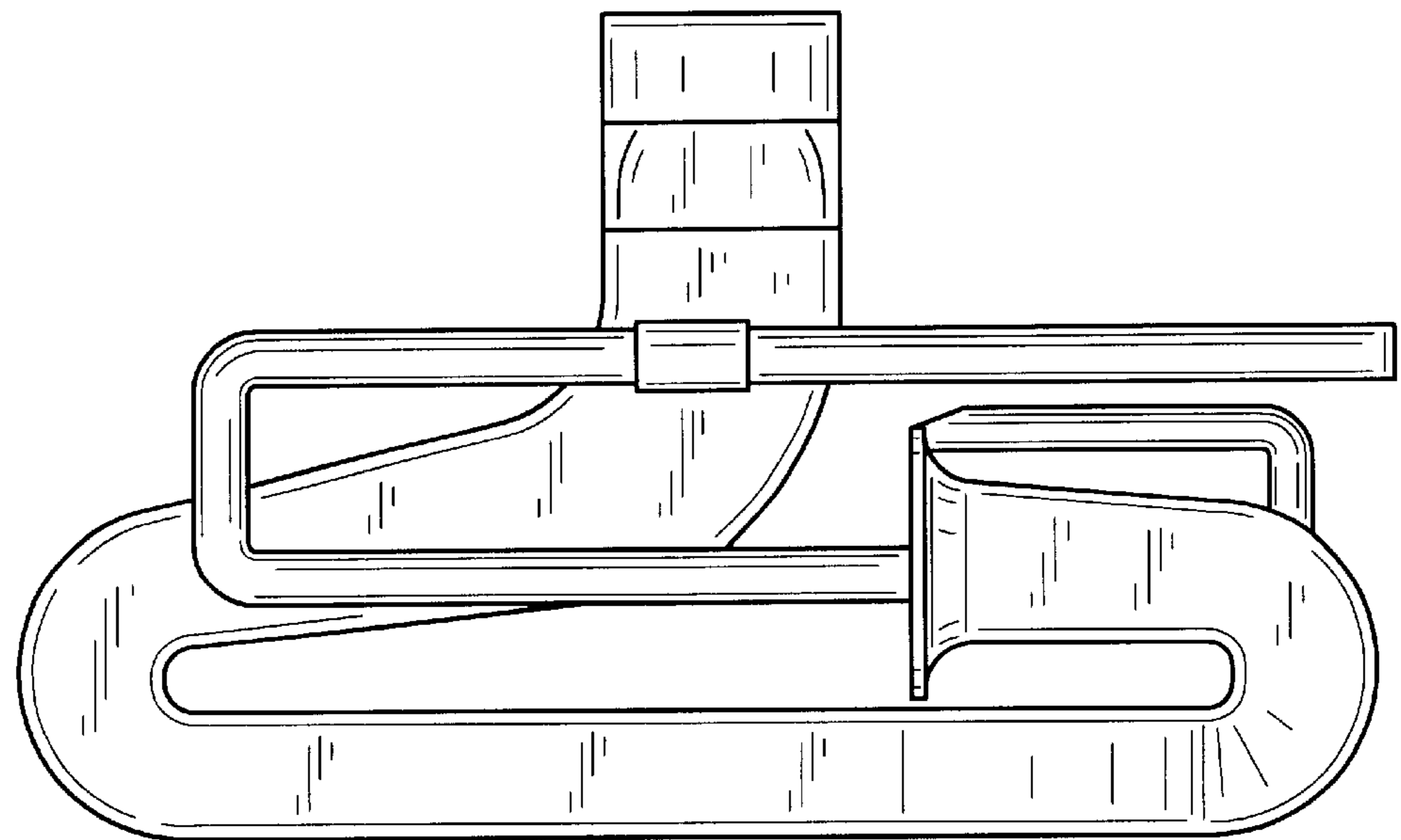


FIG. 5

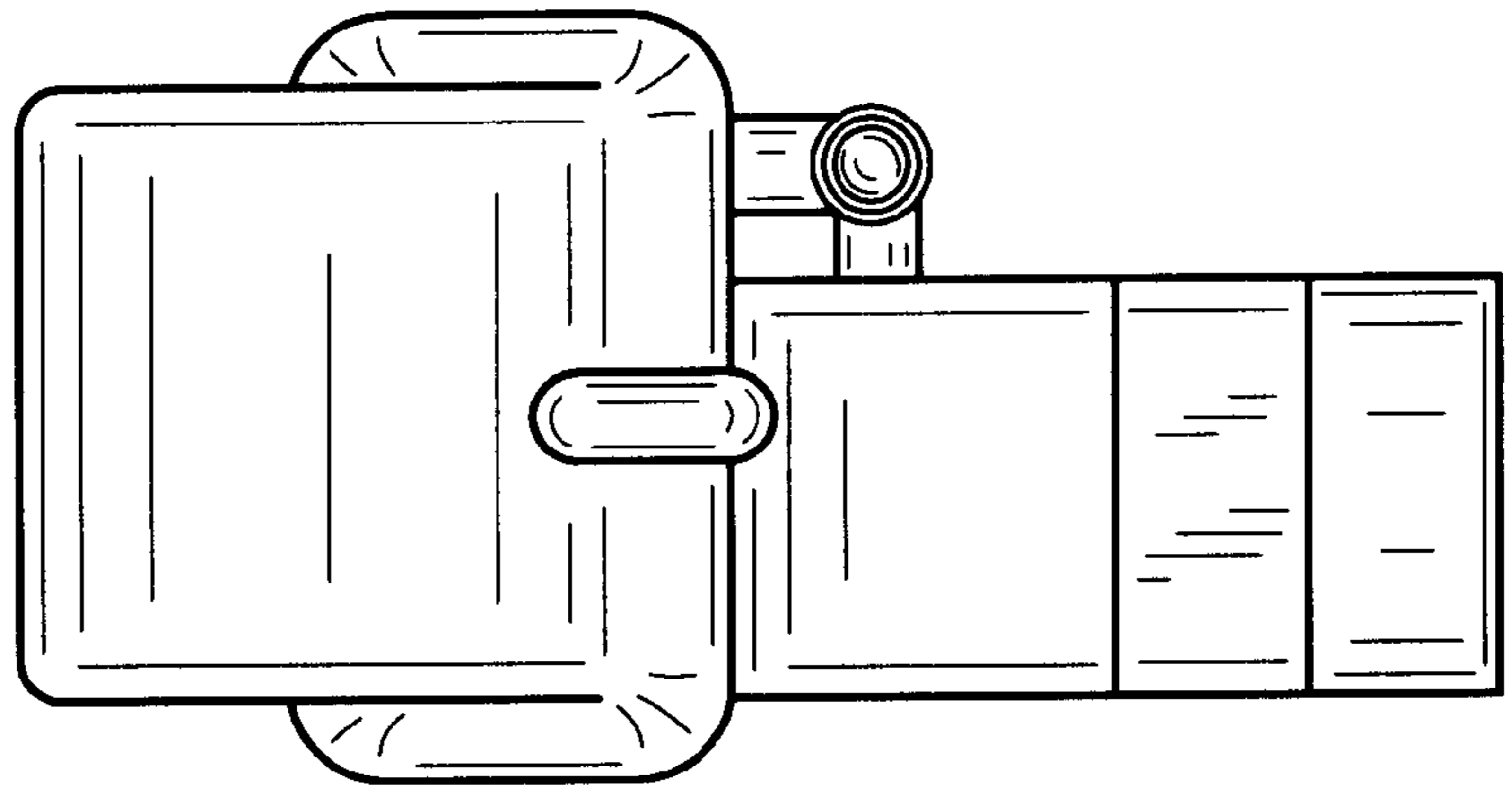


FIG. 4

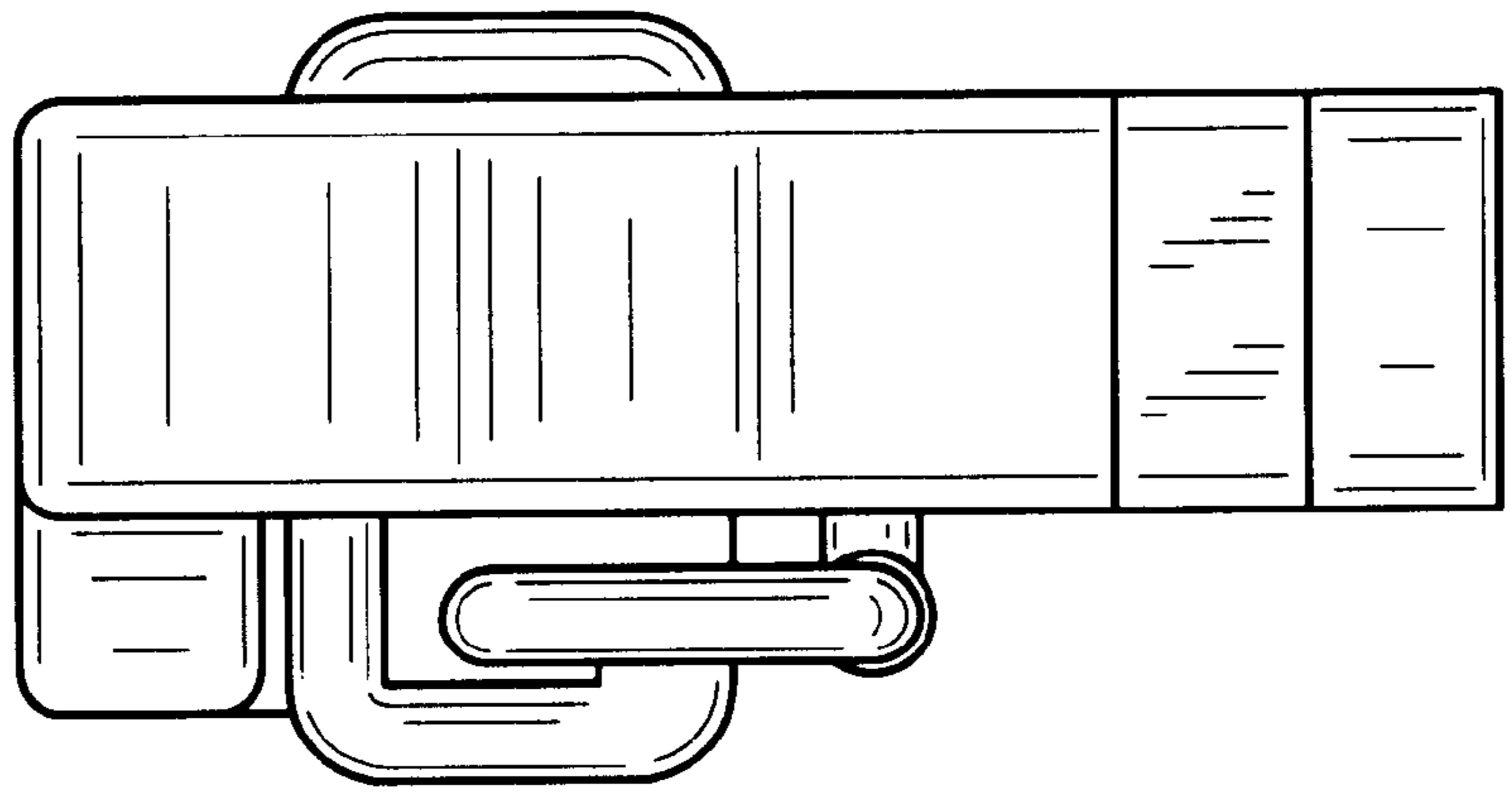


FIG. 7

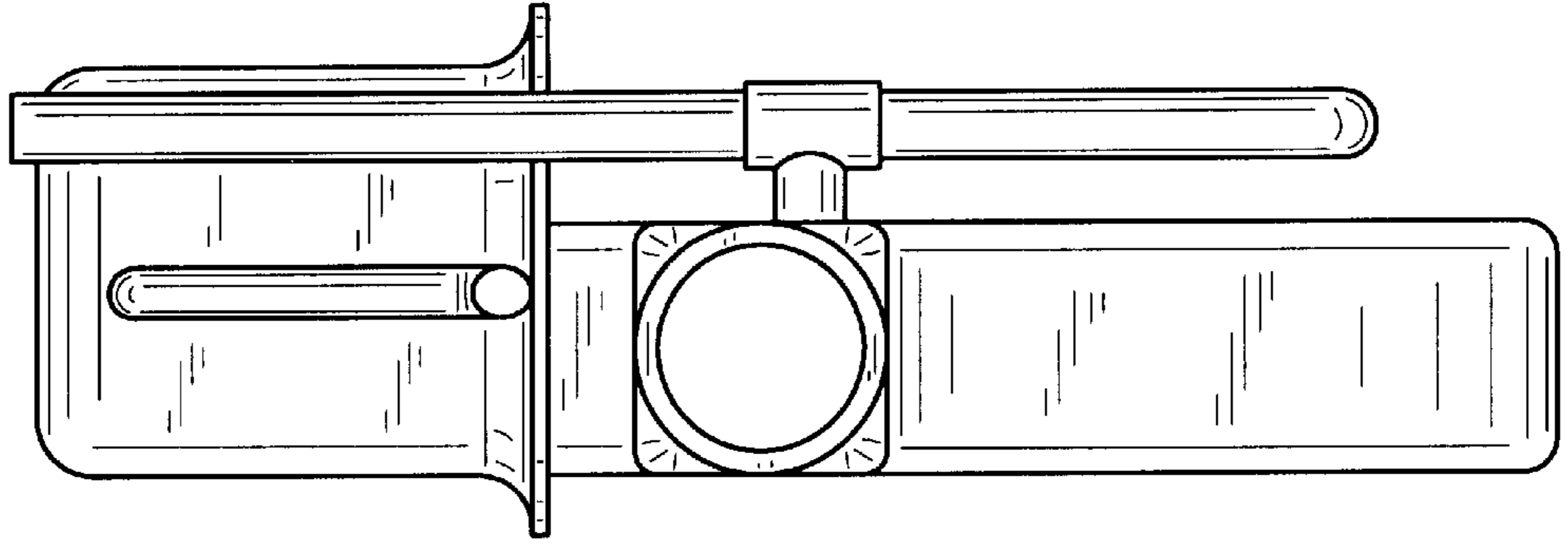


FIG. 6

