



US00D473911S

(12) **United States Design Patent**
Green

(10) **Patent No.:** **US D473,911 S**

(45) **Date of Patent:** **** Apr. 29, 2003**

(54) **KNIFE**

(75) Inventor: **Kathlyn Susan Green**, Machias, NY
(US)

(73) Assignee: **Ontario Knife Company**, Franklinville,
NY (US)

(**) Term: **14 Years**

(21) Appl. No.: **29/153,785**

(22) Filed: **Jan. 11, 2002**

(51) **LOC (7) Cl.** **22-02**

(52) **U.S. Cl.** **D22/118**

(58) **Field of Search** D22/118, 117;
30/151, 152, 153, 154, 160, 355; D8/95,
98, 99, 100, 107; 7/134, 158

(56) **References Cited**

U.S. PATENT DOCUMENTS

D178,988 S	*	10/1956	Doherty	D22/118
3,760,438 A		9/1973	White	7/1
3,842,458 A		10/1974	Bauer	7/5.6
4,015,331 A		4/1977	Balke	30/355
4,404,747 A		9/1983	Collins	30/151
4,622,707 A		11/1986	Finn	7/158
4,776,094 A		10/1988	Glesser	30/160
D299,375 S		1/1989	Pipes	D22/118
4,821,356 A		4/1989	Finn	7/134
4,970,785 A		11/1990	Collins	30/123
5,058,305 A	*	10/1991	Majesty	D22/118 X
D324,899 S	*	3/1992	Thompson	D22/118
D346,422 S		4/1994	Seber et al.	D22/118
D371,820 S	*	7/1996	Thompson	D22/118
D375,243 S		11/1996	Hasegawa	D8/107
5,594,967 A		1/1997	Morton et al.	7/134
5,711,079 A		1/1998	Fischer et al.	30/342
D398,211 S		9/1998	Howard	D8/98
D409,269 S		5/1999	Carson et al.	D22/118
D446,571 S	*	8/2001	Frazer	D22/118

OTHER PUBLICATIONS

Knives Illustrated, Jun. 30, 1995, Bear MGC, MGC Cutlery.*

* cited by examiner

Primary Examiner—Catherine R. Oliver

(74) *Attorney, Agent, or Firm*—Jaeckle Fleischmann & Mugel, LLP

(57) **CLAIM**

The ornamental design for a knife, as shown and described.

DESCRIPTION

FIG. 1 is an elevation view of a first embodiment of the knife design;

FIG. 2 is a top plan view of the first embodiment of the knife design;

FIG. 3 is a bottom plan view of the first embodiment of the knife design;

FIG. 4 is a left side elevation view of the first embodiment of the knife design;

FIG. 5 is a right side elevation view of the first embodiment of the knife design;

FIG. 6 is an elevation view of a second embodiment of the knife design;

FIG. 7 is a top plan view of the second embodiment of the knife design;

FIG. 8 is a bottom plan view of the second embodiment of the knife design;

FIG. 9 is a left side elevation view of the second embodiment of the knife design;

FIG. 10 is a right side elevation view of the second embodiment of the knife design;

FIG. 11 is an elevation view of a third embodiment of the knife design;

FIG. 12 is a top plan view of the third embodiment of the knife design;

FIG. 13 is a bottom plan view of the third embodiment of the knife design;

FIG. 14 is a left side elevation view of the third embodiment of the knife design;

FIG. 15 is a right side elevation view of the third embodiment of the knife design;

FIG. 16 is an elevation view of a fourth embodiment of the knife design;

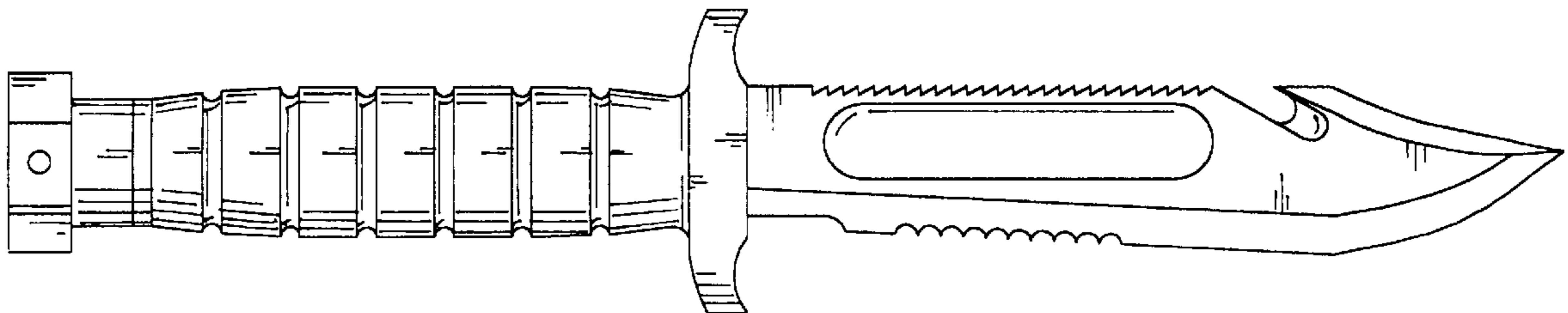
FIG. 17 is a top plan view of the fourth embodiment of the knife design;

FIG. 18 is a bottom plan view of the fourth embodiment of the knife design;

FIG. 19 is a left side elevation view of the fourth embodiment of the knife design; and,

FIG. 20 is a right side elevation view of the fourth embodiment of the knife design.

1 Claim, 4 Drawing Sheets



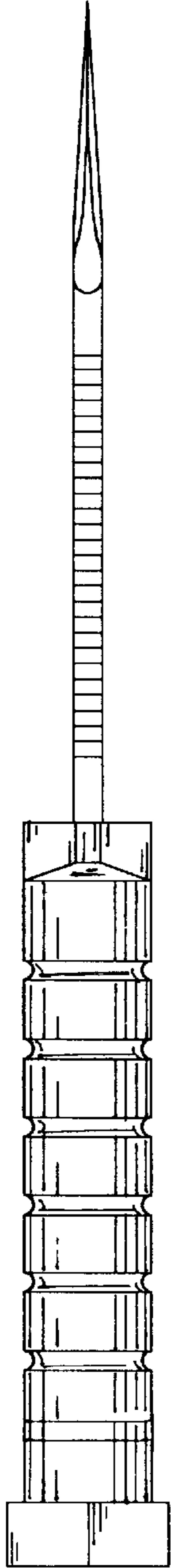


FIG. 2

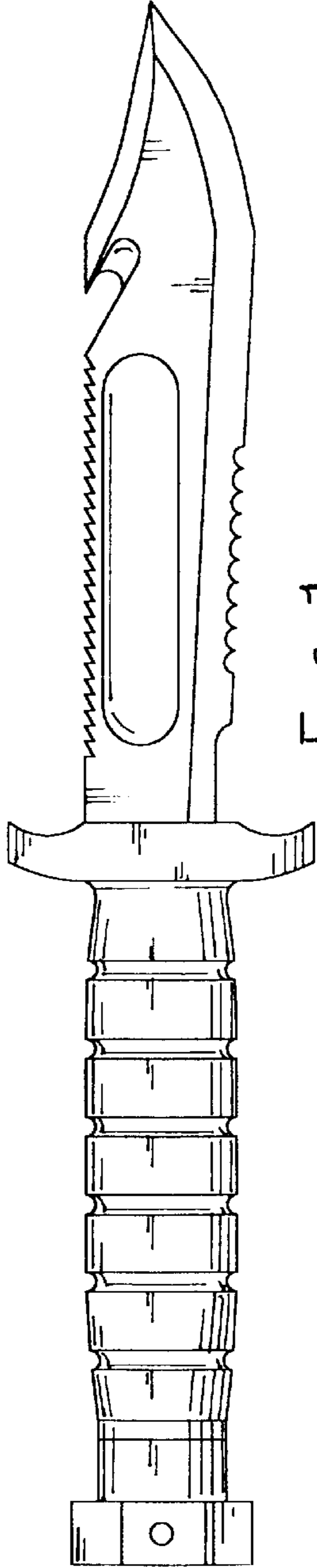


FIG. 1

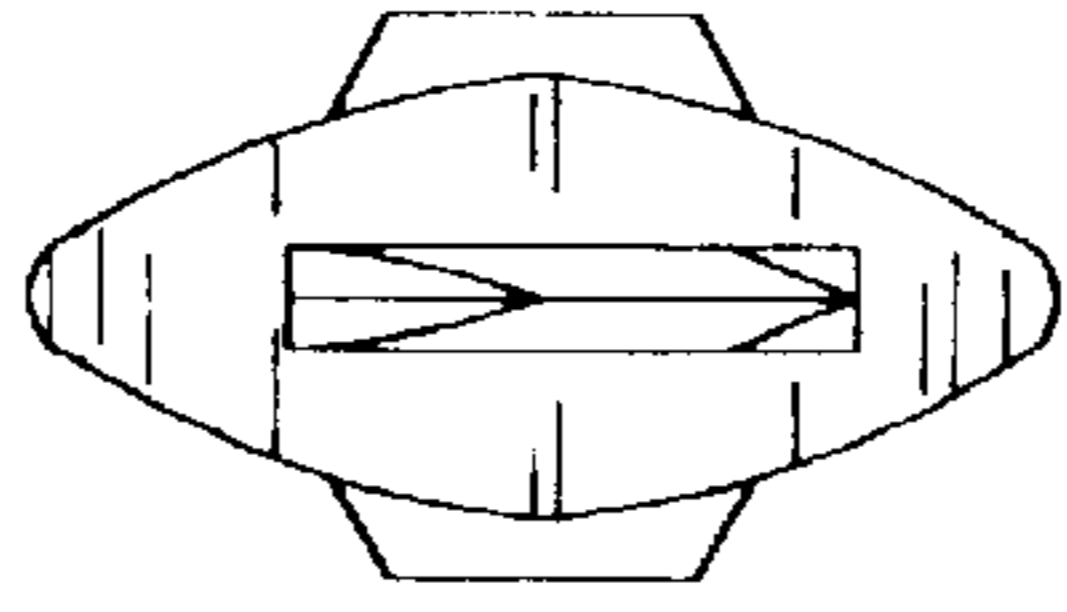


FIG. 5

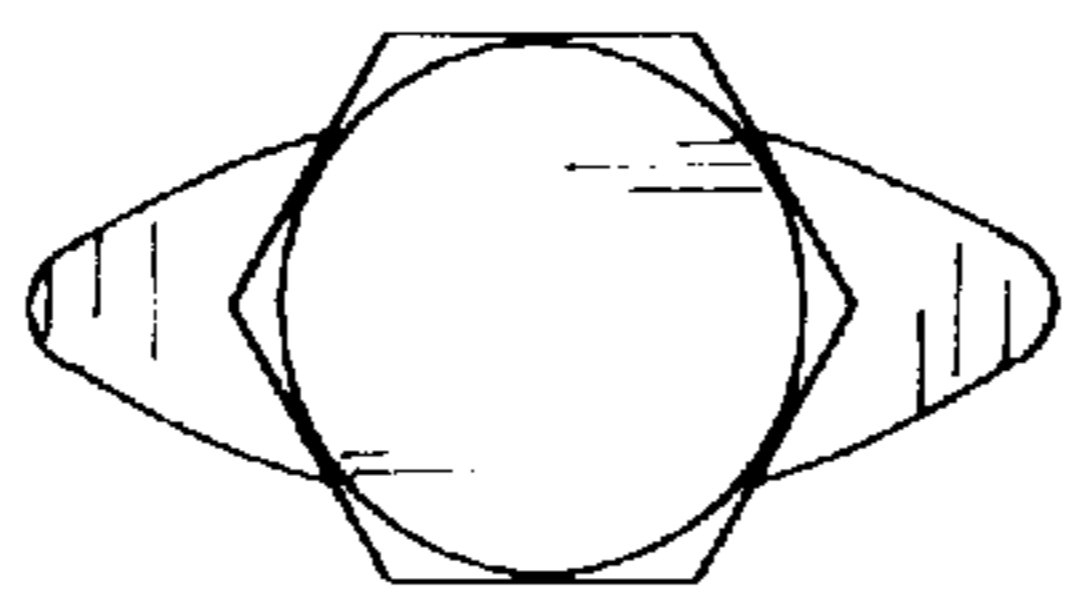


FIG. 4

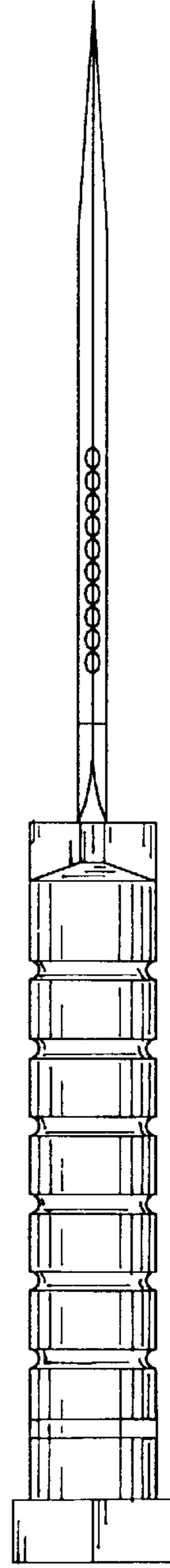


FIG. 3

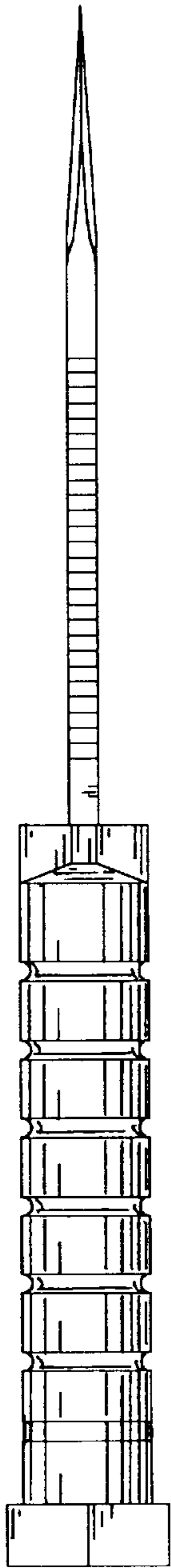


FIG. 7

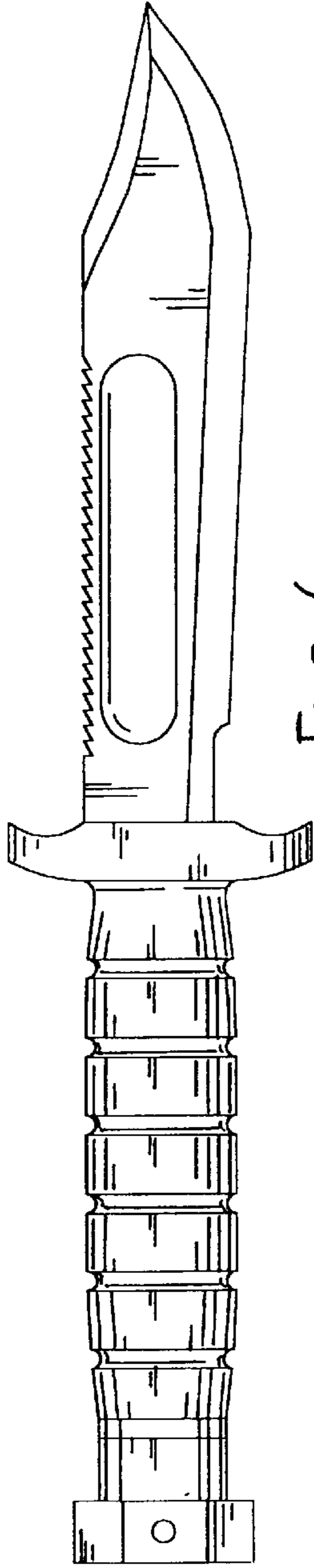


FIG. 6

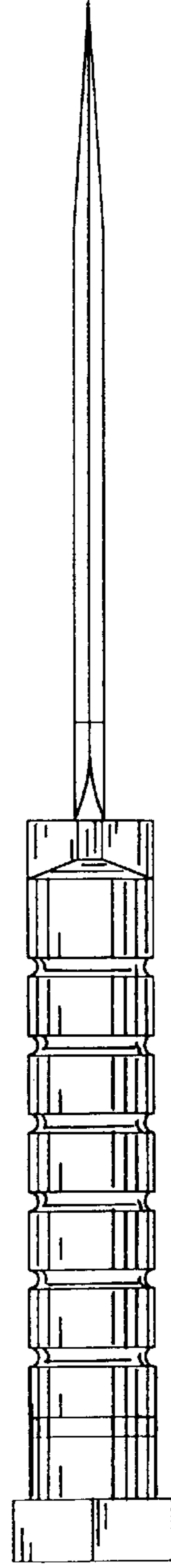


FIG. 8

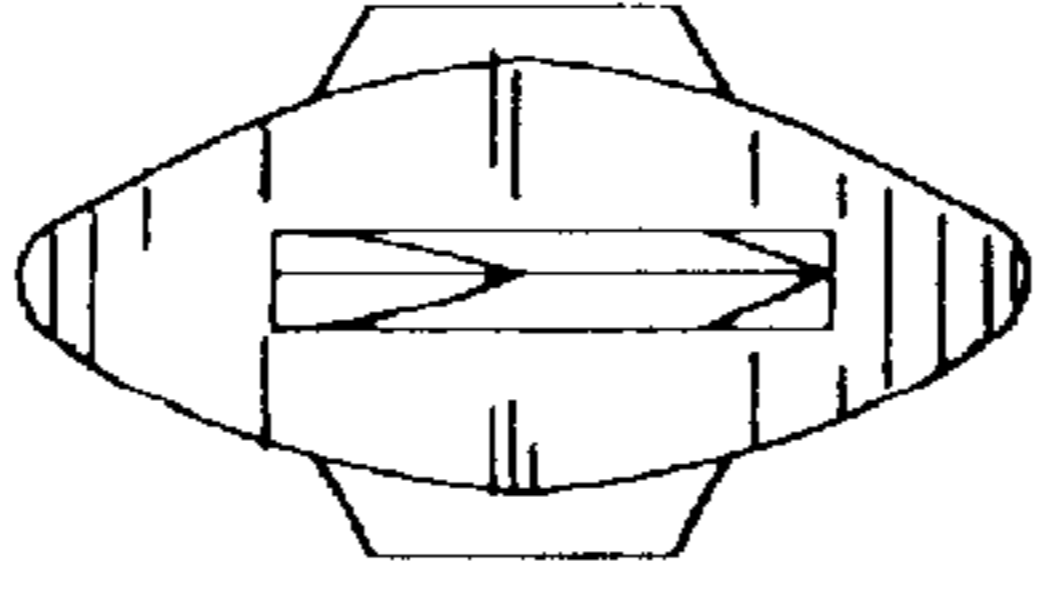


FIG. 10

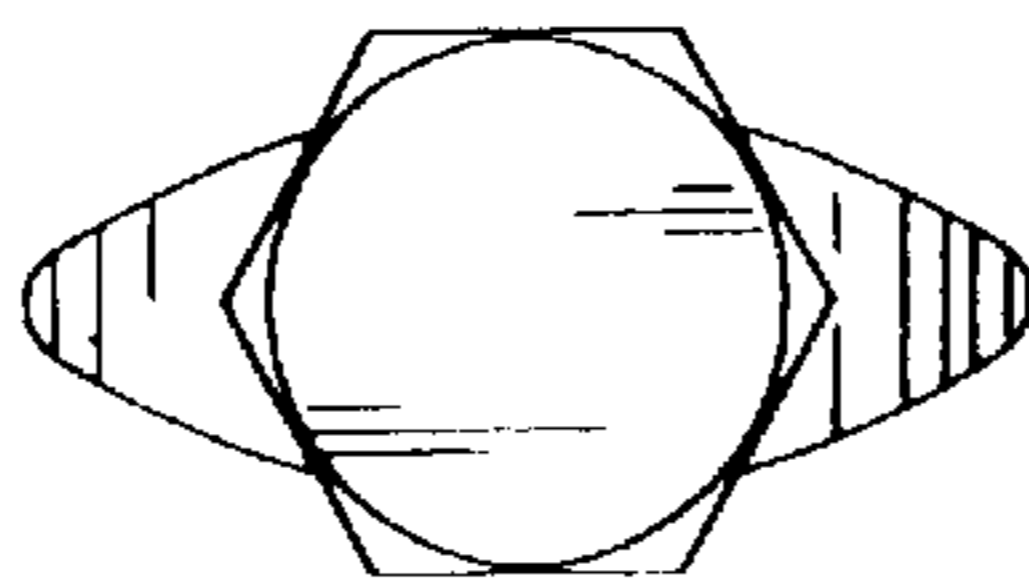


FIG. 9

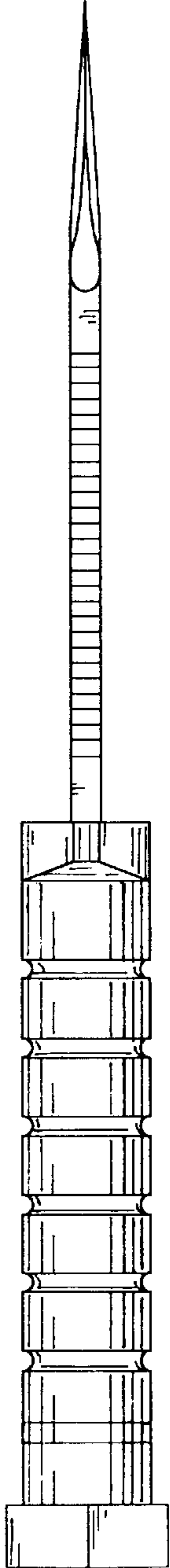


FIG. 12

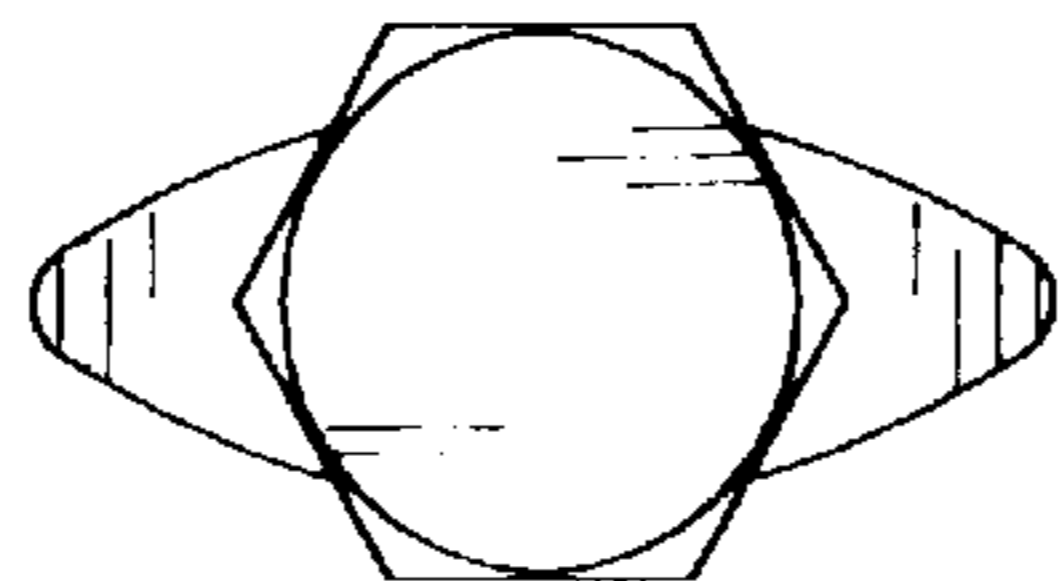


FIG. 14

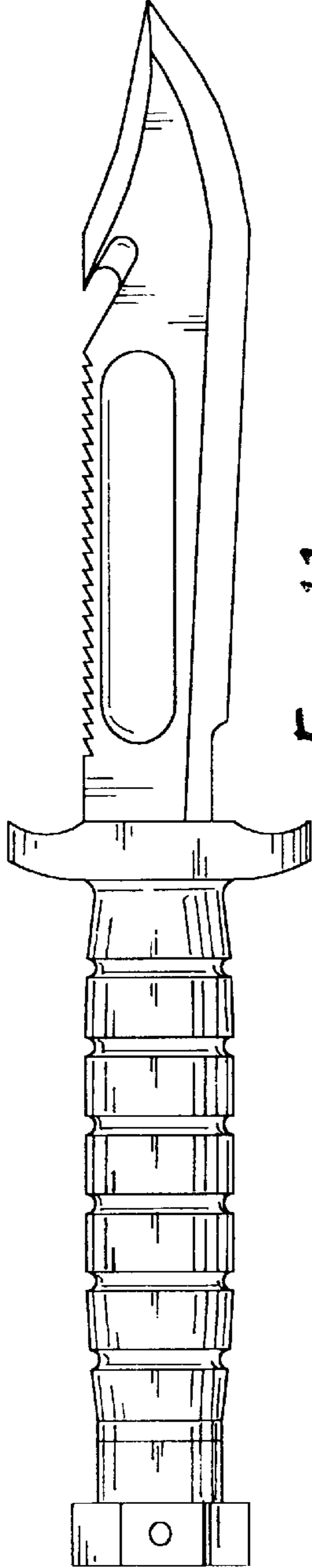


FIG. 11

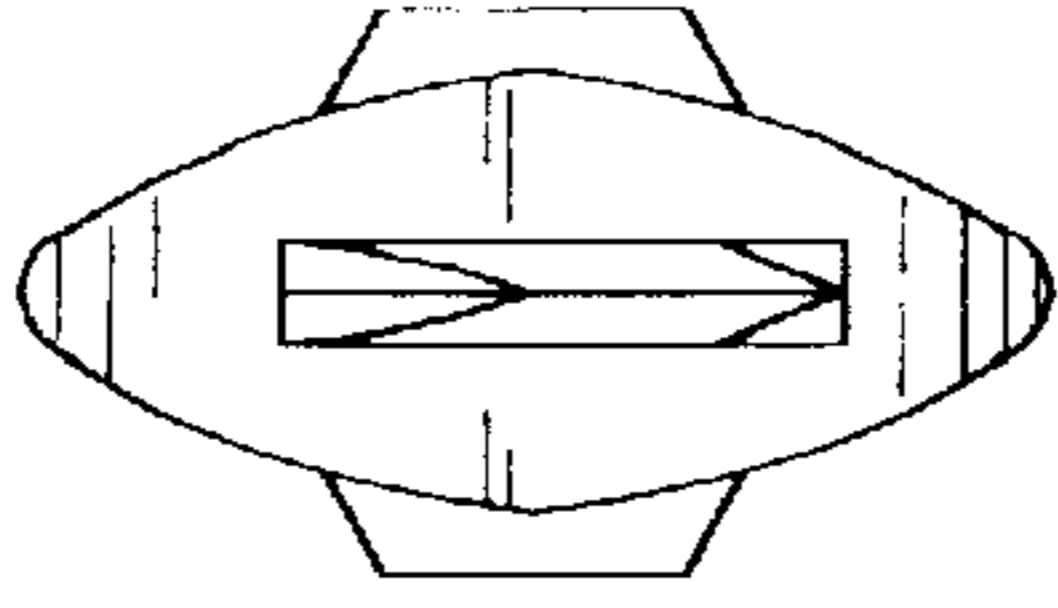


FIG. 15

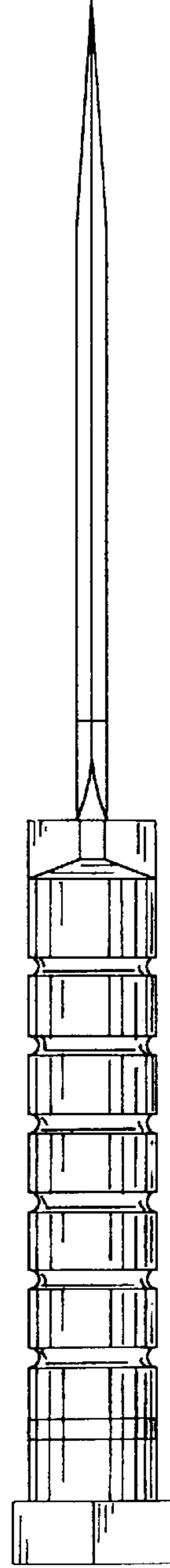


FIG. 13

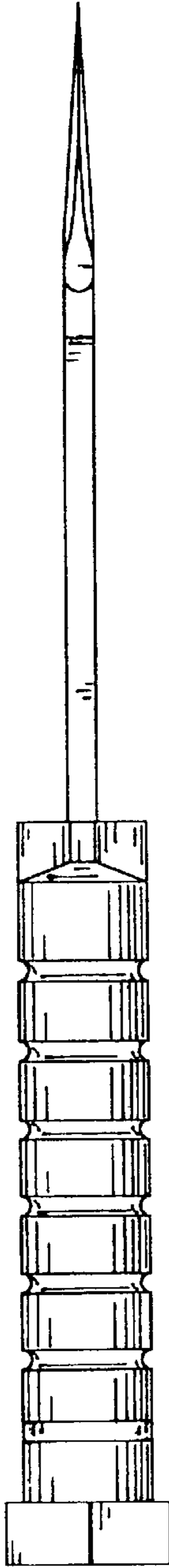


FIG. 17

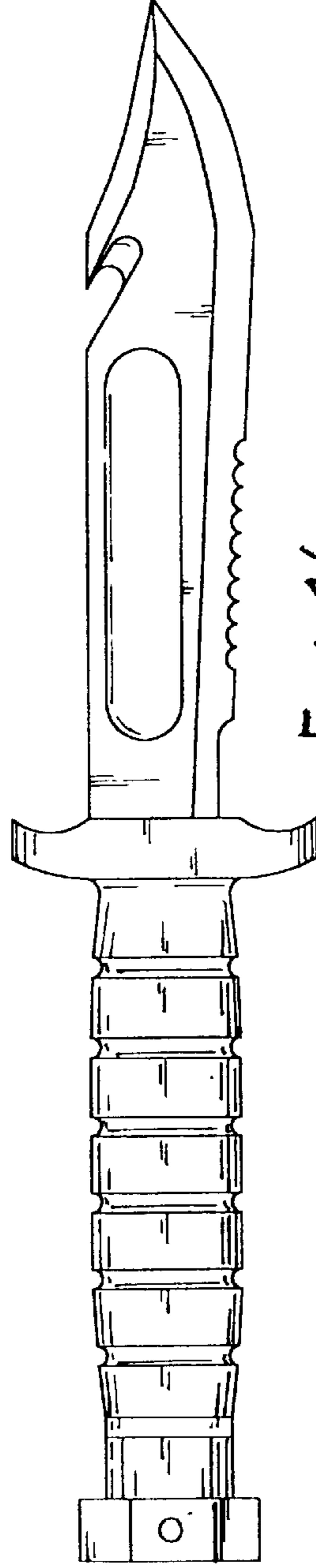


FIG. 16

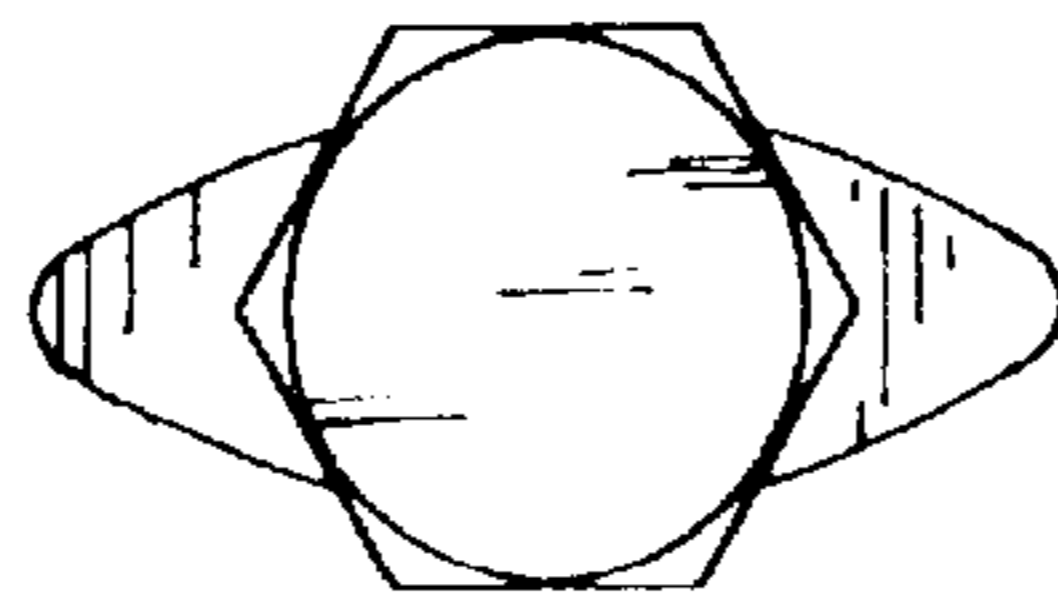


FIG. 19

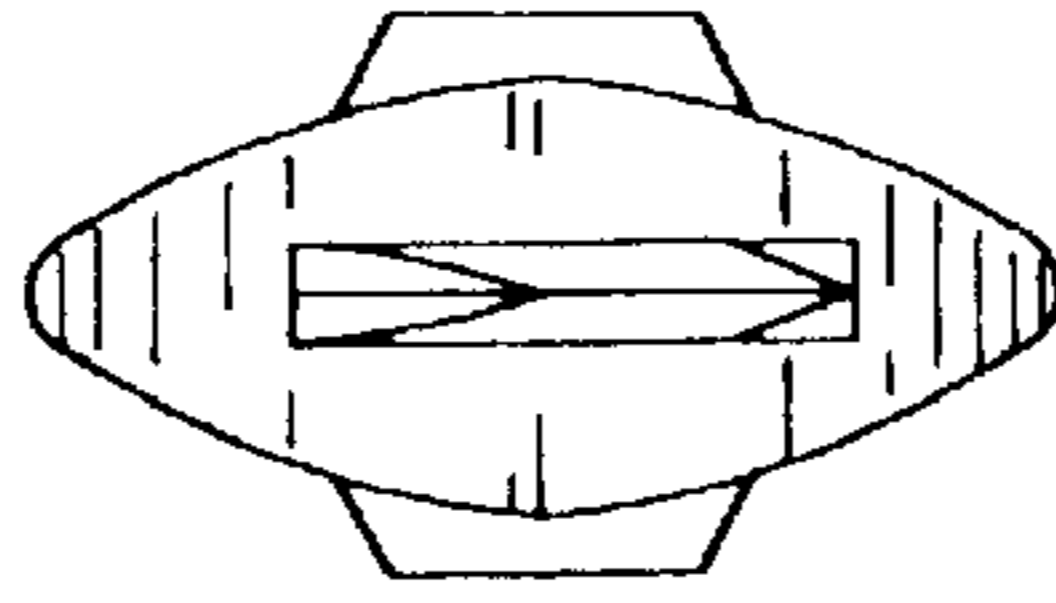


FIG. 20

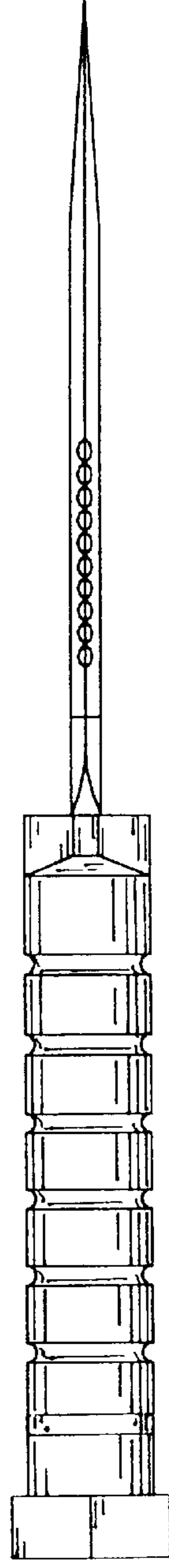


FIG. 18