



US00D473910S

(12) **United States Design Patent**
Rice et al.

(10) **Patent No.:** **US D473,910 S**

(45) **Date of Patent:** **** Apr. 29, 2003**

(54) **PAINTBALL MARKER GRIP FRAME**

(75) Inventors: **John Ronald Rice**, Staffordshire (GB);
Nicholas John Marks, Stoke-on-Trent (GB); **Mark Andrew Walker**,
Staffordshire (GB)

(73) Assignee: **NPF Limited**, Birmingham (GB)

(**) Term: **14 Years**

(21) Appl. No.: **29/160,853**

(22) Filed: **May 16, 2002**

(30) **Foreign Application Priority Data**

Nov. 23, 2001 (GB) 2106442

(51) **LOC (7) Cl.** **22-01**

(52) **U.S. Cl.** **D22/108**

(58) **Field of Search** D22/100, 104,
D22/108, 199; D21/573, 574, 575; 124/31,
70, 71, 72, 73, 74, 75, 76, 77; 42/1.02,
69.02, 71.02, 75.03

(56) **References Cited**

U.S. PATENT DOCUMENTS

1,531,796 A * 3/1925 Loomis 42/71.02
5,595,166 A * 1/1997 Schmidt, III et al. 124/31 X
5,904,132 A * 5/1999 Biller 124/31 X

6,112,446 A * 9/2000 Forster et al. 42/71.02
D441,410 S * 5/2001 Fernandez et al. 124/71
6,371,099 B1 * 4/2002 Lee 124/72

* cited by examiner

Primary Examiner—Louis S. Zarfes

Assistant Examiner—Monica A. Weingart

(74) *Attorney, Agent, or Firm*—Michael D. Rehtin; Foley & Lardner

(57) **CLAIM**

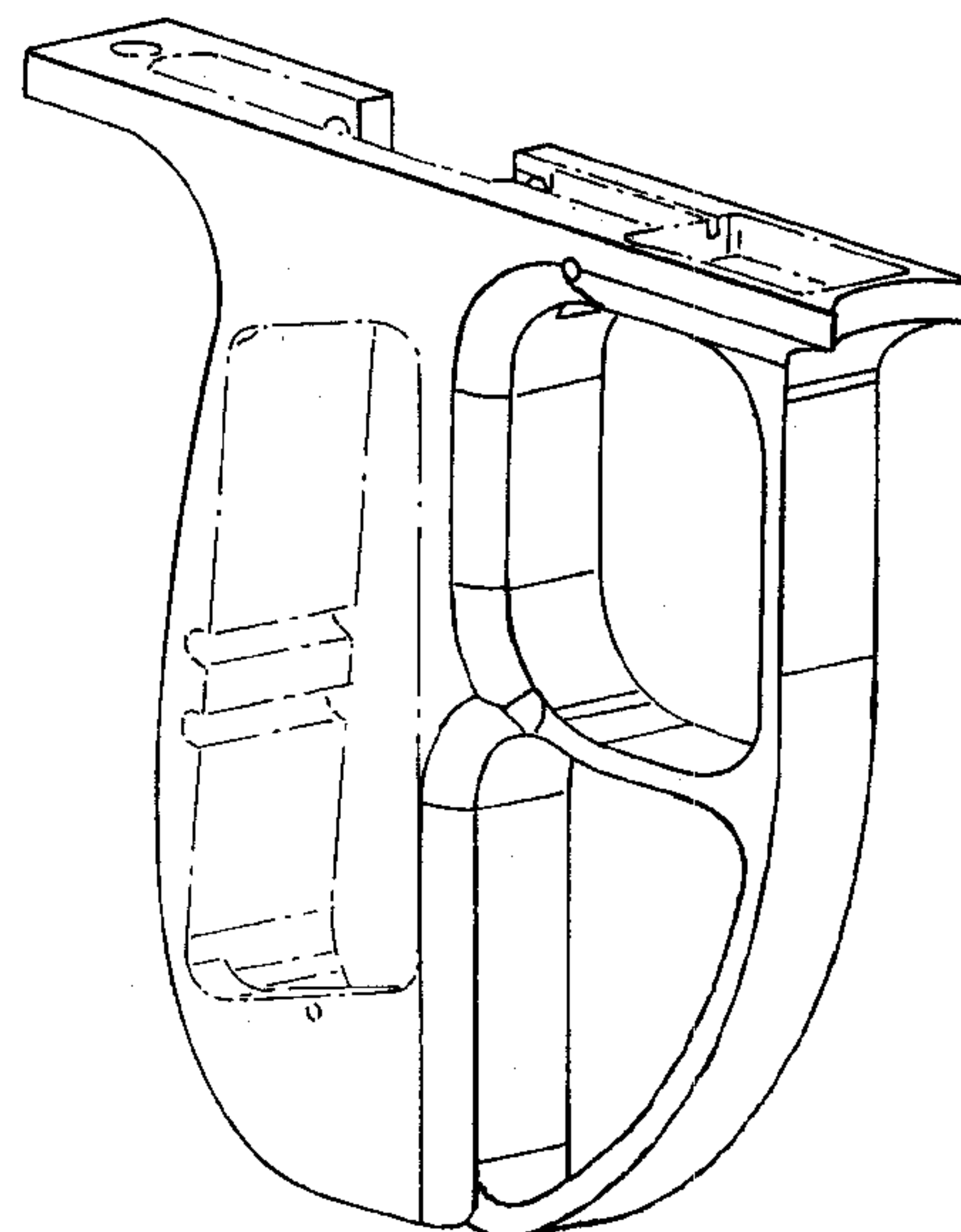
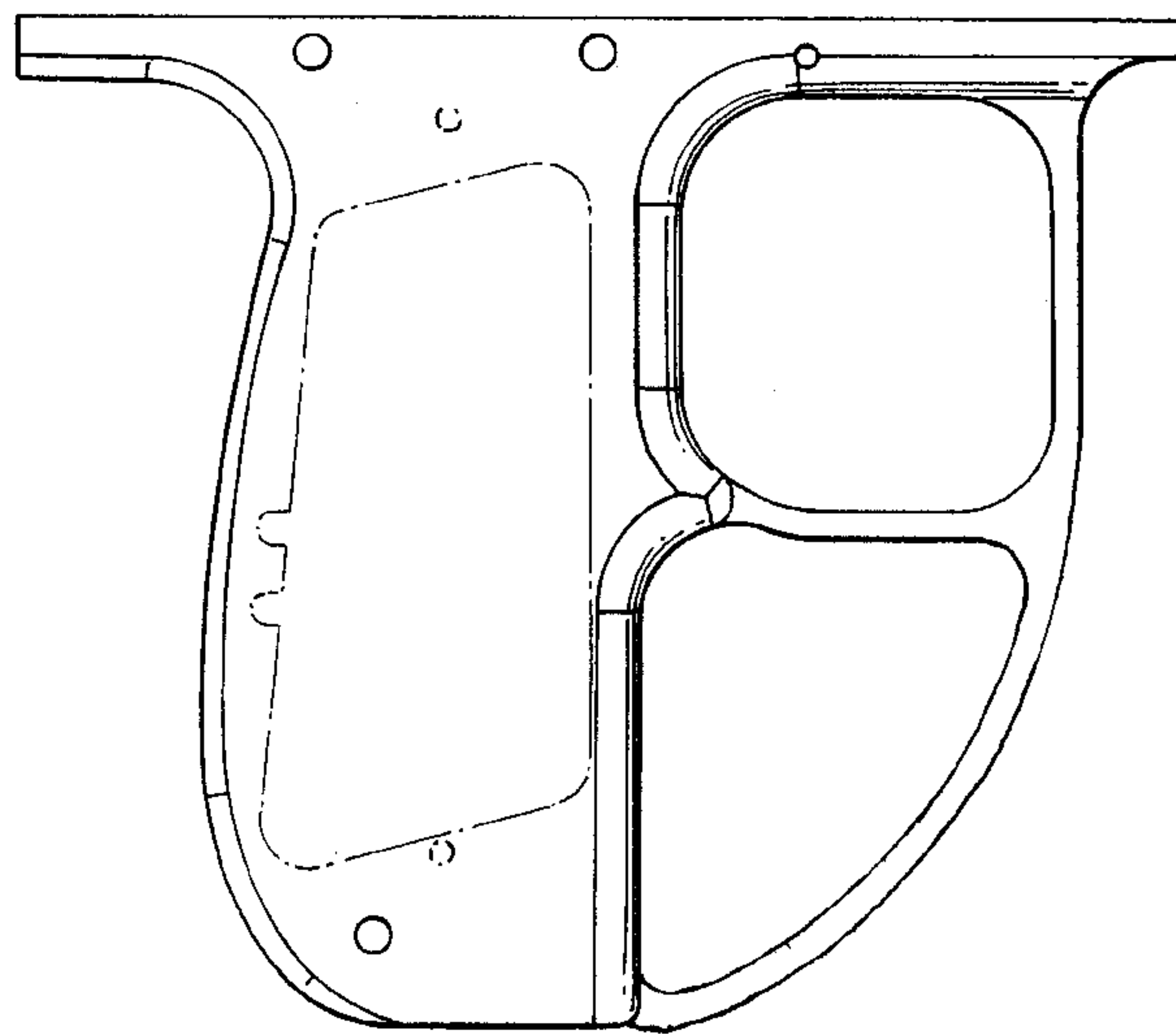
We claim the ornamental design for a paintball marker grip frame, as shown and described.

DESCRIPTION

FIG. 1 is a top view of the claimed design;
FIG. 2 is a bottom view of the claimed design;
FIG. 3 is a front view of the claimed design;
FIG. 4 is a back view of the claimed design;
FIG. 5 is a left side view of the claimed design;
FIG. 6 is a right side view of the claimed design; and,
FIG. 7 is a top perspective view from the rear and the right side of the claimed design.

The ornamental design which is claimed is shown in solid lines in the drawings. The broken lines in the drawings are for illustrative purposes only and form no part of the claimed design.

1 Claim, 3 Drawing Sheets



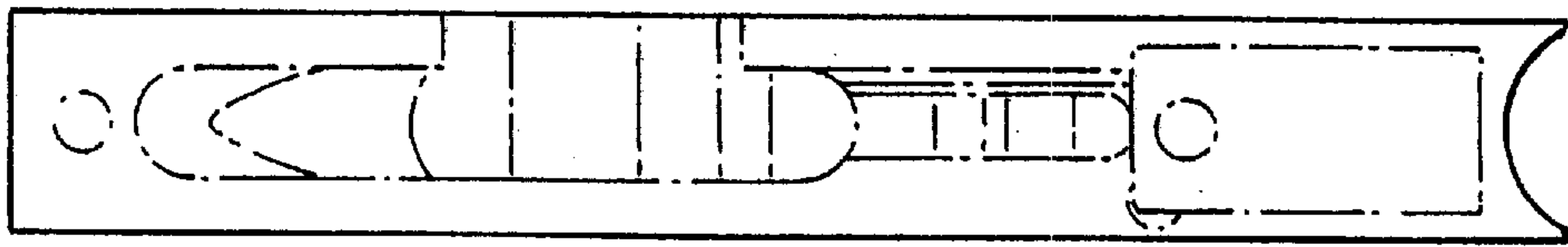


Fig. 1

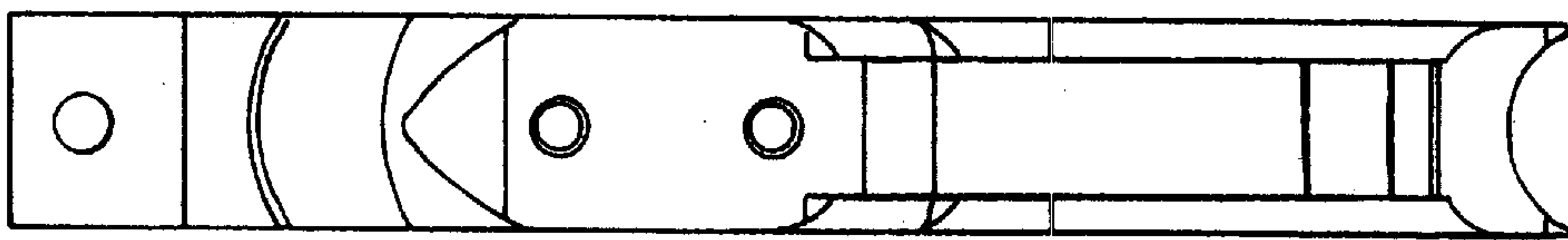


Fig. 2

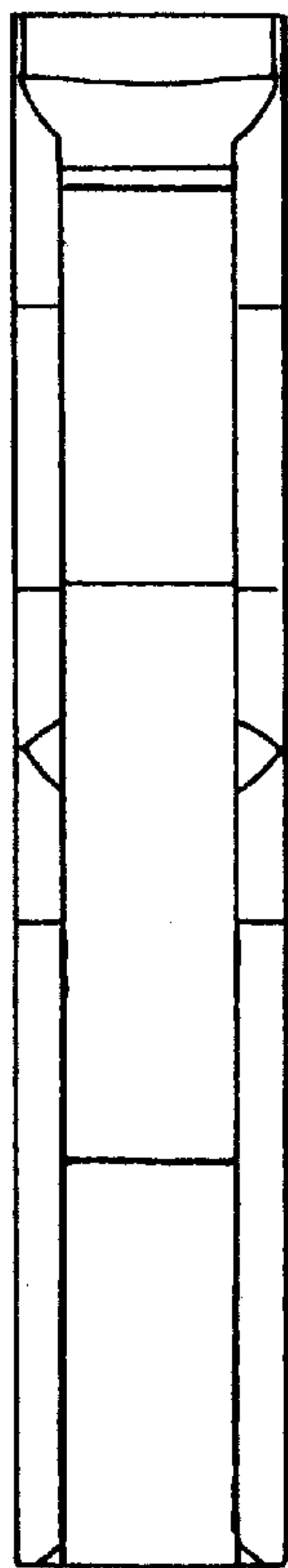


Fig. 3

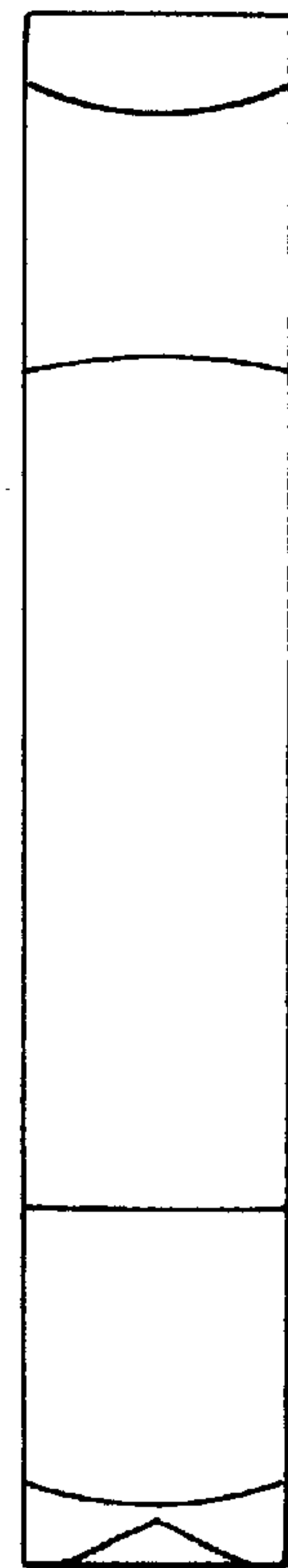


Fig. 4

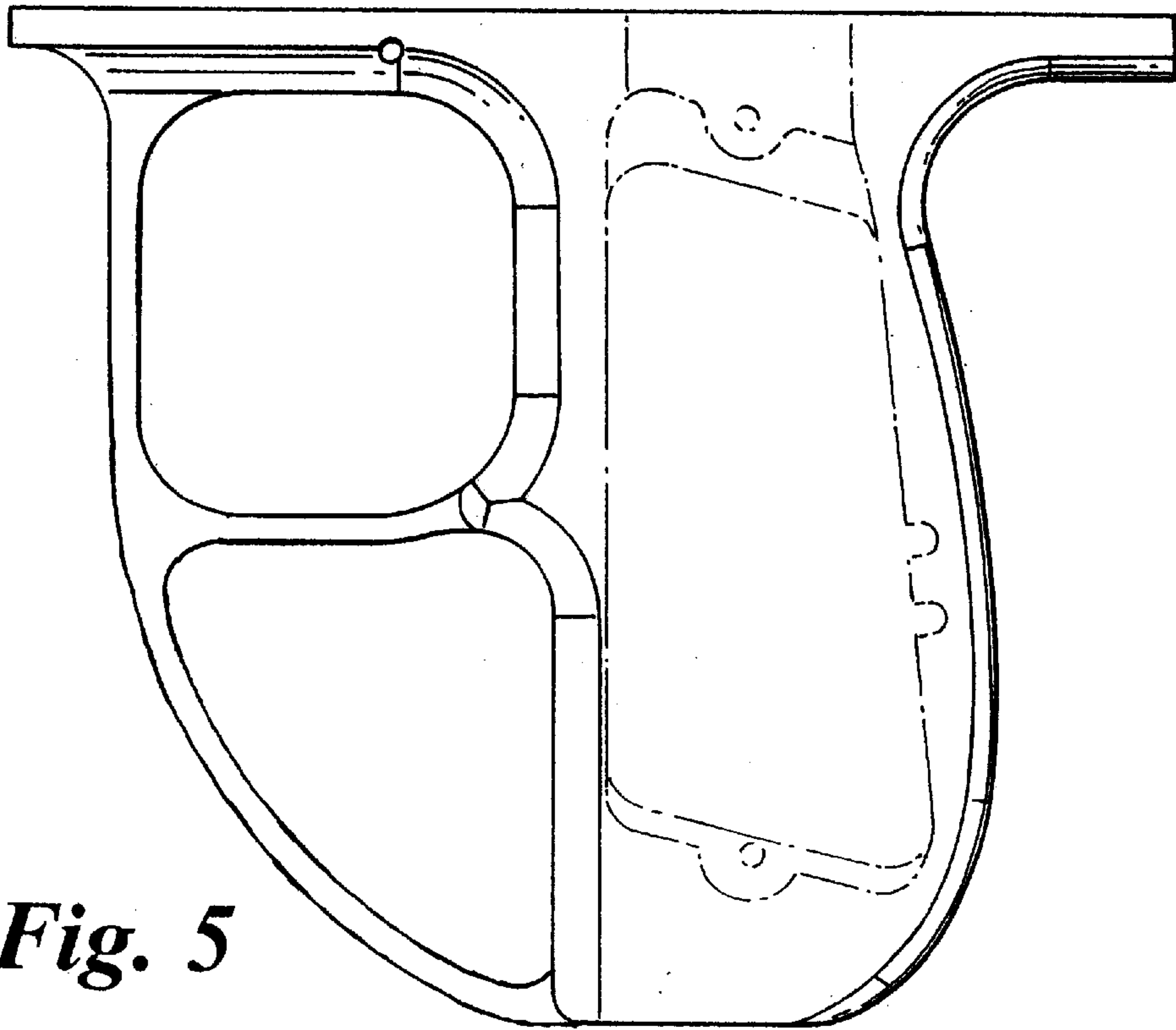


Fig. 5

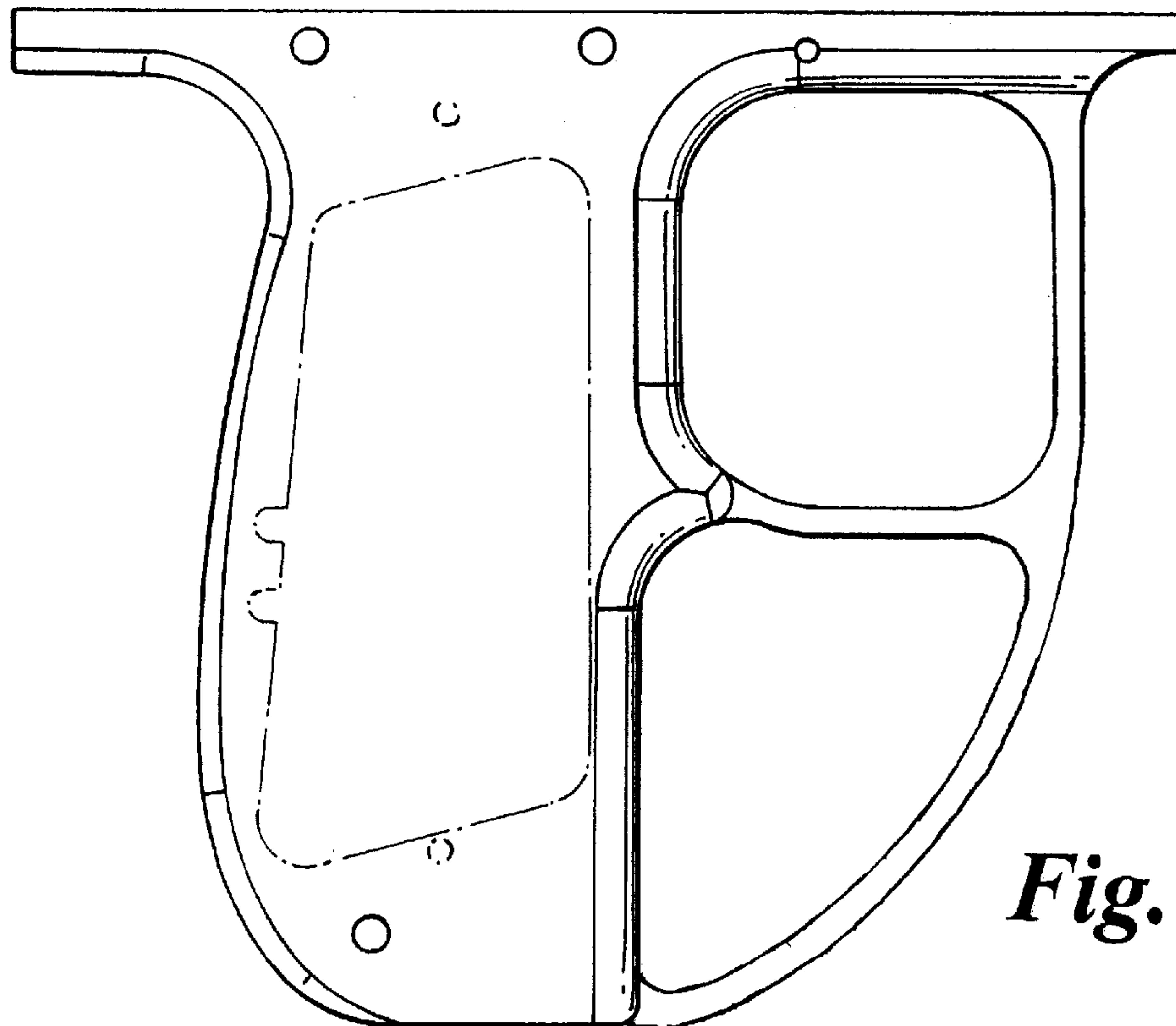


Fig. 6

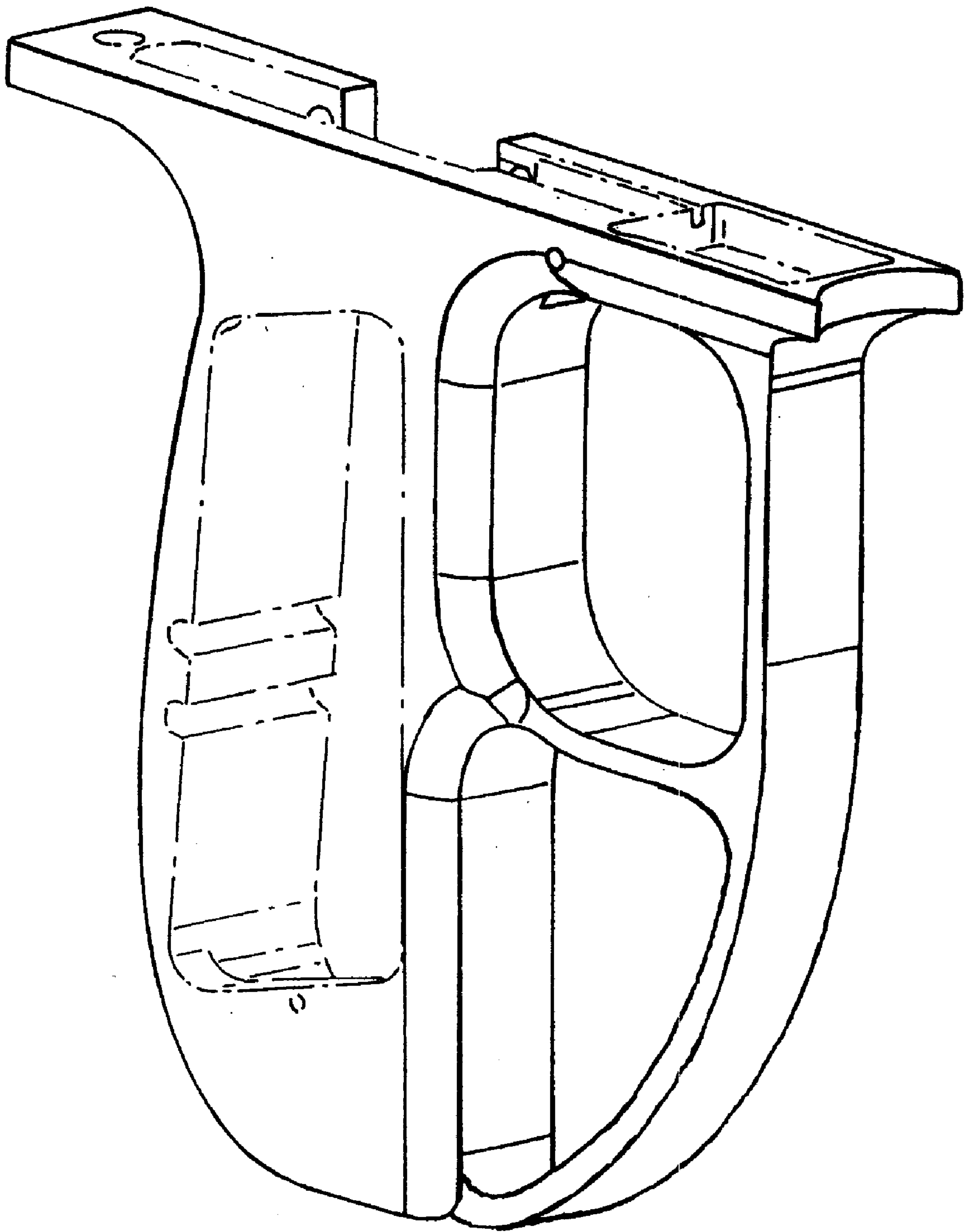


Fig. 7