



US00D473909S

(12) **United States Design Patent**
Kay

(10) **Patent No.:** **US D473,909 S**

(45) **Date of Patent:** **** Apr. 29, 2003**

(54) **UNDERBARREL SHOTGUN**

(76) **Inventor:** **Ira M. Kay**, 405 Winchester St.,
Warrenton, VA (US) 20186

(**) **Term:** **14 Years**

(21) **Appl. No.:** **29/152,706**

(22) **Filed:** **Dec. 31, 2001**

Related U.S. Application Data

(62) Division of application No. 29/126,571, filed on Jul. 20,
2000, now Pat. No. Des. 457,722.

(51) **LOC (7) Cl.** **22-01**

(52) **U.S. Cl.** **D22/103**

(58) **Field of Search** D22/100, 103,
D22/199; 42/75.01, 105; 89/126, 127, 1.41

(56) **References Cited**

U.S. PATENT DOCUMENTS

2,752,825	A	*	7/1956	Crigger et al.	89/1.41
4,867,039	A	*	9/1989	Dobbins	89/1.41 X
4,967,642	A	*	11/1990	Mihaita	89/126
5,628,137	A	*	5/1997	Cortese	42/105
5,852,253	A	*	12/1998	Baricos et al.	89/126 X
6,142,058	A	*	11/2000	Mayville et al.	89/1.41 X

* cited by examiner

Primary Examiner—Louis S. Zarfes

Assistant Examiner—Monica A. Weingart

(74) *Attorney, Agent, or Firm*—Shlesinger, Arkwright &
Garvey LLP

(57) **CLAIM**

The ornamental design for underbarrel shotgun, as shown
and described.

DESCRIPTION

FIG. 1 is a front perspective view of an underbarrel shotgun
showing my new design;

FIG. 2 is right side elevational view of FIG. 1;

FIG. 3 is a top plan view of FIG. 1;

FIG. 4 is a bottom plan view of FIG. 1;

FIG. 5 is a front elevational view of FIG. 1;

FIG. 6 is a rear elevation view of FIG. 1;

FIG. 7 is a perspective view of another embodiment of an
underbarrel shotgun showing my new design;

FIG. 8 is right side elevational view of FIG. 7;

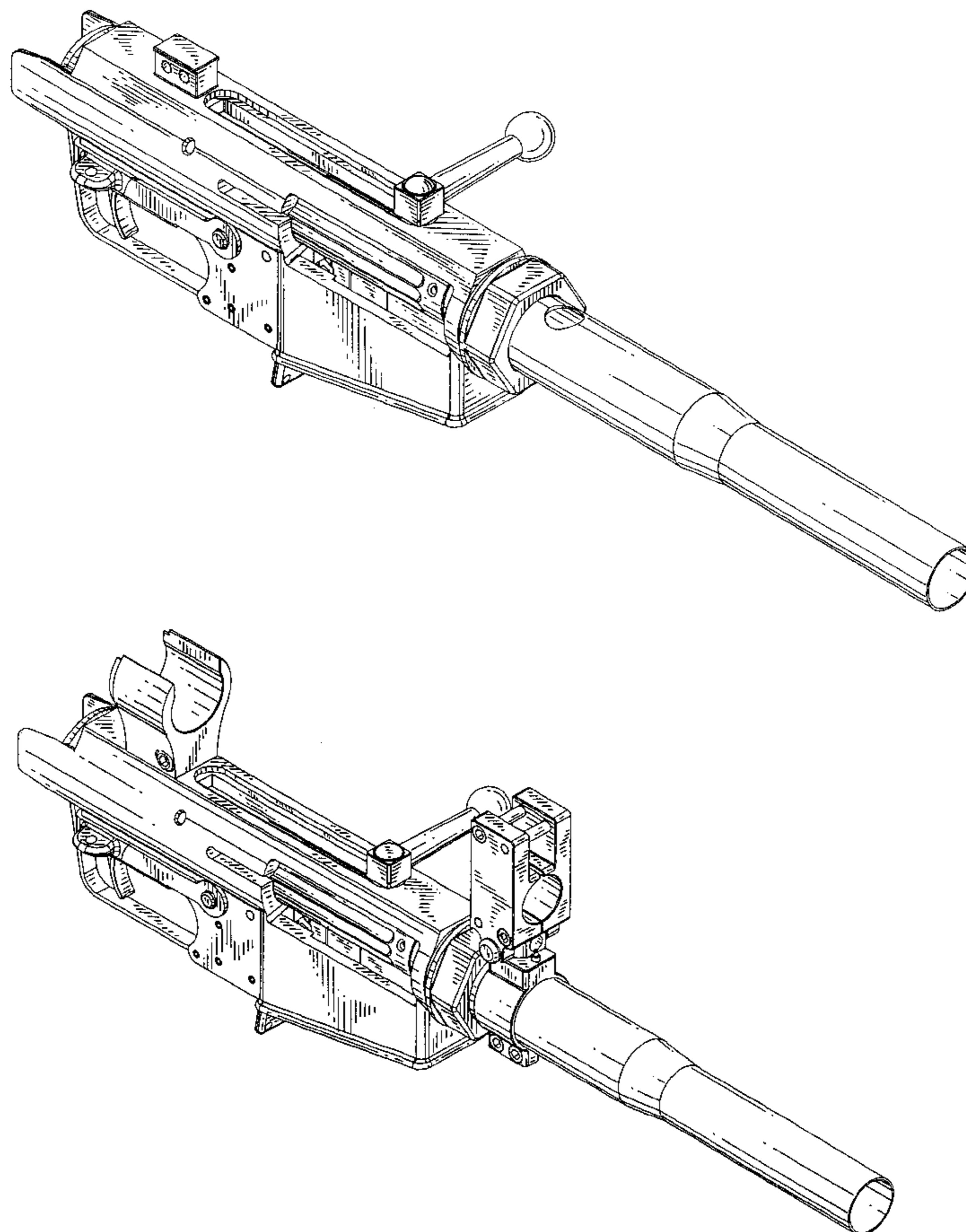
FIG. 9 is a top plan view of FIG. 7;

FIG. 10 is a bottom plan view of FIG. 7;

FIG. 11 is a front elevational view of FIG. 7; and,

FIG. 12 is a rear elevational view of FIG. 7.

1 Claim, 10 Drawing Sheets



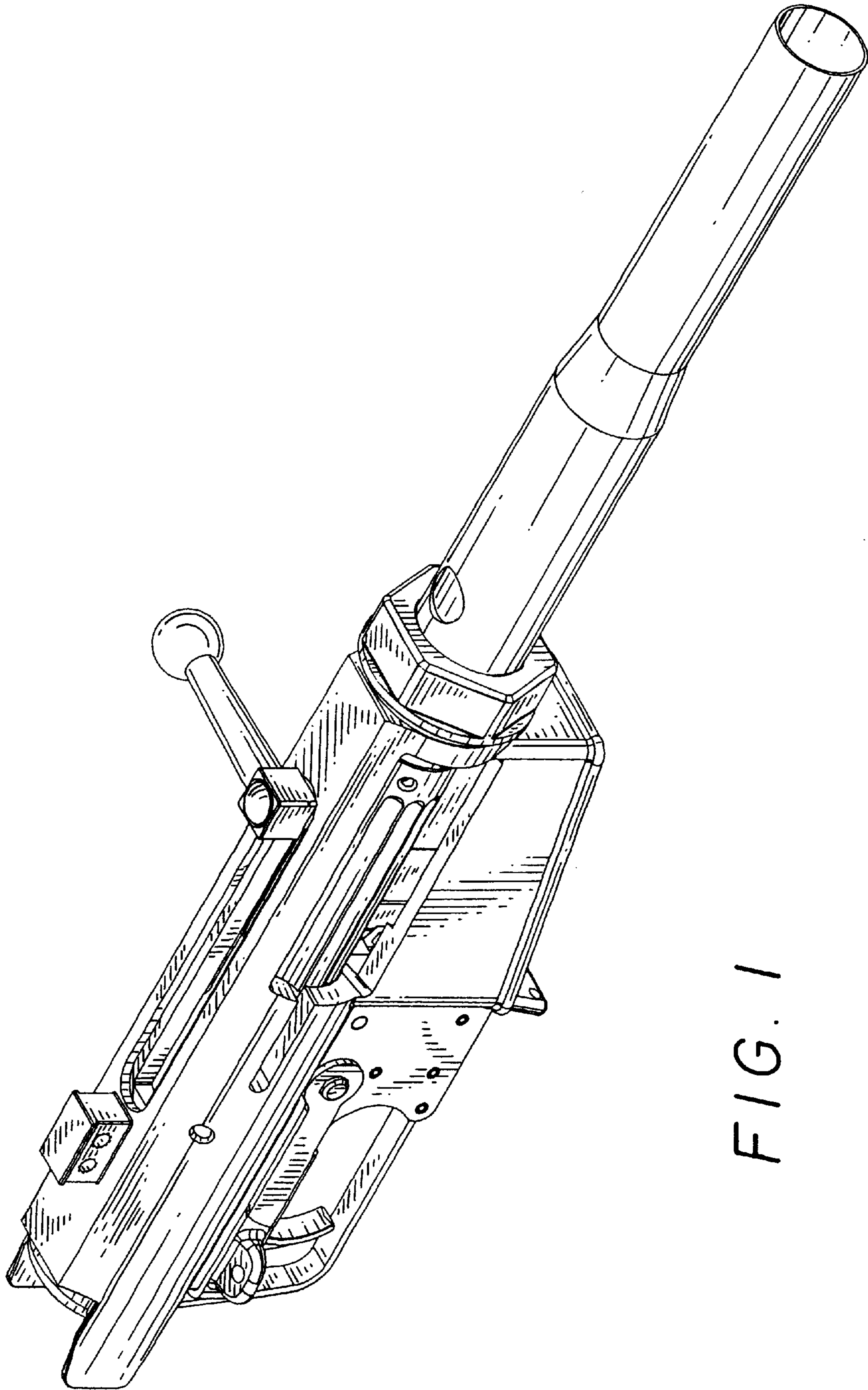


FIG. 1

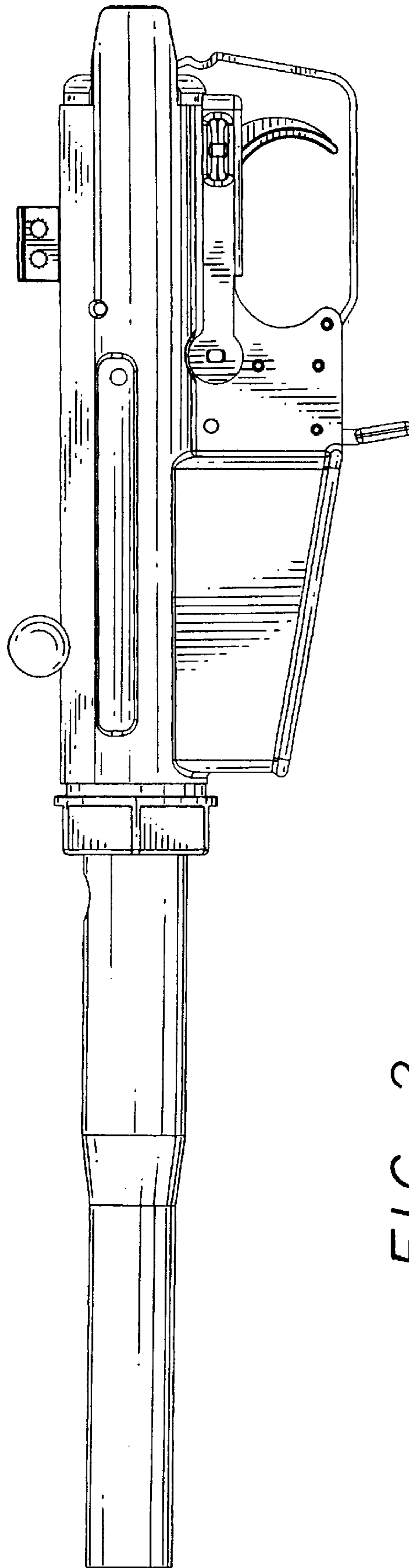


FIG. 2

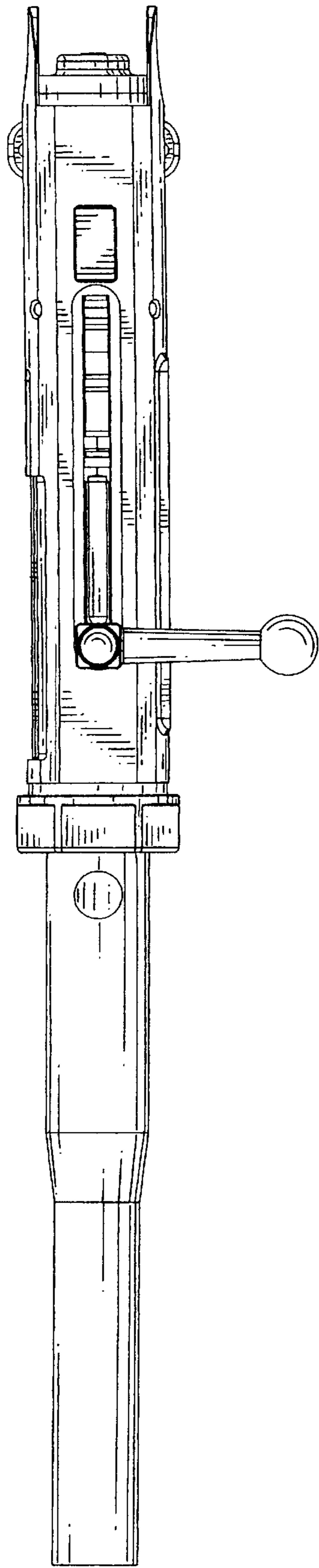


FIG. 3

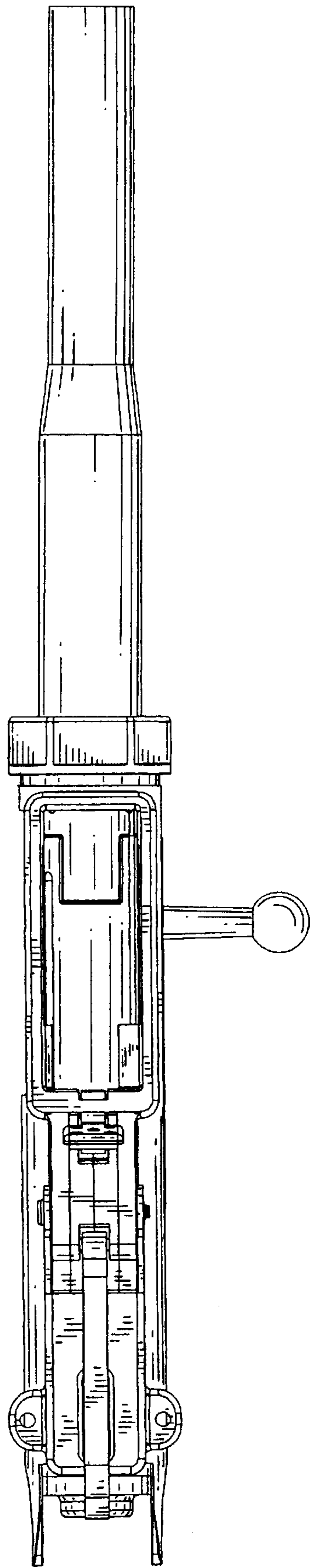


FIG. 4

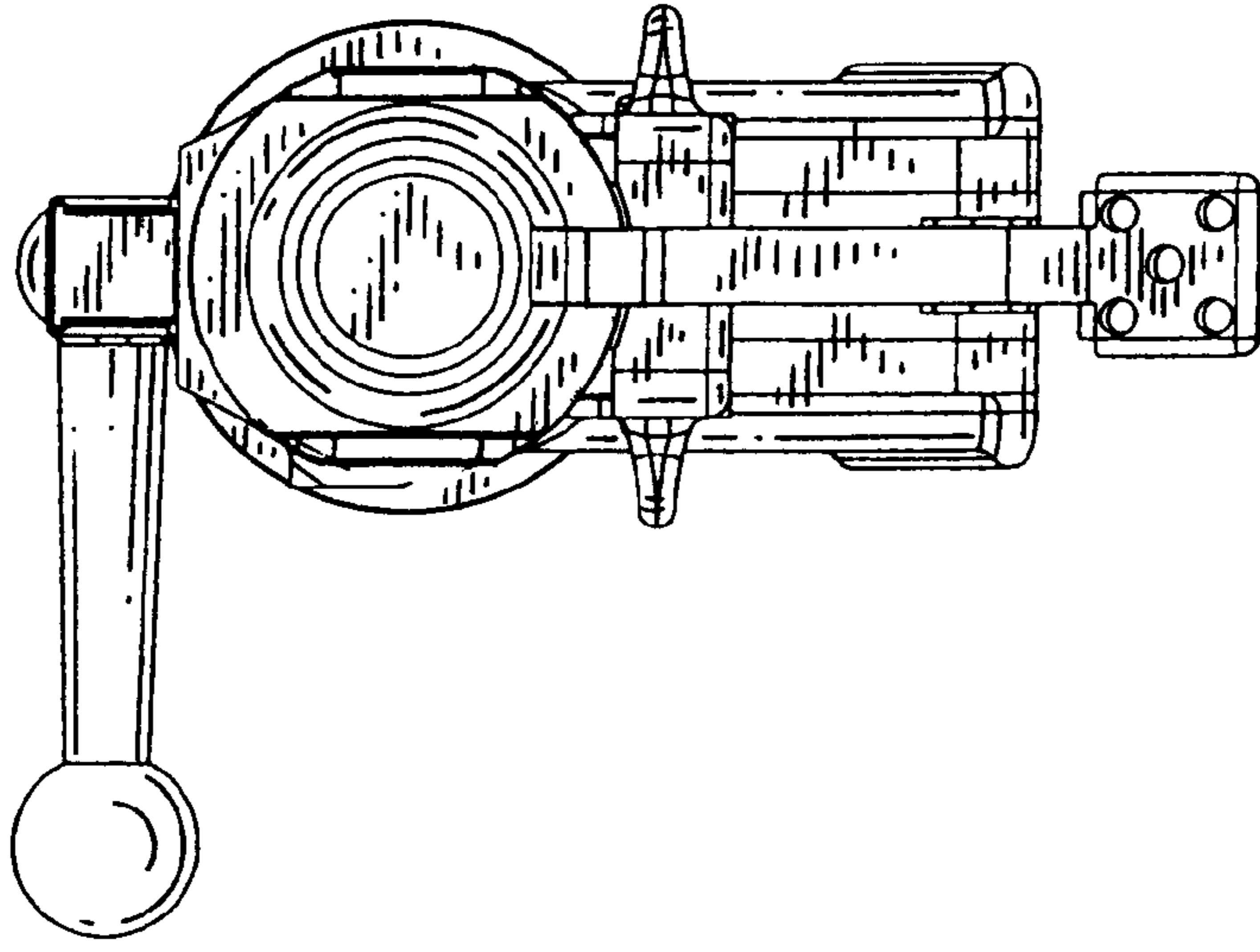


FIG. 6

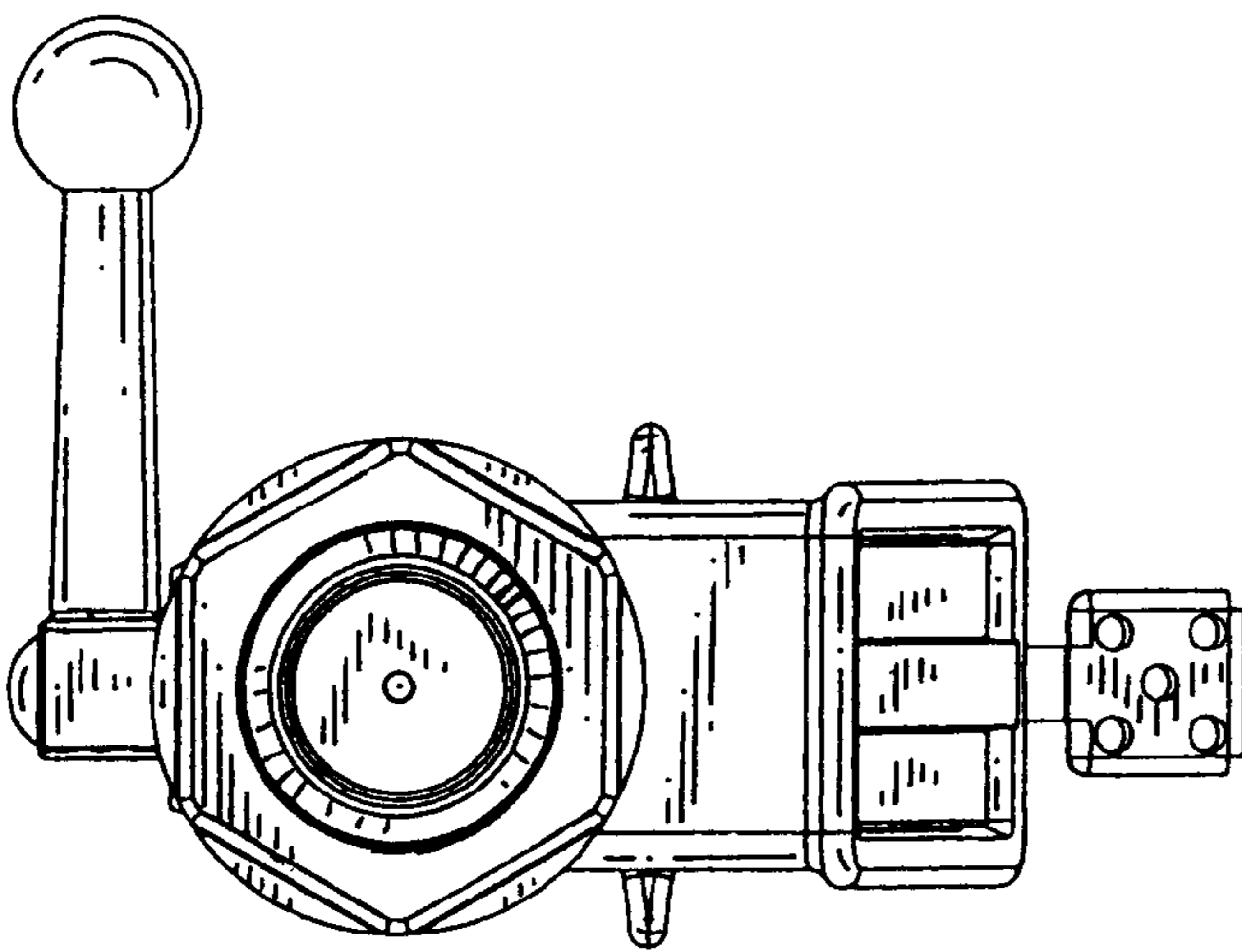


FIG. 5

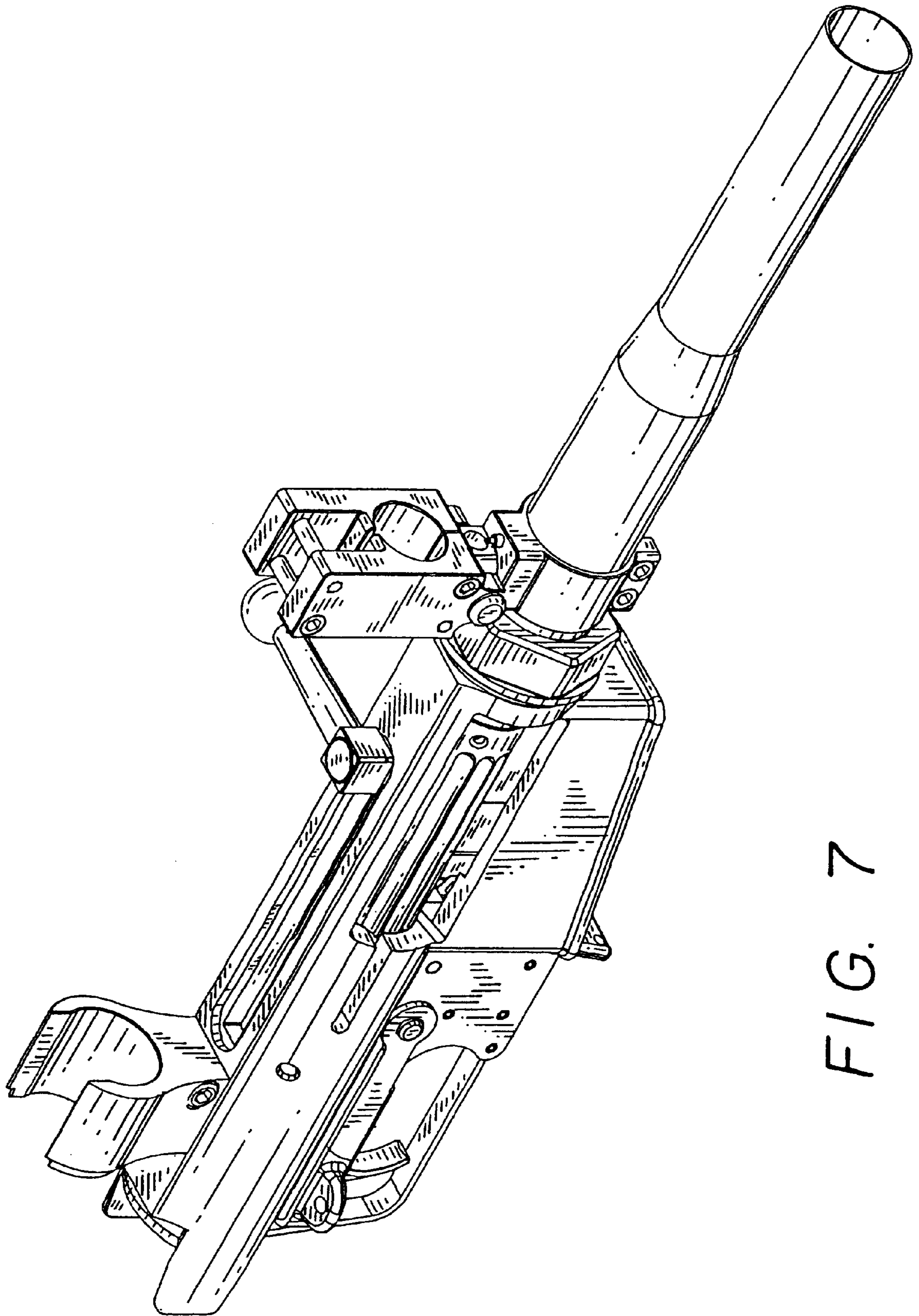


FIG. 7

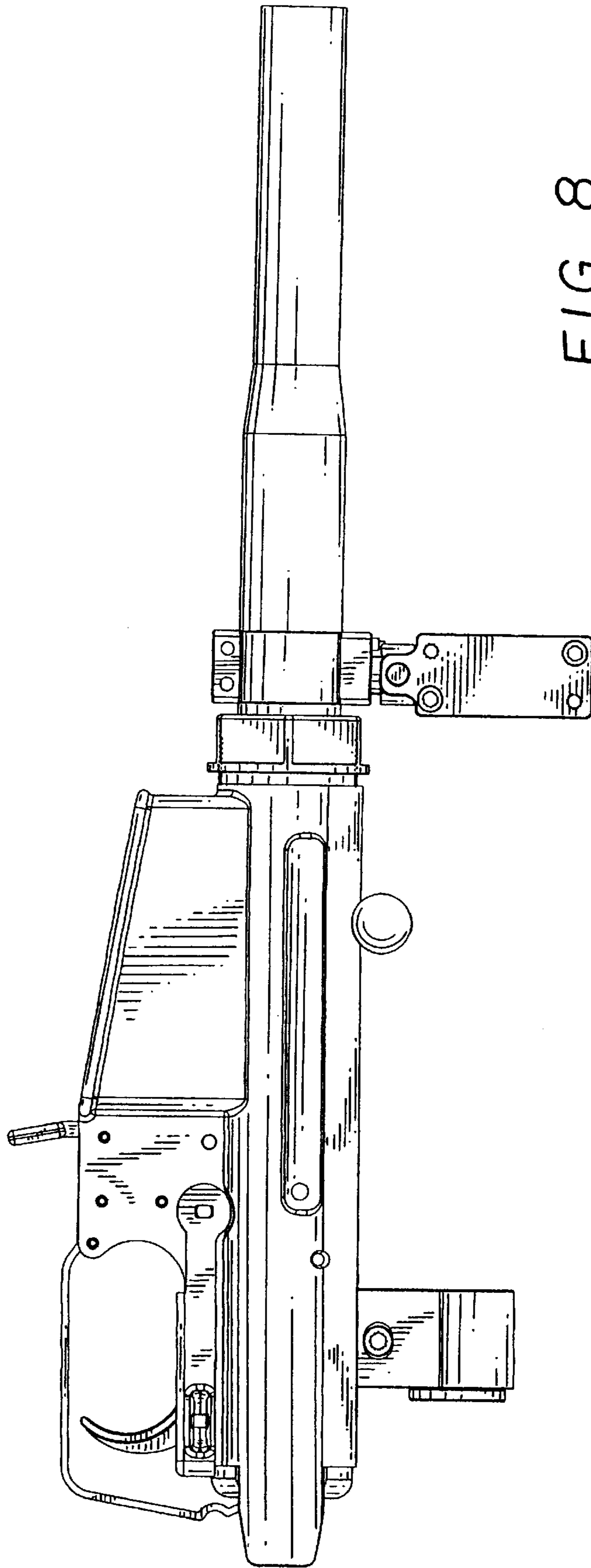


FIG. 8

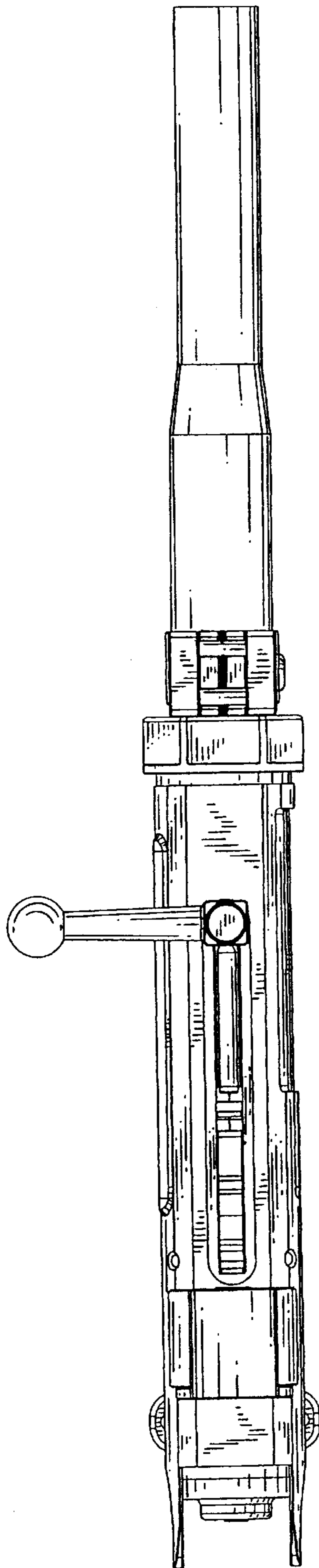


FIG. 9

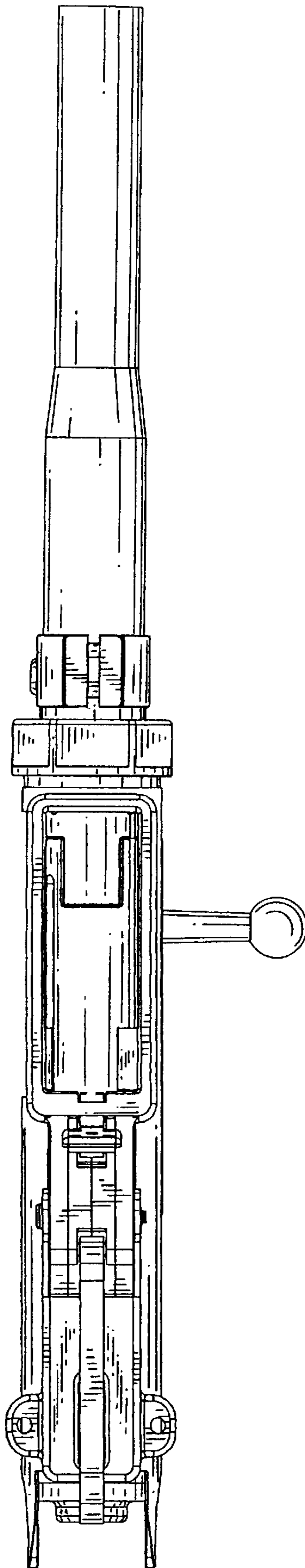


FIG. 10

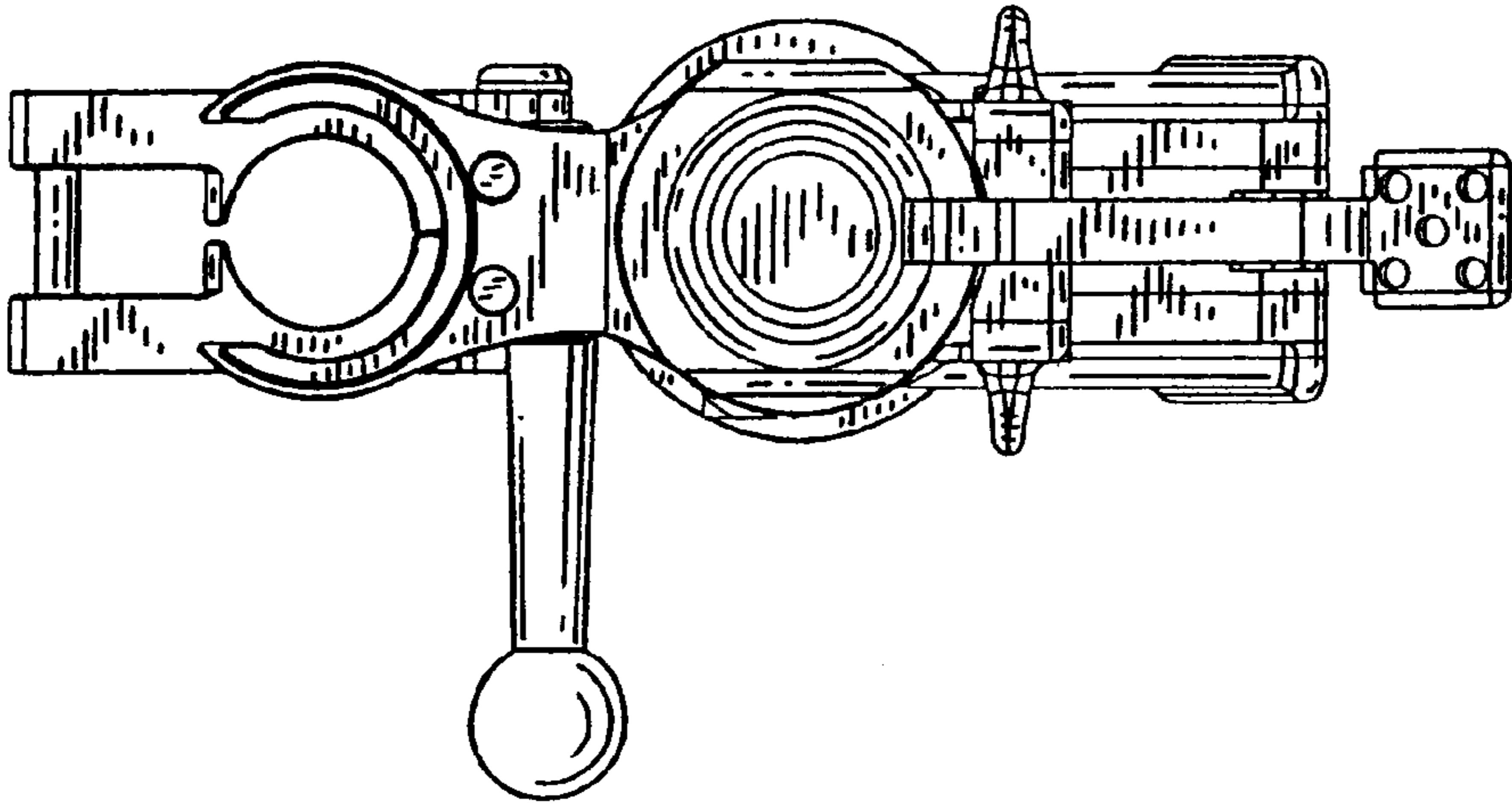


FIG. 12

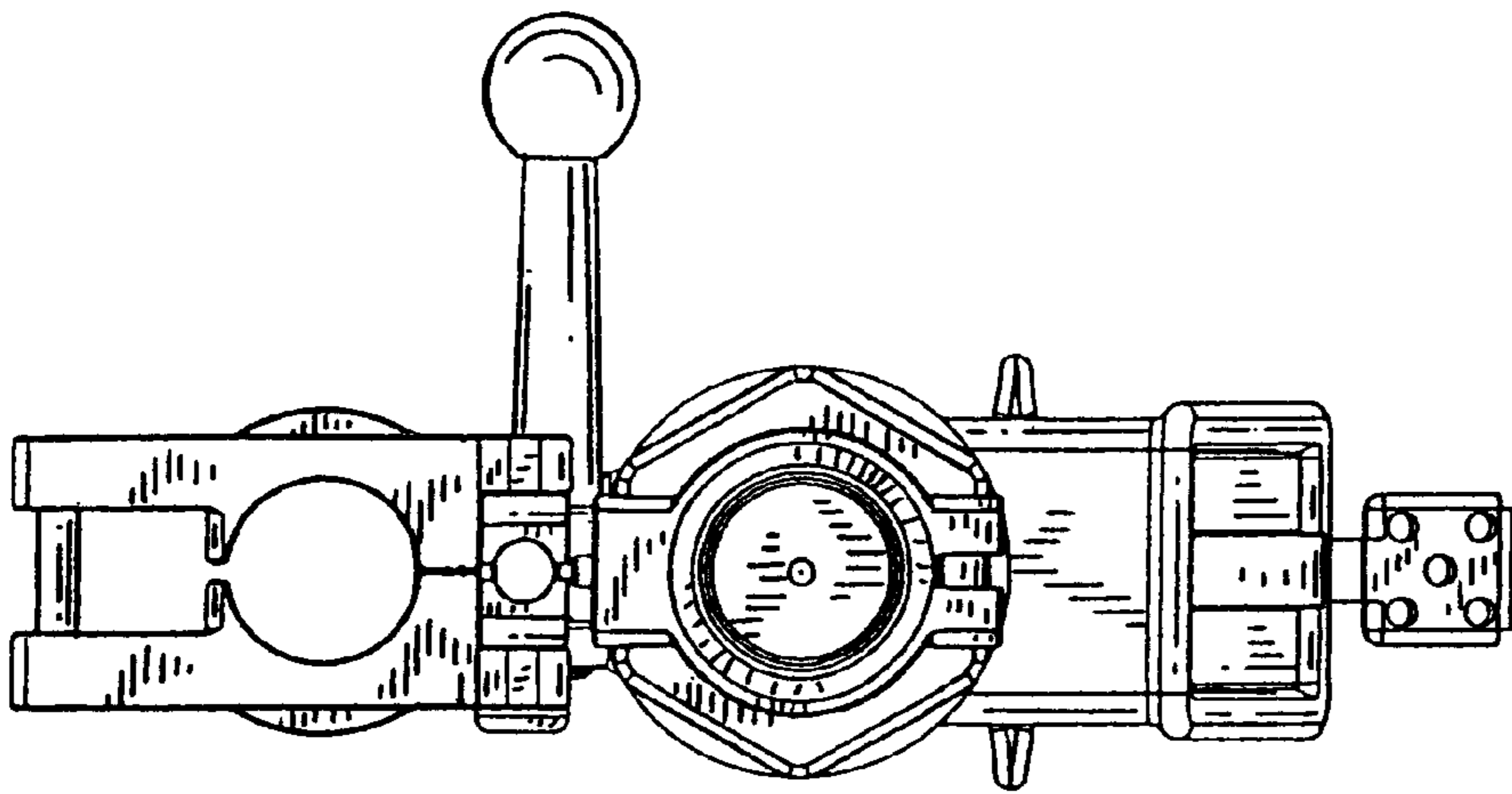


FIG. 11