



US00D473906S

(12) **United States Design Patent**
Schmid

(10) **Patent No.:** **US D473,906 S**

(45) **Date of Patent:** **** Apr. 29, 2003**

(54) **SURFACE CONFIGURATION OF A SKATEBOARD**

(75) **Inventor:** **Albert Schmid, Unterschleissheim (DE)**

(73) **Assignee:** **Bayerische Motoren Werke Aktiengesellschaft, Munich (DE)**

(**) **Term:** **14 Years**

(21) **Appl. No.:** **29/166,241**

(22) **Filed:** **Aug. 26, 2002**

(30) **Foreign Application Priority Data**

Feb. 27, 2002 (DE) 4 02 01 722

(51) **LOC (7) Cl.** **21-02**

(52) **U.S. Cl.** **D21/765**

(58) **Field of Search** D21/419-435,
D21/533, 548-551, 760, 763, 765, 771;
280/87.01, 87.021, 87.03, 87.041, 87.042,
11.19, 11.28; 446/465, 470

(56) **References Cited**

U.S. PATENT DOCUMENTS

- 1,854,188 A * 4/1932 Gregory
- D302,993 S * 8/1989 Heilig
- 5,458,351 A * 10/1995 Yu 280/87.042
- 5,544,919 A * 8/1996 Tinkler 280/87.042
- 5,551,717 A * 9/1996 De Courcey Milne . 280/87.042
- D398,358 S * 9/1998 Jeffreys

- 5,803,473 A * 9/1998 Bouden 280/11.19
- 5,924,710 A * 7/1999 De Courcey Milne . 280/87.042
- 5,997,018 A * 12/1999 Lee 280/11.28
- D444,197 S 6/2001 Augustin D21/765

* cited by examiner

Primary Examiner—Raphael Barkai

(74) *Attorney, Agent, or Firm*—Crowell & Moring LLP

(57) **CLAIM**

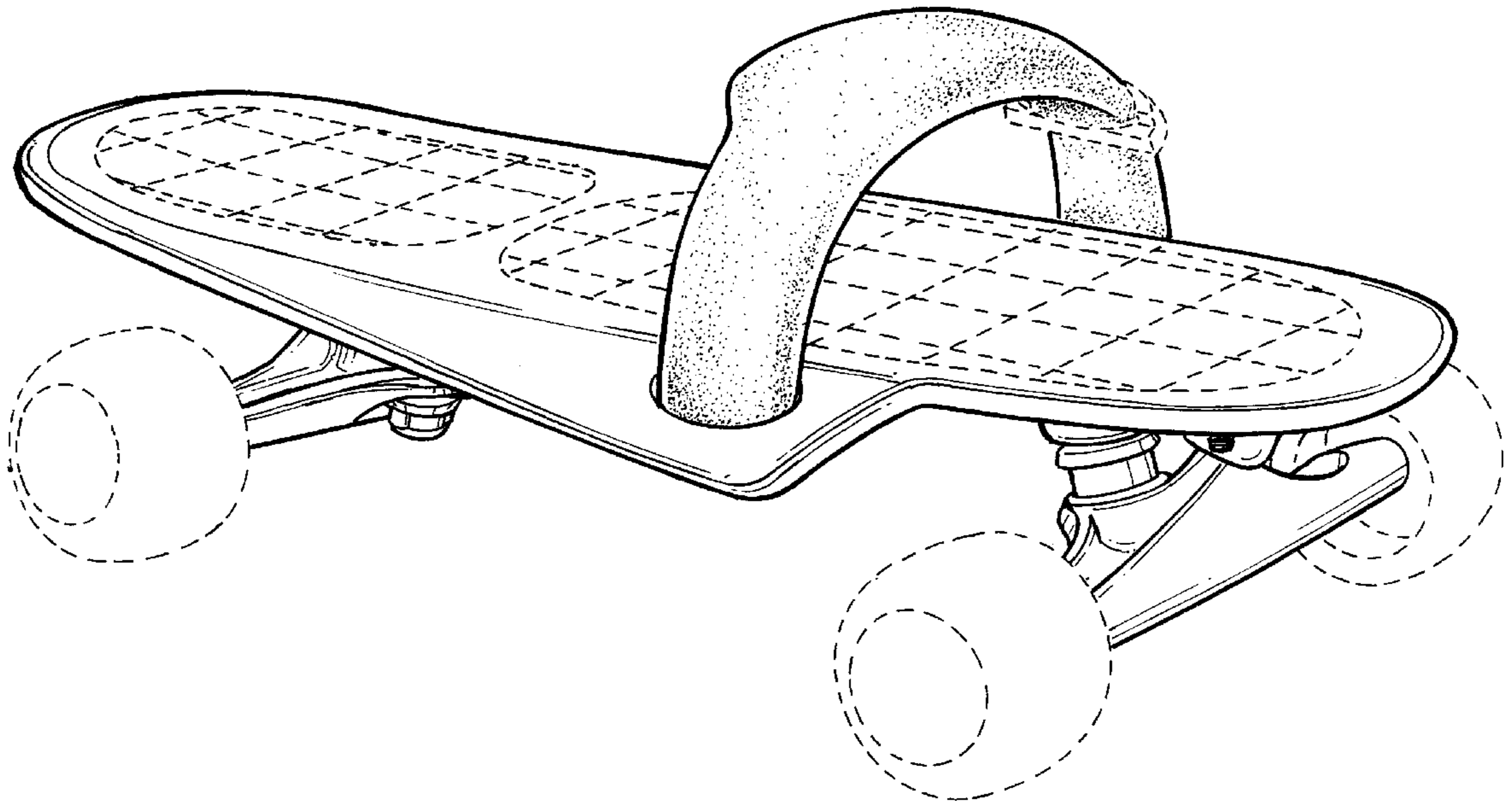
The ornamental design for a surface configuration of a skateboard, as shown and described.

DESCRIPTION

FIG. 1 is a right, front perspective view of a surface configuration of a skateboard according to my novel design, the left, front perspective view being mirror symmetrical; FIG. 2 is a left side view of the surface configuration of a skateboard according to my novel design; FIG. 3 is a right side view of the surface configuration of a skateboard according to my novel design; FIG. 4 is a front view of the surface configuration of a skateboard according to my novel design; FIG. 5 is a rear view of the surface configuration of a skateboard according to my novel design; and, FIG. 6 is a top view of the surface configuration of a skateboard according to my novel design.

The dash lines included depict environment and are not part of the claimed design. Also enclosed is a set of photographs of an embodiment of my invention.

1 Claim, 4 Drawing Sheets



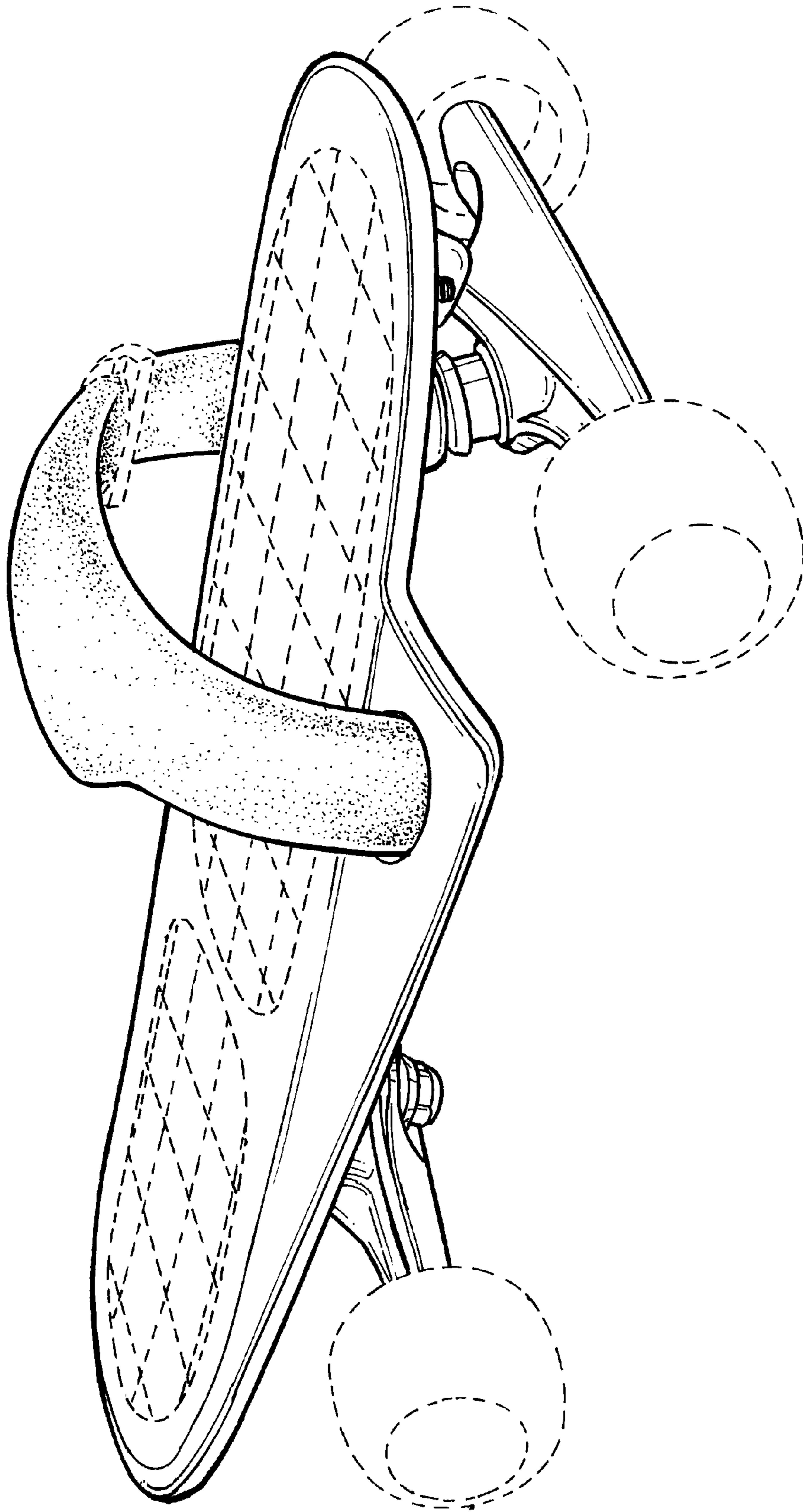


FIG. 1

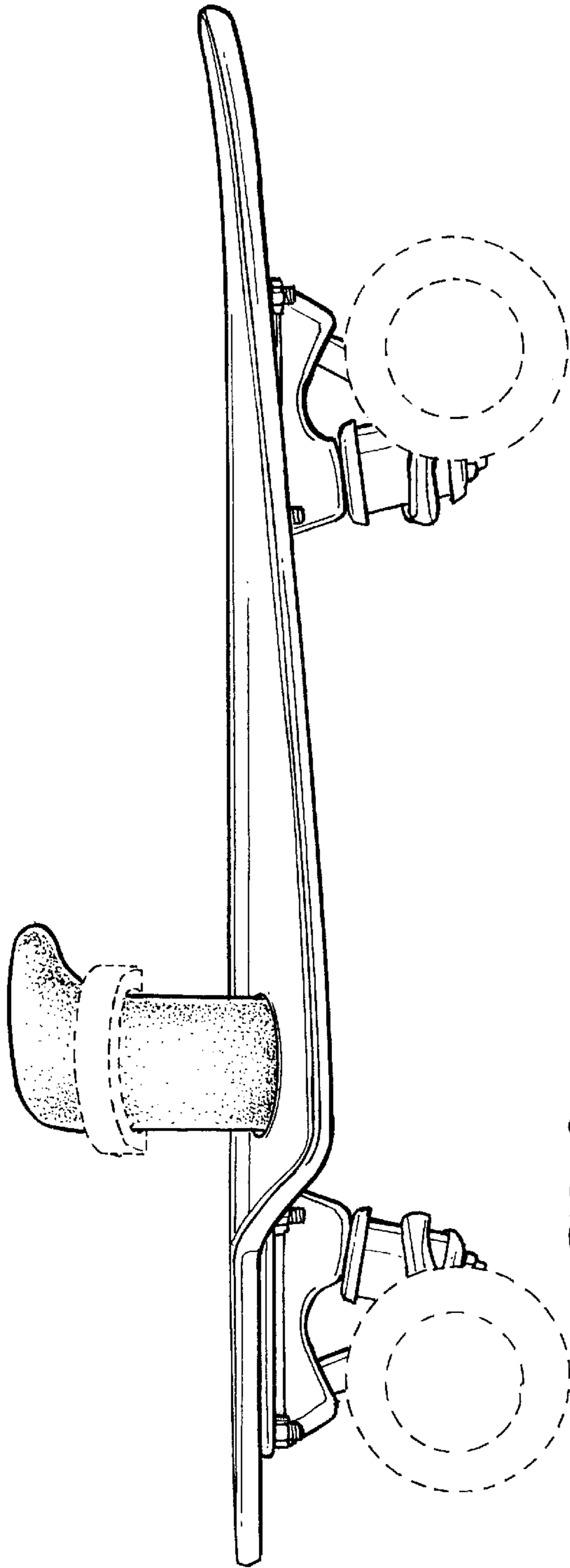


FIG. 2

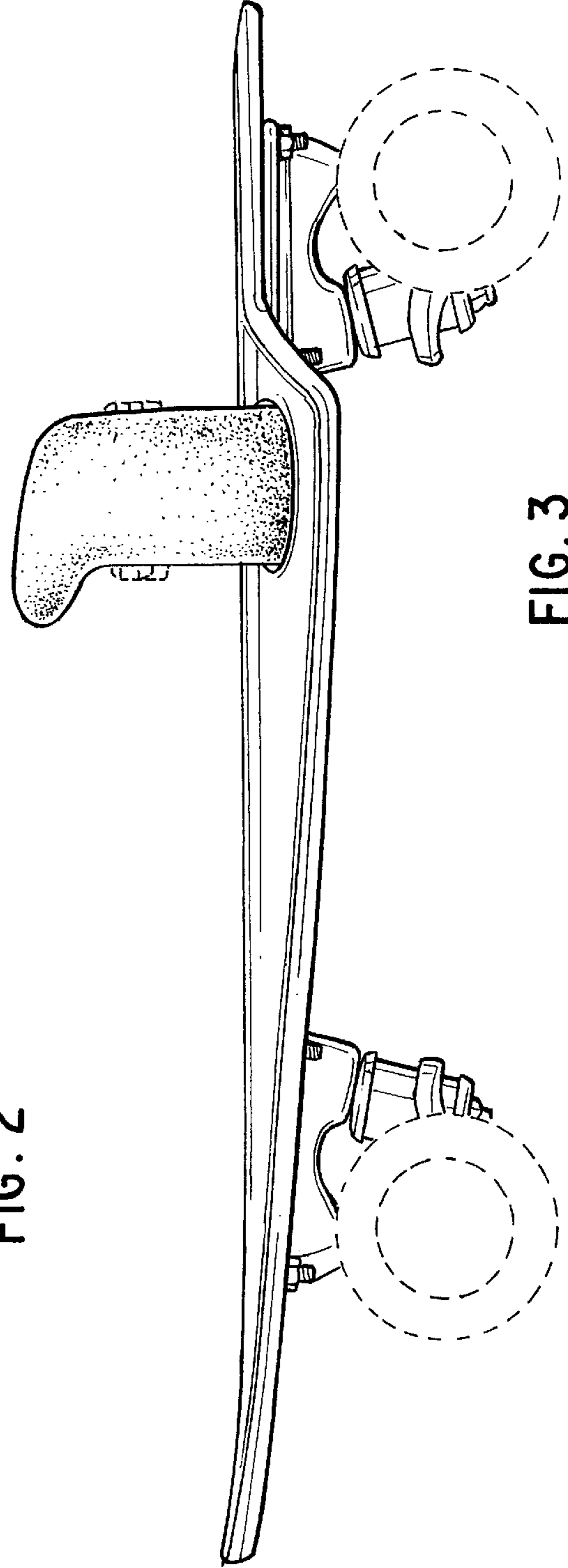


FIG. 3

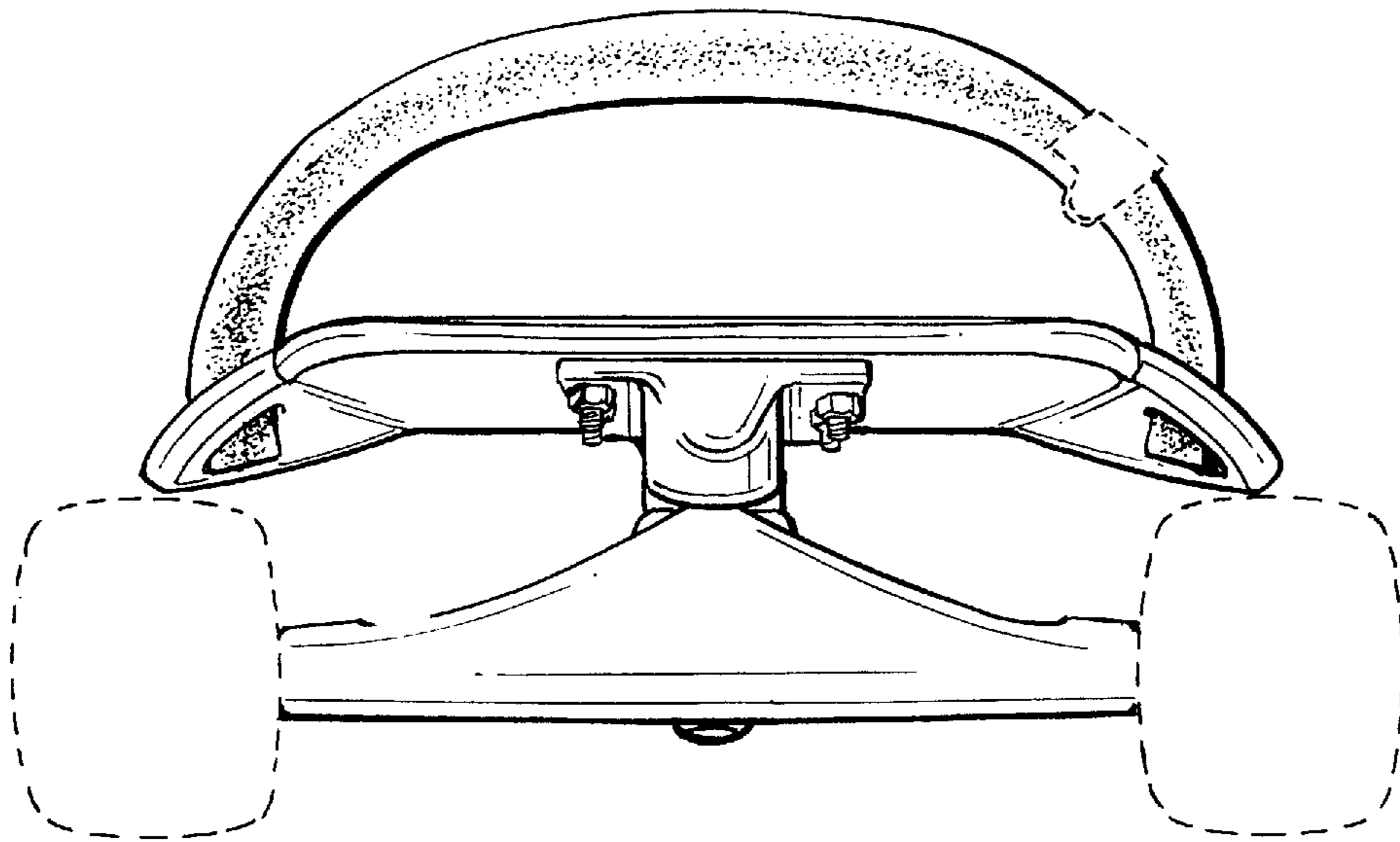


FIG. 4

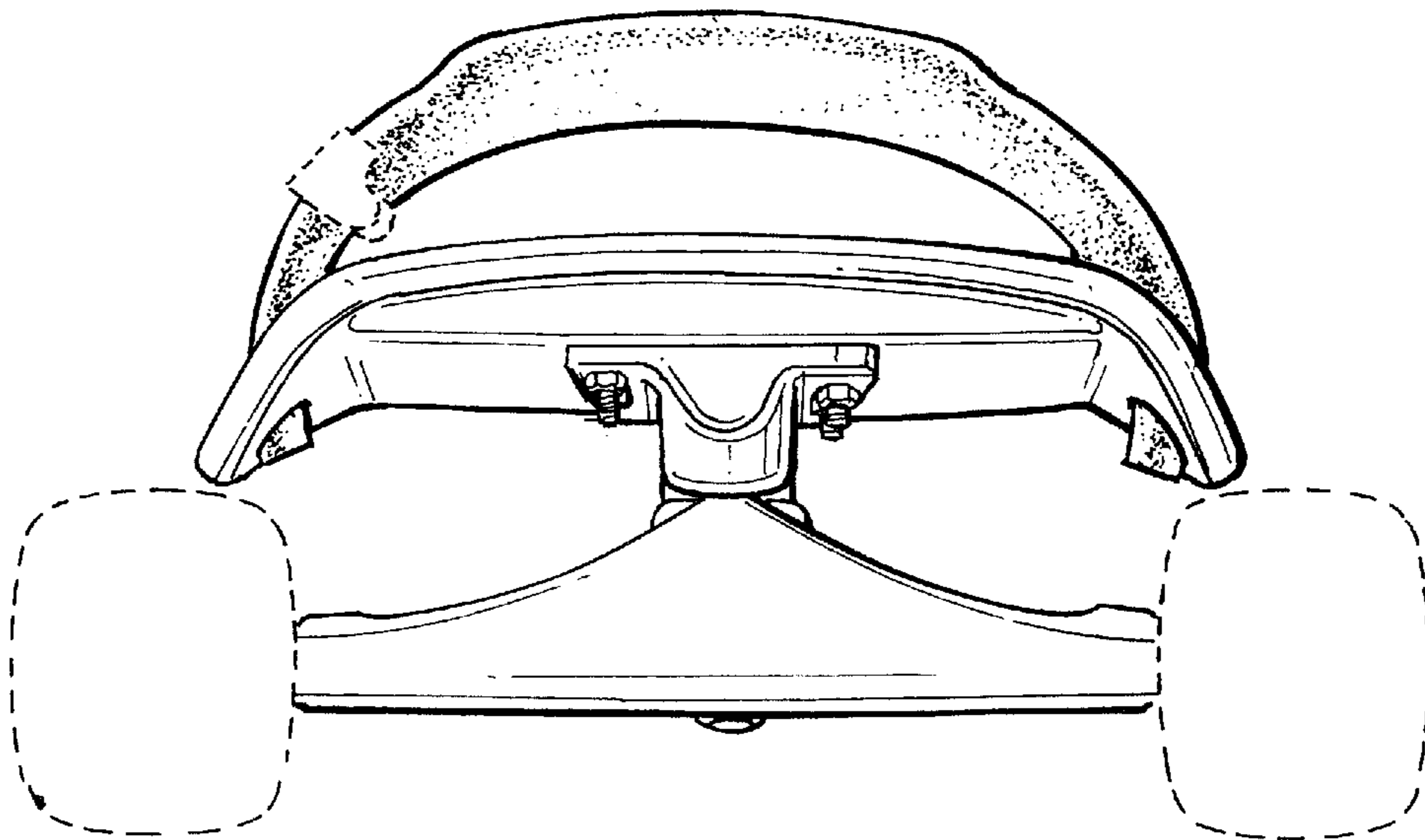


FIG. 5

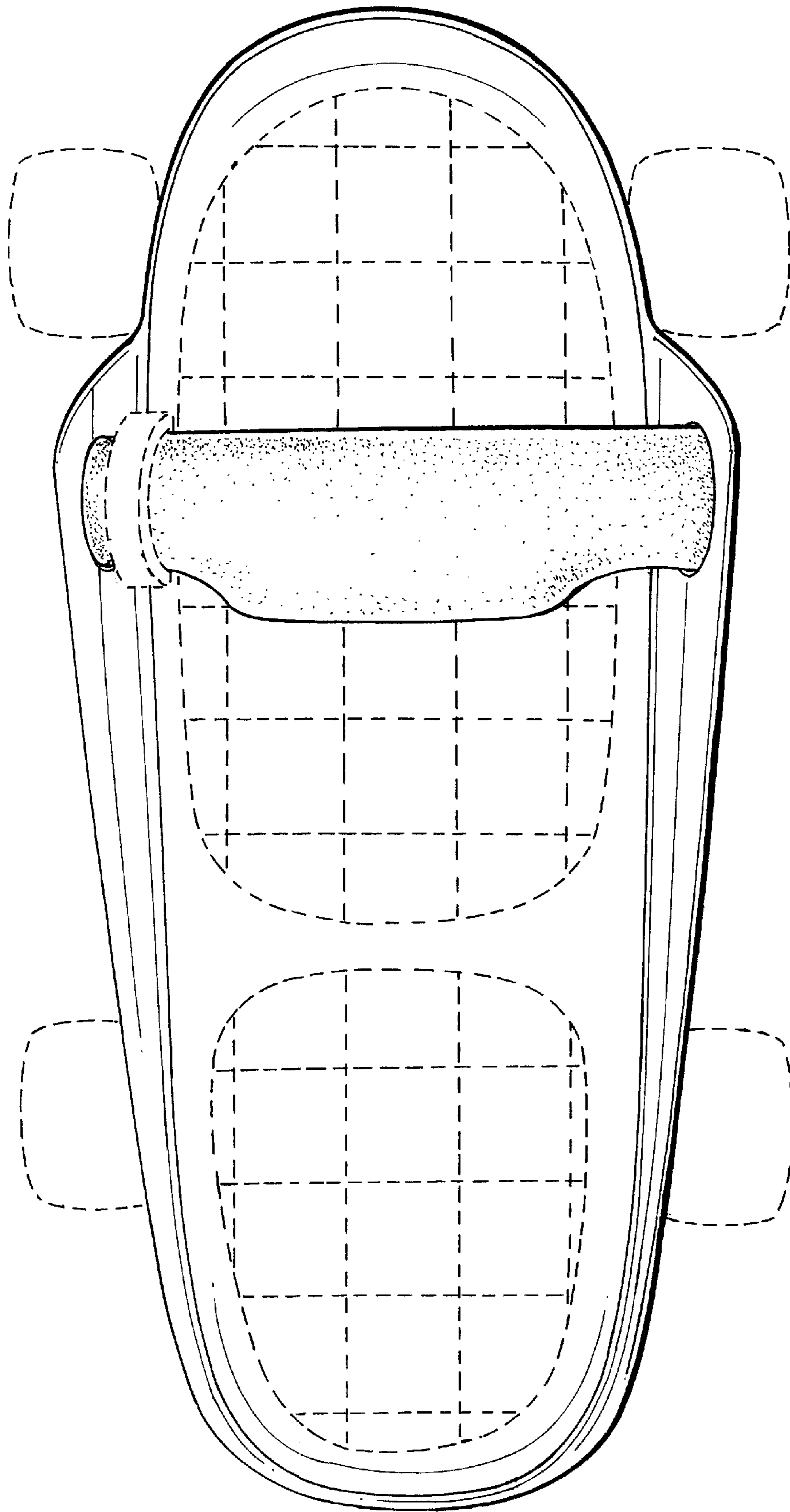


FIG. 6