



US00D473905S

(12) **United States Design Patent**  
**Schnuckle et al.**

(10) **Patent No.:** **US D473,905 S**

(45) **Date of Patent:** **\*\* Apr. 29, 2003**

(54) **FOLDABLE SKATEBOARD**

(75) Inventors: **Gary Schnuckle**, Altadena, CA (US);  
**David A. Powell**, Minneapolis, MN (US)

(73) Assignees: **Minson Enterprises Co., Ltd.**, Taipei (TW); **Stowbiz, LLC**, Blaine, MN (US)

(\*\*) Term: **14 Years**

(21) Appl. No.: **29/153,216**

(22) Filed: **Jan. 4, 2002**

(51) **LOC (7) Cl.** ..... **21-02**

(52) **U.S. Cl.** ..... **D21/765**

(58) **Field of Search** ..... D21/419-435,  
D21/533, 548-551, 760, 763, 765, 771;  
280/87.01, 87.021, 87.03, 87.041, 84.042,  
11.19, 11.28; 446/465, 470

5,417,444 A 5/1995 Chen ..... 280/87.042

5,505,474 A 4/1996 Yeh ..... 280/87.042

5,551,717 A \* 9/1996 De Courcey Milne . 280/87.042

5,769,438 A 6/1998 Svetlov ..... 280/87.041

D398,358 S \* 9/1998 Jeffreys

5,803,473 A \* 9/1998 Bouden ..... 280/11.19

5,924,710 A \* 7/1999 de Courcey Milne .. 280/87.042

5,997,018 A \* 12/1999 Lee ..... 280/11.28

6,131,931 A 10/2000 Globerson et al. .... 280/87.042

6,179,307 B1 1/2001 Mao ..... 280/87.041

6,199,880 B1 3/2001 Favorito et al. .... 280/87.042

6,206,387 B1 3/2001 Tsai ..... 280/87.041

6,213,484 B1 4/2001 Rohner ..... 280/87.042

6,217,058 B1 4/2001 Wang et al. .... 280/655.1

6,270,097 B1 8/2001 Lin ..... 280/87.05

6,318,741 B1 11/2001 Chen ..... 280/87.041

\* cited by examiner

*Primary Examiner*—Raphael Barkai  
(74) *Attorney, Agent, or Firm*—Kinney & Lange, P.A.

(57) **CLAIM**

The ornamental design for a foldable skateboard, as shown and described.

**DESCRIPTION**

FIG. 1 is a perspective view of the present invention; FIG. 2 is a right side elevational view thereof; FIG. 3 is a left side elevational view thereof; FIG. 4 is a front view thereof; FIG. 5 is a rear view thereof; FIG. 6 is a top view thereof; and, FIG. 7 is a bottom view thereof.

**1 Claim, 5 Drawing Sheets**

(56) **References Cited**

**U.S. PATENT DOCUMENTS**

1,483,033 A 2/1924 Wisman

1,854,188 A \* 4/1932 Gregory

2,986,406 A 5/1961 Kahl ..... 280/253

4,076,267 A 2/1978 Lipscomb ..... 280/87.04

4,082,306 A 4/1978 Sheldon ..... 280/87.04

4,225,145 A 9/1980 Carr ..... 280/7.14

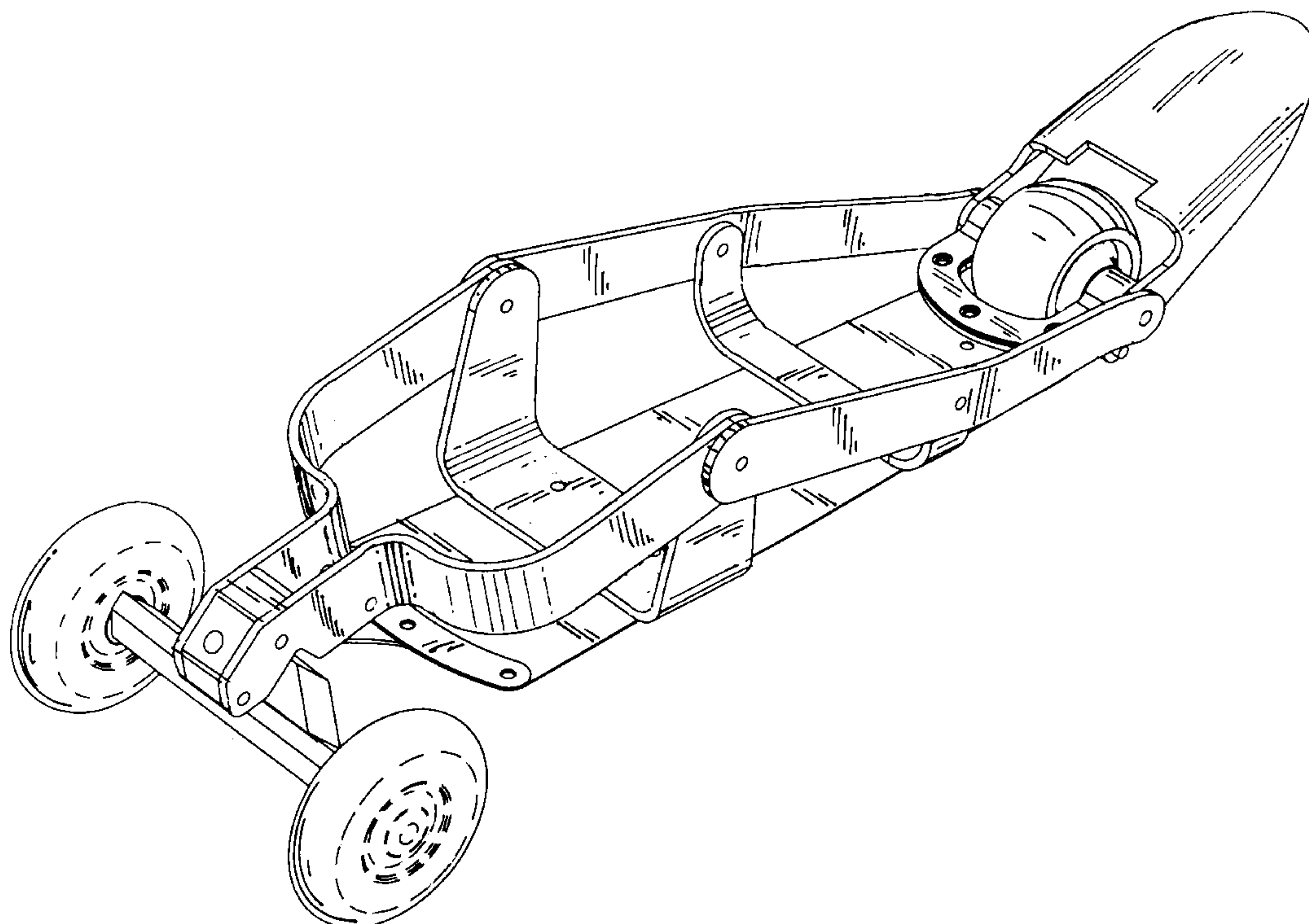
4,645,223 A 2/1987 Grossman ..... 280/11.28

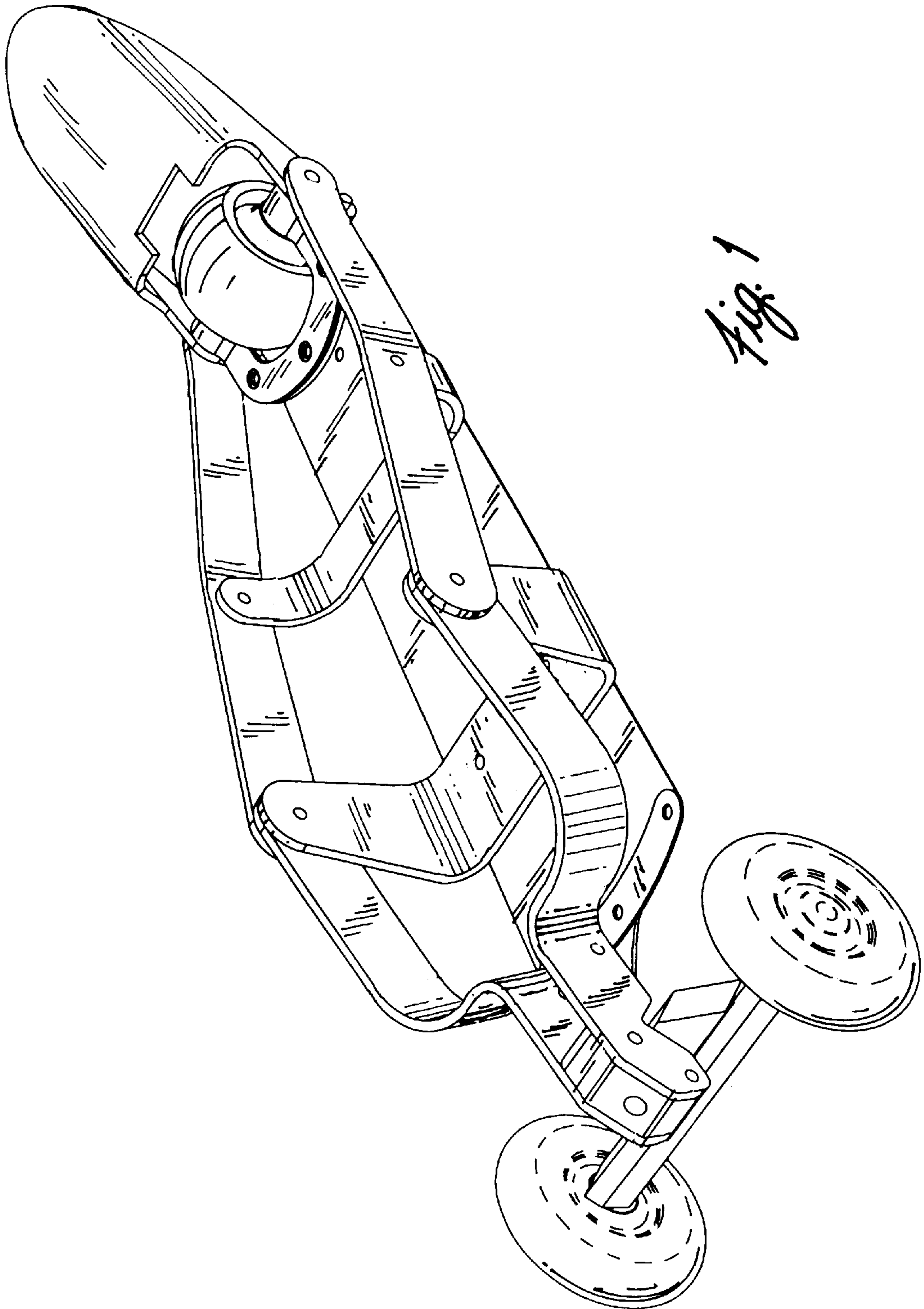
D302,993 S \* 8/1989 Heilig

4,861,054 A 8/1989 Spital ..... 280/221

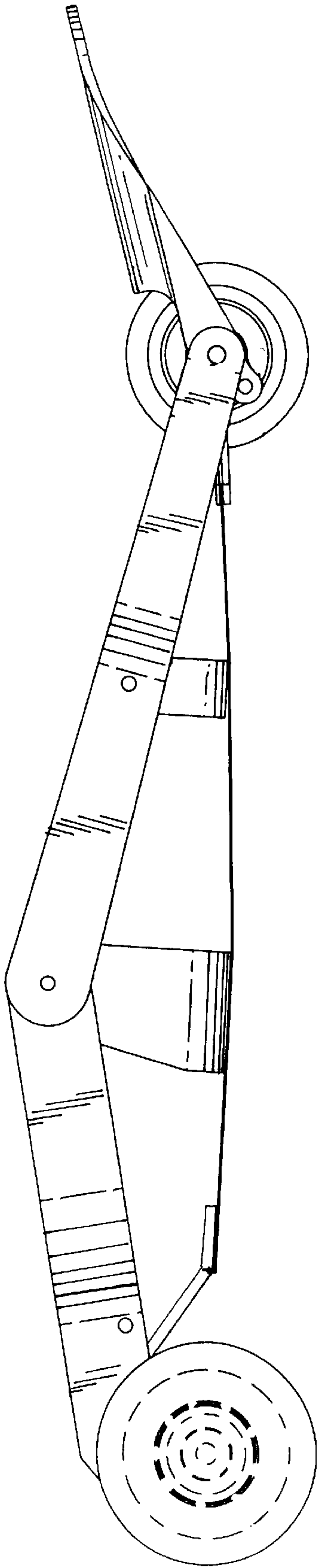
4,955,626 A 9/1990 Smith et al. .... 280/87.042

5,029,887 A 7/1991 Grutzner et al. .... 280/242.1



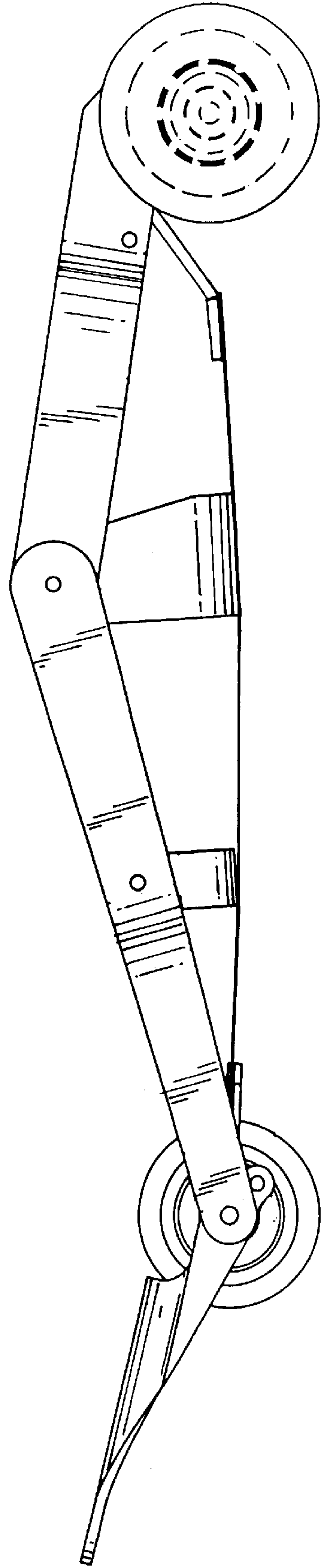


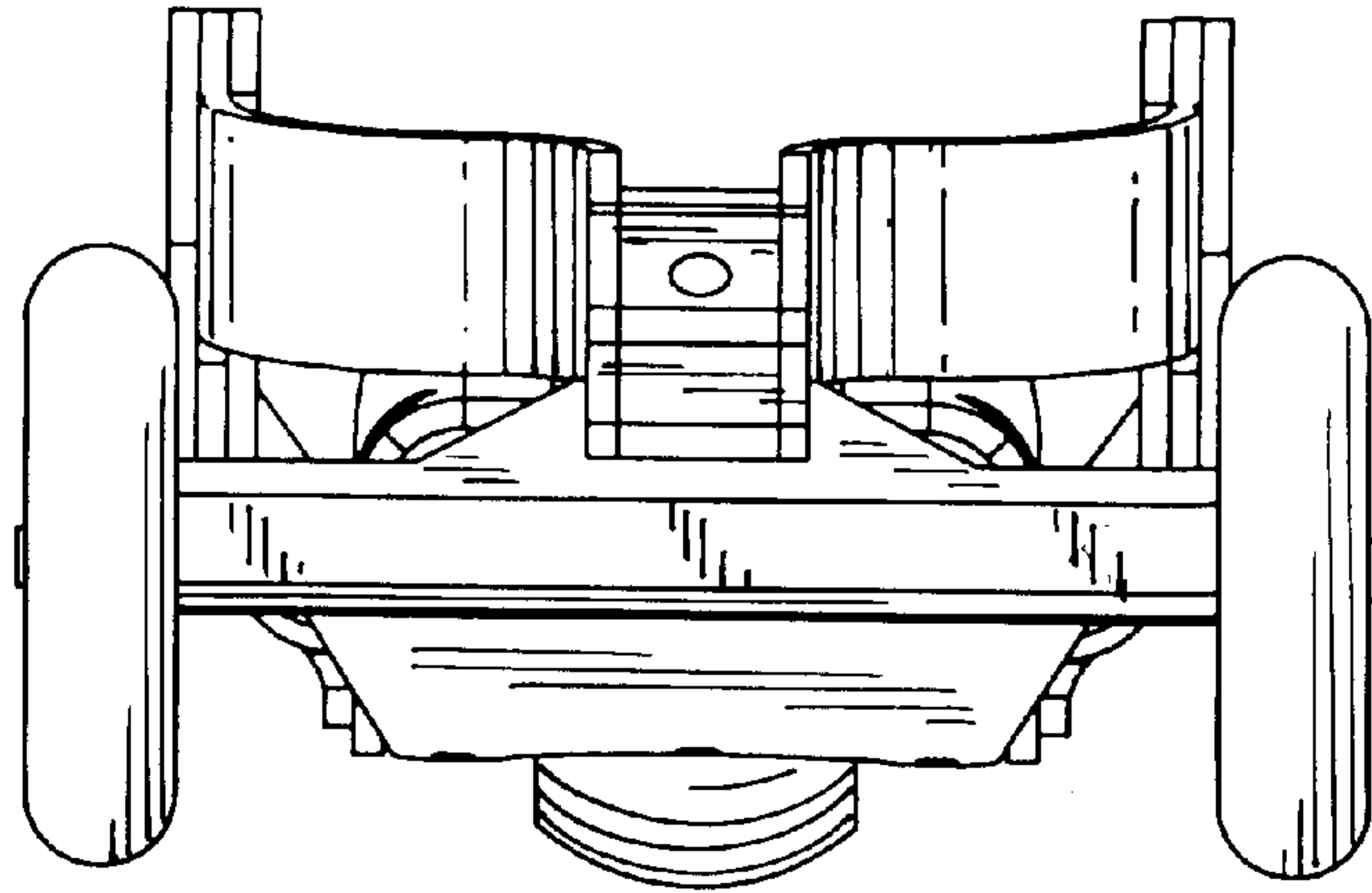
*Fig. 1*



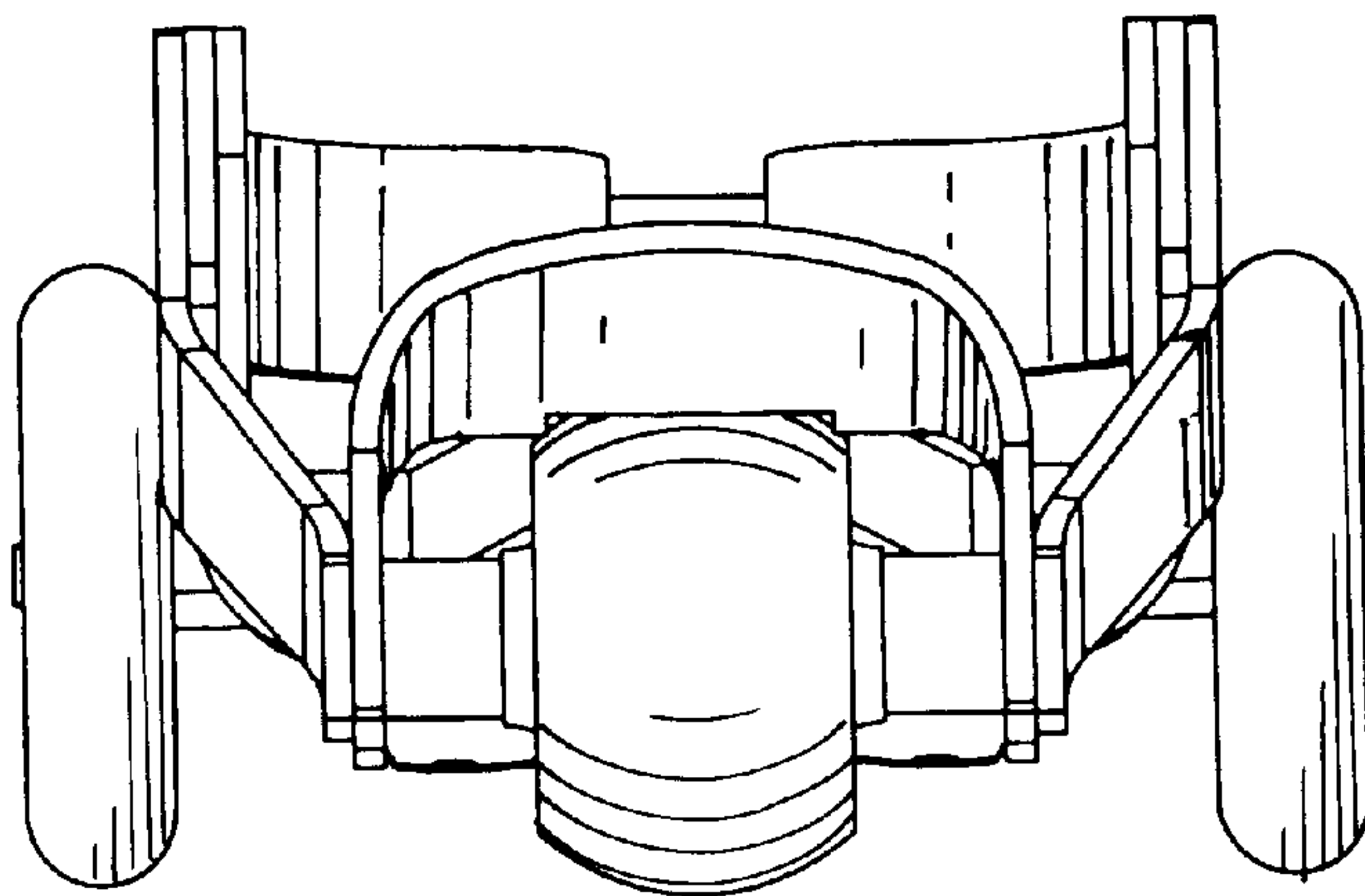
*Fig. 2*

*Fig. 3*



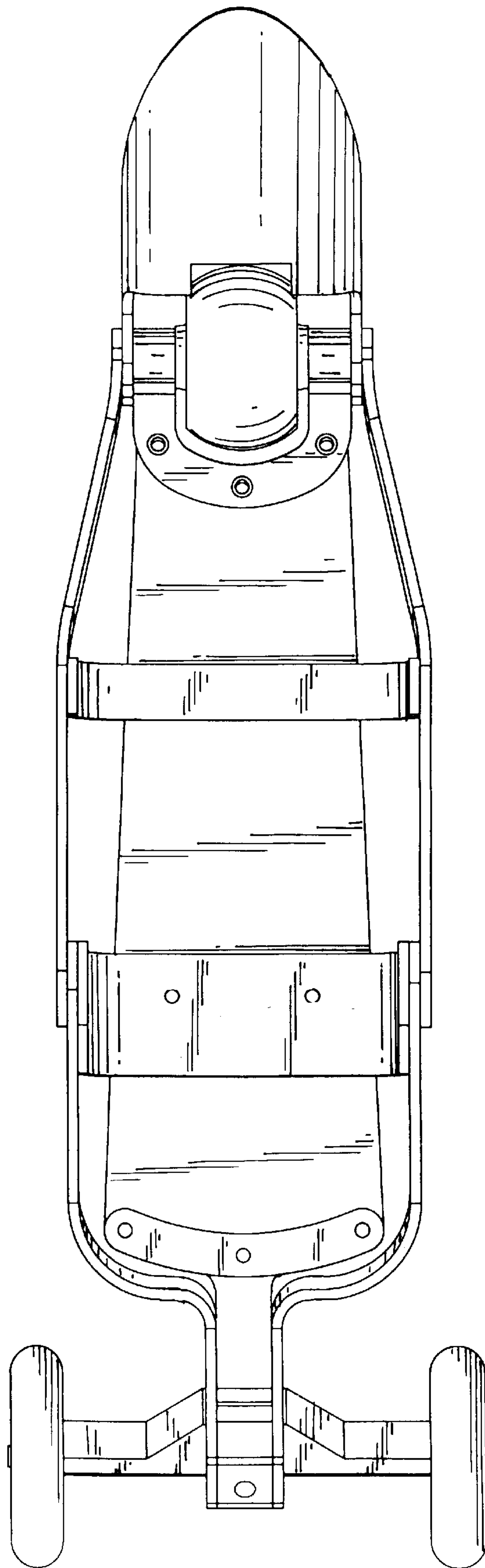


*Fig. 4*

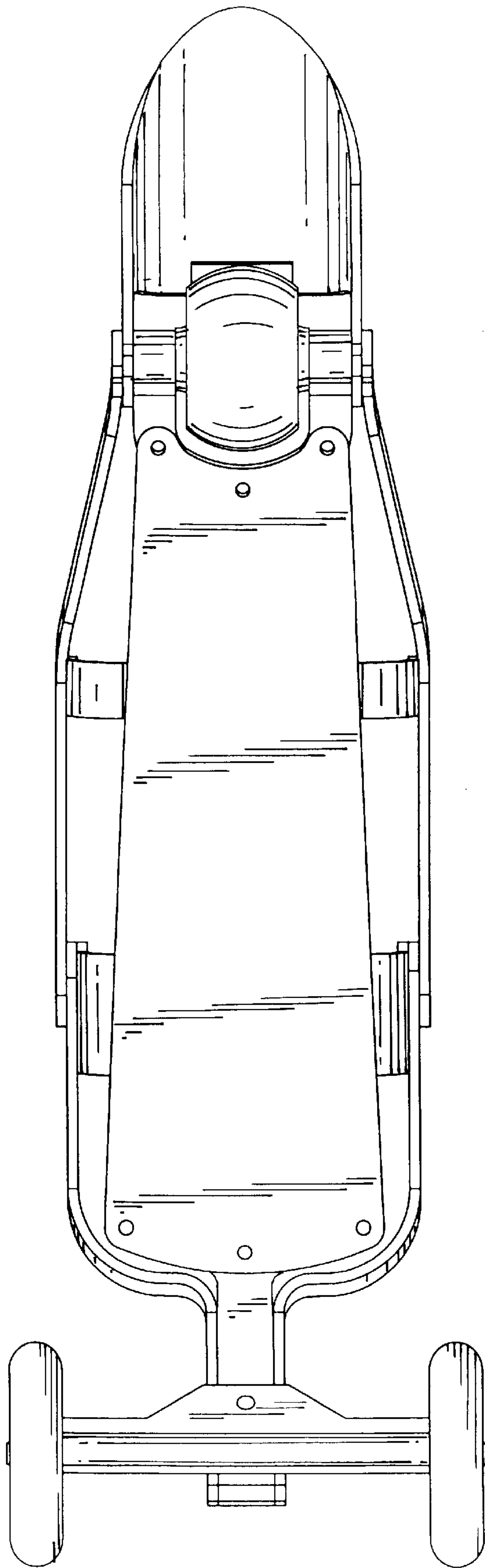


*Fig. 5*





*Fig. 6*



*Fig. 7*

UNITED STATES PATENT AND TRADEMARK OFFICE  
**CERTIFICATE OF CORRECTION**

PATENT NO. : Des. 473,905 S  
DATED : April 29, 2003  
INVENTOR(S) : Gary Schnuckle et al.

Page 1 of 1

It is certified that error appears in the above-identified patent and that said Letters Patent is hereby corrected as shown below:

Title page,

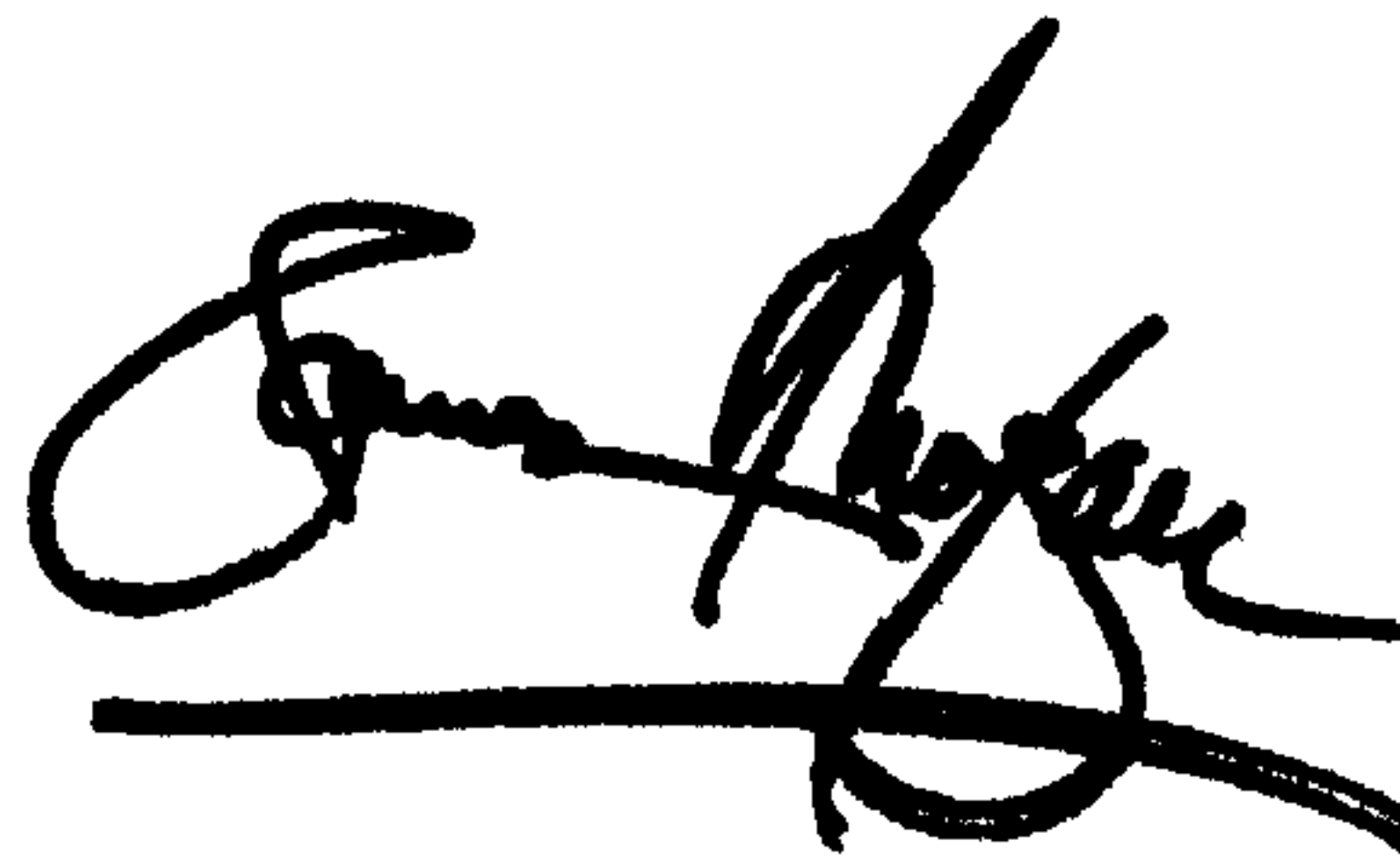
Item [56], U.S. PATENT DOCUMENTS, for reference 5,924,710, delete  
“de”, insert -- DE --

Item [57], **CLAIM,**

Delete “foldable skateboard”, insert -- FOLDABLE SKATEBOARD --

Signed and Sealed this

Ninth Day of September, 2003

A handwritten signature in black ink, appearing to read "James E. Rogan", with a horizontal line drawn underneath it.

JAMES E. ROGAN

*Director of the United States Patent and Trademark Office*