



US00D473904S

(12) **United States Design Patent**  
**Llewellyn et al.**

(10) **Patent No.:** **US D473,904 S**

(45) **Date of Patent:** **\*\* Apr. 29, 2003**

(54) **RECESSED BACK OF A GOLF CLUB HEAD**

(75) Inventors: **David G. Llewellyn**, Duluth, GA (US);  
**Harry B. Taylor**, Old Hickory, TN  
(US); **Mamoru Saraie**, Osaka (JP)

(73) Assignee: **Mizuno Corporation**, Osaka (JP)

(\*\*) Term: **14 Years**

(21) Appl. No.: **29/157,595**

(22) Filed: **Mar. 21, 2002**

(51) **LOC (7) Cl.** ..... **21-02**

(52) **U.S. Cl.** ..... **D21/759**

(58) **Field of Search** ..... D21/747-751,  
D21/759; 473/324, 327-331, 350

(56) **References Cited**

**U.S. PATENT DOCUMENTS**

D417,248 S	11/1999	Matsuo	
D428,633 S	* 7/2000	Hasebe'	..... D21/748
D437,902 S	2/2001	Persinger	
D441,821 S	* 5/2001	Turner	..... D21/747
D446,566 S	8/2001	McCabe et al.	
D454,932 S	* 3/2002	Mahaffey et al.	..... D21/747

**OTHER PUBLICATIONS**

“Tour Premium Forged Irons”, [http://www.preceptgolf.com/products/tour\\_premium\\_iron.html](http://www.preceptgolf.com/products/tour_premium_iron.html) At least as early as Oct. 18, 2001.

“Tour Premium Cavity Back Irons”, [http://www.precept-golf.com/products/tour\\_premium\\_CB\\_iron.html](http://www.precept-golf.com/products/tour_premium_CB_iron.html) At least as early as Oct. 18, 2001.

\* cited by examiner

*Primary Examiner*—Mitchell Siegel

(74) *Attorney, Agent, or Firm*—Troutman Sanders LLP;  
Gerald R. Boss, Esq.

(57) **CLAIM**

The ornamental design for a recessed back of a golf club head, as shown and described.

**DESCRIPTION**

FIG. 1 is a perspective view of the recessed back portion of a golf club head;

FIG. 2 is a elevational view;

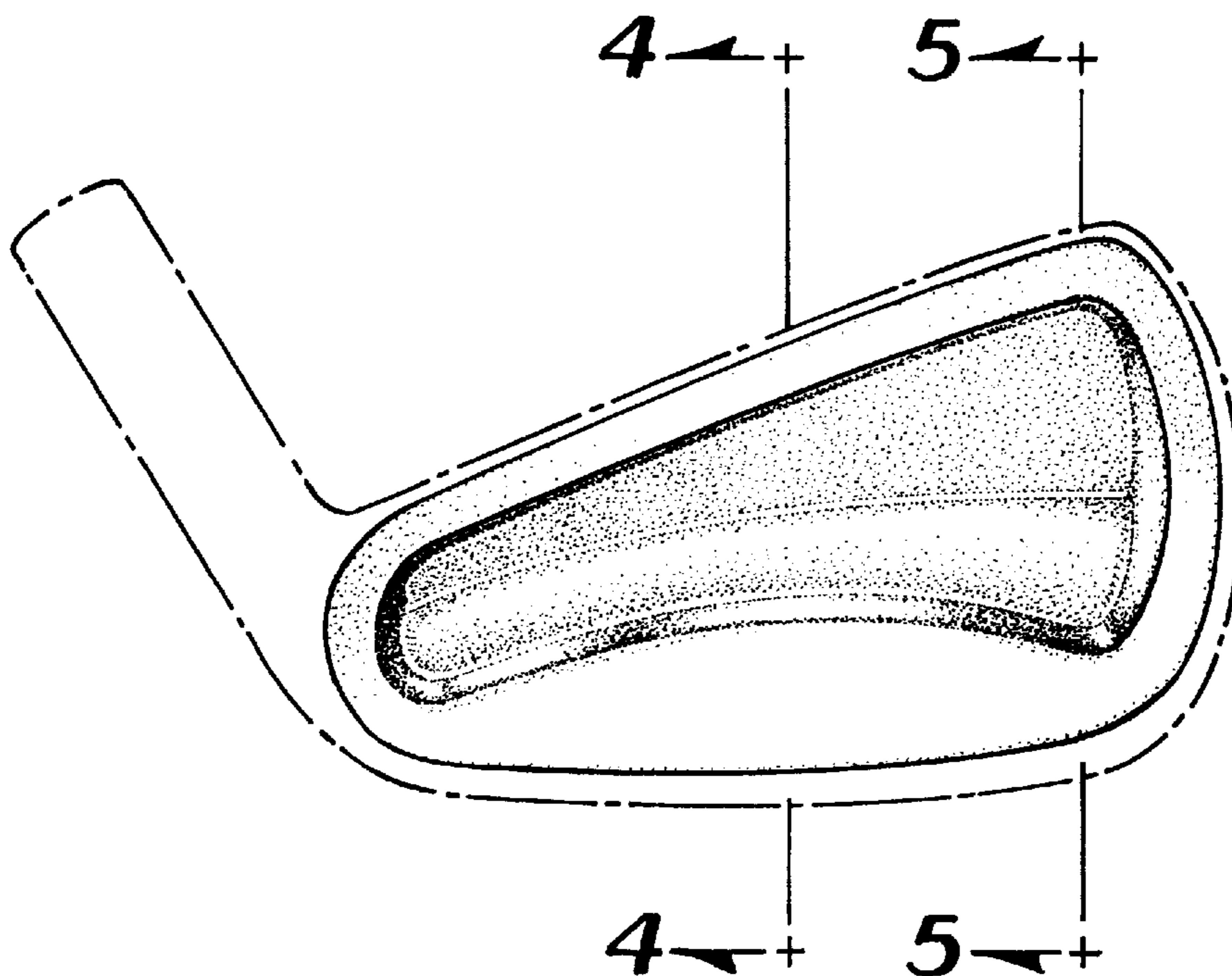
FIG. 3 is a top plan view;

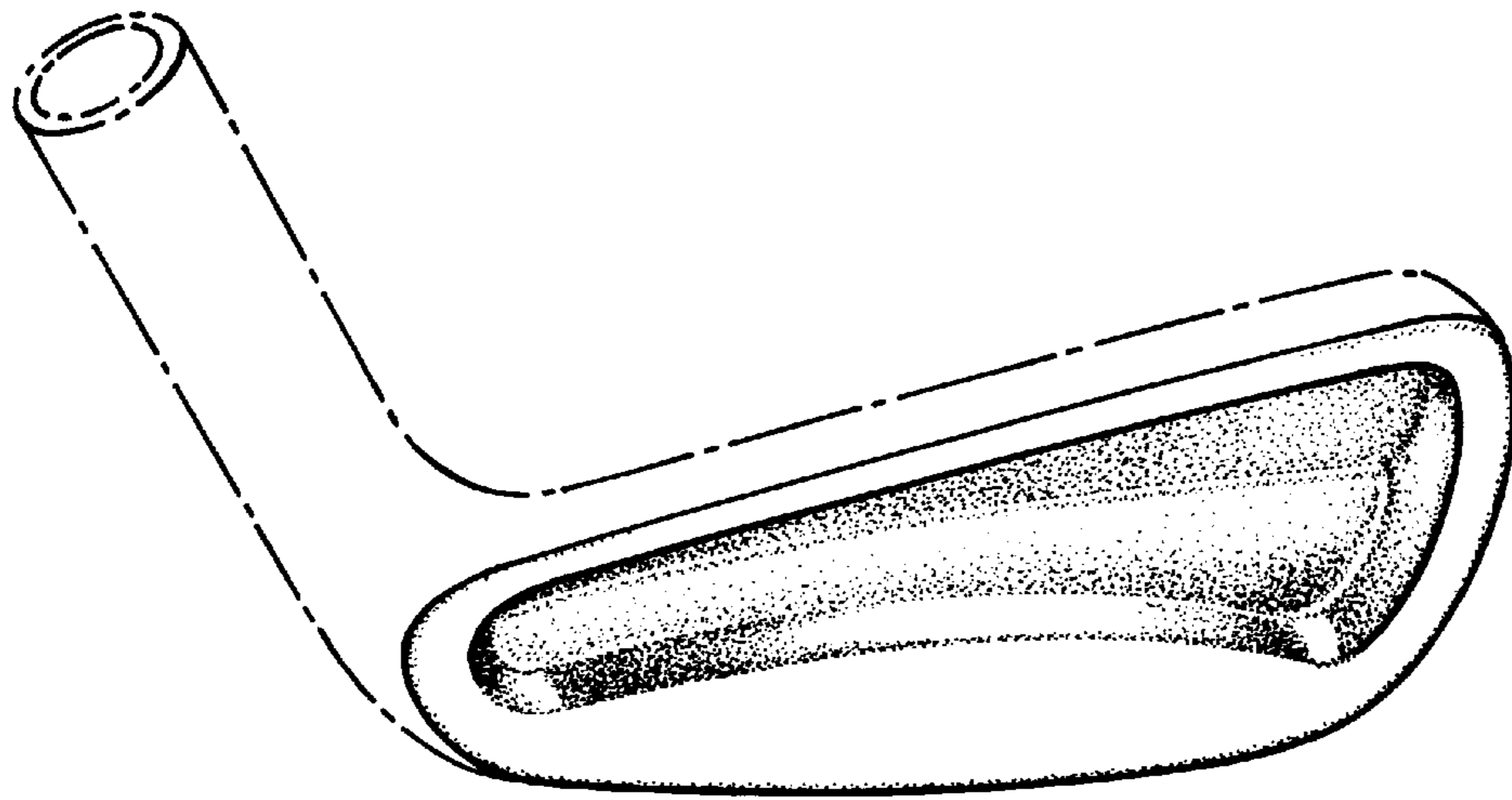
FIG. 4 is a planar section taken along lines 4—4 in FIG. 2; and,

FIG. 5 is a planar section taken along lines 5—5 in FIG. 2.

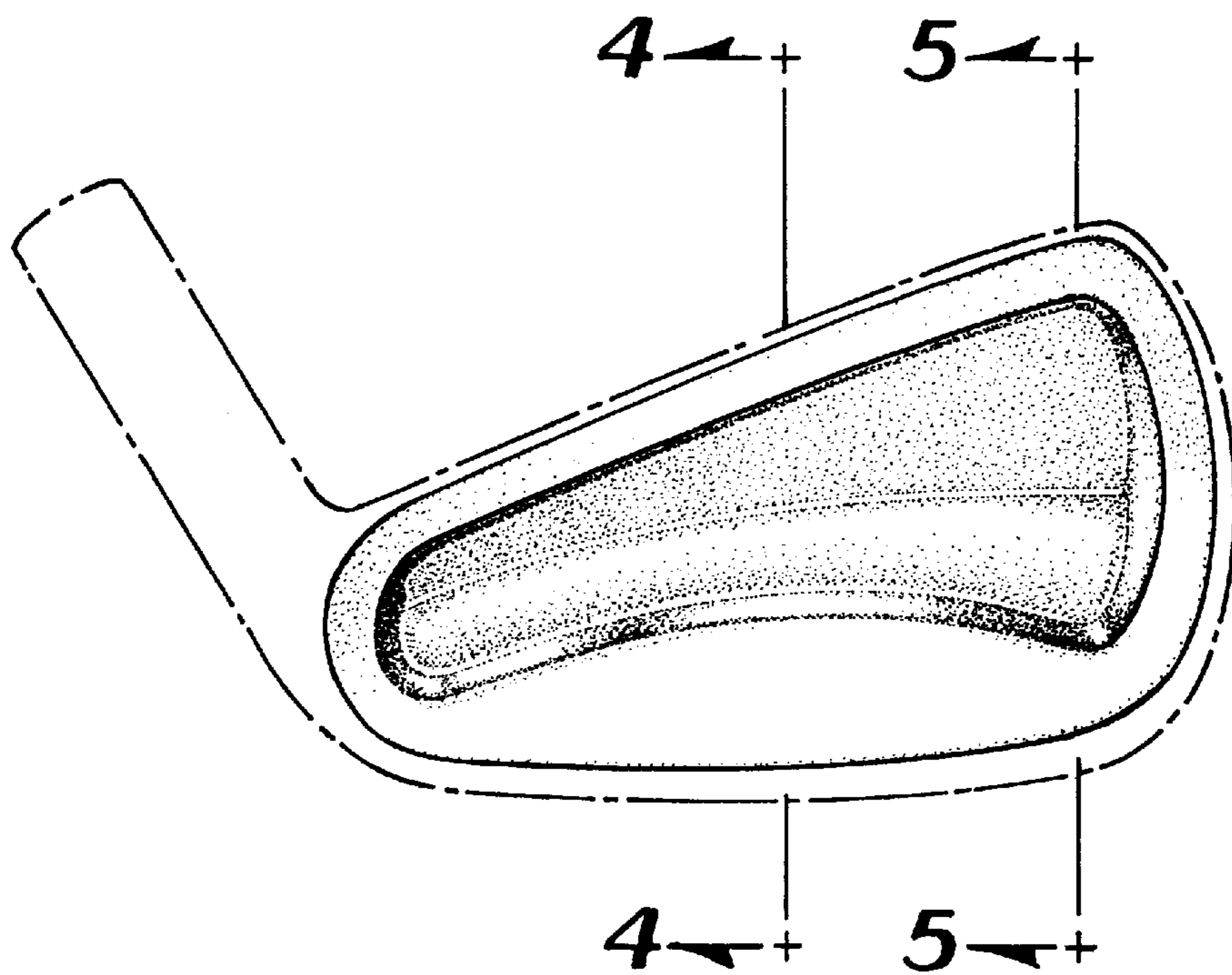
The broken line showing of a golf club head is for illustrative purposes only and forms no part of the claimed design.

**1 Claim, 2 Drawing Sheets**





**FIG 1**



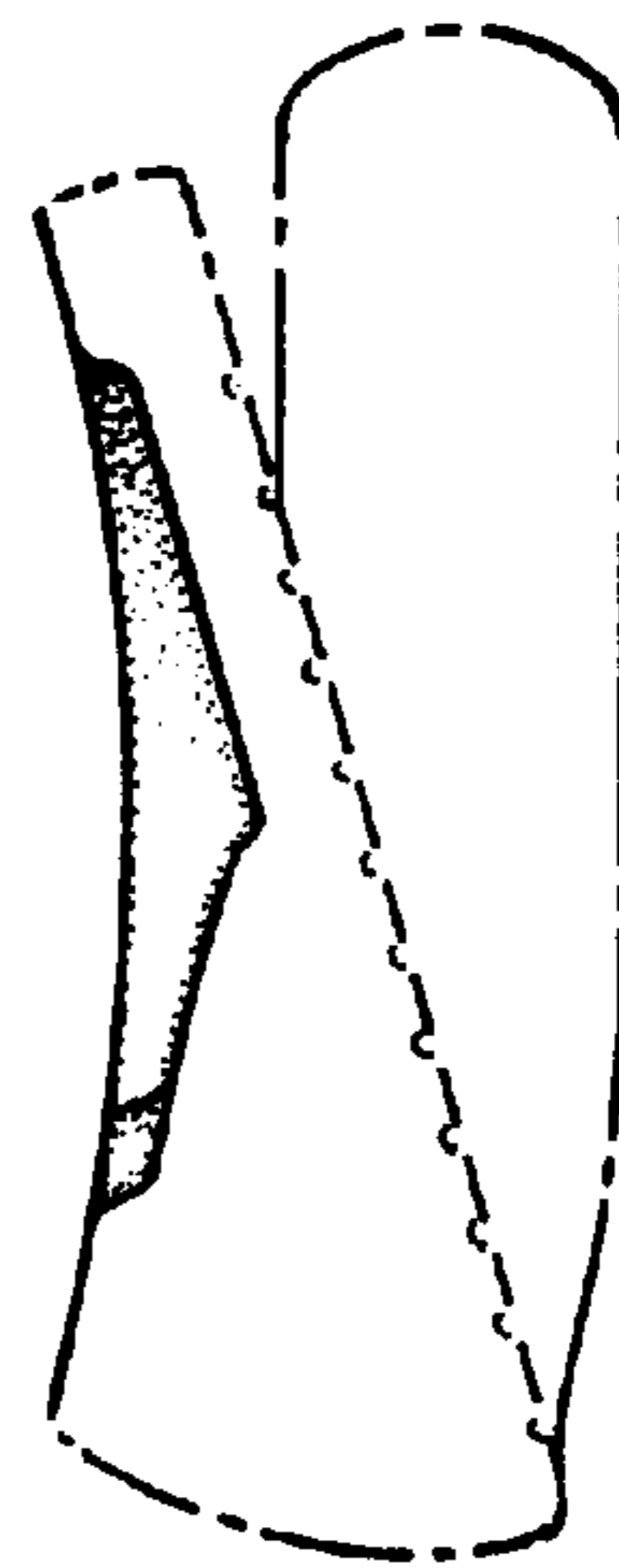
**FIG 2**



**FIG 3**



**FIG 4**



**FIG 5**