



US00D473902S

(12) **United States Design Patent**
Panno

(10) **Patent No.:** **US D473,902 S**

(45) **Date of Patent:** **** Apr. 29, 2003**

(54) **ZIPPY GEAR FOR REMOTE CONTROL CARS**

(76) **Inventor:** **Randy M. Panno**, 14135 Campo, Rd.,
Jamul, CA (US) 91935

(**) **Term:** **14 Years**

(21) **Appl. No.:** **29/144,331**

(22) **Filed:** **Jul. 2, 2001**

(51) **LOC (7) Cl.** **21-01**

(52) **U.S. Cl.** **D21/561**

(58) **Field of Search** D21/488, 548-551,
D21/561-563; D12/123, 124; D15/148,
5; 192/70.19, 70.2; 446/85, 93-96, 102-103,
431, 454-463, 465, 470-471

(56) **References Cited**

U.S. PATENT DOCUMENTS

D270,048 S	*	8/1983	Bytheway	D12/124
4,846,326 A	*	7/1989	Tilton et al.	192/70.19
5,273,478 A	*	12/1993	Yamasaki	446/463
D364,199 S	*	11/1995	Schmidt et al.		
D388,475 S	*	12/1997	Glickman		

D395,901 S	*	7/1998	Mizukami	D15/148
D396,436 S	*	7/1998	Liska	D12/123
6,024,627 A	*	2/2000	Tilbor et al.	446/456
6,089,952 A	*	7/2000	Dowd	446/463
D451,526 S	*	12/2001	Lee	D15/5
6,364,736 B1	*	4/2002	Lee	446/451

* cited by examiner

Primary Examiner—Raphael Barkai

(74) *Attorney, Agent, or Firm*—Charles C. Logan, II

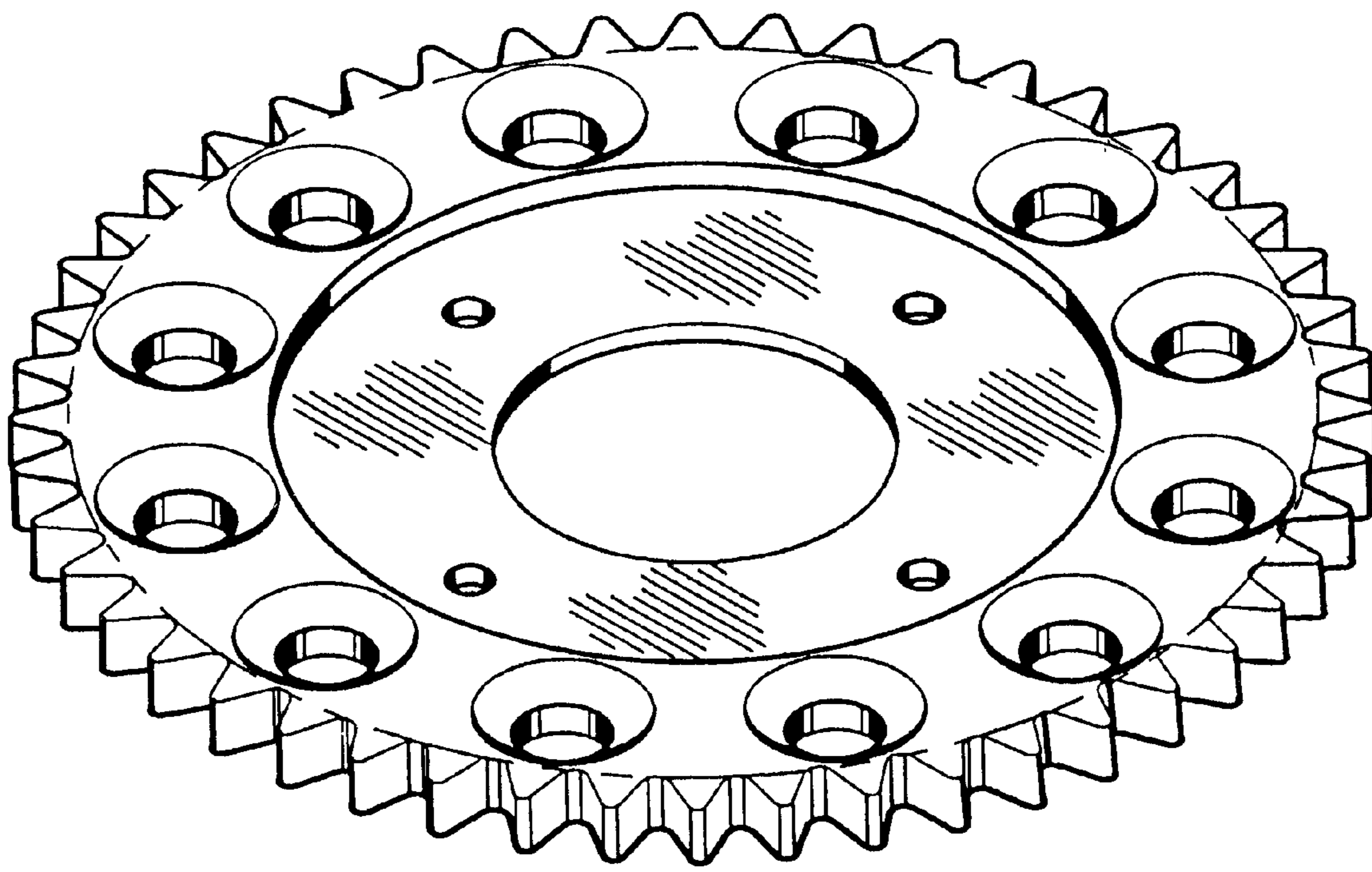
(57) **CLAIM**

The ornamental design for the zippy gear for remote control cars, as shown and described.

DESCRIPTION

FIG. 1 is a rear perspective view of the novel zippy gear for remote control cars;
FIG. 2 is a front perspective view thereof;
FIG. 3 is a front elevation view thereof;
FIG. 4 is a left side elevation view thereof and the right side elevation view is identical and the top plan view and the bottom plan view are identical; and,
FIG. 5 is a rear elevation view thereof.

1 Claim, 2 Drawing Sheets



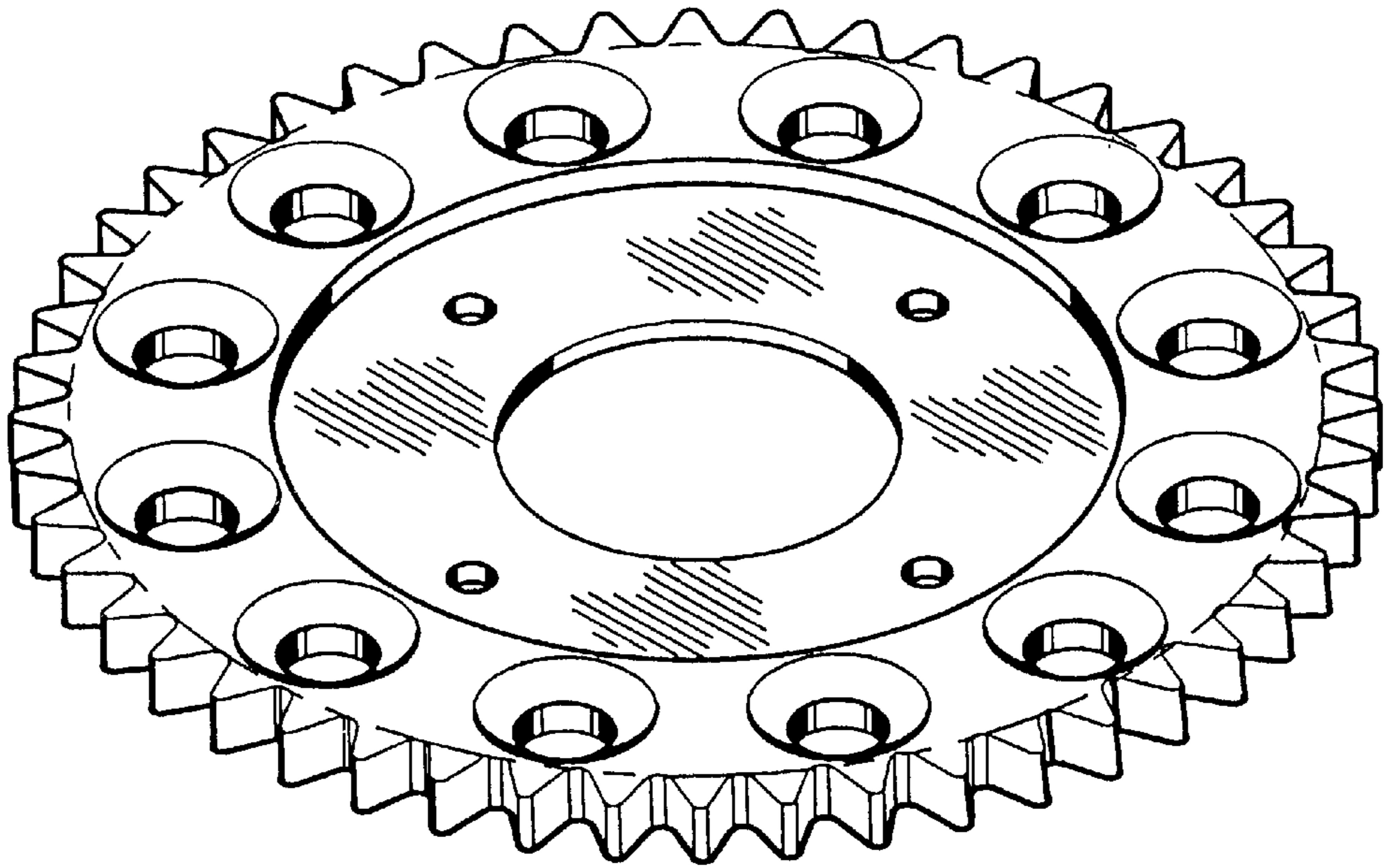


FIG. 1

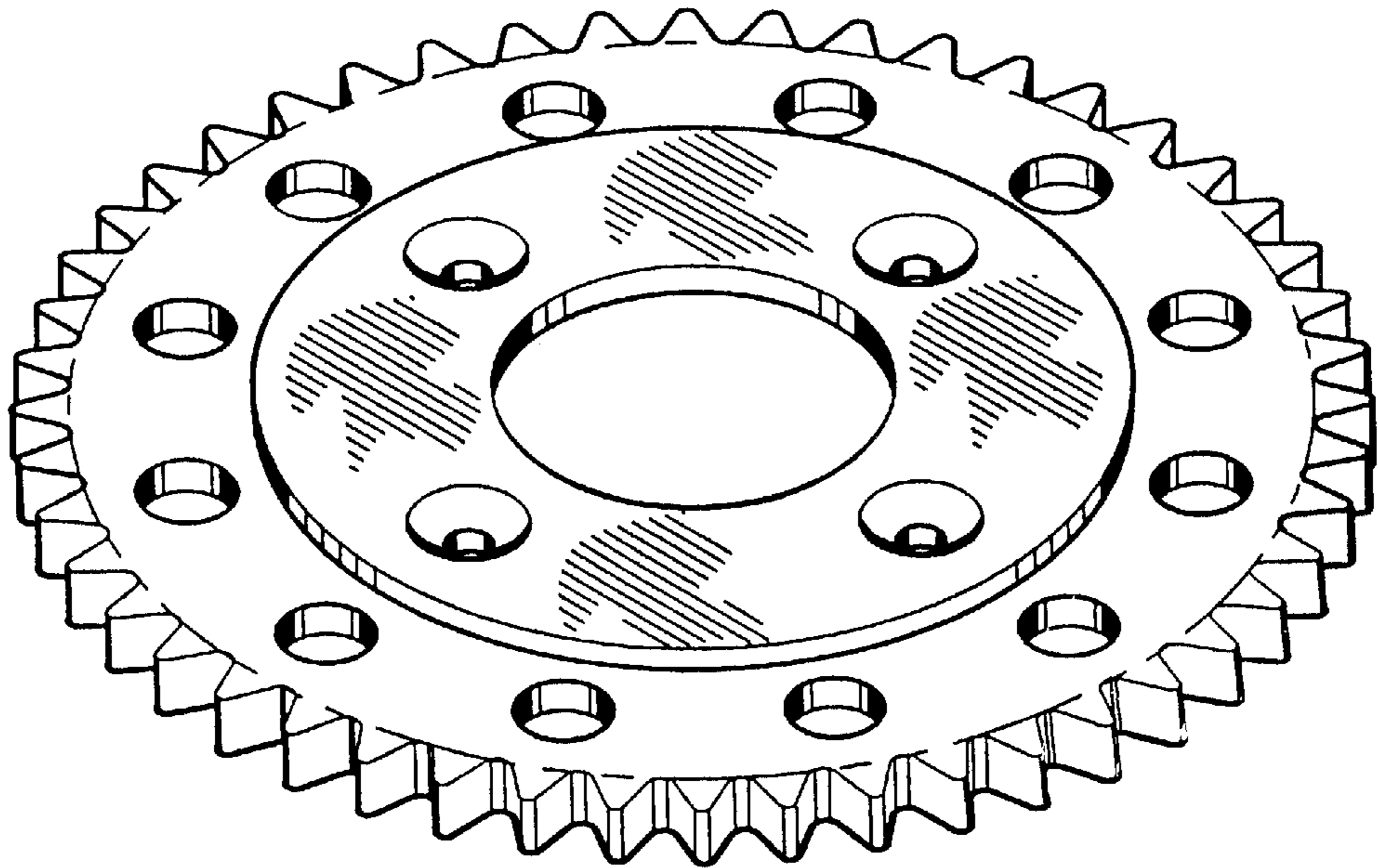


FIG. 2

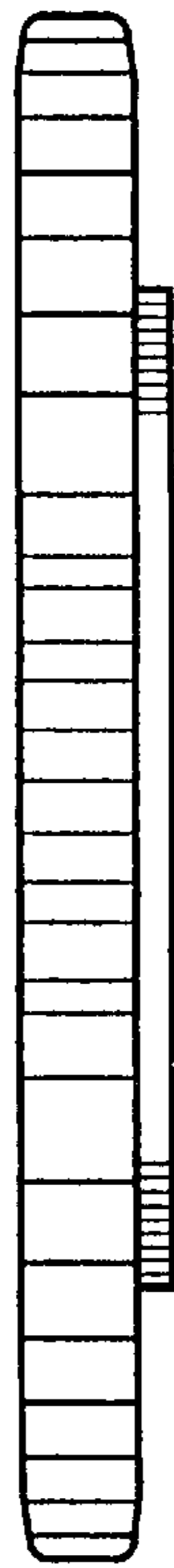


FIG. 4

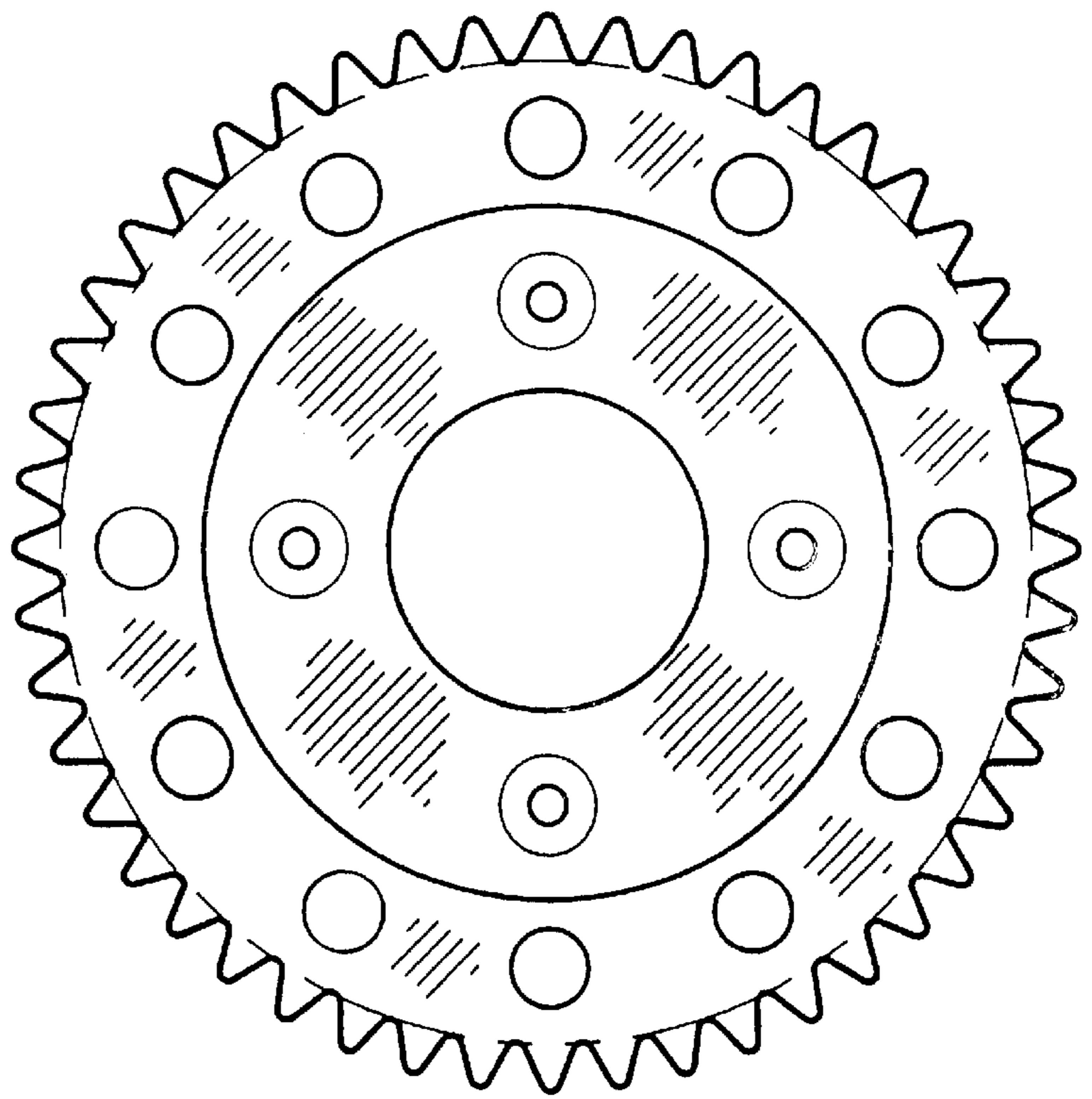


FIG. 3

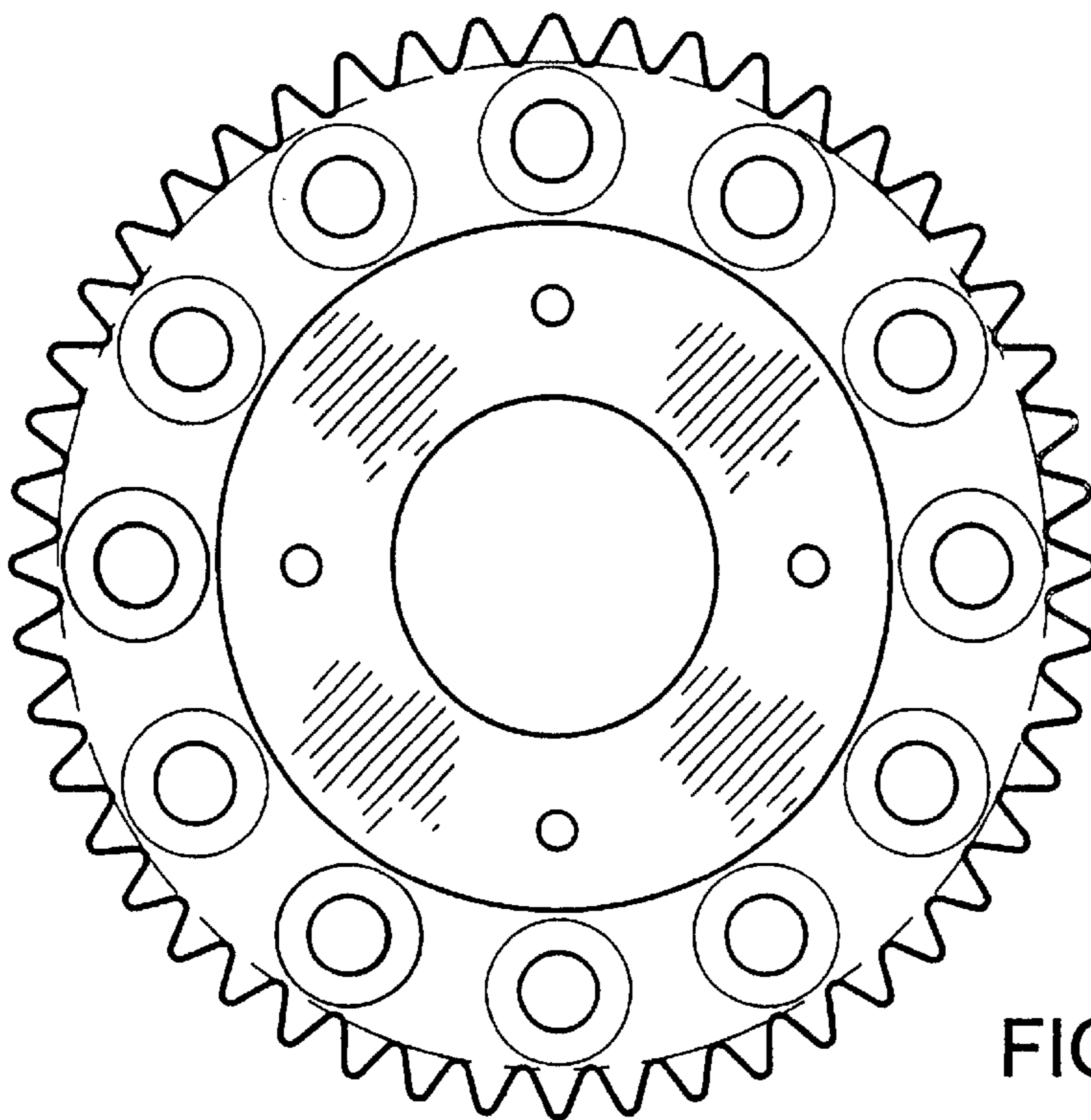


FIG. 5