



US00D473901S

(12) **United States Design Patent**
Stoneberg

(10) **Patent No.:** **US D473,901 S**

(45) **Date of Patent:** **** Apr. 29, 2003**

(54) **TOY CLOCK**

(75) **Inventor:** **J. Bruce Stoneberg**, Oak Brook, IL (US)

(73) **Assignee:** **Classroom Safe-T Products, Inc.**, Lombard, IL (US)

(**) **Term:** **14 Years**

(21) **Appl. No.:** **29/144,752**

(22) **Filed:** **Jul. 10, 2001**

(51) **LOC (7) Cl.** **21-01**

(52) **U.S. Cl.** **D21/531**

(58) **Field of Search** D21/531; D10/7, D10/6, 22, 23; 368/285

(56) **References Cited**

U.S. PATENT DOCUMENTS

D64,010 S	*	2/1924	Hartley	
D158,098 S	*	4/1950	Kaufman	
D197,442 S	*	2/1964	Solecki	
D219,272 S	*	11/1970	Schipper	
D272,930 S	*	3/1984	Anderson	D10/7
D337,951 S	*	8/1993	Bruzzi	D10/23
D419,617 S	*	1/2000	Wise et al.	D21/531

OTHER PUBLICATIONS

Supplemental Math Resources, Pre-K-8, 2001 Catalog; Creative Publications, Wright Group, McGraw-Hill; Bothell, Washington ©2001.

Curriculum materials for grades K-12, 2001 Catalog; Didax; Rowley, Massachusetts ©2001.

* cited by examiner

Primary Examiner—Raphael Barkai

(74) *Attorney, Agent, or Firm*—Michael Best & Friedrich, LLC

(57) **CLAIM**

The ornamental design for a toy clock, as shown.

DESCRIPTION

FIG. 1 is a front perspective view of the toy clock showing my new design;

FIG. 2 is a rear perspective view showing my new design;

FIG. 3 is a top plan view of the toy clock shown in FIGS. 1 and 2;

FIG. 4 is a front elevation view of the toy clock of FIGS. 1 and 2;

FIG. 5 is a bottom plan view of the toy clock of FIGS. 1 and 2;

FIG. 6 is a left side elevation view of the toy clock shown in FIGS. 1 and 2; and,

FIG. 7 is a right side elevation view of the toy clock shown in FIGS. 1 and 2.

1 Claim, 3 Drawing Sheets

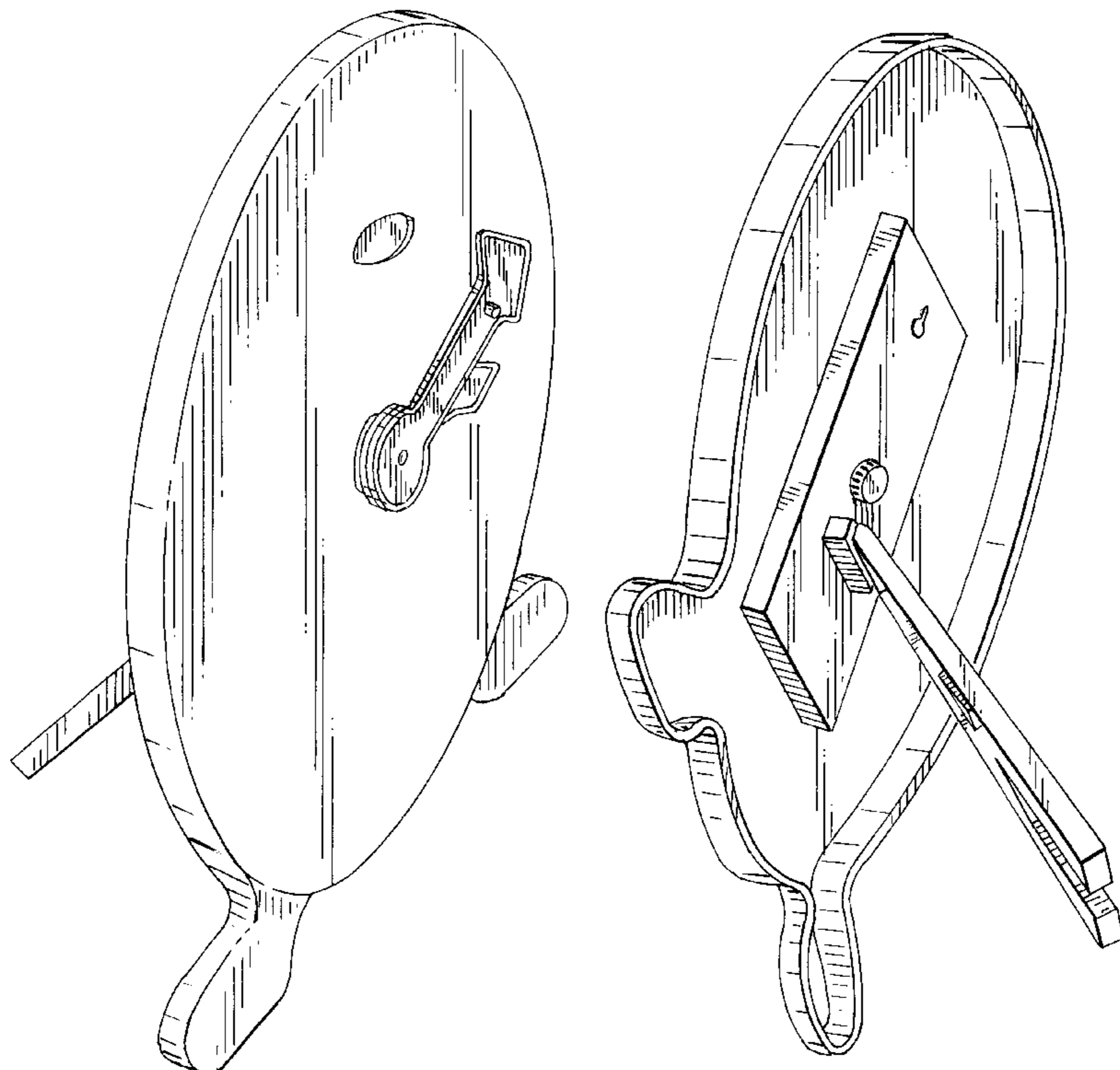


FIG. 1

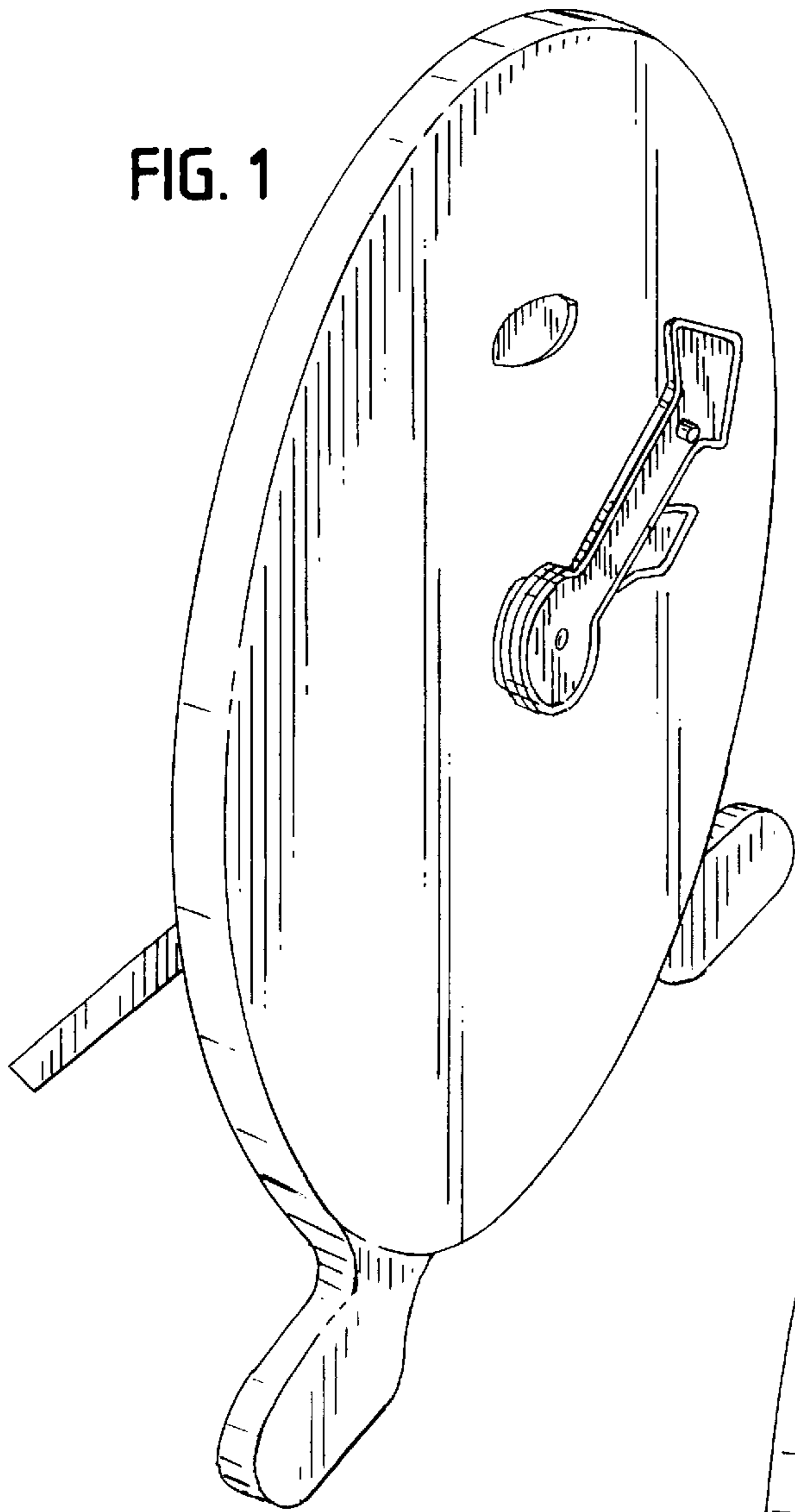


FIG. 2

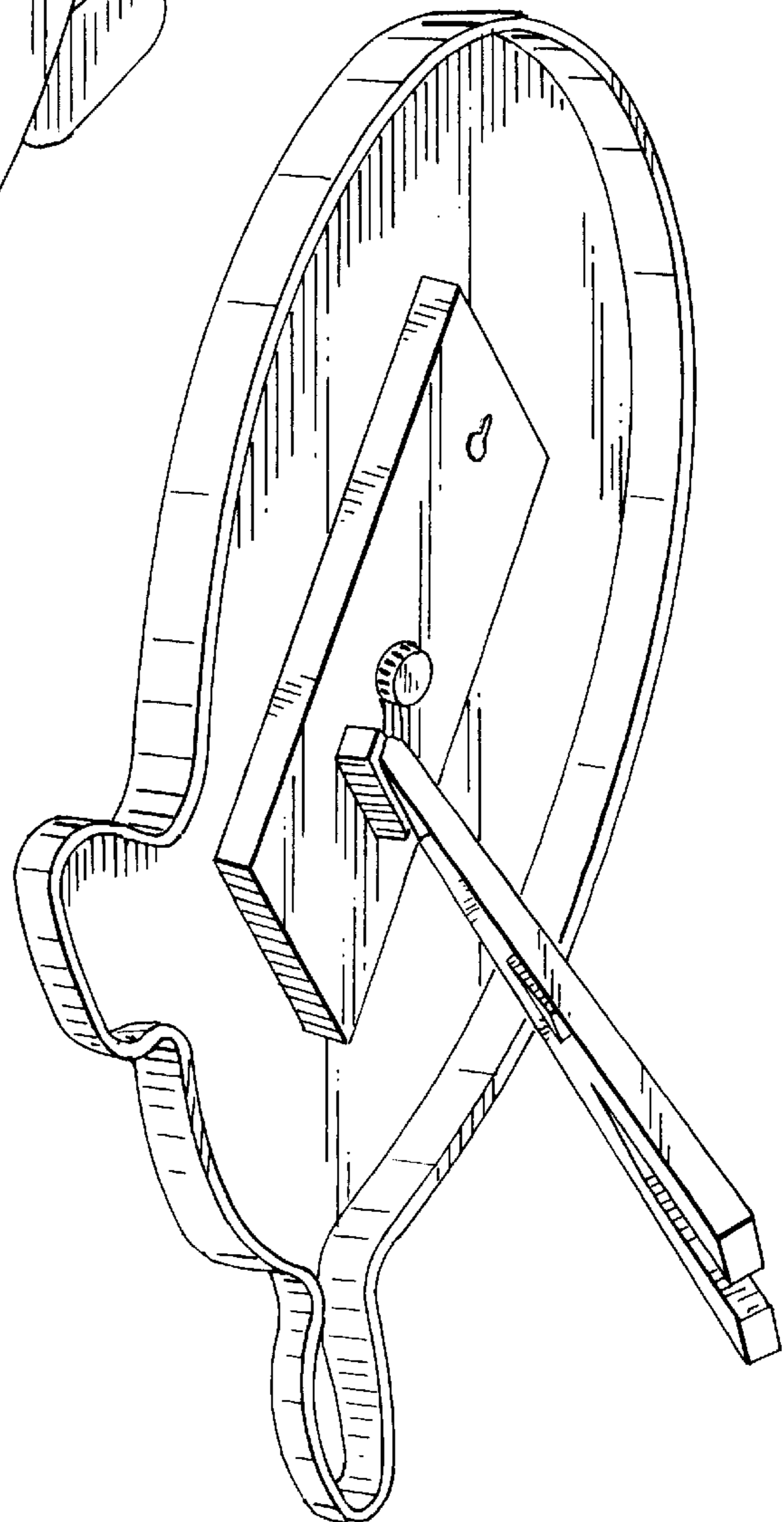


FIG. 3

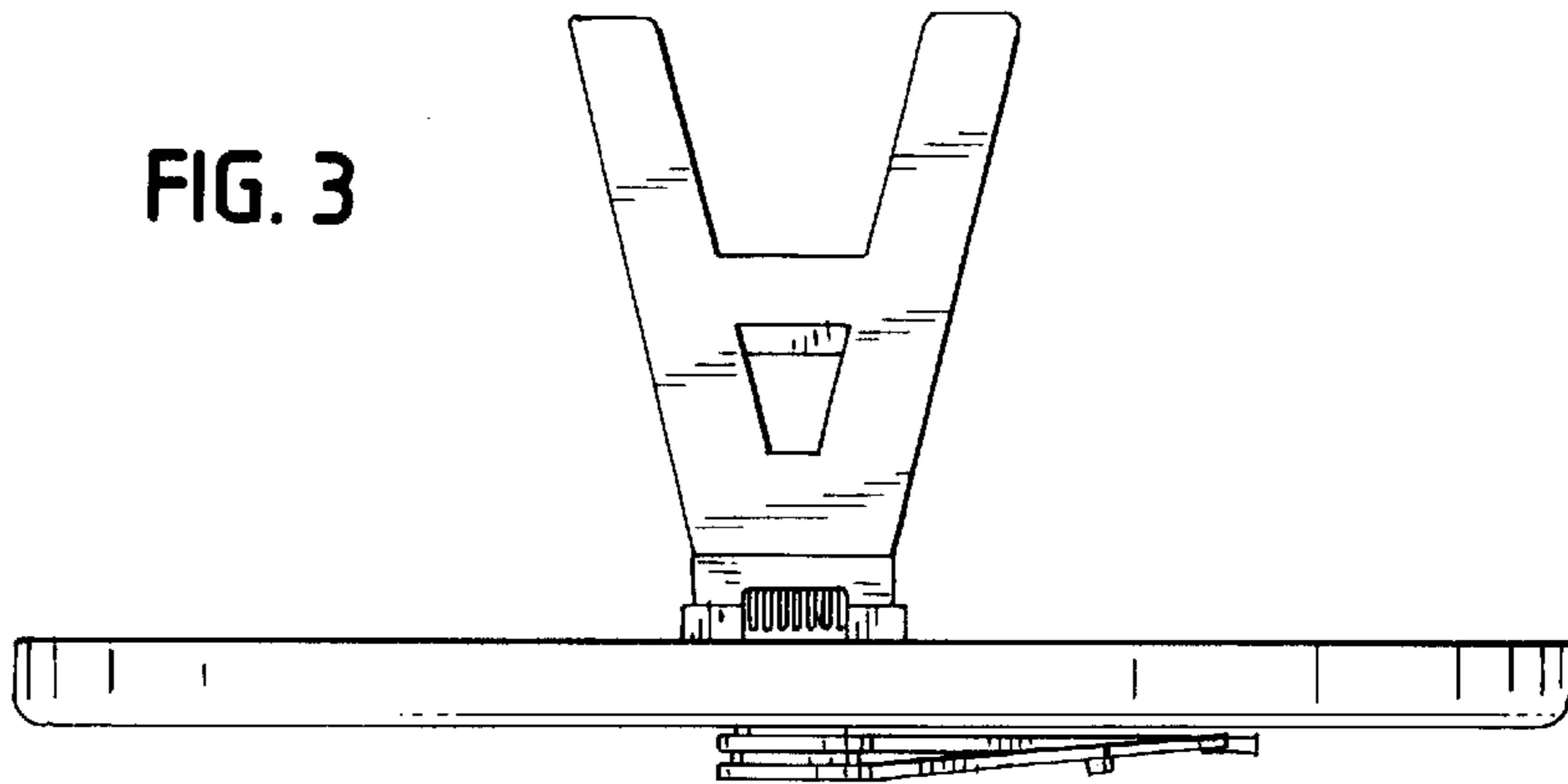


FIG. 4

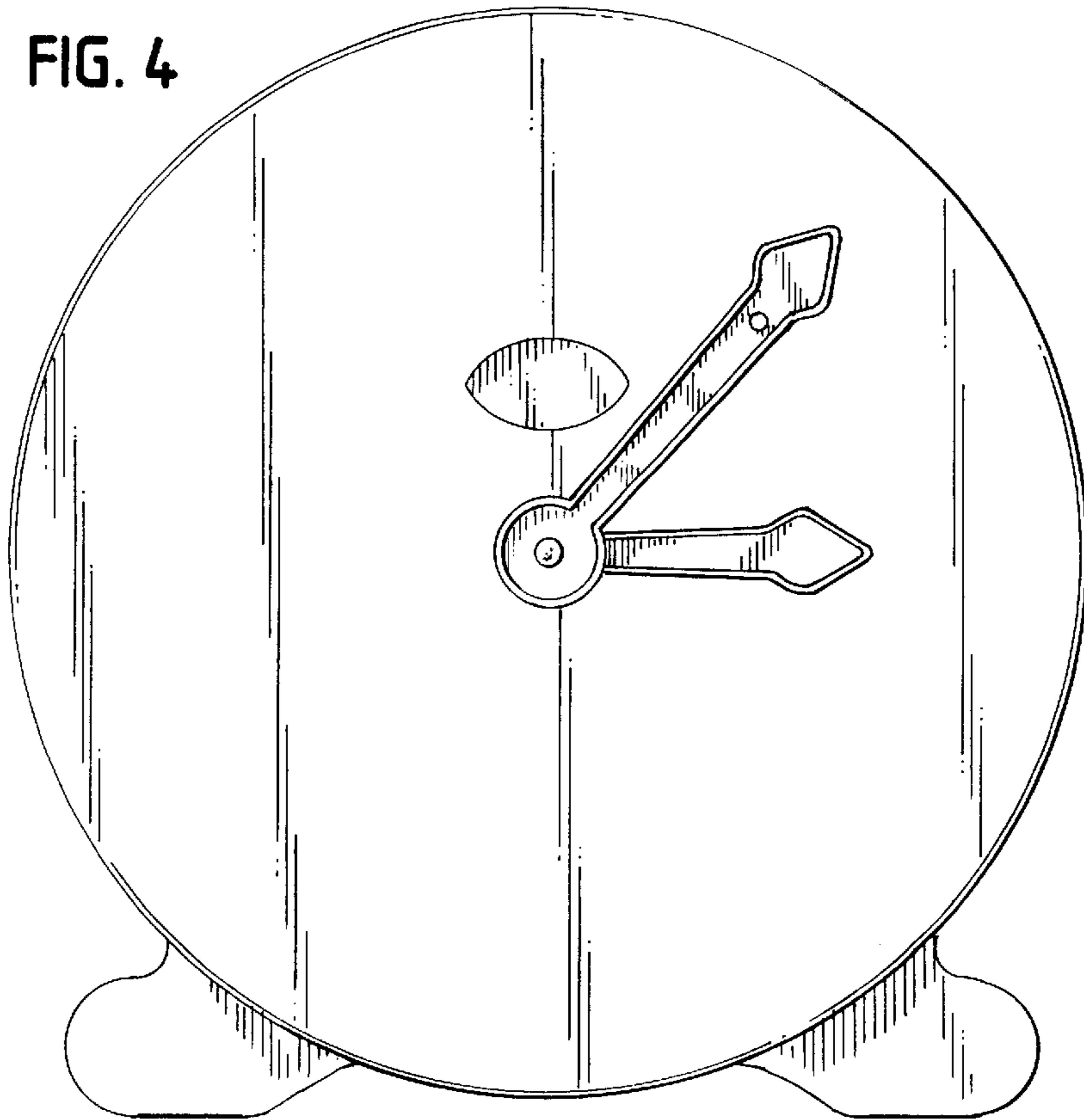


FIG. 5

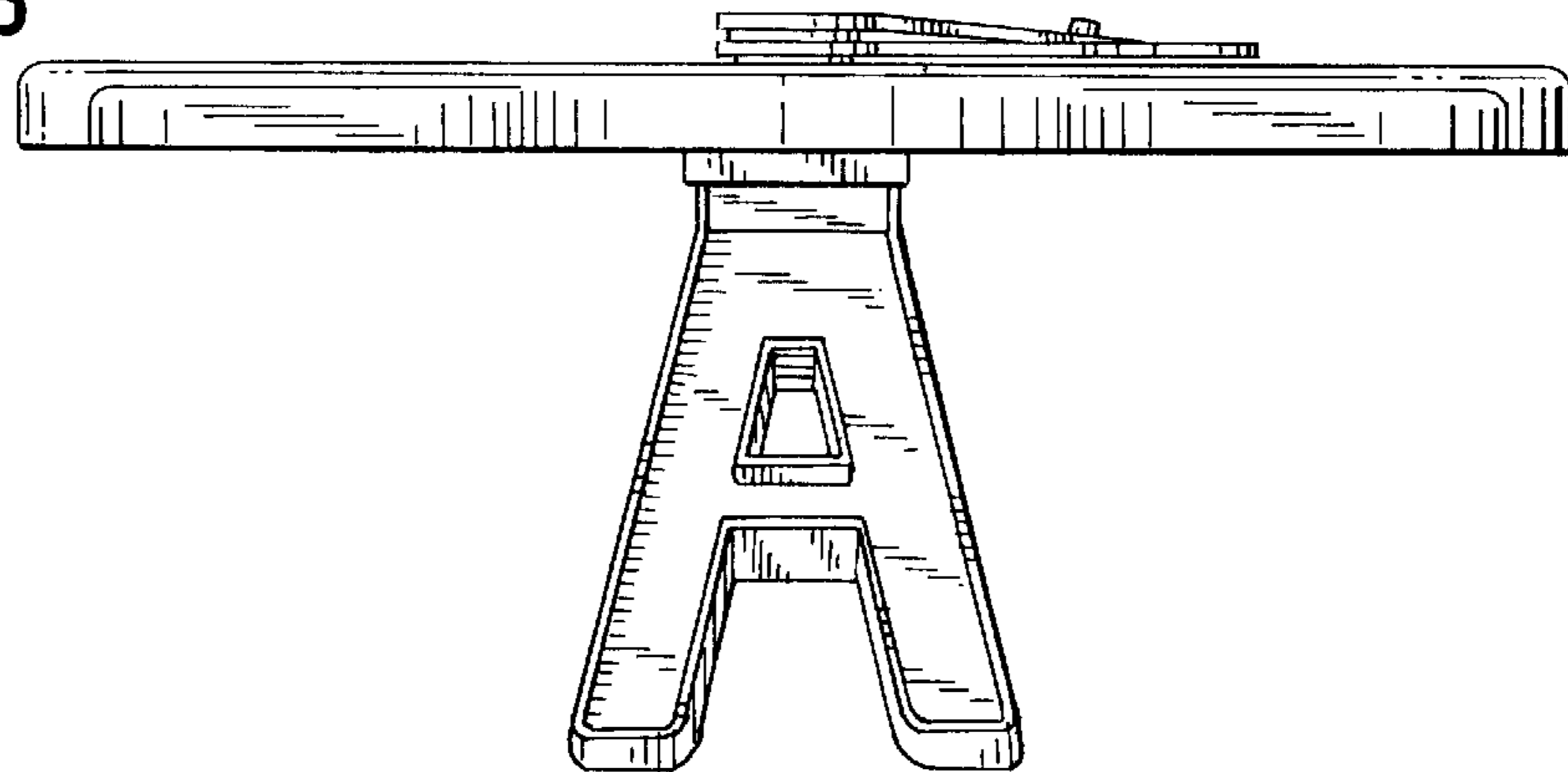


FIG. 6

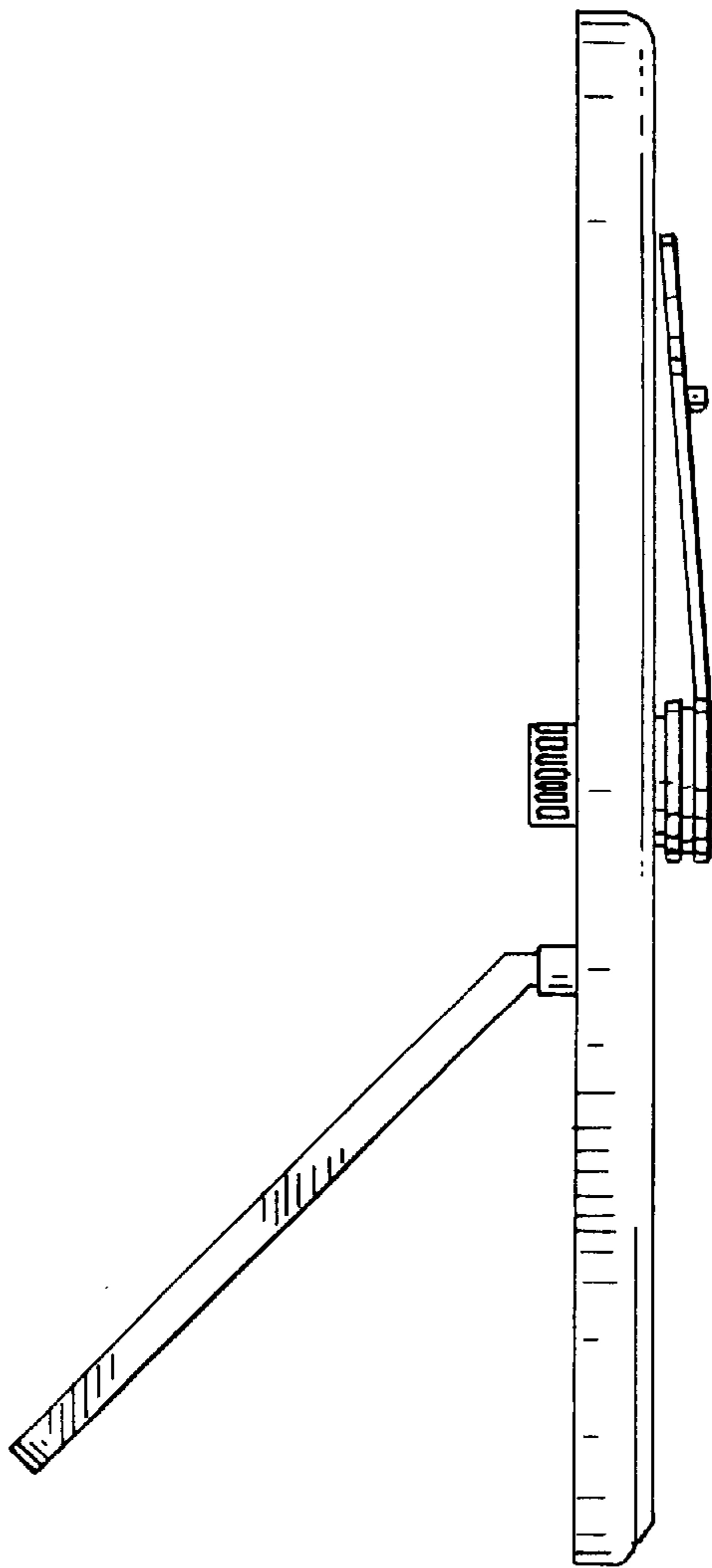


FIG. 7

