



US00D473900S

(12) **United States Design Patent**
Seelig et al.

(10) **Patent No.:** **US D473,900 S**

(45) **Date of Patent:** **** Apr. 29, 2003**

(54) **GAMING DISPLAY DEVICE**

(75) Inventors: **Jerald C. Seelig**, Absecon, NJ (US);
Lawrence M. Henshaw, Hammonton,
NJ (US)

(73) Assignee: **Atlantic City Coin & Slot Service
Company, Inc.**, Pleasantville, NJ (US)

(**) Term: **14 Years**

(21) Appl. No.: **29/166,506**

(22) Filed: **Aug. 27, 2002**

Related U.S. Application Data

(63) Continuation of application No. 29/149,050, filed on Oct. 1,
2001, now Pat. No. Des. 467,623.

(51) **LOC (7) Cl.** **21-03**

(52) **U.S. Cl.** **D21/370; D21/385**

(58) **Field of Search** D14/144, 146;
D21/369-371, 375, 385; 273/274; 463/17,
20, 46, 47

(56) **References Cited**

U.S. PATENT DOCUMENTS

D260,769 S * 9/1981 Thomas D21/370

4,815,123 A * 3/1989 McGough D14/146
4,837,814 A * 6/1989 Yoshino et al. D14/146
D305,422 S * 1/1990 Steer et al. D14/247
5,984,782 A * 11/1999 Inoue 463/20
6,311,974 B1 * 11/2001 Koga 463/20
D458,311 S * 6/2002 Seelig et al. D21/370

* cited by examiner

Primary Examiner—Sandra L. Morris

(74) *Attorney, Agent, or Firm*—Rolando J. Tong; Ian F.
Burns & Assoc.

(57) **CLAIM**

The ornamental design for a gaming device display, as
shown and described.

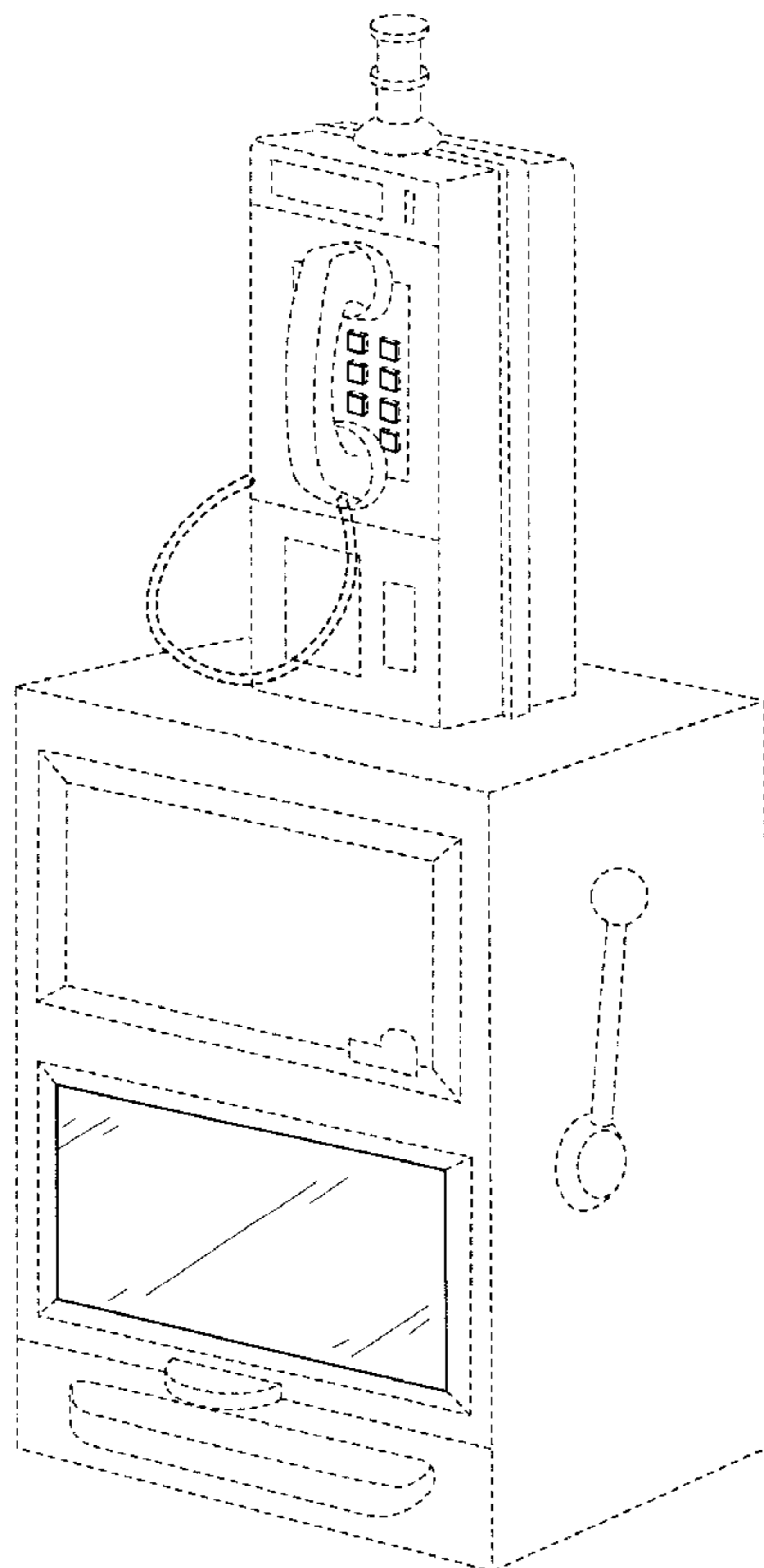
DESCRIPTION

FIG. 1 is a perspective view of the gaming device display.
FIG. 2 is a front elevational view of the gaming device
display.

FIG. 3 is a top plan view of the gaming device display.
FIG. 4 is a right side view of the gaming device display; and,
FIG. 5 is a left side view of the gaming device display.

Broken lines illustrate features of environmental compo-
nents that are not part of the design sought to be patented.

1 Claim, 5 Drawing Sheets



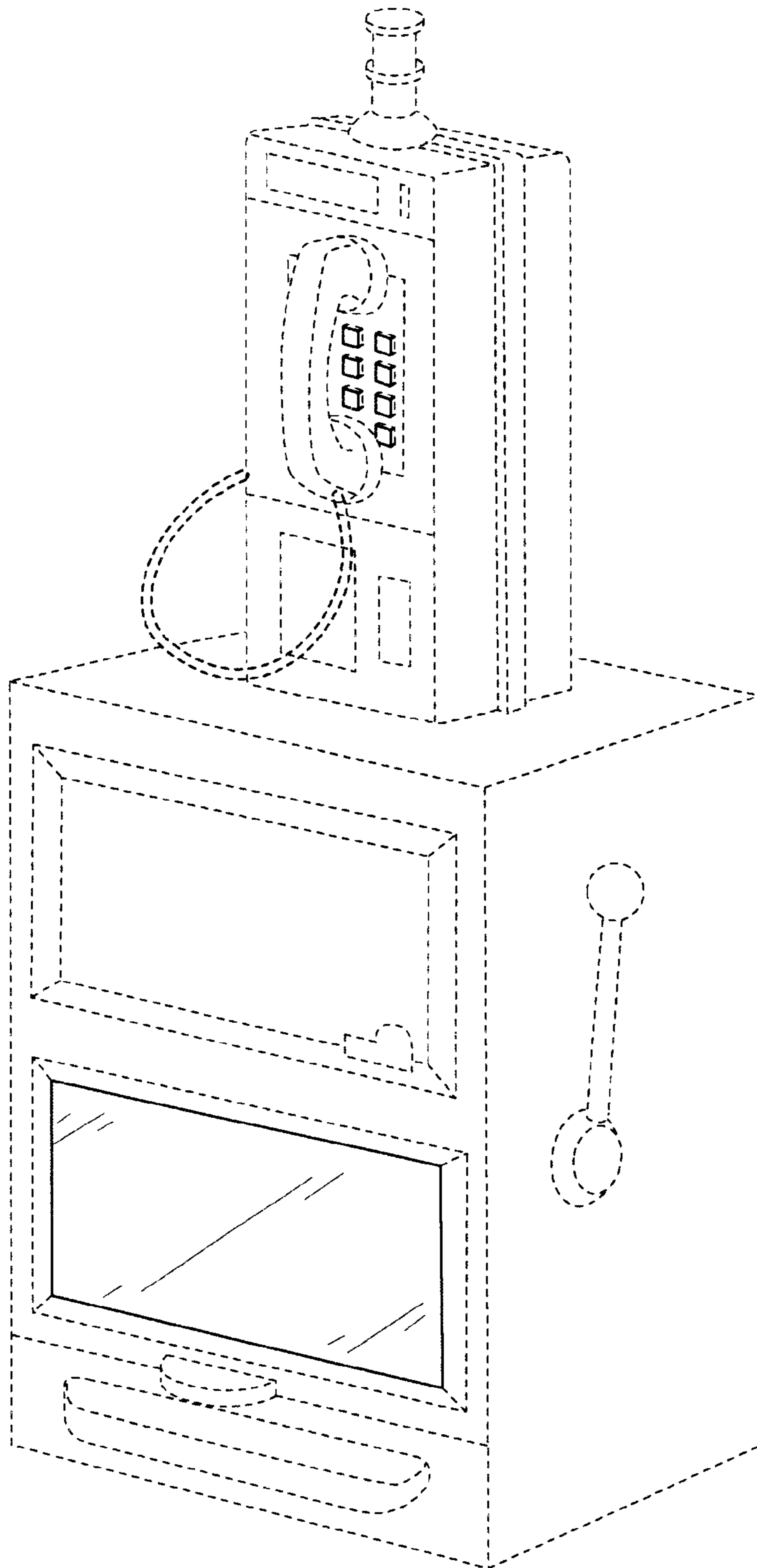


FIG. 1.

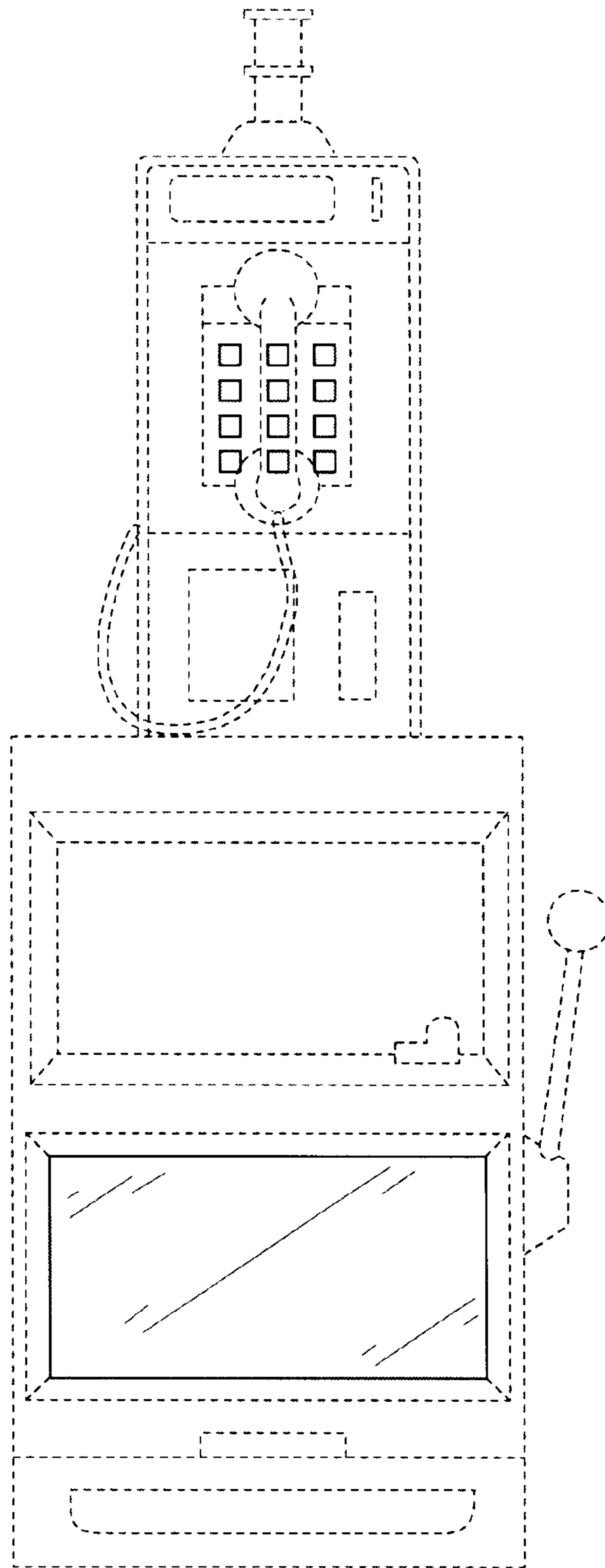


FIG. 2.

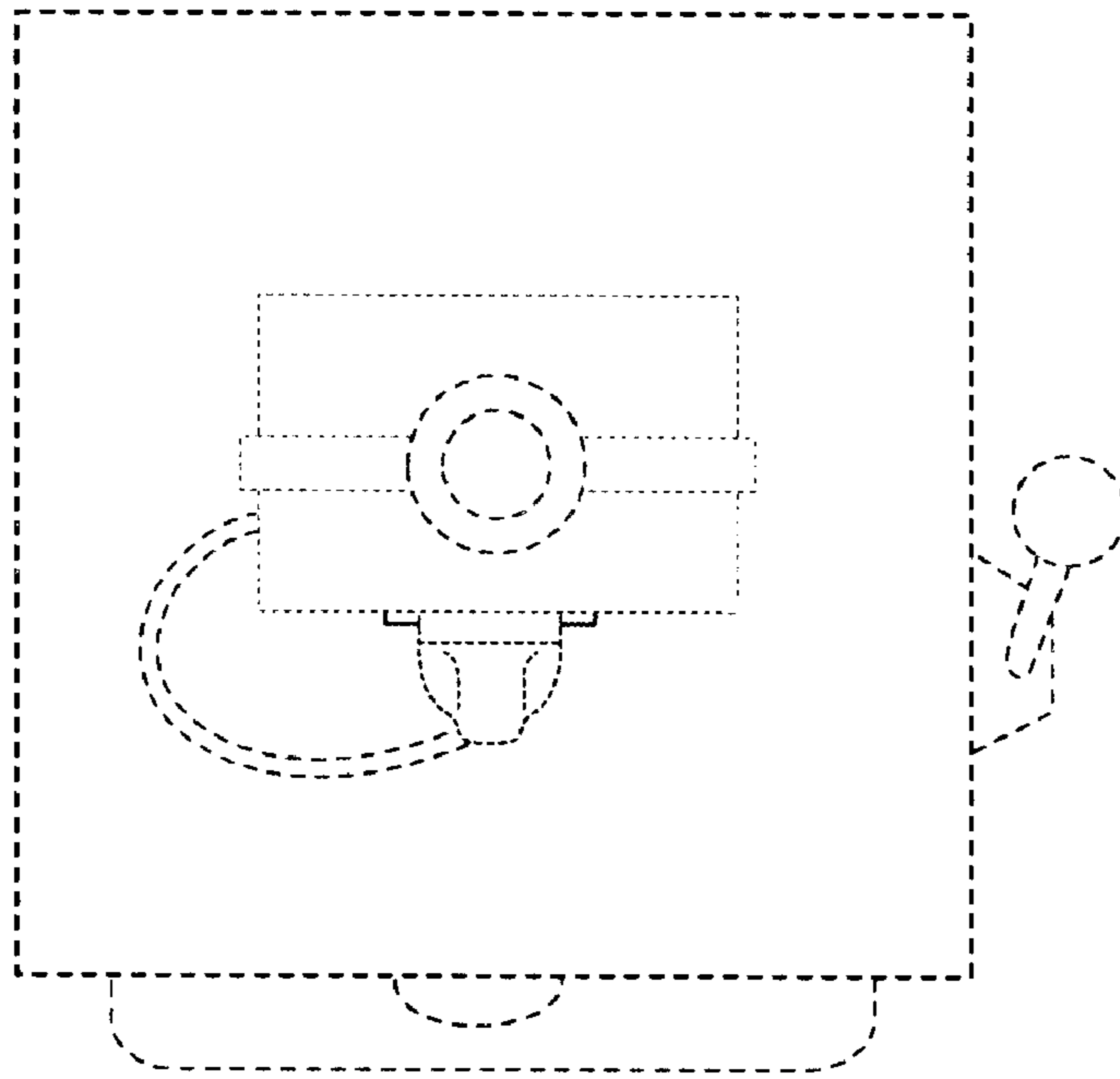


FIG. 3.

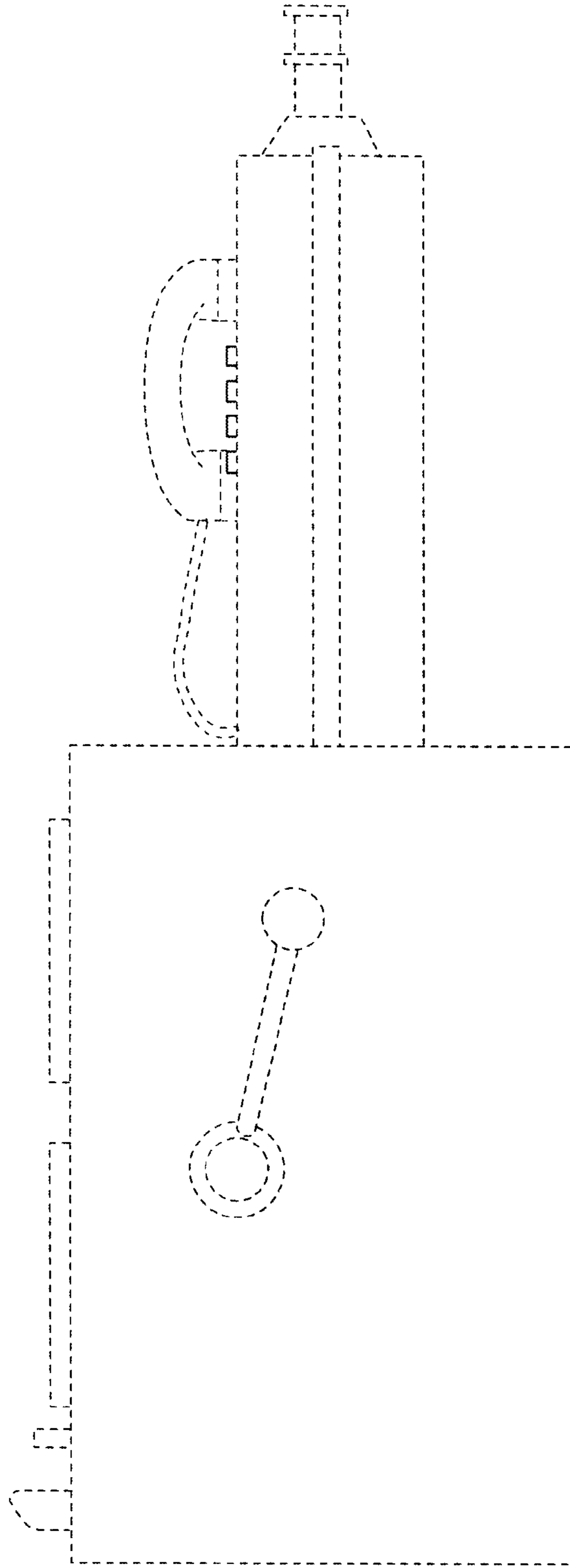


FIG. 4.

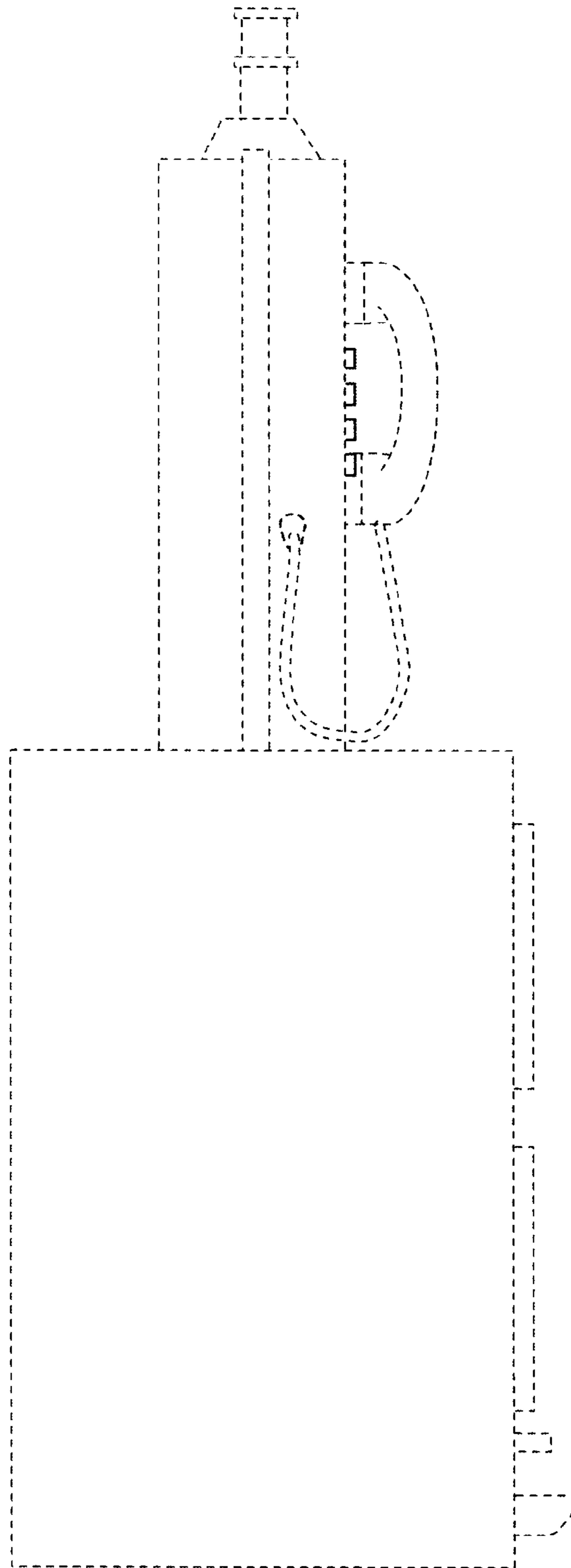


FIG. 5.