



US00D473897S

(12) **United States Design Patent** (10) **Patent No.:** **US D473,897 S**  
**To** (45) **Date of Patent:** **\*\* Apr. 29, 2003**

(54) **RING BINDER HOUSING COVER**

(75) Inventor: **Chun Yuen To, Shatin (HK)**

(73) Assignee: **World Wide Stationery Manufacturing Company Limited, Kwai Chung (HK)**

(\*\*) Term: **14 Years**

(21) Appl. No.: **29/141,765**

(22) Filed: **May 11, 2001**

(51) **LOC (7) Cl.** ..... **19-04**

(52) **U.S. Cl.** ..... **D19/32**

(58) **Field of Search** ..... D19/26, 27, 32, D19/49, 100; 402/26, 31, 36, 38, 39, 41; 281/3.1, 15.1, 21.1, 22, 27.1, 27.2, 27.3, 28, 29, 30, 31, 32, 39, 45, 46, 47, 48, 49, 50, 51

(56) **References Cited**

**U.S. PATENT DOCUMENTS**

5,846,013 A	*	12/1998	To	.....	402/36
D408,851 S	*	4/1999	To	.....	D19/32
6,146,042 A	*	11/2000	To et al.	.....	402/26
D436,994 S	*	1/2001	Whaley	.....	D19/32

\* cited by examiner

*Primary Examiner*—Paula A. Mortimer

(74) *Attorney, Agent, or Firm*—Michael Best & Friedrich, LLC

(57) **CLAIM**

The ornamental design for ring binder housing cover, as shown and described.

**DESCRIPTION**

FIG. 1 is a perspective view showing the top and one end of the inventive ring binder housing cover;

FIG. 2 is a perspective view showing the bottom and one end of the inventive ring binder housing cover;

FIG. 3 is a side elevation of one side of the inventive ring binder housing cover;

FIG. 4 is a plan view looking down on top of the ring binder housing cover;

FIG. 5 is a side elevation of an opposite side of the inventive ring binder cover;

FIG. 6 is a plan view of the underside of the inventive ring binder cover;

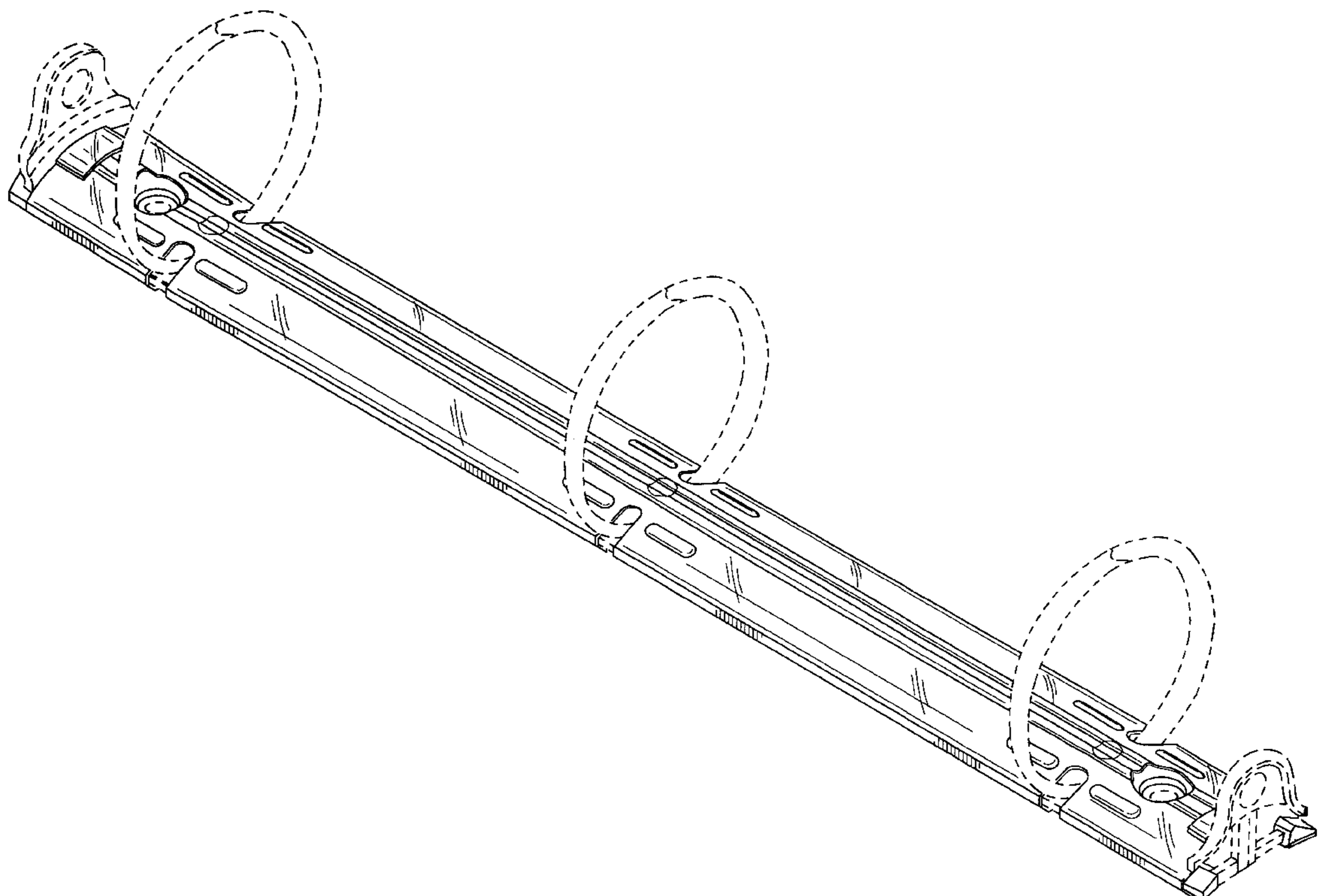
FIG. 7 is an elevation view of an end of the inventive ring binder cover, the opposite end being identical thereto;

FIG. 8 is an exploded perspective view, as shown in FIG. 1, with a translucent, snap on, colored cover shown elevated above the underlying and supporting ring binder; and,

FIG. 9 is a detail showing one of four substantially identical corners of the assembled ring binder showing how a metal tab projects beyond the translucent, snap on colored cover that is shown in an elevated position in FIG. 7.

The rings shown in dashed lines are not part of the inventive design.

**1 Claim, 7 Drawing Sheets**



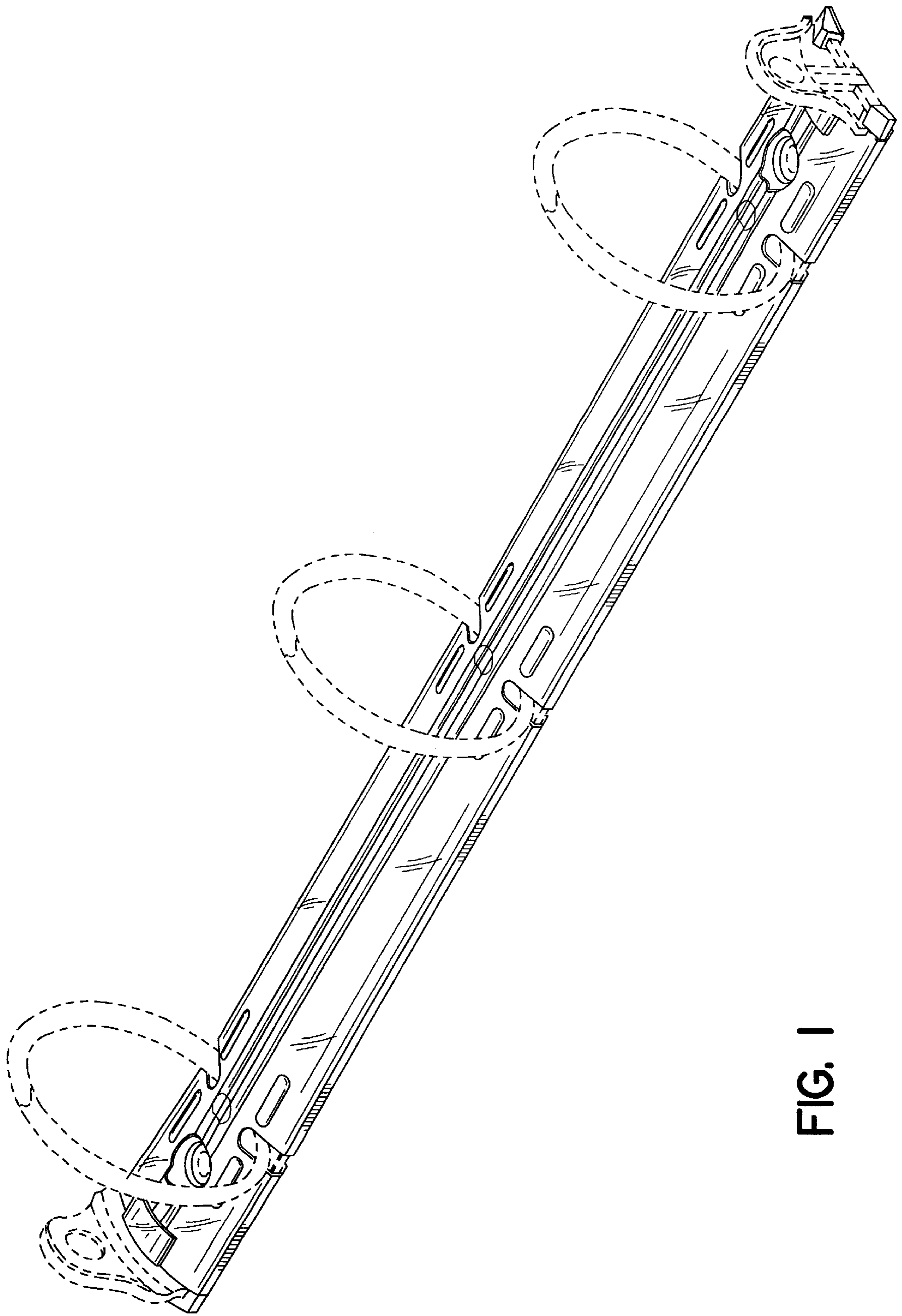


FIG. 1

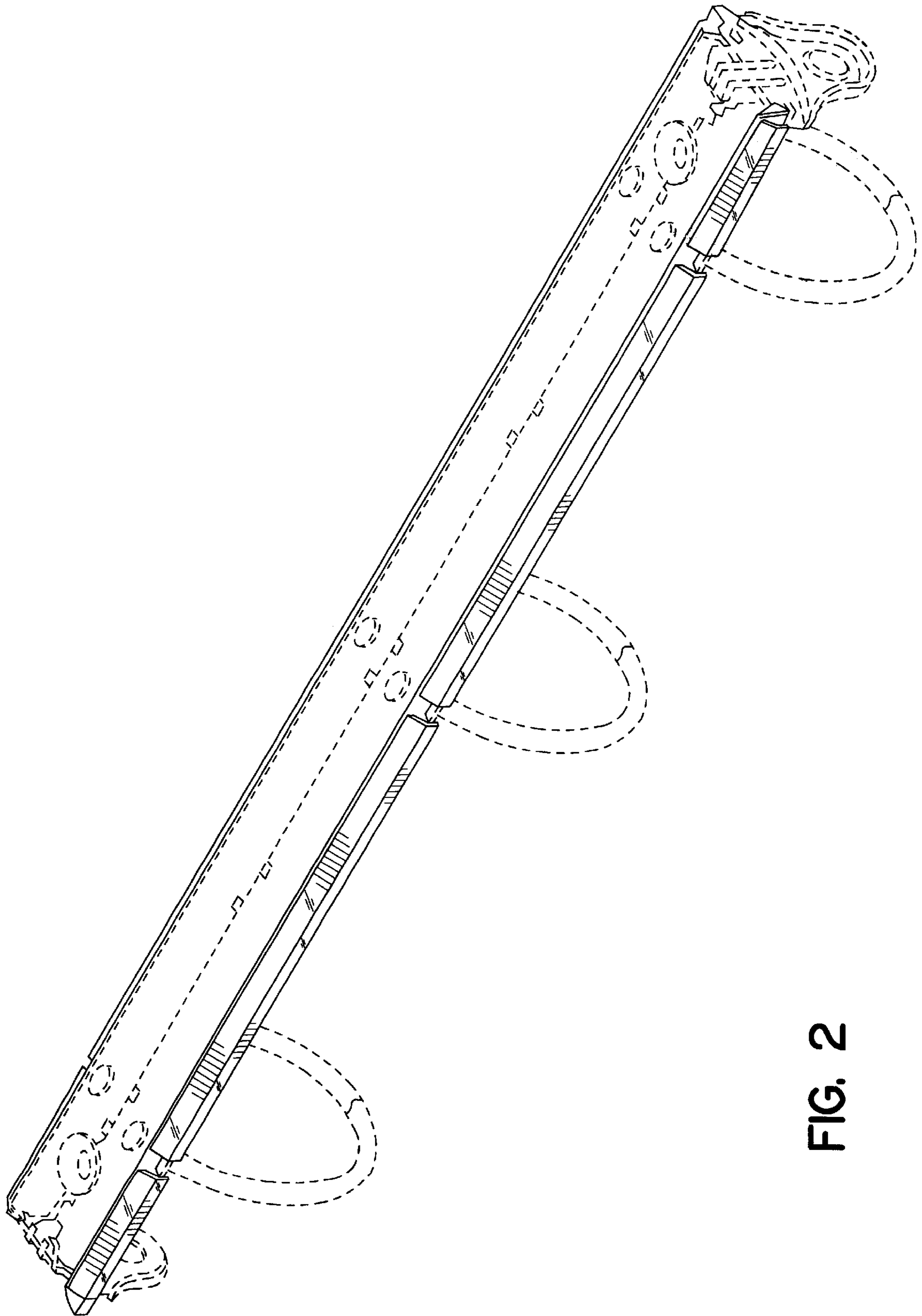


FIG. 2

FIG. 3

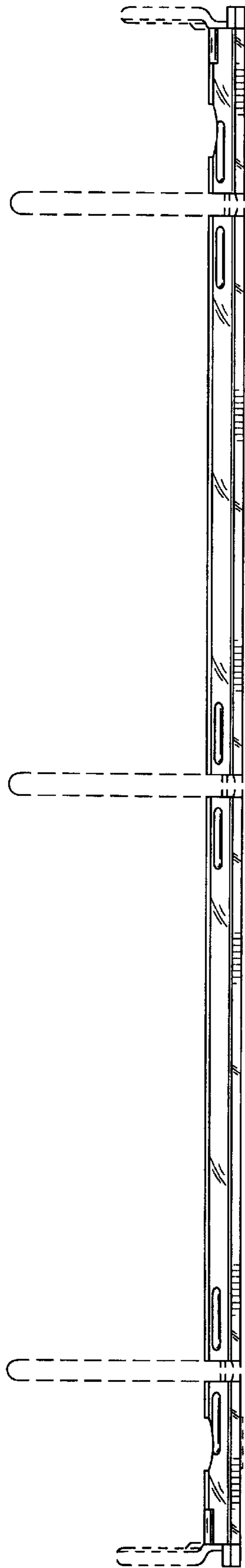


FIG. 4

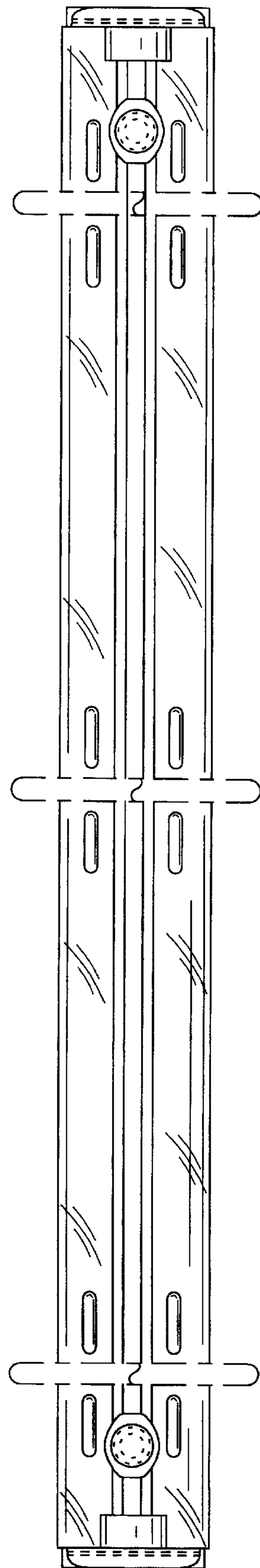




FIG. 5

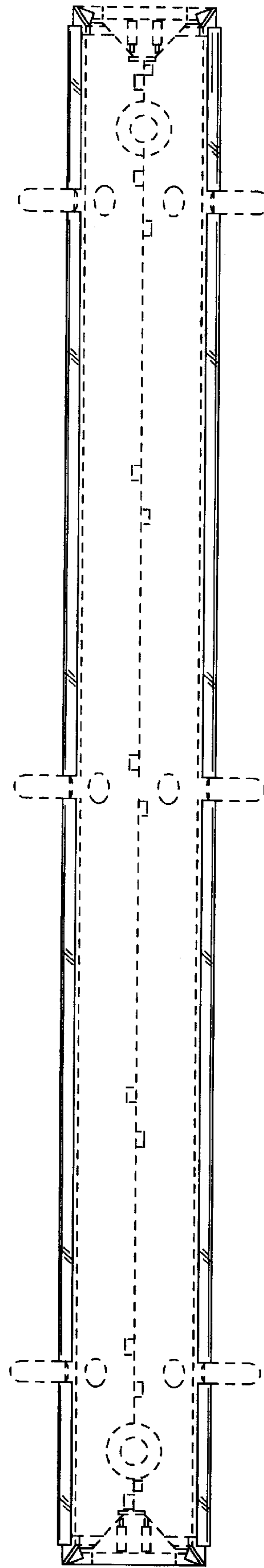
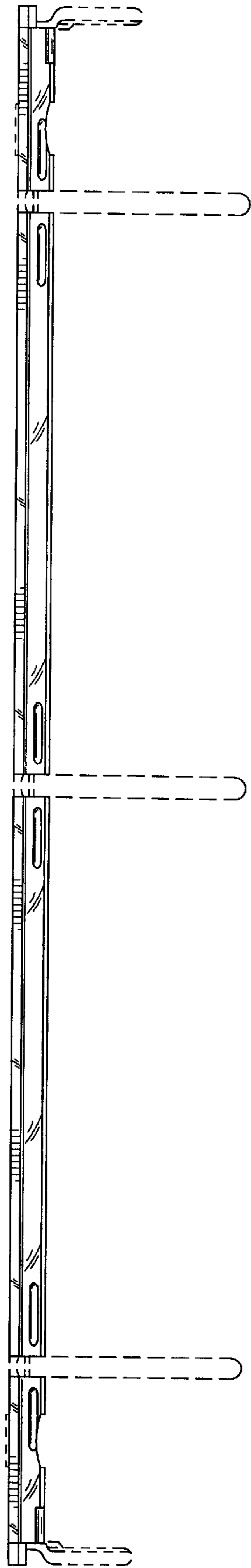


FIG. 6

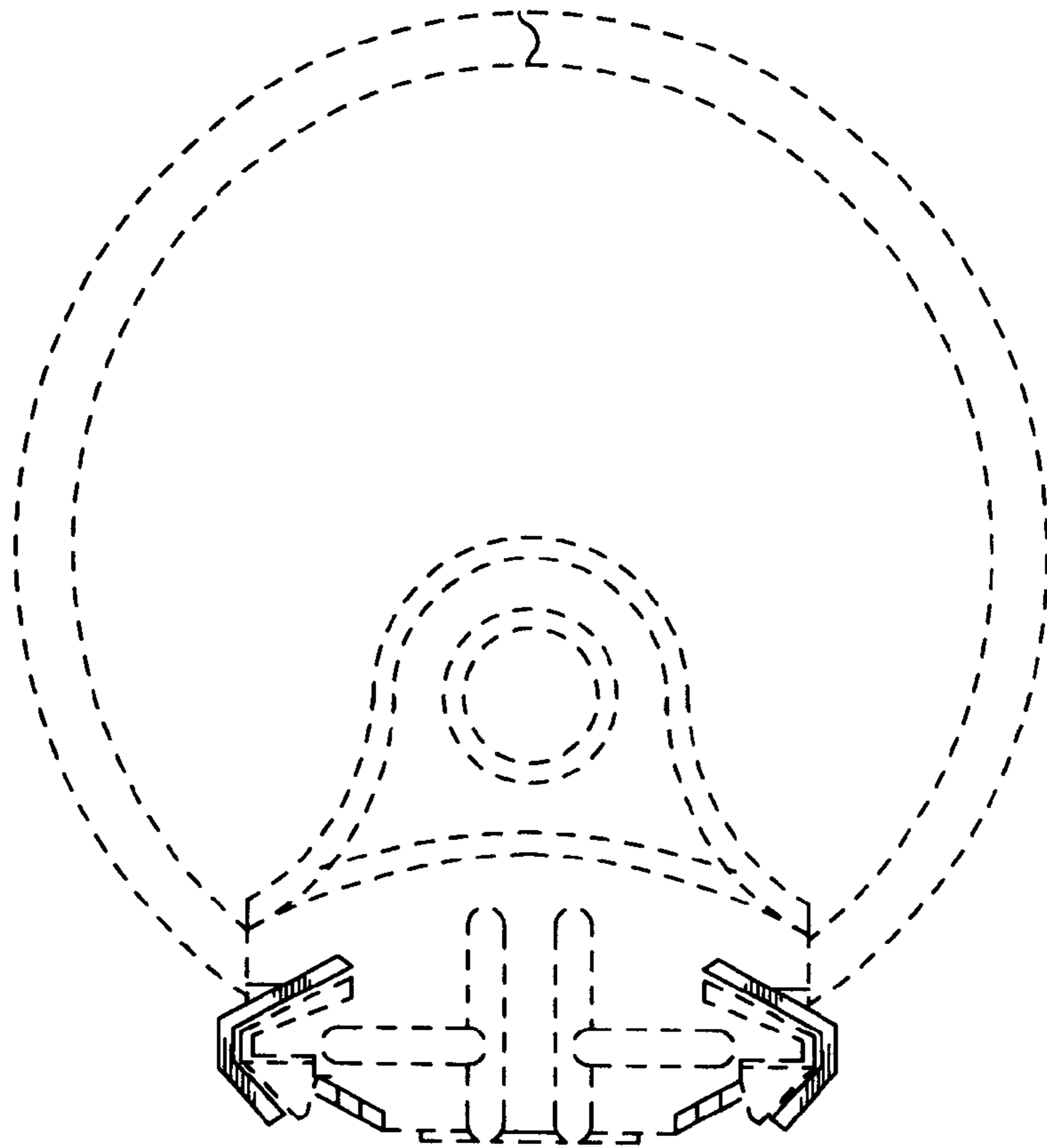


FIG. 7

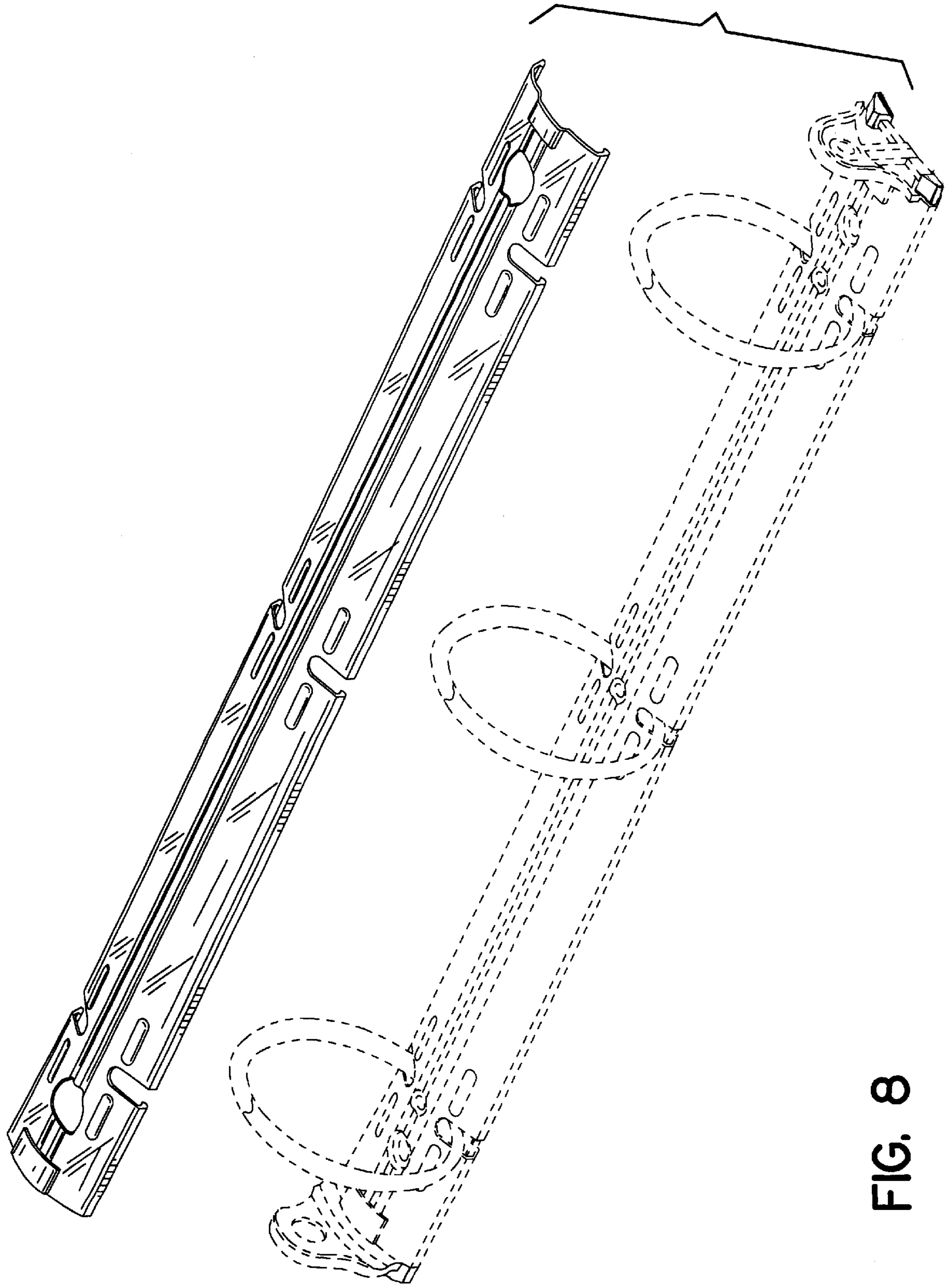


FIG. 8

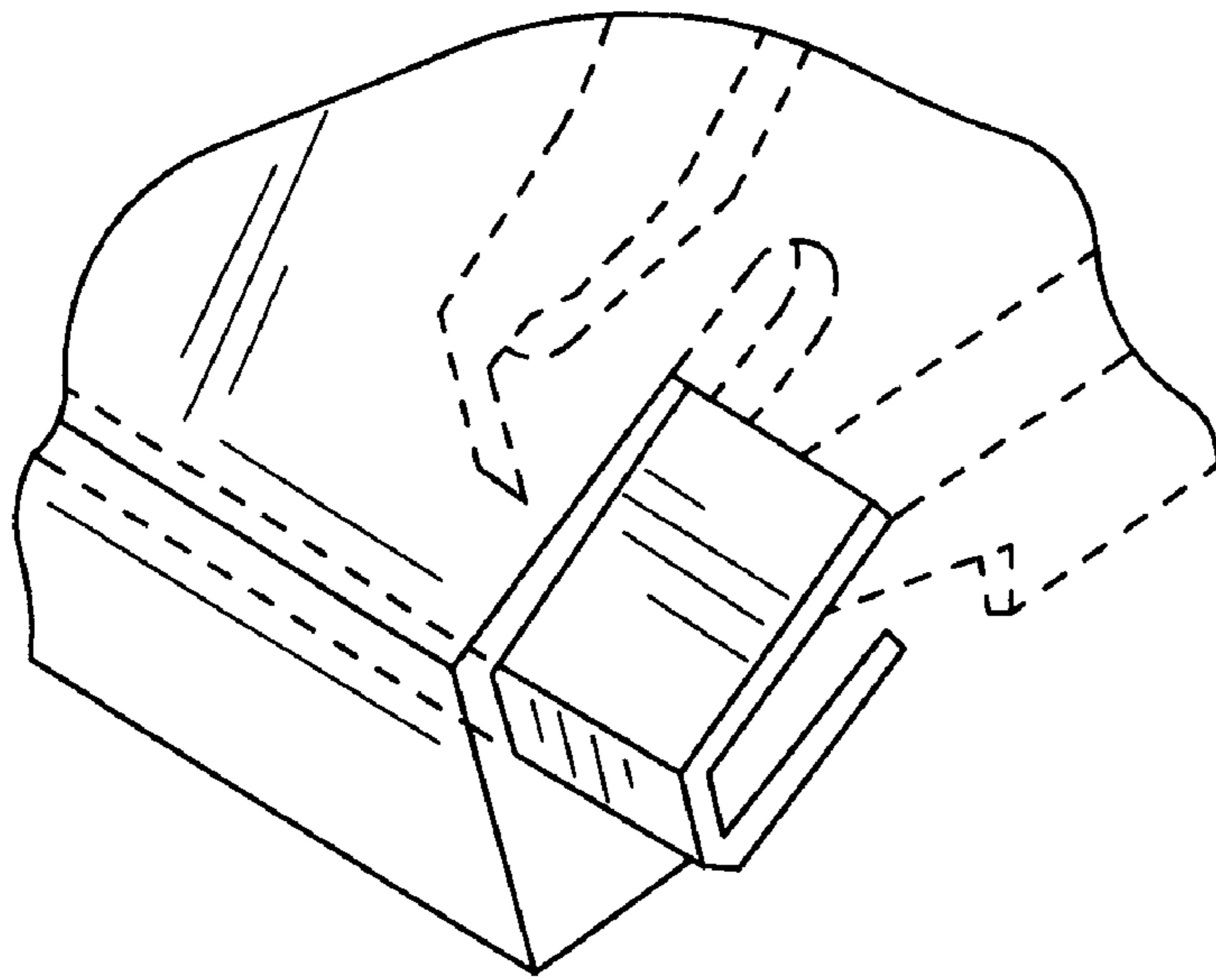


FIG. 9