



US00D473886S

(12) **United States Design Patent**  
**Katayama**

(10) **Patent No.:** **US D473,886 S**

(45) **Date of Patent:** **\*\* Apr. 29, 2003**

(54) **ELECTRONIC STILL CAMERA**

(75) **Inventor:** **Noriko Katayama, Tokyo (JP)**

(73) **Assignee:** **Fuji Photo Film Co., Ltd., Kanagawa (JP)**

(\*\*) **Term:** **14 Years**

(21) **Appl. No.:** **29/163,791**

(22) **Filed:** **Jul. 11, 2002**

(30) **Foreign Application Priority Data**

Jan. 24, 2002 (JP) ..... 2002-001490

(51) **LOC (7) Cl.** ..... **16-01**

(52) **U.S. Cl.** ..... **D16/202**

(58) **Field of Search** ..... D16/200-206,  
D16/208, 209, 218; 348/373-376; 358/909.1

(56) **References Cited**

**U.S. PATENT DOCUMENTS**

- D409,640 S \* 5/1999 Funato ..... D16/202
- D422,611 S 4/2000 Katayama et al. .... D16/202
- D423,544 S \* 4/2000 Yamamoto et al. .... D16/218
- D441,777 S \* 5/2001 Katayama ..... D16/202

D451,114 S \* 11/2001 Tanaka ..... D16/202

6,434,337 B1 \* 8/2002 Misawa ..... 358/909.1

D462,706 S \* 9/2002 Hamamura ..... D16/202

\* cited by examiner

*Primary Examiner*—Adir Aronovich

(74) *Attorney, Agent, or Firm*—Young & Thompson

(57) **CLAIM**

The ornamental design for an electronic still camera, as shown and described.

**DESCRIPTION**

FIG. 1 is a front, top side perspective view of an electronic still camera showing my new design;

FIG. 2 is a front elevational view thereof;

FIG. 3 is a rear elevational view thereof;

FIG. 4 is a top plan view thereof;

FIG. 5 is a bottom plan view thereof;

FIG. 6 is a side elevational view thereof from the left of FIG. 2;

FIG. 7 is a side elevational view thereof from the right of FIG. 2; and,

FIG. 8 is a view similar to FIG. 1, but with the parts in a different position.

**1 Claim, 4 Drawing Sheets**

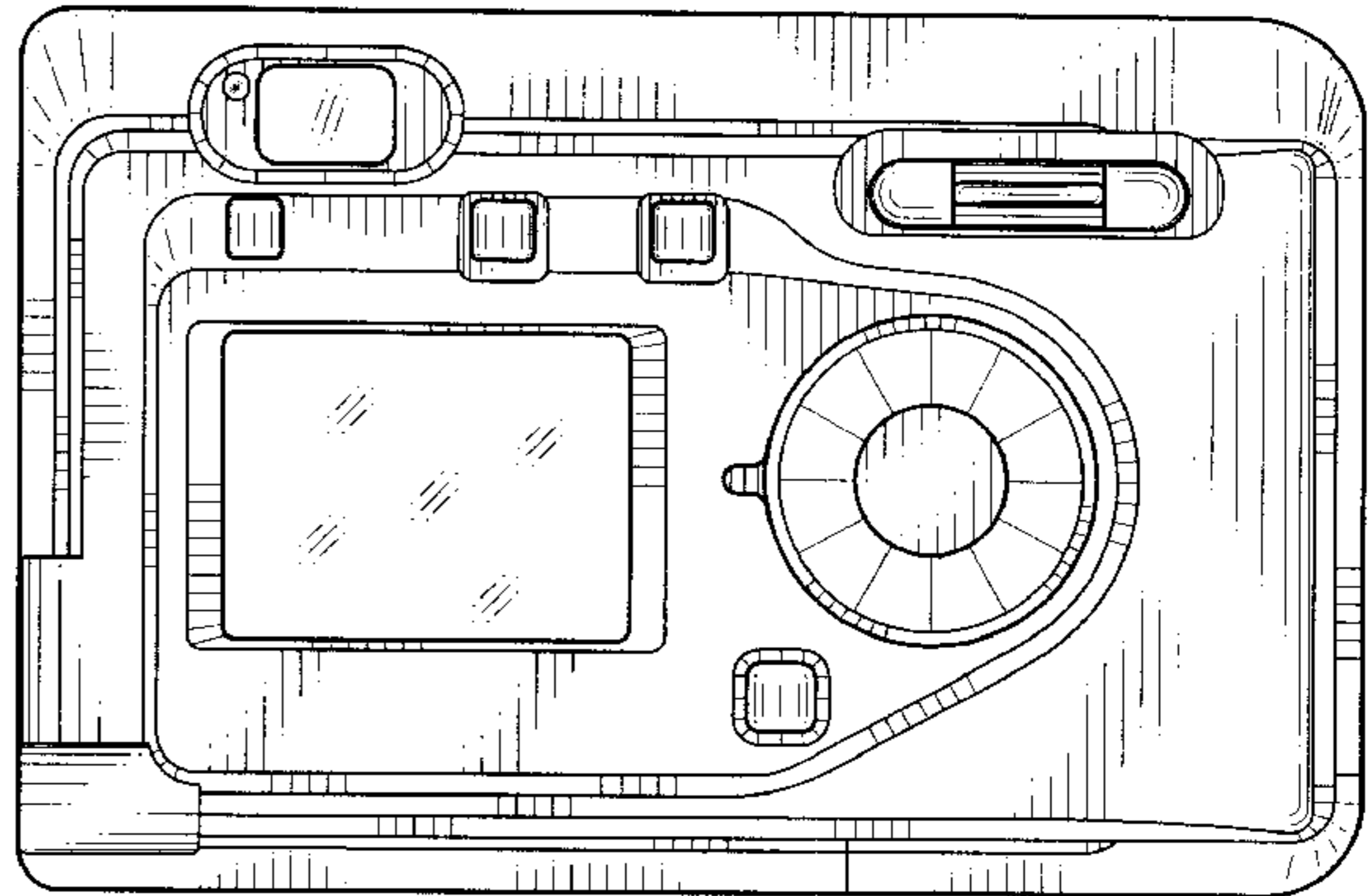
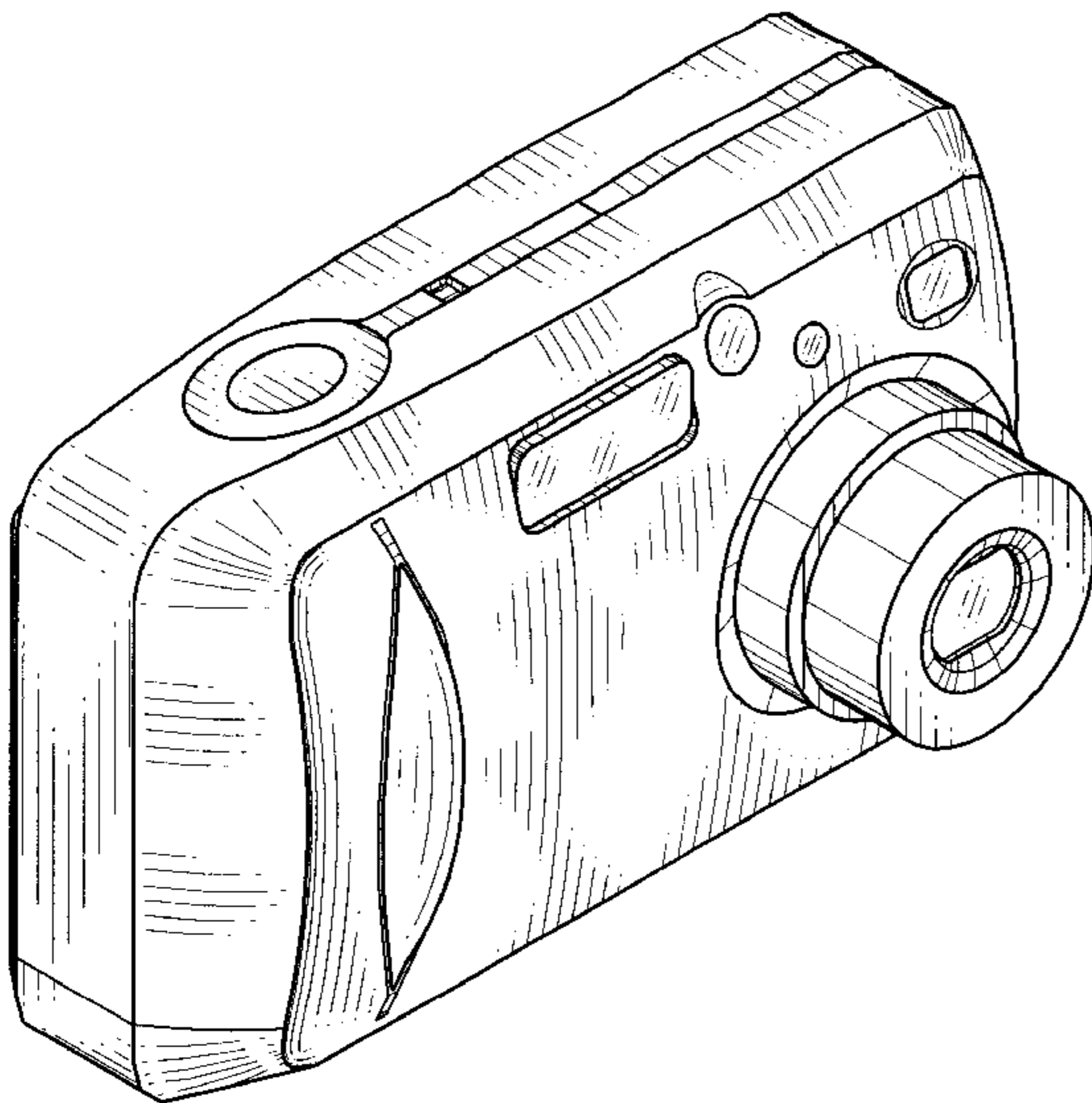


FIG. 1

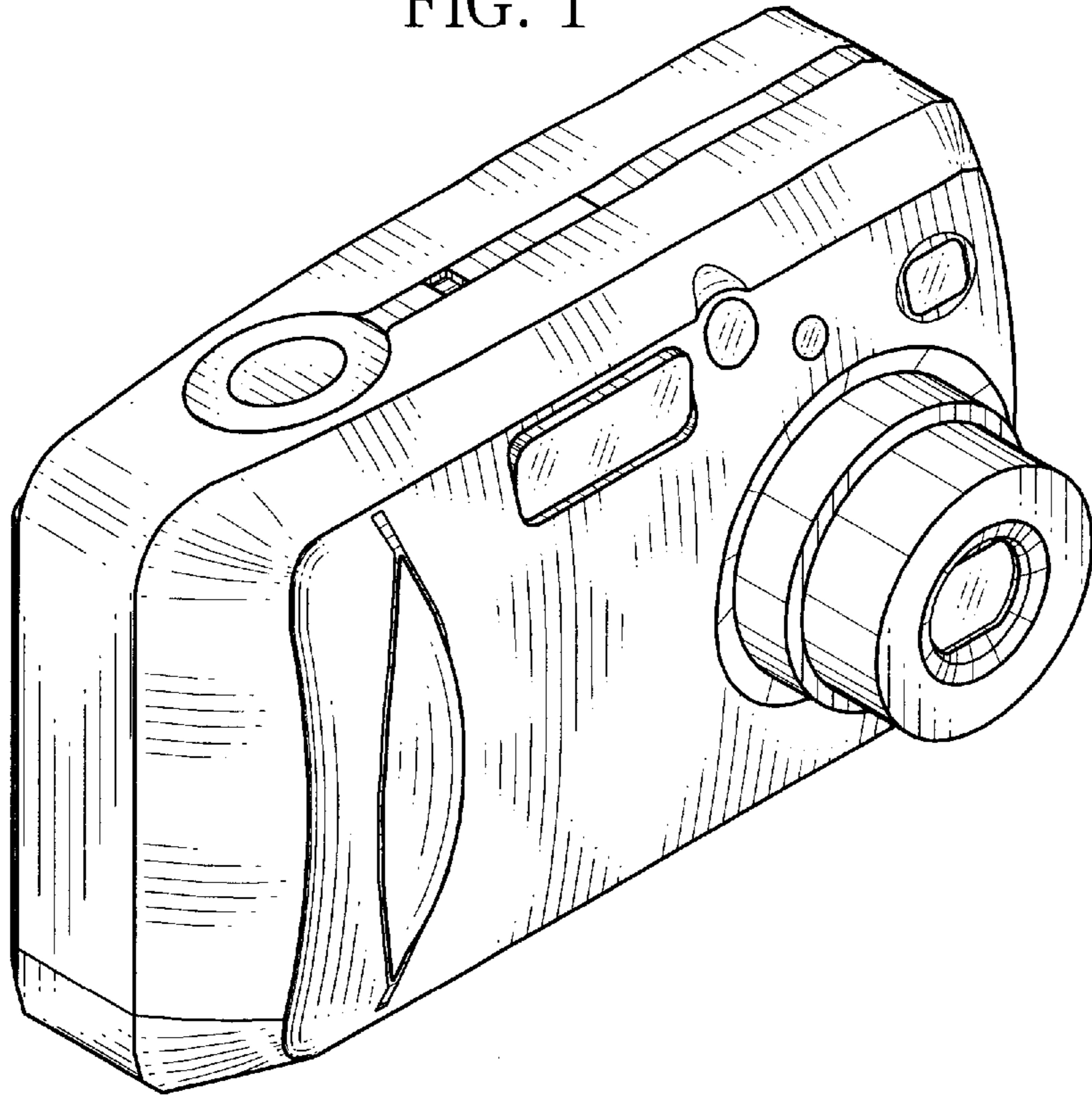


FIG. 2

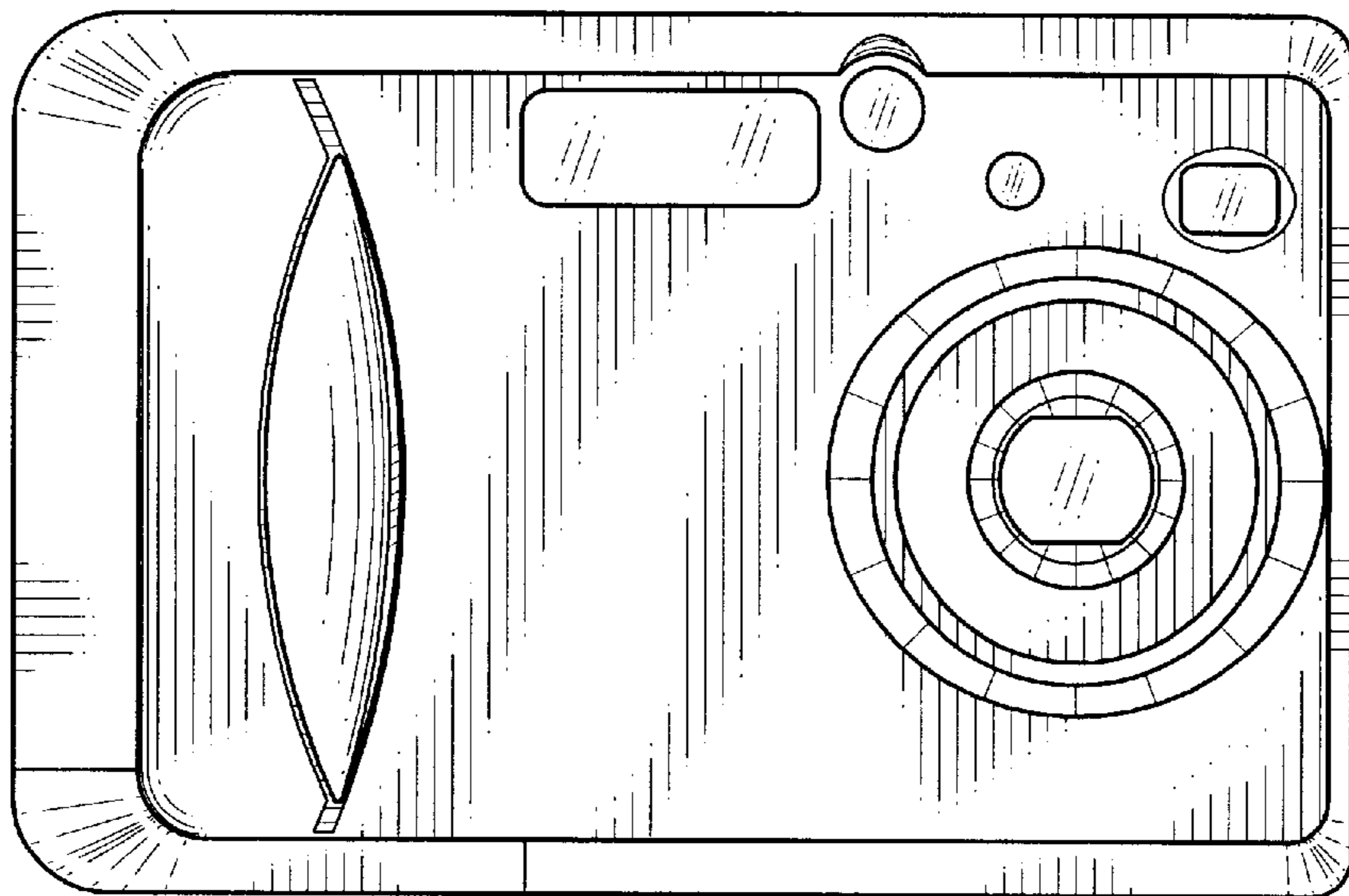


FIG. 3

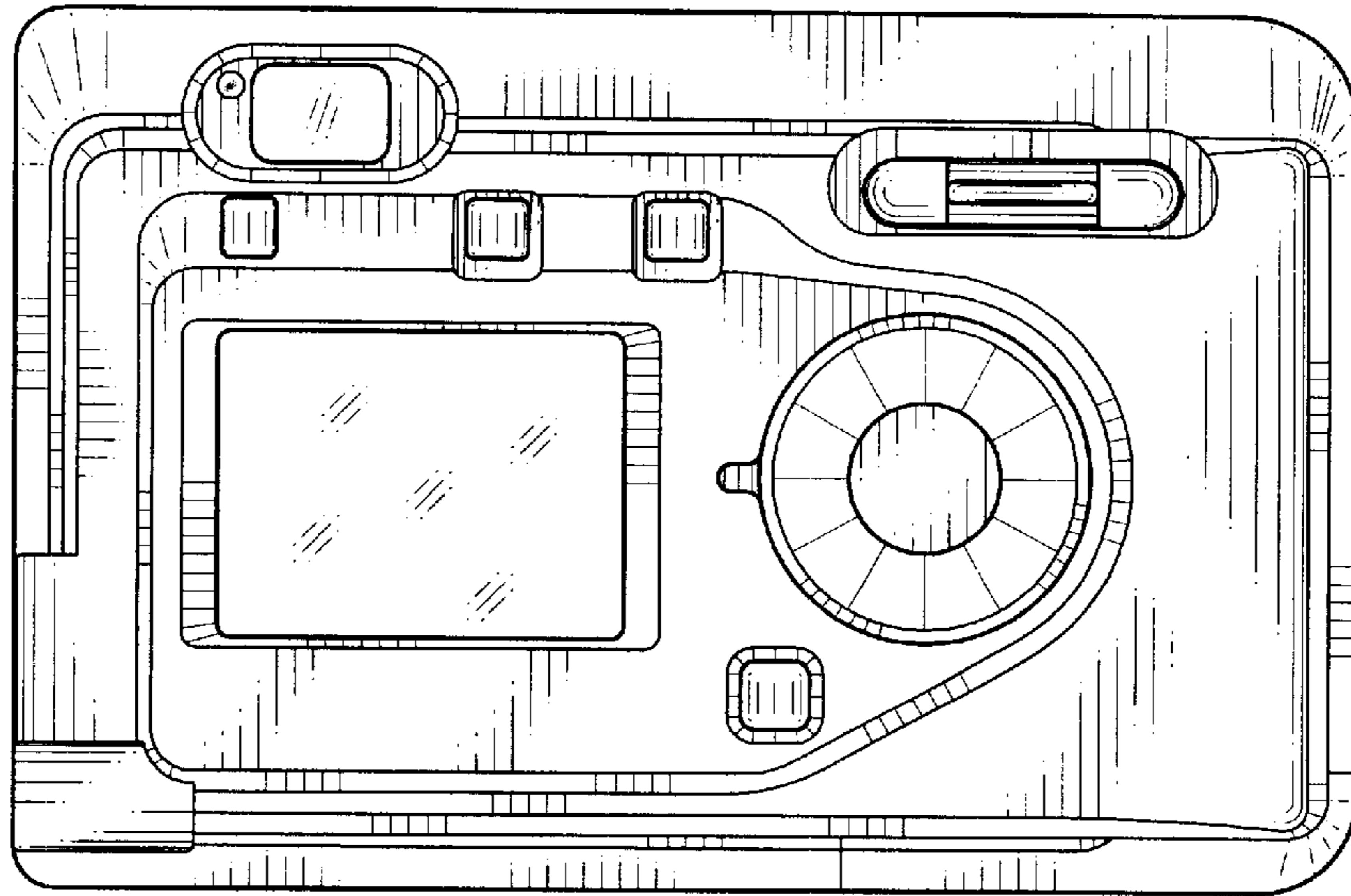


FIG. 4

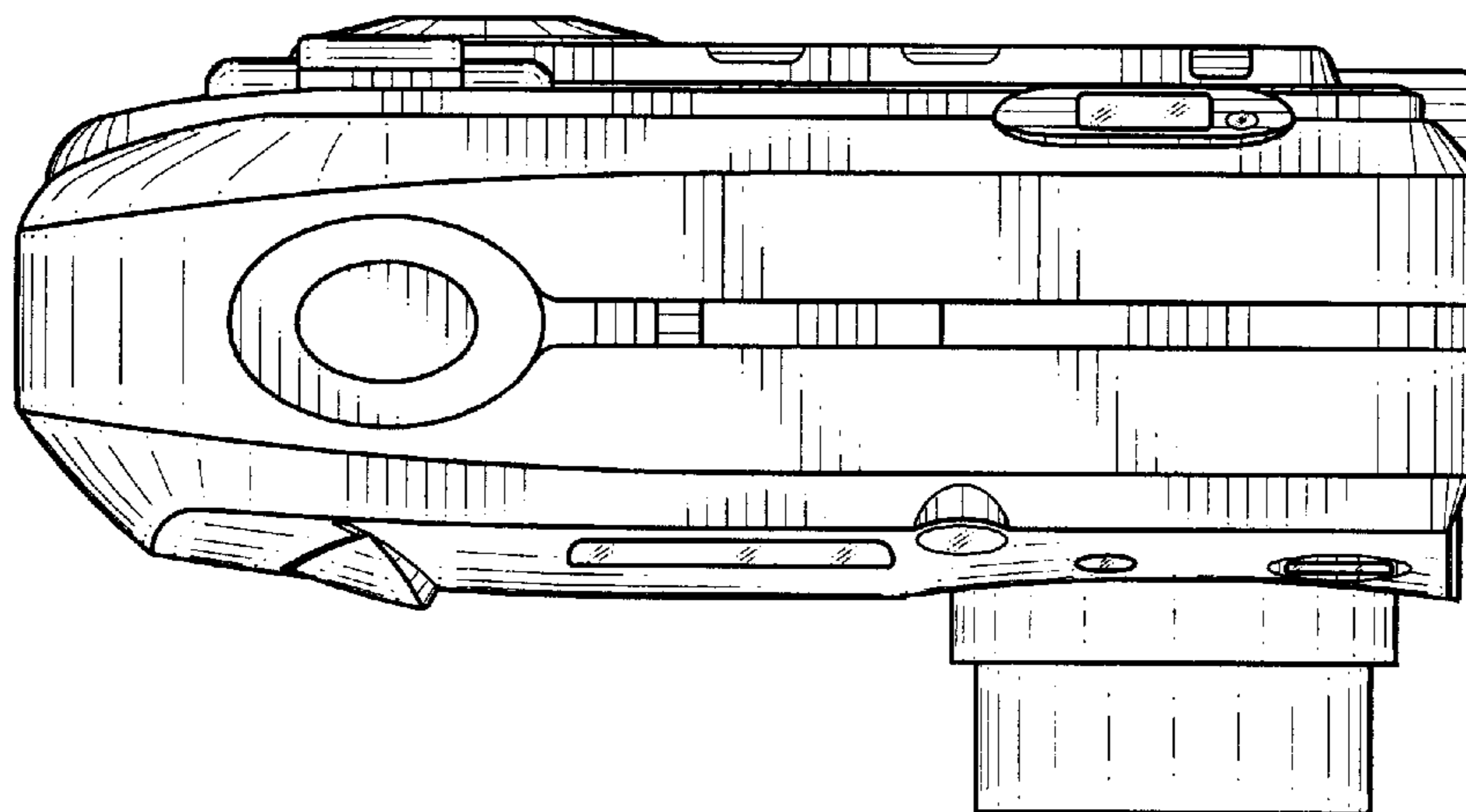


FIG. 5

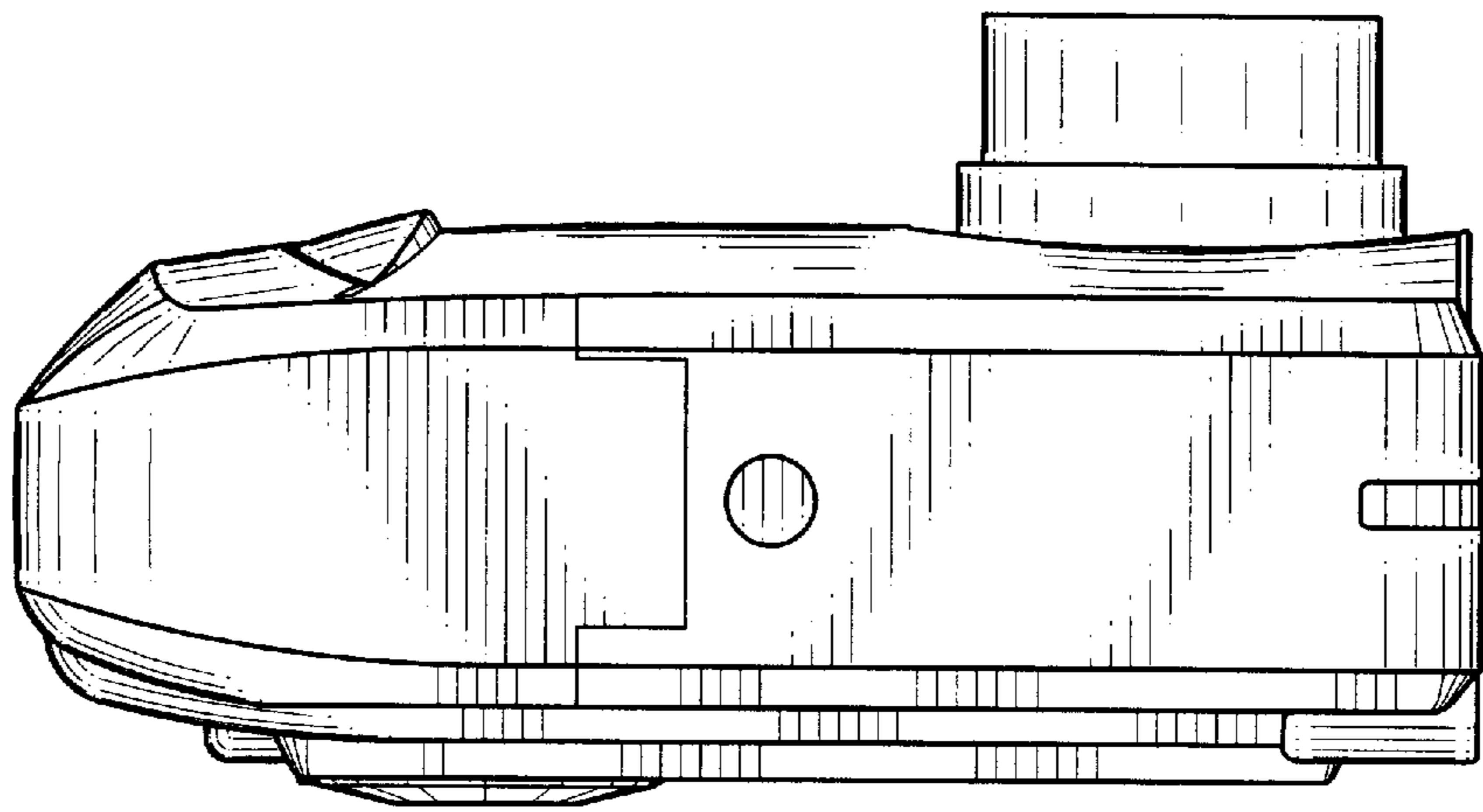


FIG. 6

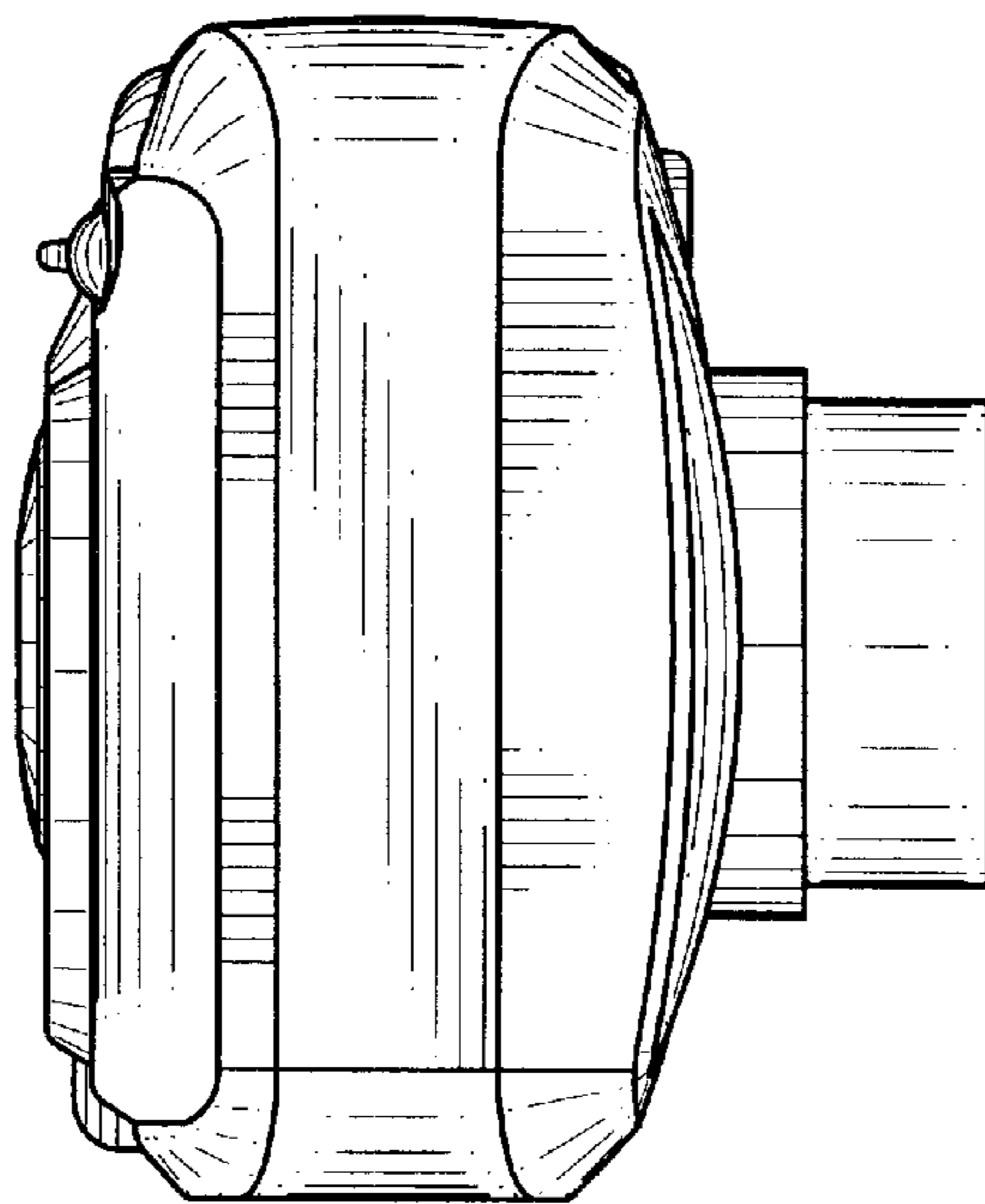




FIG. 7

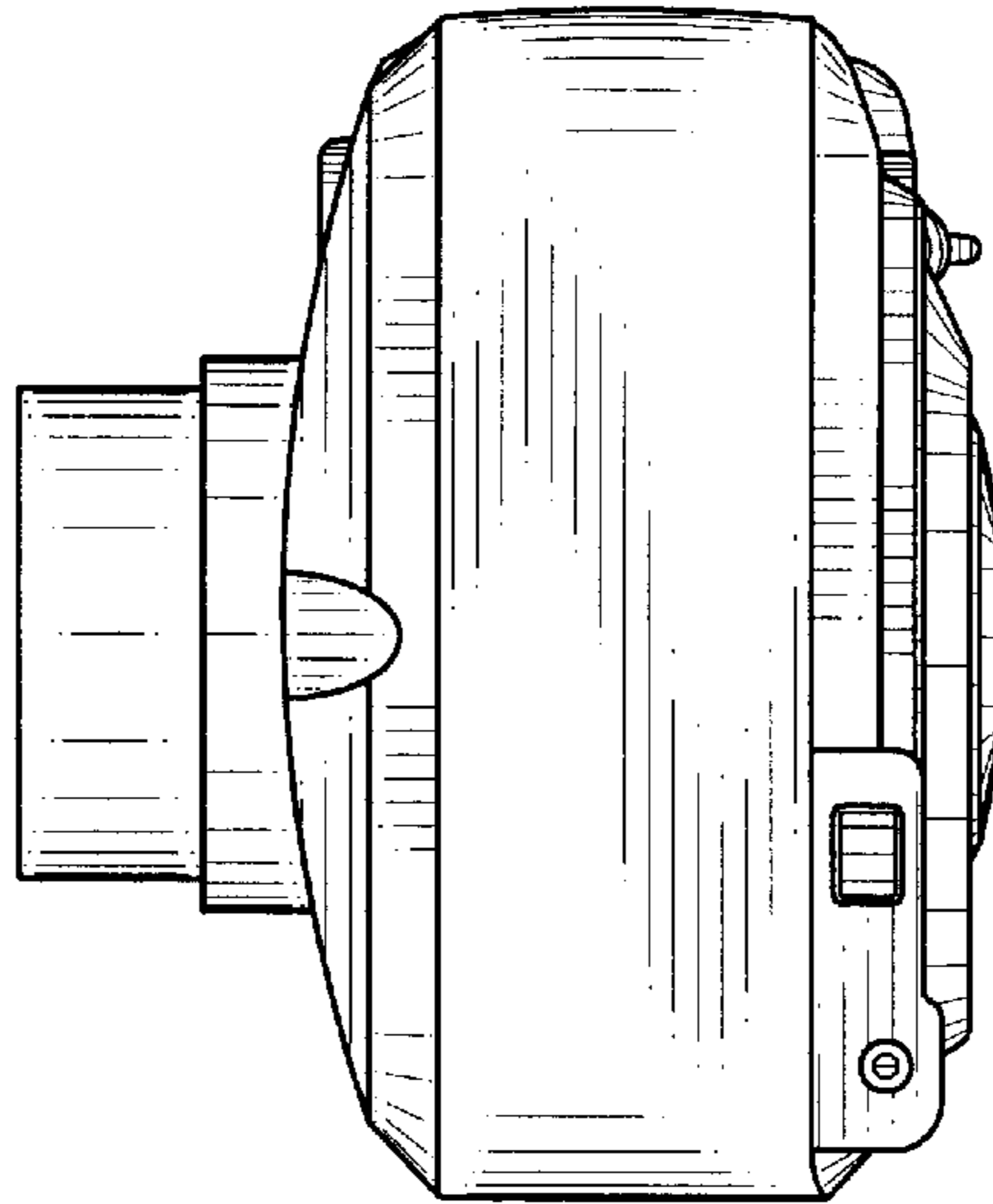


FIG. 8

