



US00D473881S

(12) **United States Design Patent**
Kuwae

(10) **Patent No.:** **US D473,881 S**

(45) **Date of Patent:** **** Apr. 29, 2003**

(54) **HEADLIGHT PORTION OF TRACTOR**

(75) Inventor: **Junta Kuwae**, Osaka (JP)

(73) Assignee: **Kubota Corporation** (JP)

(**) Term: **14 Years**

(21) Appl. No.: **29/156,018**

(22) Filed: **Feb. 22, 2002**

(30) **Foreign Application Priority Data**

Nov. 22, 2001 (JP) 2001-034306

(51) **LOC (7) Cl.** **15-03**

(52) **U.S. Cl.** **D15/28**

(58) **Field of Search** D15/15, 22-26,
D15/28, 31; 180/68.1, 69.21, 69.22, 69.24,
69.25, 89.1, 89.12, 89.19, 900; 56/13.3,
15.9, 16.1, 16.7, 17.4, 202, 255, 13.4, 15.6,
294, 320.1, 320.2; 382/485

(56) **References Cited**

U.S. PATENT DOCUMENTS

5,490,574 A * 2/1996 Ishiizumi et al. 180/68.1
D460,087 S * 7/2002 Crookes et al. D15/28
6,447,152 B1 * 9/2002 Goebert 362/485

* cited by examiner

Primary Examiner—Mitchell Siegel

(74) *Attorney, Agent, or Firm*—Webb Ziesenheim Logsdon Orkin & Hanson, P.C.

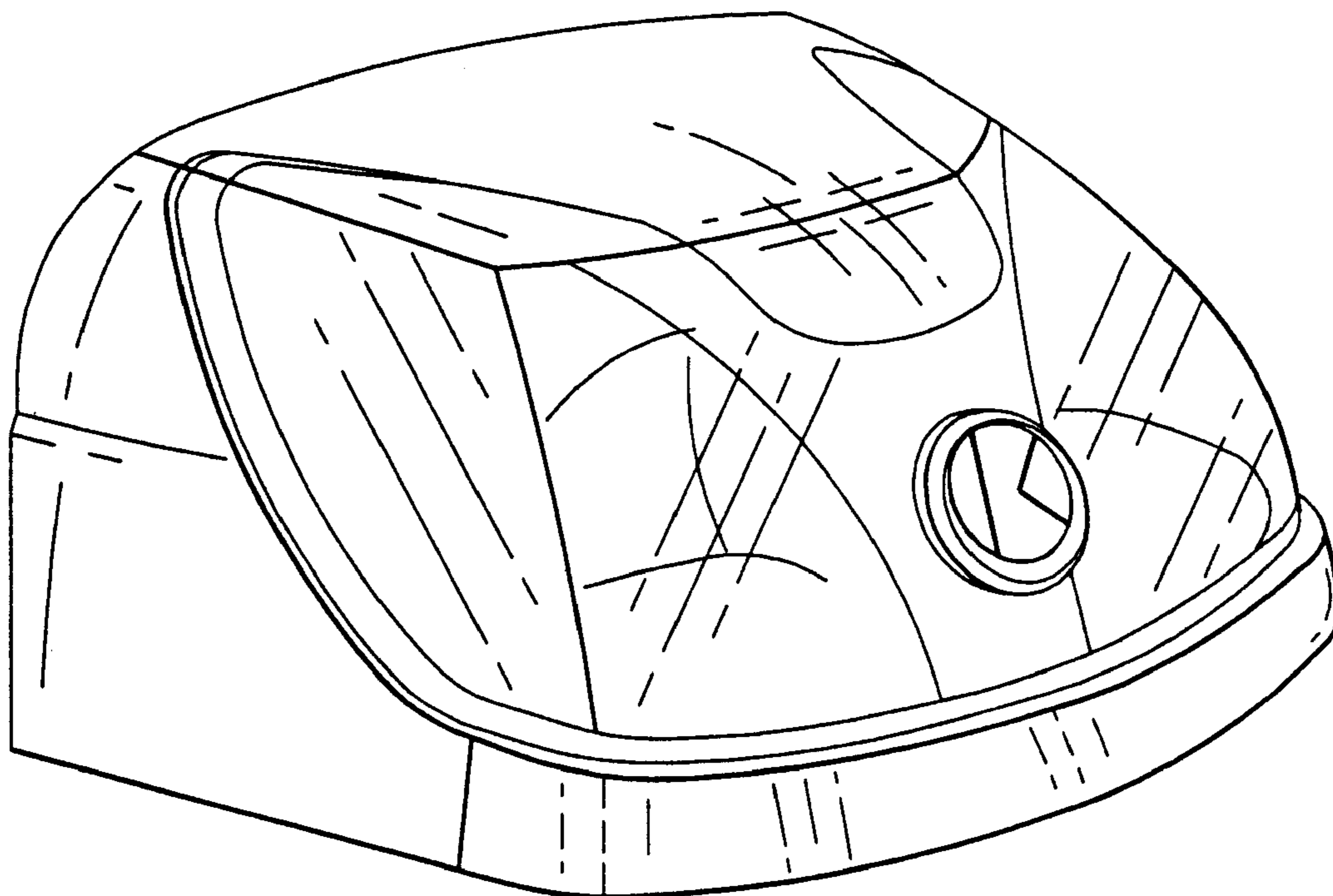
(57) **CLAIM**

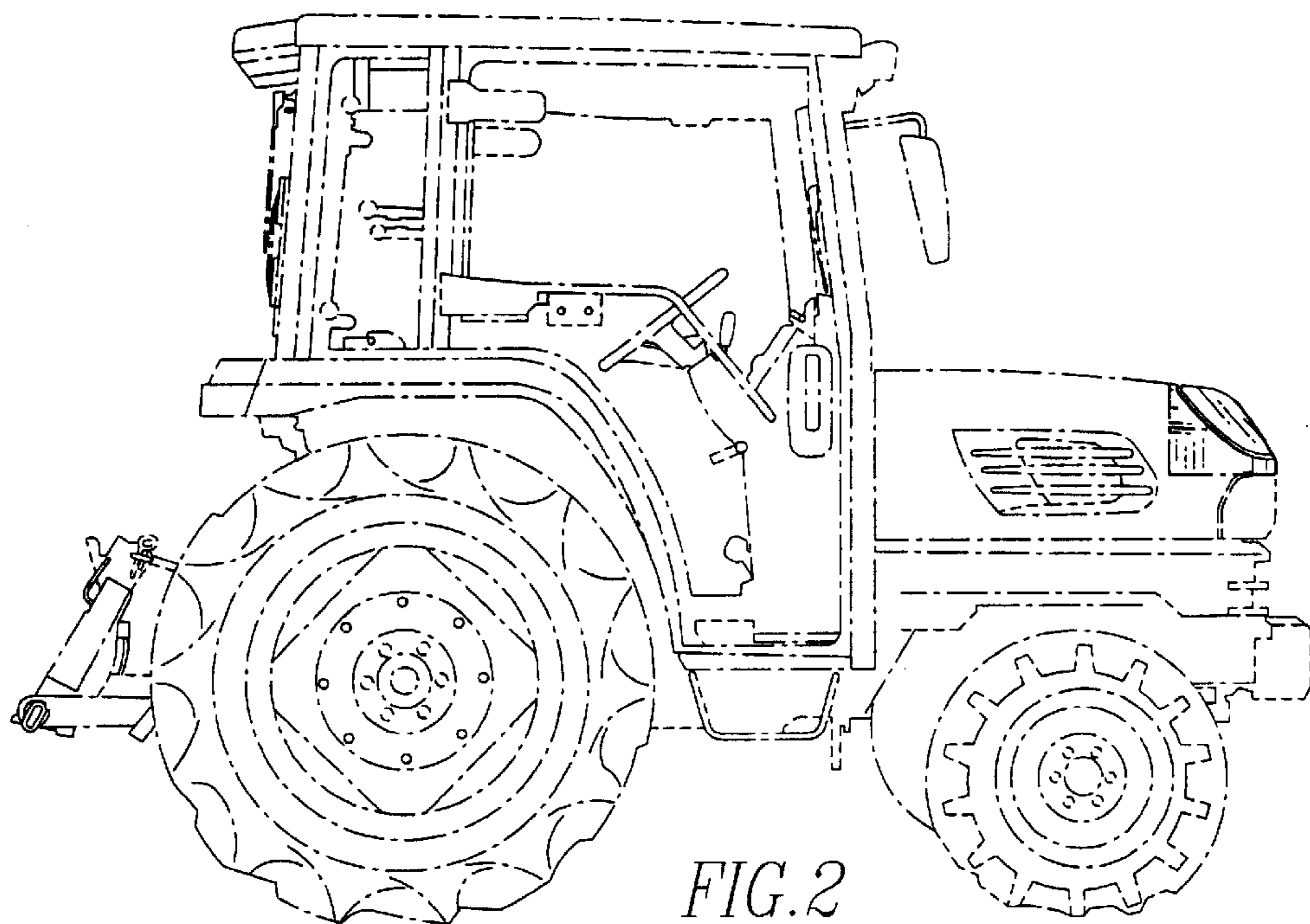
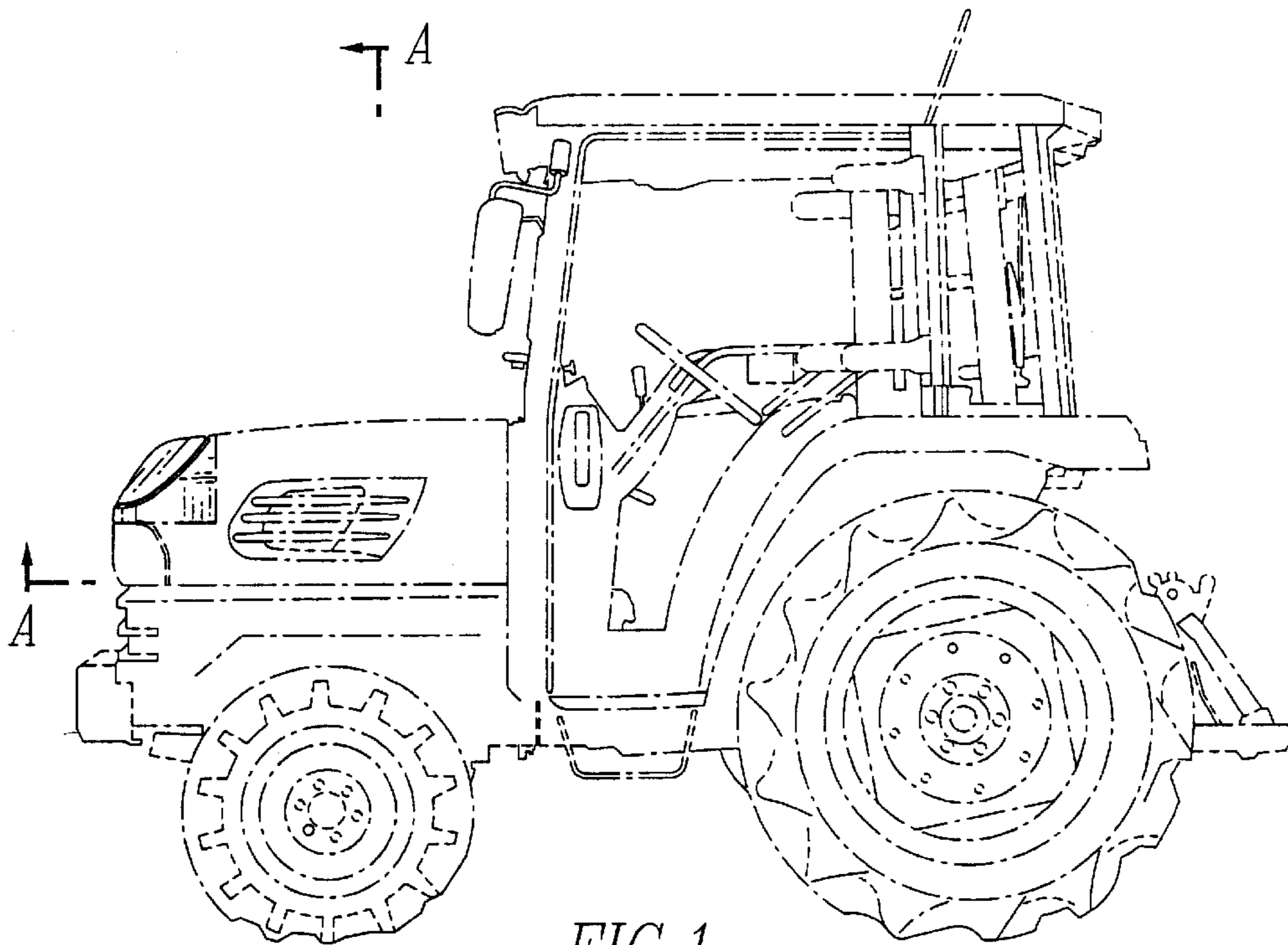
The ornamental design for a headlight portion of tractor, as shown and described.

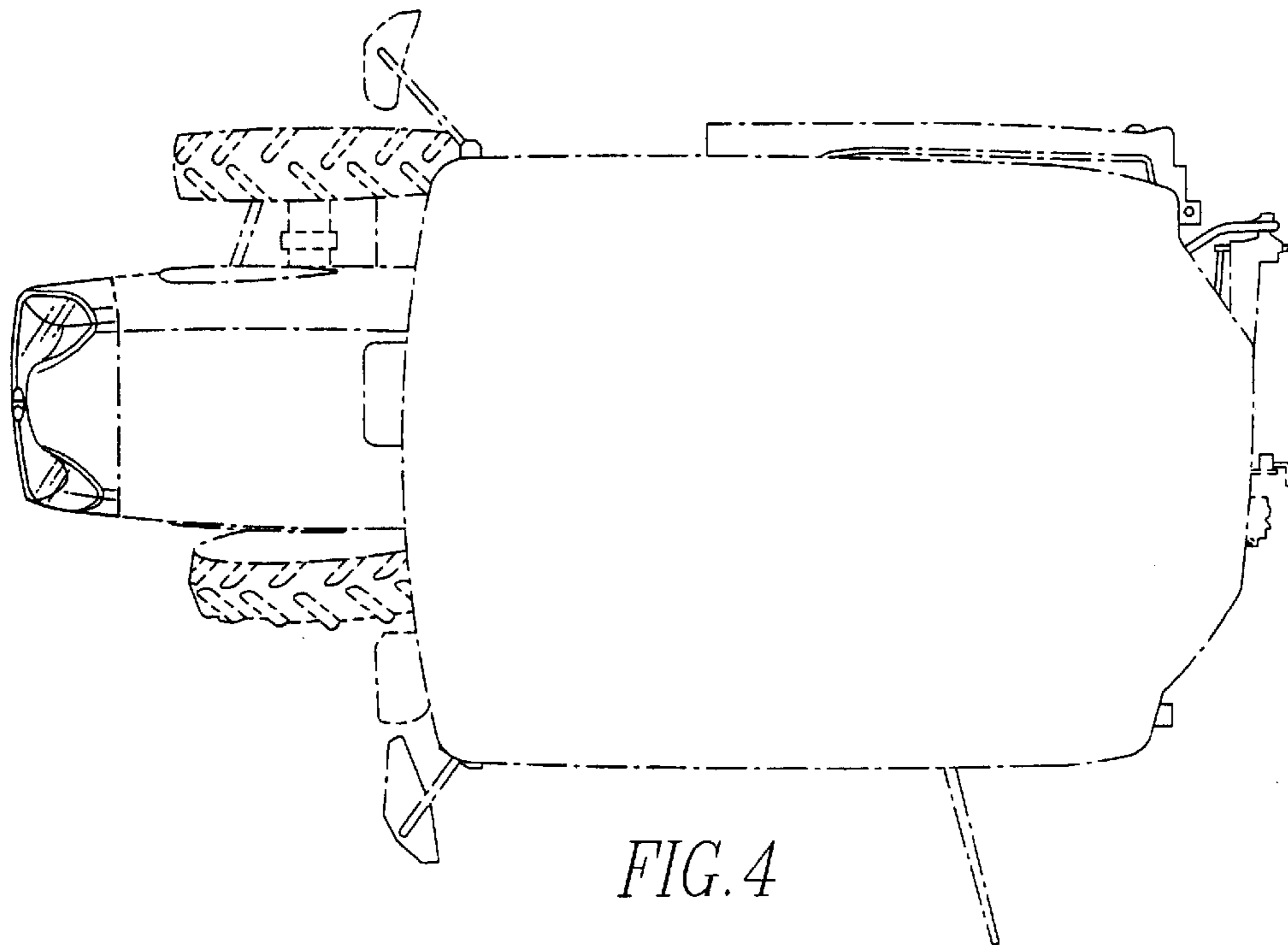
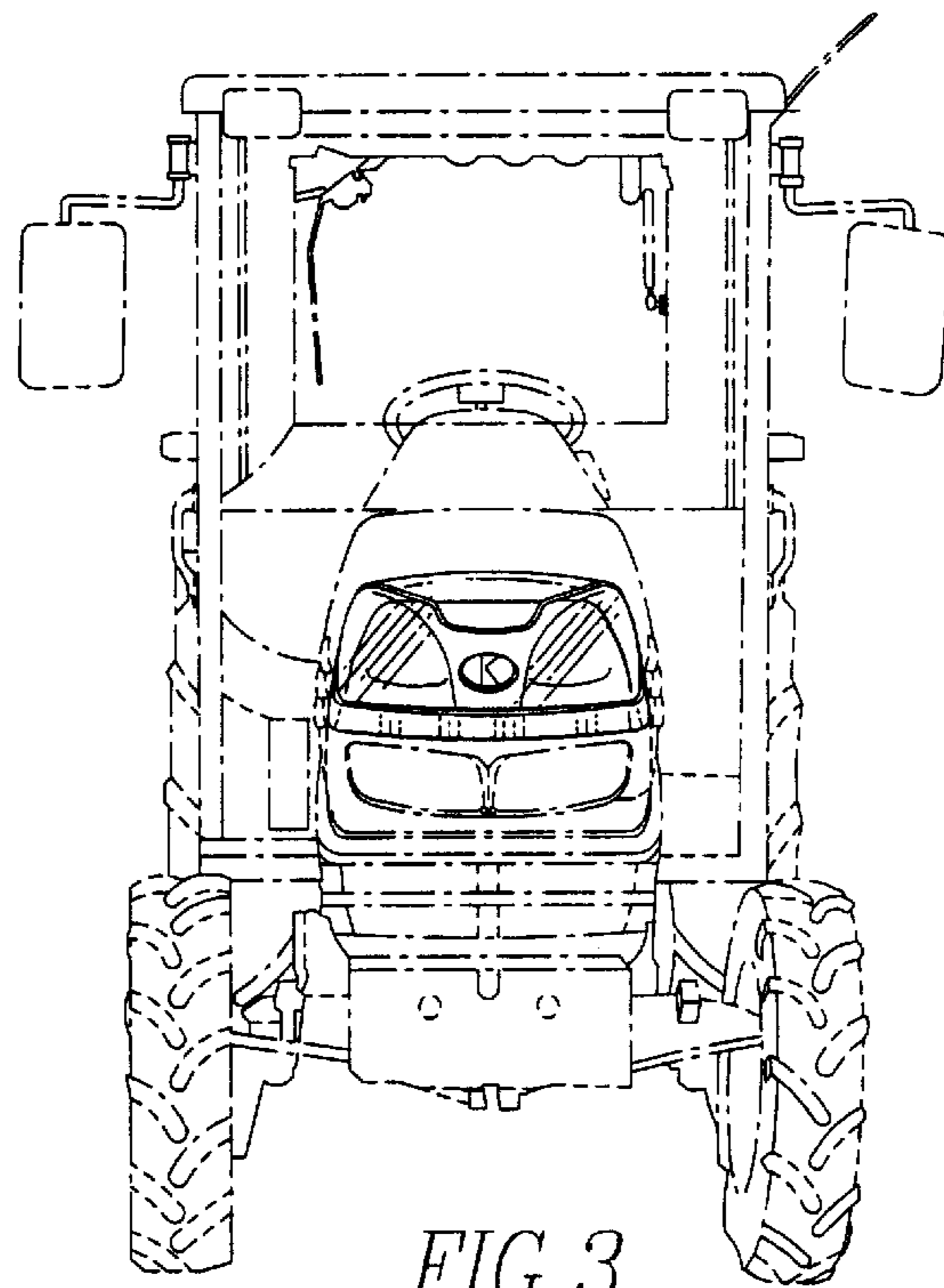
DESCRIPTION

FIG. 1 is a right side view of a headlight portion of tractor, wherein the tractor as shown is environmental structure and does not form part of the design of the invention;
FIG. 2 is a left side view thereof, wherein the tractor as shown is environmental structure and does not form part of the design of the invention;
FIG. 3 is a front side view thereof, wherein the tractor as shown is environmental structure and does not form part of the design of the invention;
FIG. 4 is a top plan view thereof, wherein the tractor as shown is environmental structure and does not form part of the design of the invention;
FIG. 5 is an enlarged right side view thereof, wherein the portion of the tractor as shown is environmental structure and forms no part of the design of the invention;
FIG. 6 is an enlarged front view thereof;
FIG. 7 is a left side perspective view thereof; and,
FIG. 8 is a right side perspective view thereof.
The broken line showing is for illustrative purposes only and forms no part of the claimed design.

1 Claim, 4 Drawing Sheets







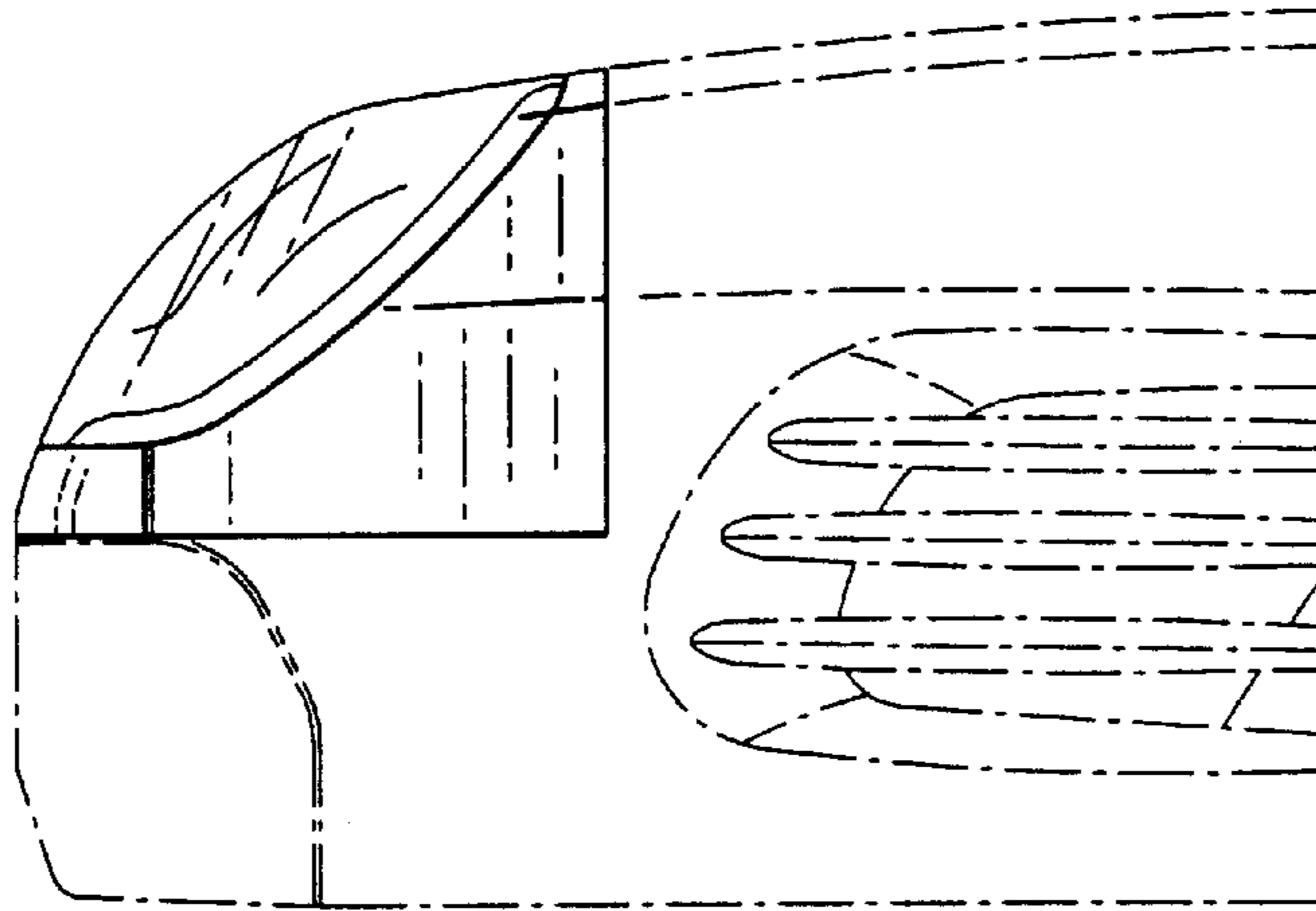


FIG. 5

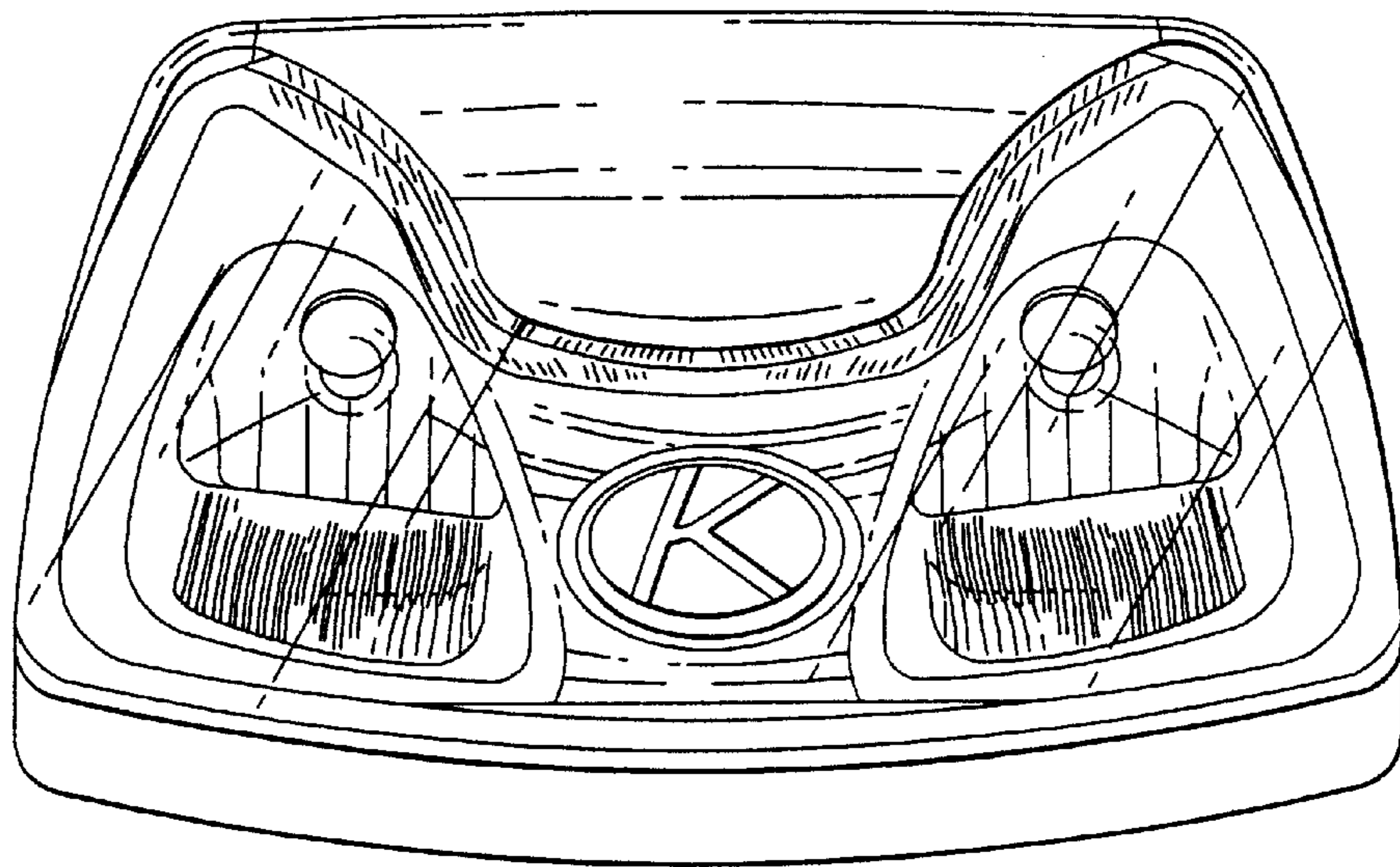


FIG. 6

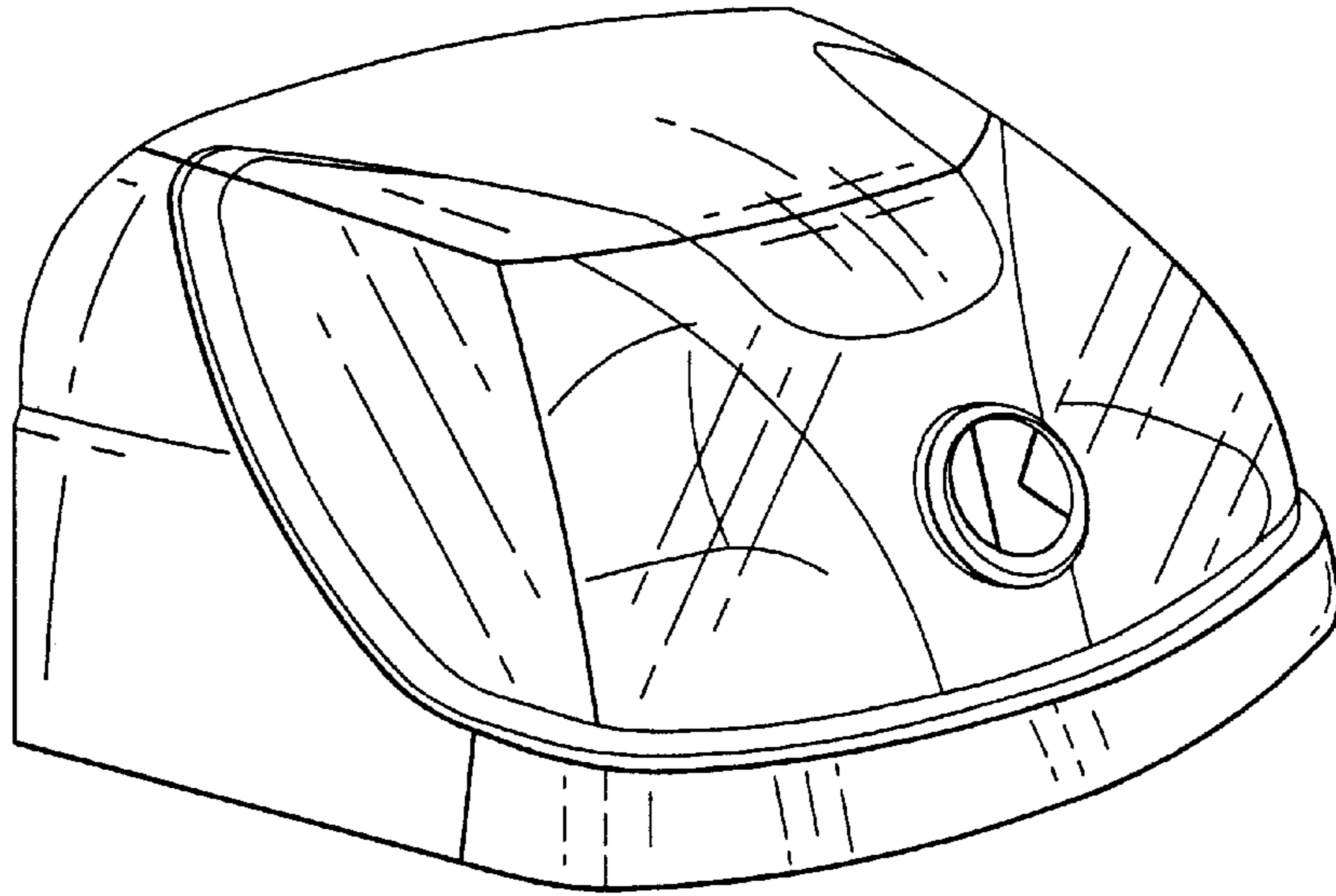


FIG. 7

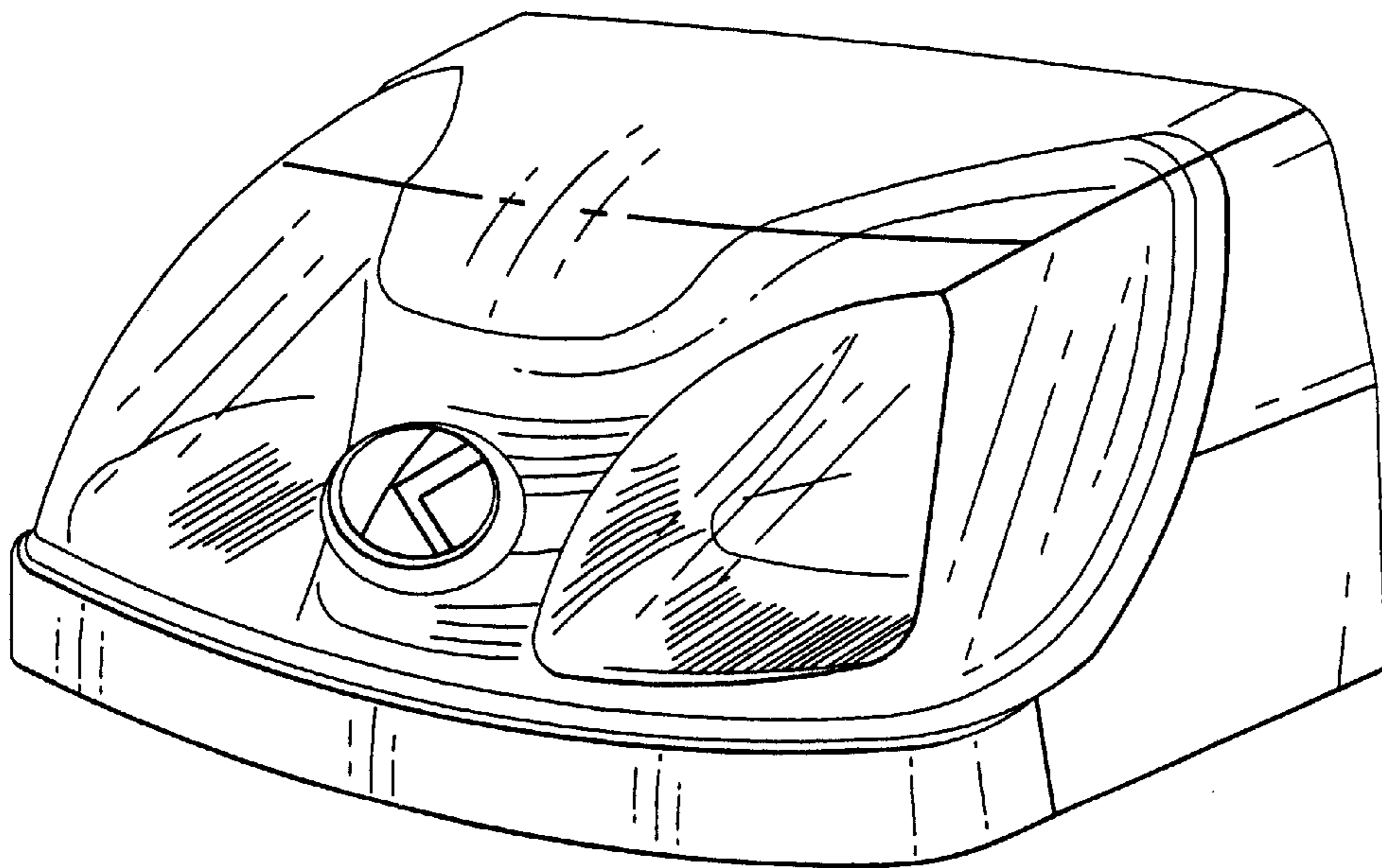


FIG. 8