



US00D473878S

(12) **United States Design Patent**
Park

(10) **Patent No.:** **US D473,878 S**

(45) **Date of Patent:** **** Apr. 29, 2003**

(54) **MONITOR PROP**

(75) **Inventor:** **Sea La Park, Seoul (KR)**

(73) **Assignee:** **LG Electronics Inc., Seoul (KR)**

(**) **Term:** **14 Years**

(21) **Appl. No.:** **29/142,379**

(22) **Filed:** **May 25, 2001**

(30) **Foreign Application Priority Data**

Nov. 27, 2000 (KR) 2000-30234

(51) **LOC (7) Cl.** **14-02**

(52) **U.S. Cl.** **D14/451; D14/447**

(58) **Field of Search** D14/448, 451,
D14/452; 248/917-924, 346.01, 346.02,
349.1, 425, 371, 179.1; D6/455, 498, 495

(56) **References Cited**

U.S. PATENT DOCUMENTS

- D386,782 S * 11/1997 Sasaki D14/451
- 5,755,420 A * 5/1998 Wu et al. 248/371
- 5,895,021 A * 4/1999 Rosenband et al. 248/349.1

6,116,560 A * 9/2000 Kim 248/371

* cited by examiner

Primary Examiner—Kay H. Chin

(74) *Attorney, Agent, or Firm*—Birch, Stewart, Kolasch & Birch, LLP

(57) **CLAIM**

The ornamental design for a monitor prop, as shown and described.

DESCRIPTION

FIG. 1 is a front perspective view of a monitor prop showing my new design;

FIG. 2 is a front elevation view thereof;

FIG. 3 is a rear elevation view thereof;

FIG. 4 is a left side elevation view thereof, the right side view being a mirror image of that shown;

FIG. 5 is a top plan view thereof;

FIG. 6 is a bottom plan view thereof;

FIG. 7 is a perspective view thereof with the door in an open position; and,

FIG. 8 is a front perspective view thereof showing a monitor on its upper surface, the monitor not being part of the claimed design.

1 Claim, 5 Drawing Sheets

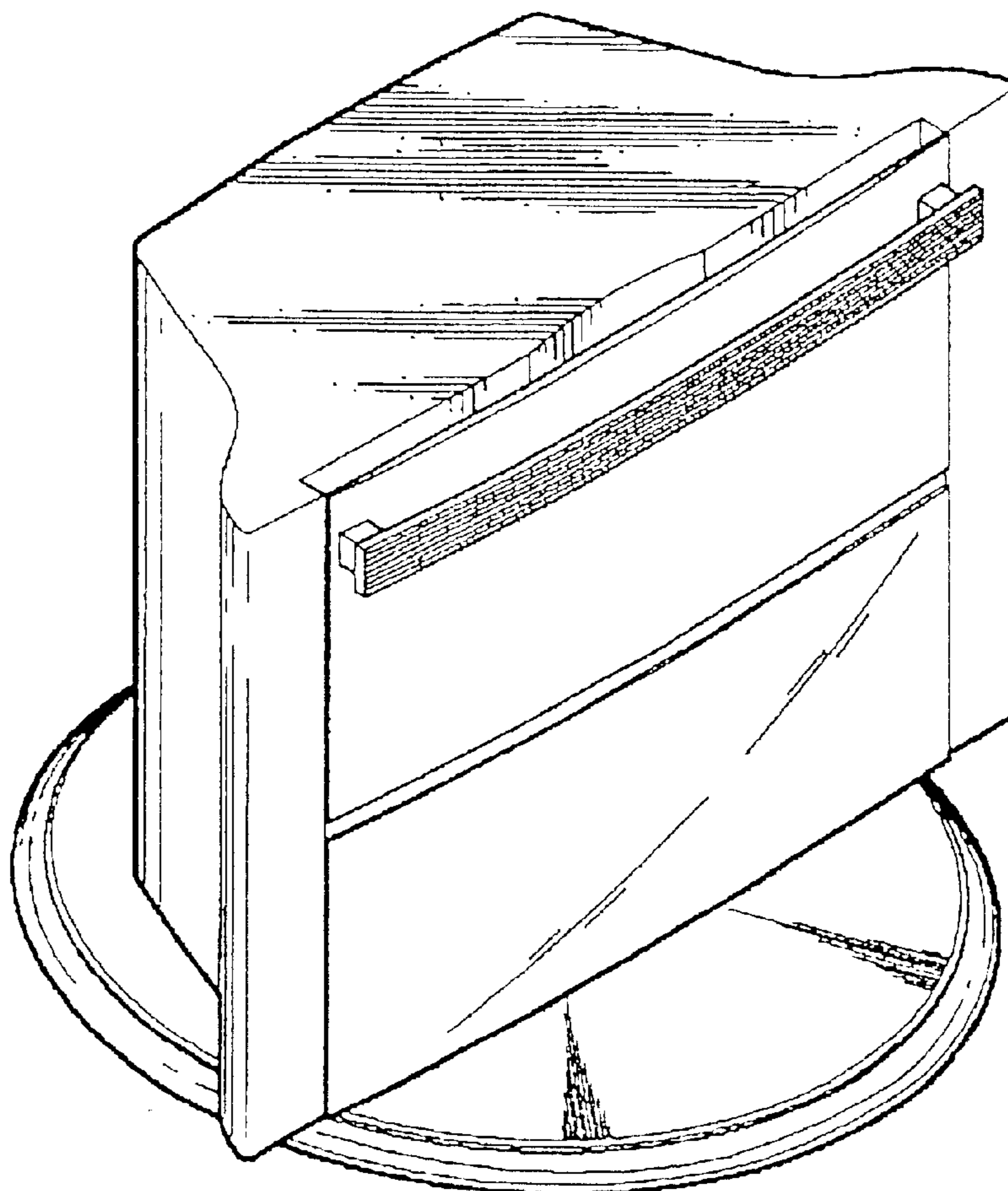


FIGURE 1

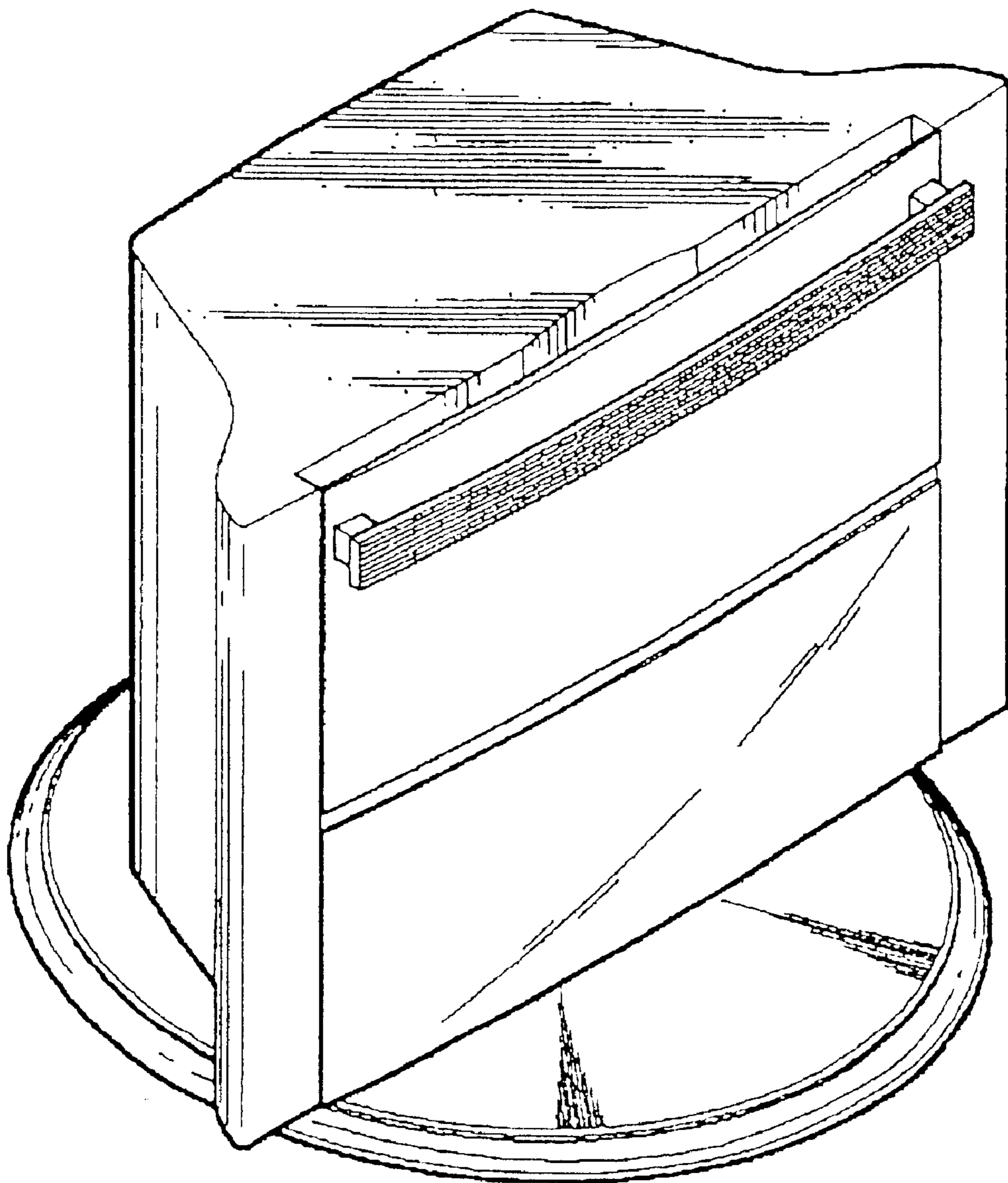


FIGURE 2

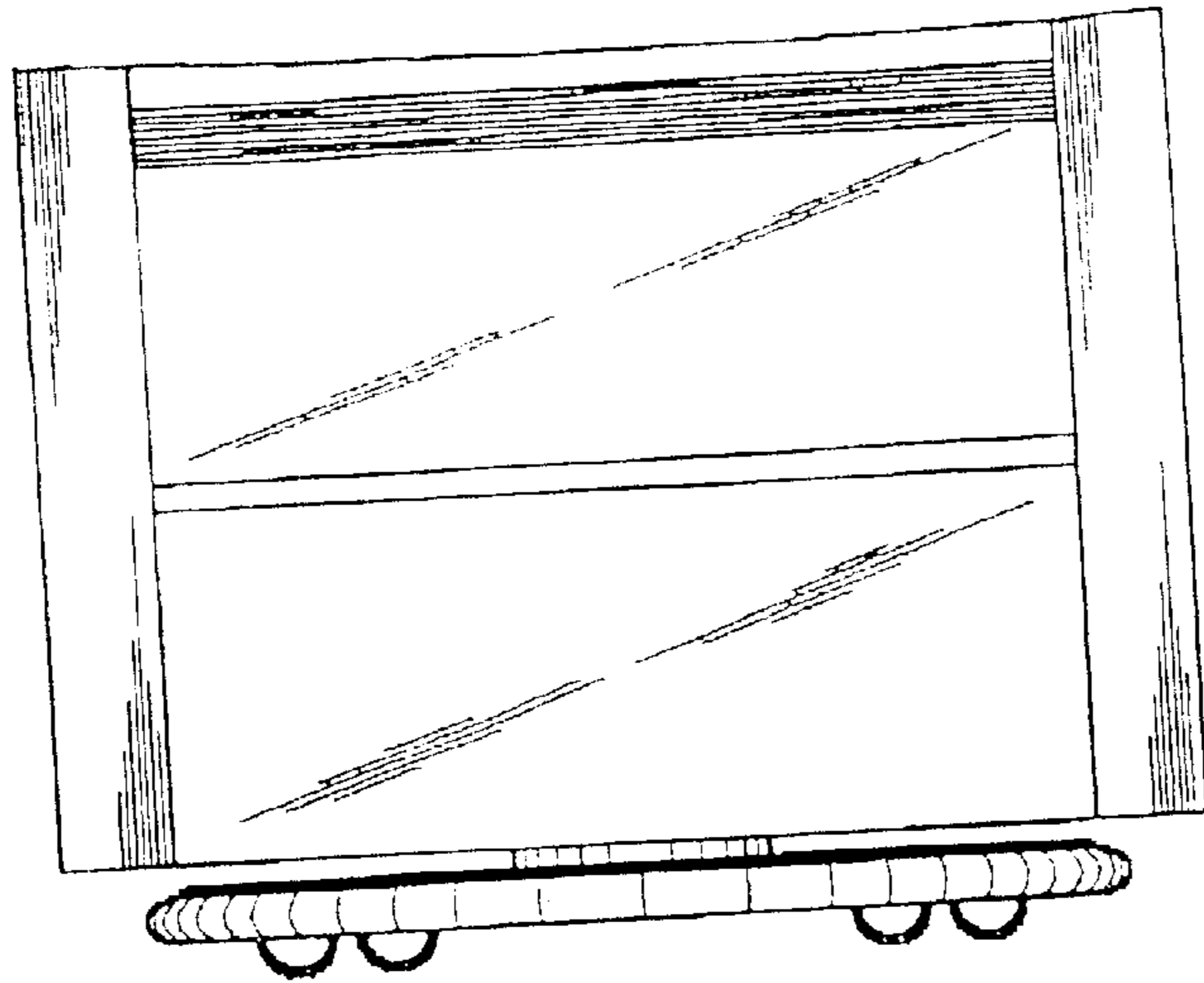


FIGURE 3

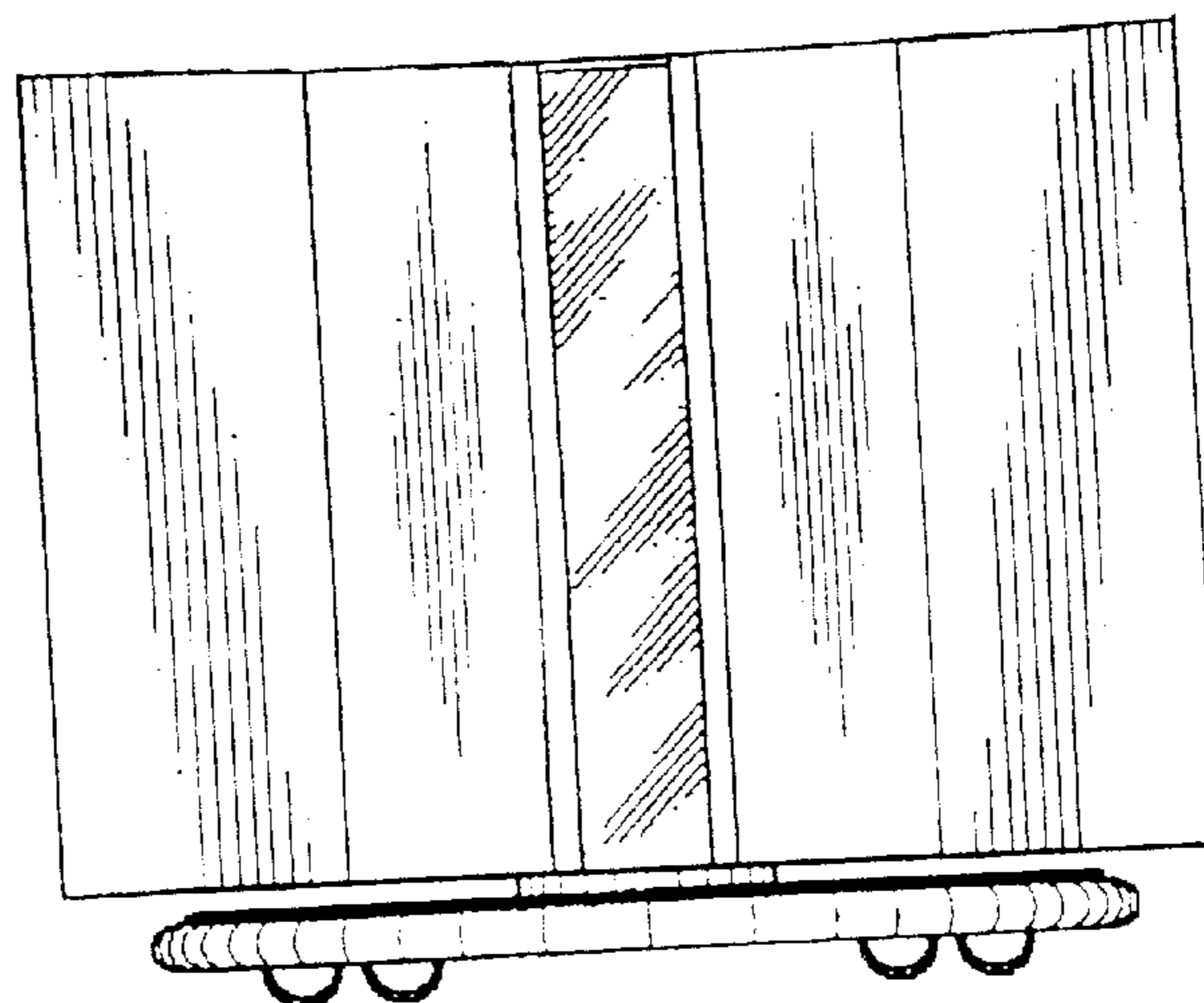


FIGURE 4

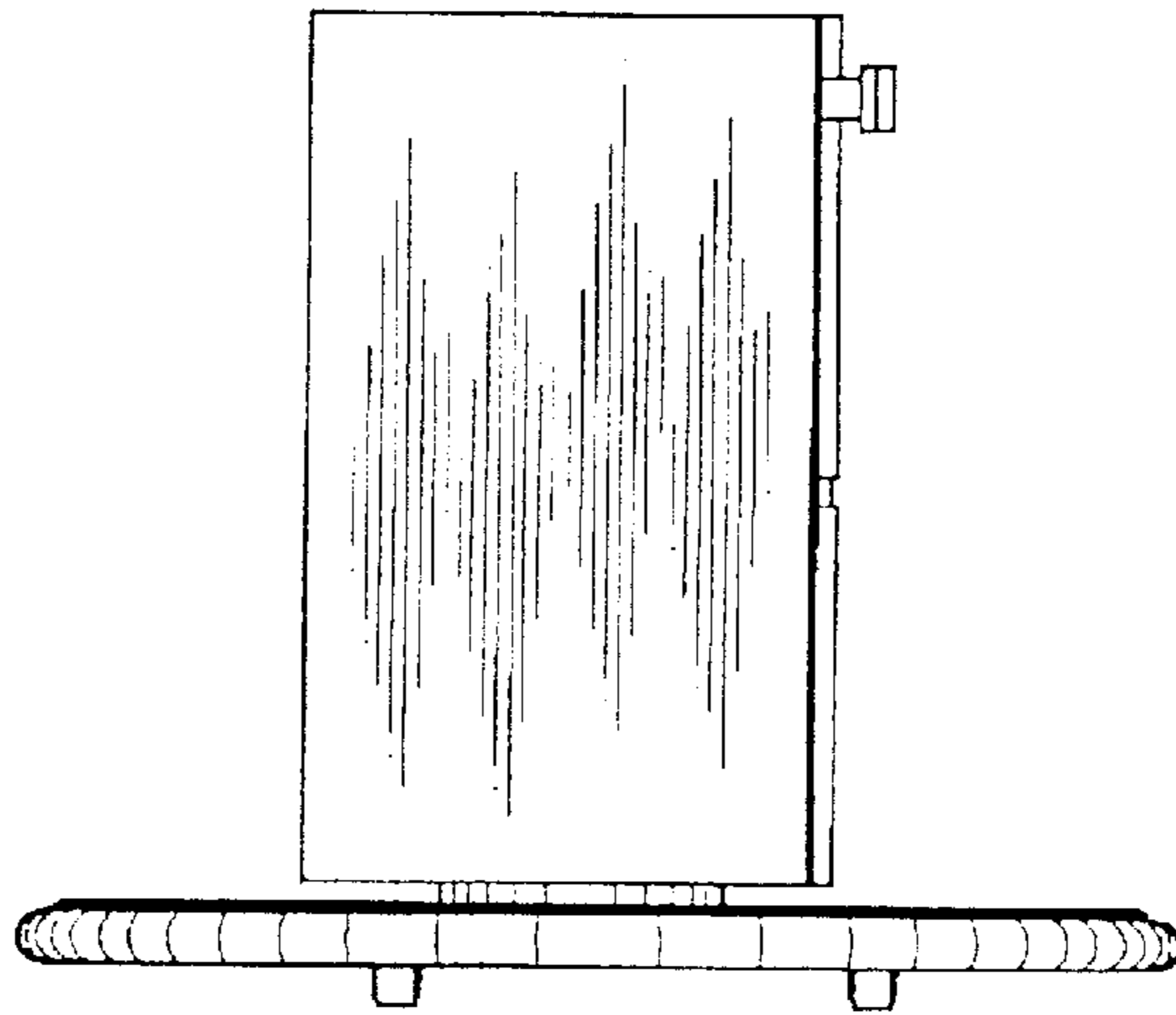


FIGURE 5

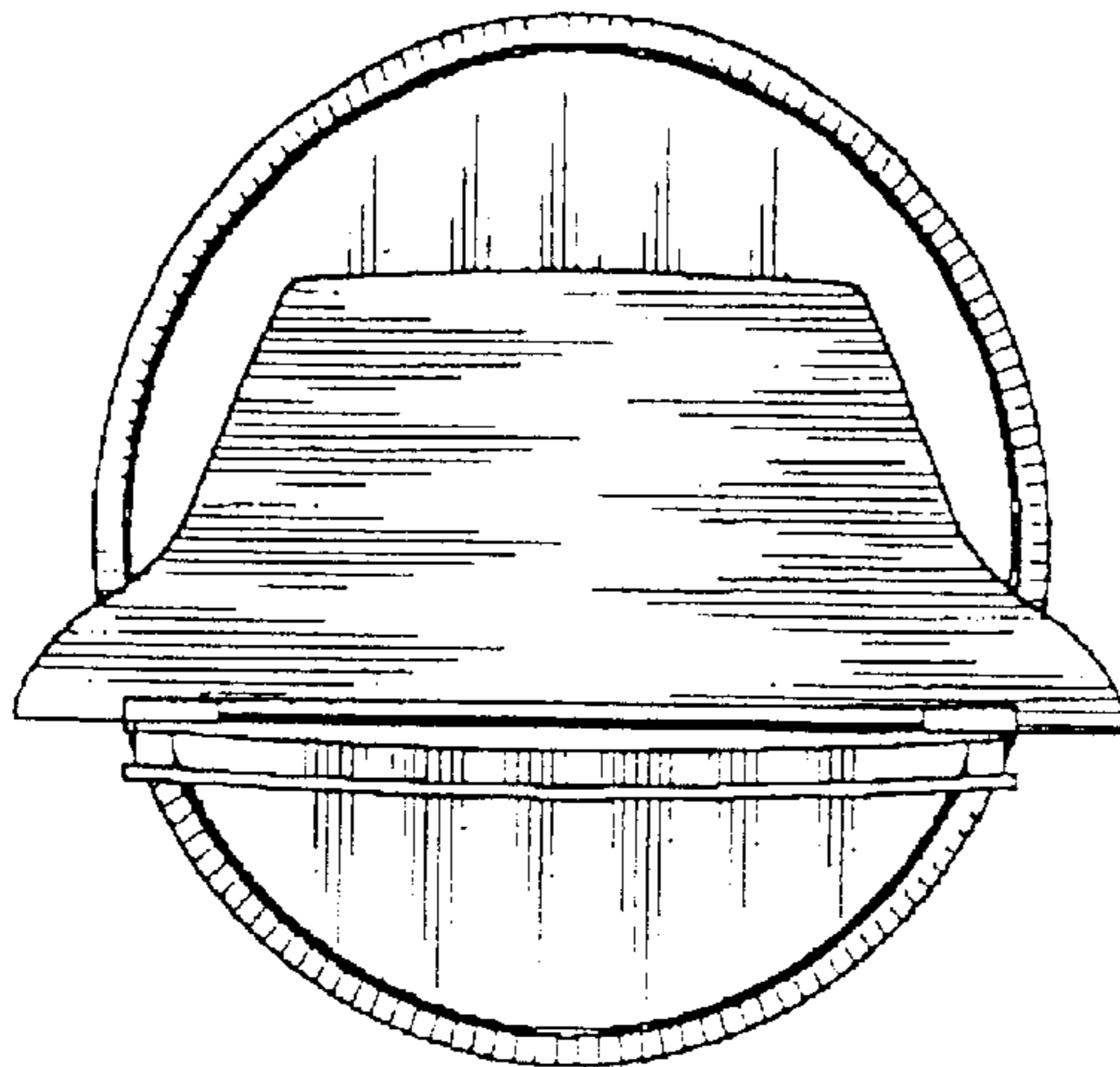


FIGURE 6

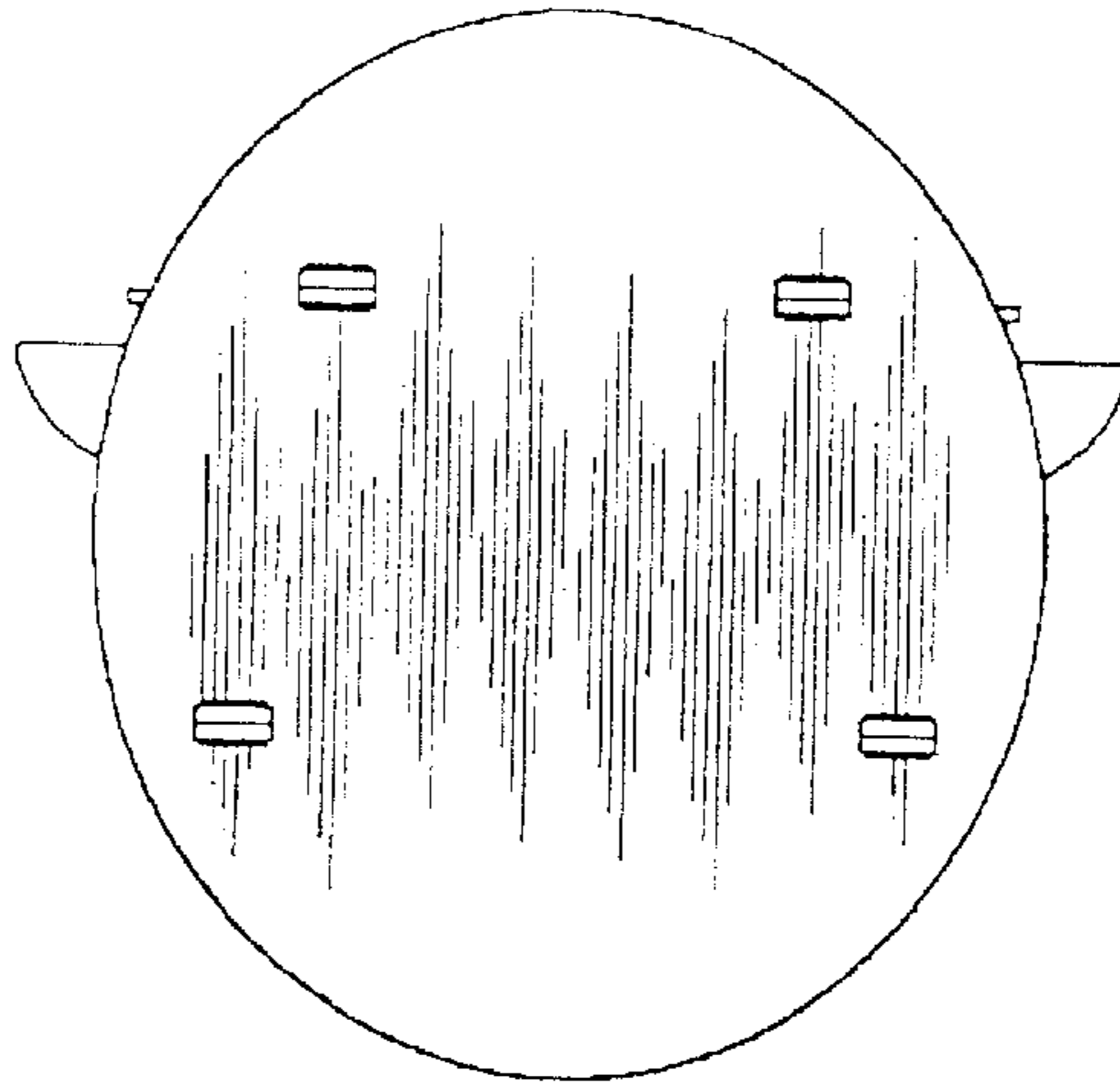


FIGURE 7

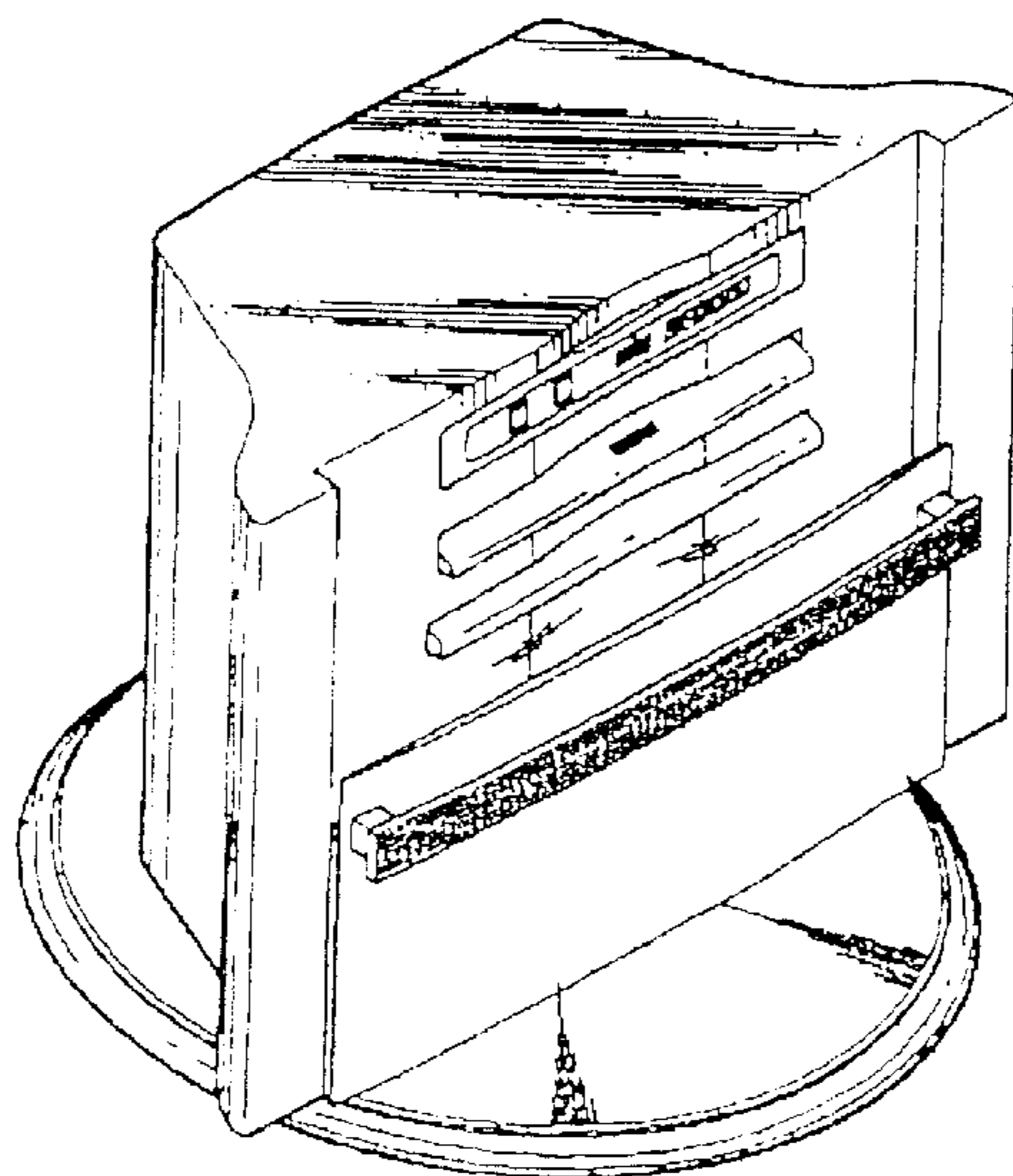


FIGURE 8

