



US00D473877S

(12) **United States Design Patent**
Korpai

(10) **Patent No.:** **US D473,877 S**

(45) **Date of Patent:** **** Apr. 29, 2003**

(54) **SCREEN BORDER**

DESCRIPTION

(76) Inventor: **James Korpai**, 67-23 50th Ave.,
Woodside, NY (US) 11377

(**) Term: **14 Years**

(21) Appl. No.: **29/140,211**

(22) Filed: **Apr. 12, 2001**

Related U.S. Application Data

(60) Provisional application No. 60/198,021, filed on Apr. 18,
2000.

(51) **LOC (7) Cl.** **14-02**

(52) **U.S. Cl.** **D14/448; D6/300**

(58) **Field of Search** D14/448, 374;
D6/300-314; 40/511, 513, 700, 720, 722,
658, 725; D8/353; 248/442.2, 447.1, 453,
918

(56) **References Cited**

U.S. PATENT DOCUMENTS

5,901,937 A * 5/1999 Compeau et al. 248/442.2
D437,695 S * 2/2001 Leung D6/300
D461,113 S * 8/2002 Aubert Capella D8/353

* cited by examiner

Primary Examiner—Kay H. Chin

(74) *Attorney, Agent, or Firm*—Katten Muchin Zavis
Rosenman

(57) **CLAIM**

The ornamental design for a screen border, as shown and
described.

FIG. 1 is a front view of a screen border showing my new design, with such border shown for purposes of illustration as attached to a monitor that is shown in dotted lines as environment and forms no part of the claimed invention; FIG. 2 is a rear view thereof; FIG. 3 is a perspective view thereof; FIG. 4 is a top view thereof; FIG. 5 is a bottom view thereof; FIG. 6 is a left end view thereof; FIG. 7 is a right end view thereof; FIG. 8 is a front view showing a second embodiment of my new design; FIG. 9 is a rear view thereof; FIG. 10 is a perspective view thereof; FIG. 11 is a top view thereof; FIG. 12 is a bottom view thereof; FIG. 13 is a right end view thereof; FIG. 14 is a left end view thereof; FIG. 15 is a front view showing a third embodiment of my new design, wherein the tabular cover members are transparent. The rear view of this embodiment is represented by FIG. 2; FIG. 16 is a perspective view thereof; FIG. 17 is a top view thereof; FIG. 18 is a bottom view thereof; FIG. 19 is a left end view thereof; FIG. 20 is a right end view thereof; FIG. 21 is a front view showing a fourth embodiment of my new design, wherein the tubular cover members are transparent. The rear view of this embodiment is represented by FIG. 9; FIG. 22 is a perspective view thereof; FIG. 23 is a top view thereof; FIG. 24 is a bottom view thereof; FIG. 25 is a right end view thereof; and, FIG. 26 is a left end view thereof.

1 Claim, 18 Drawing Sheets

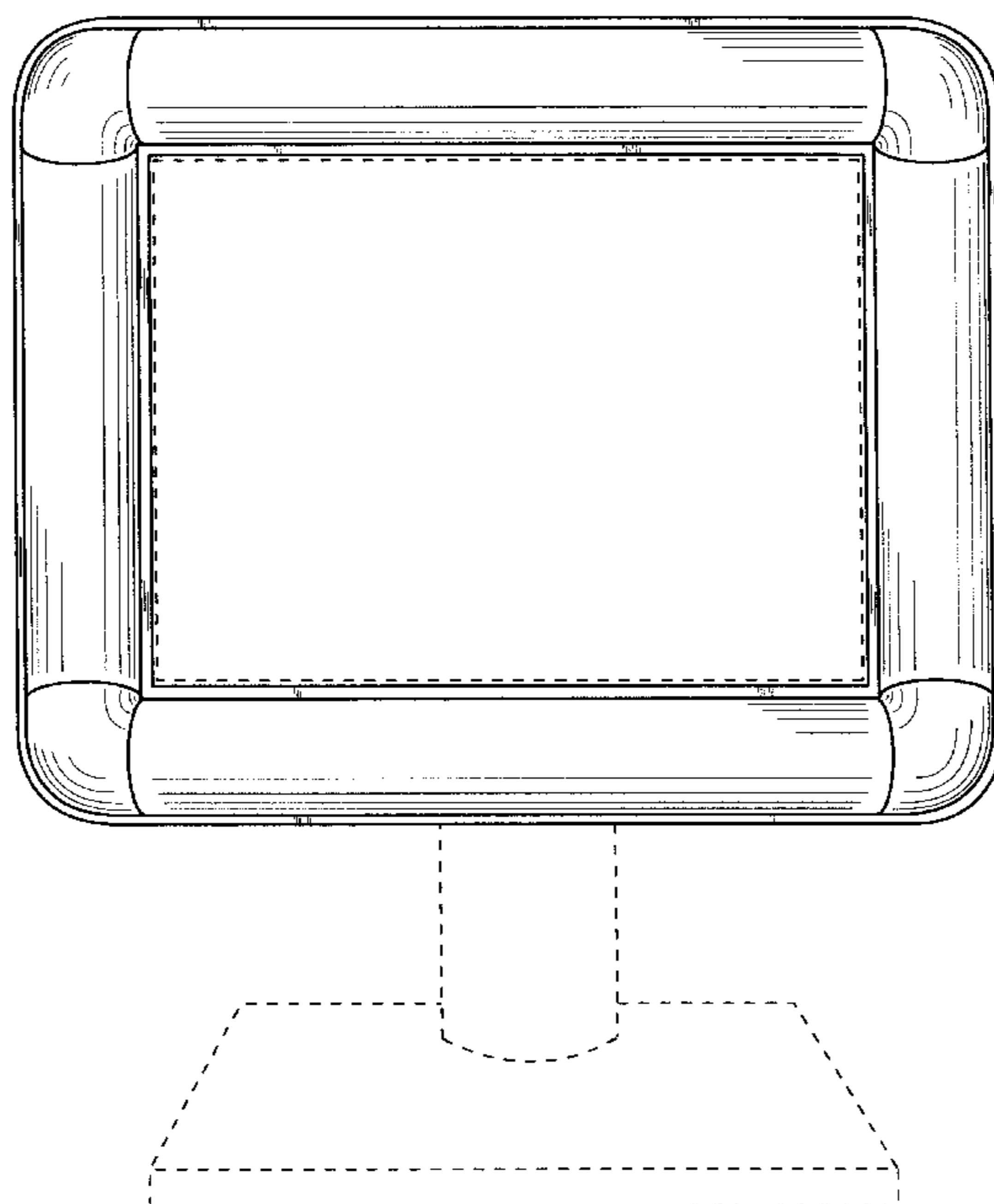


FIG. 1

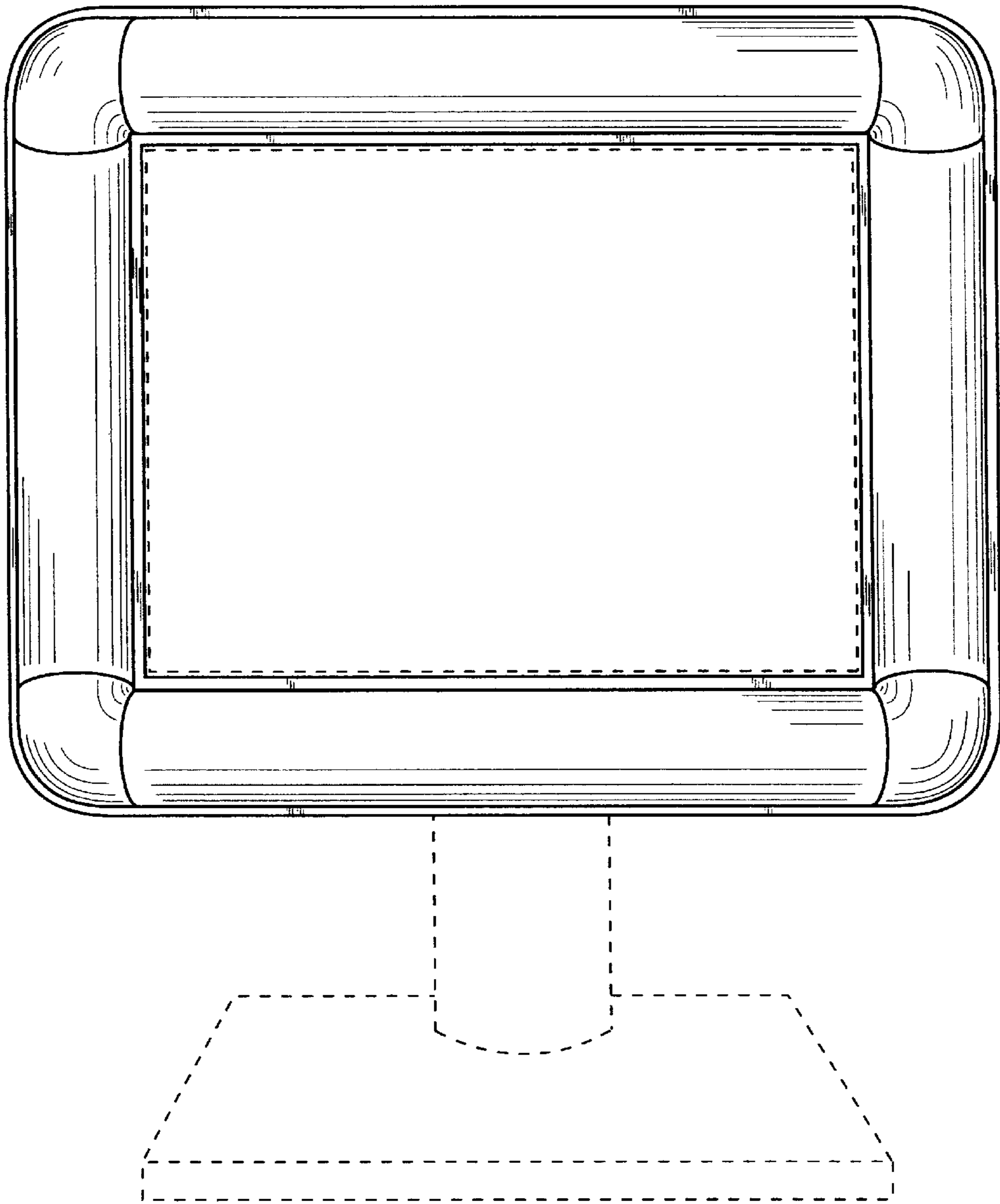


FIG. 2

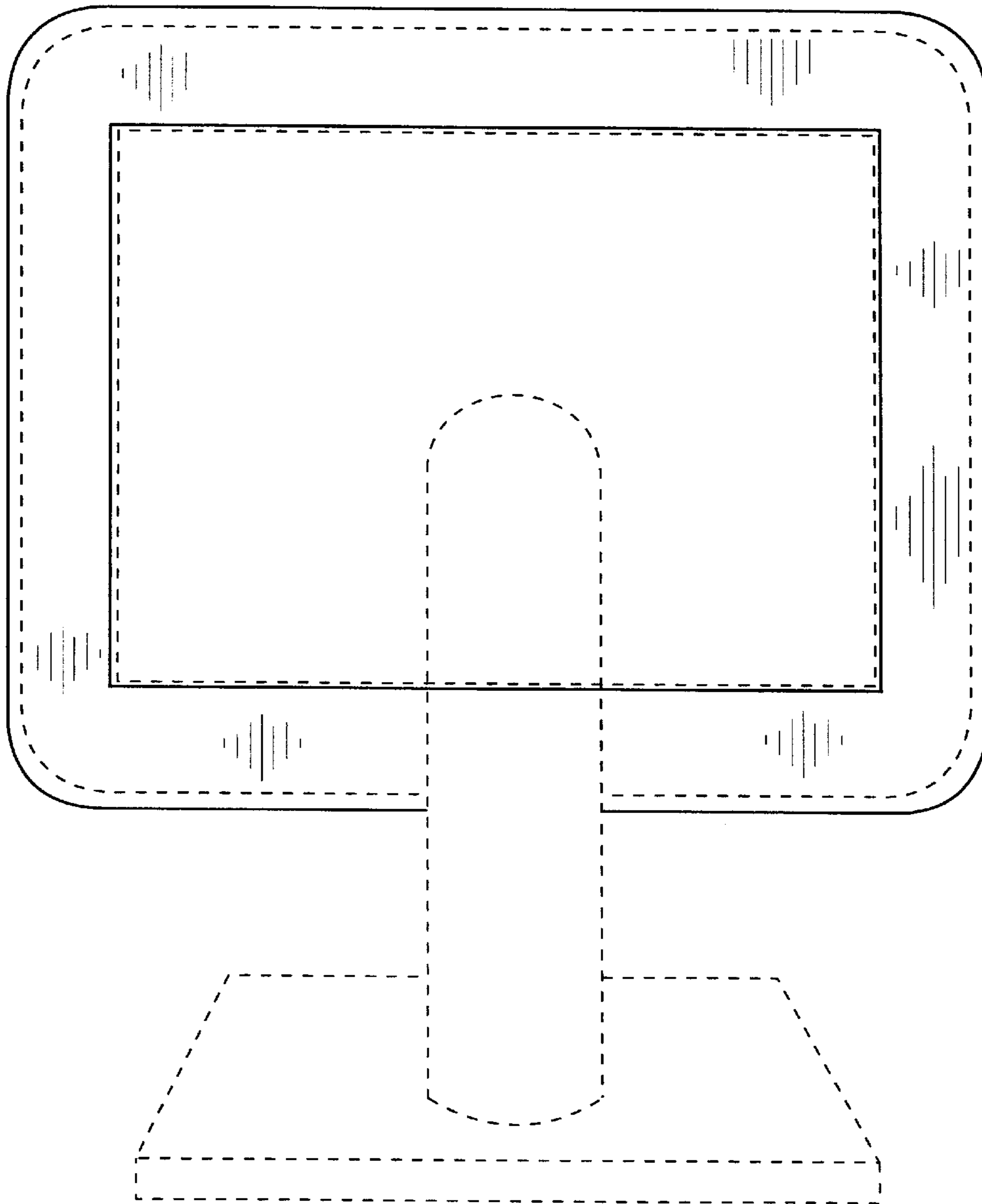


FIG. 3

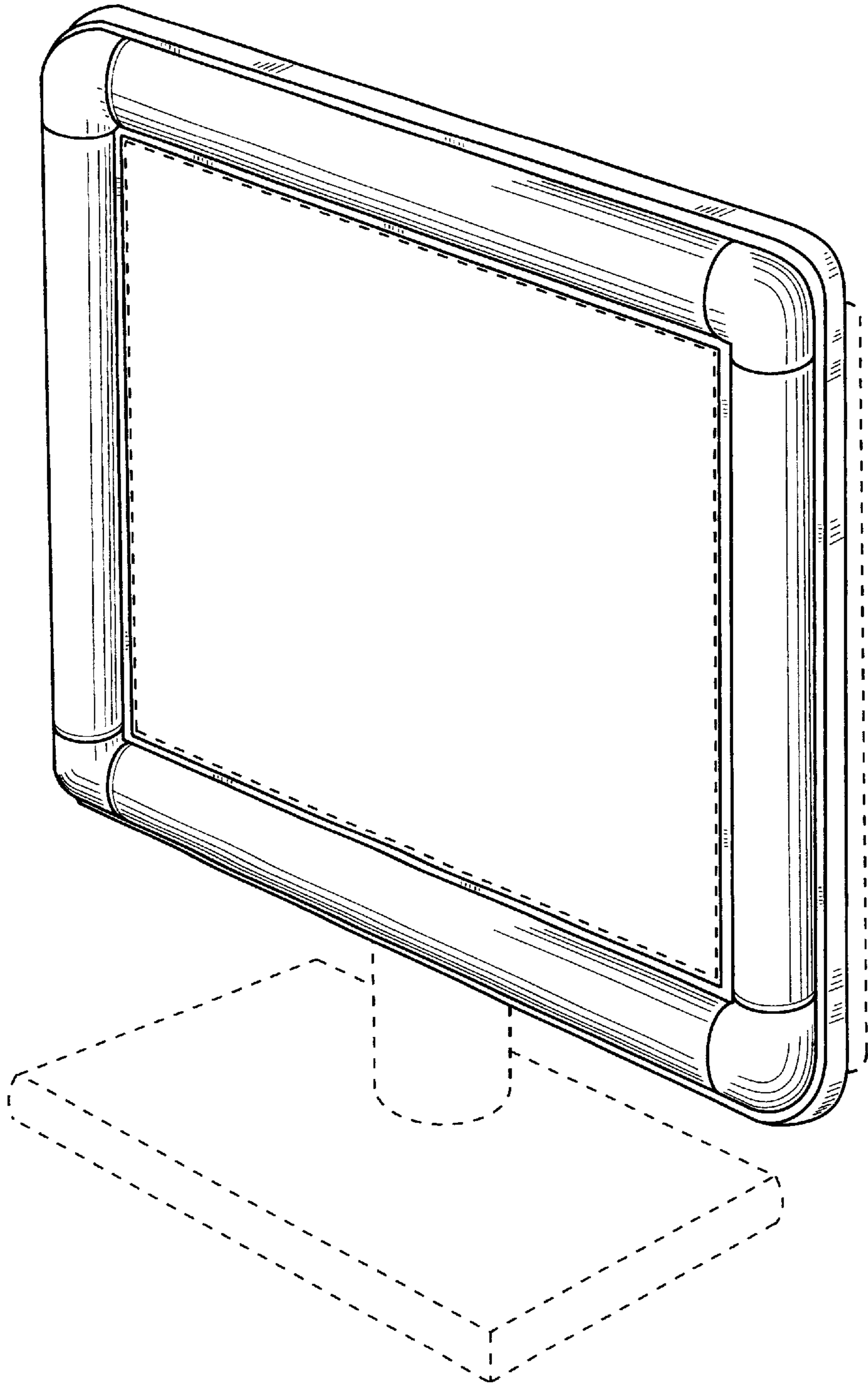


FIG. 4

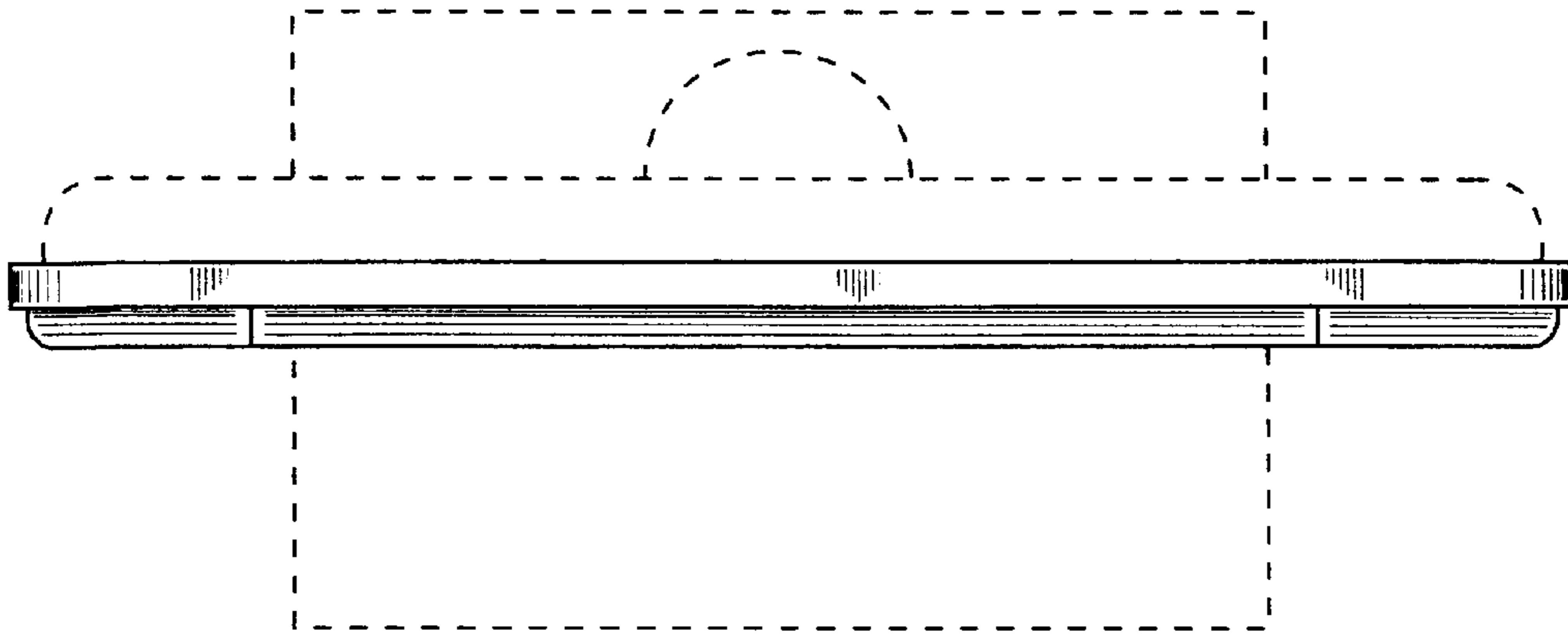


FIG. 5

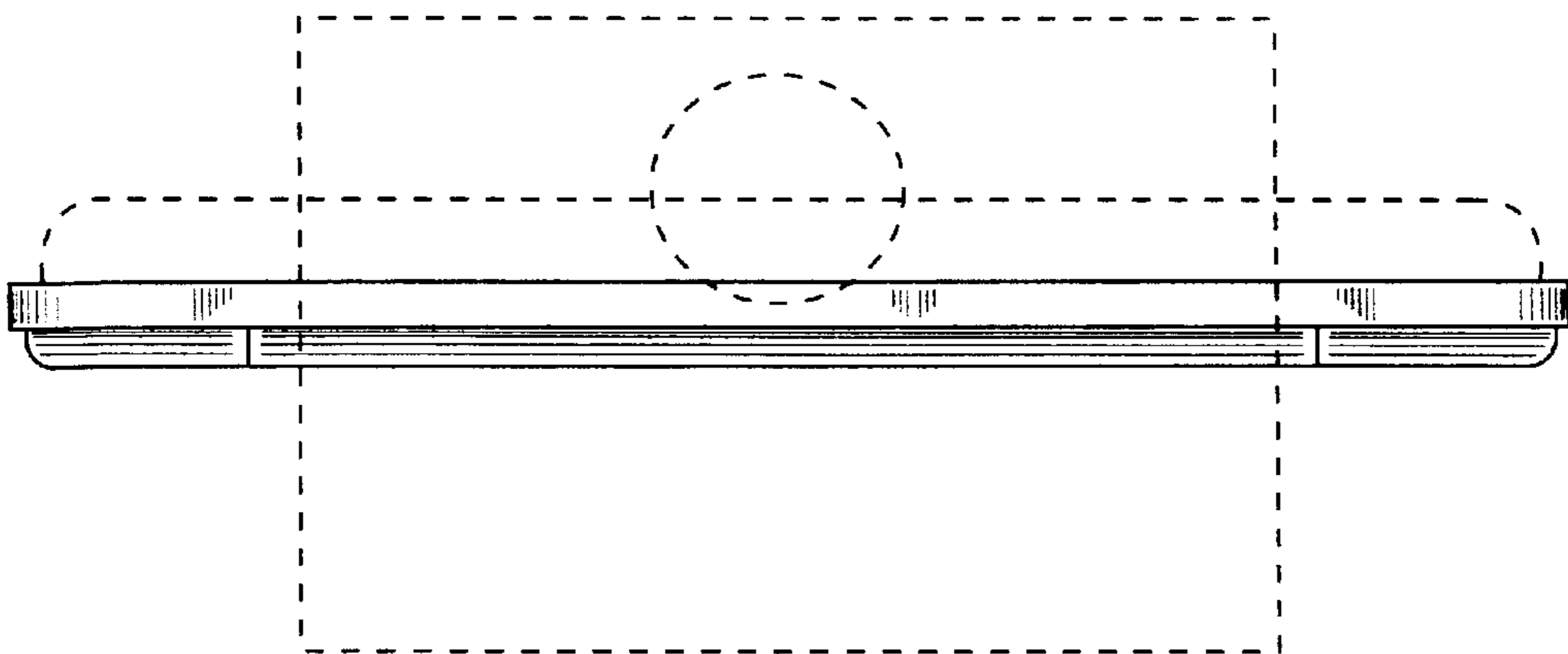


FIG.6

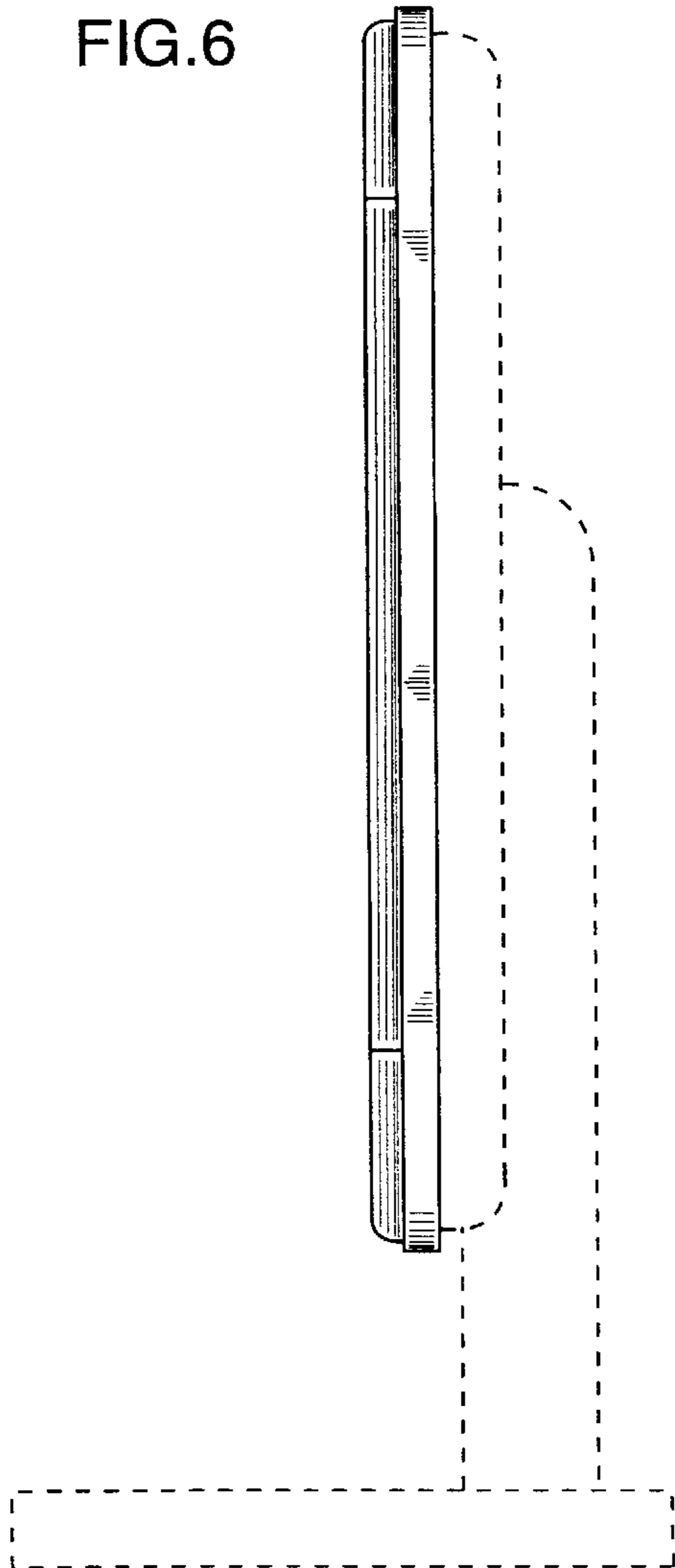


FIG.7

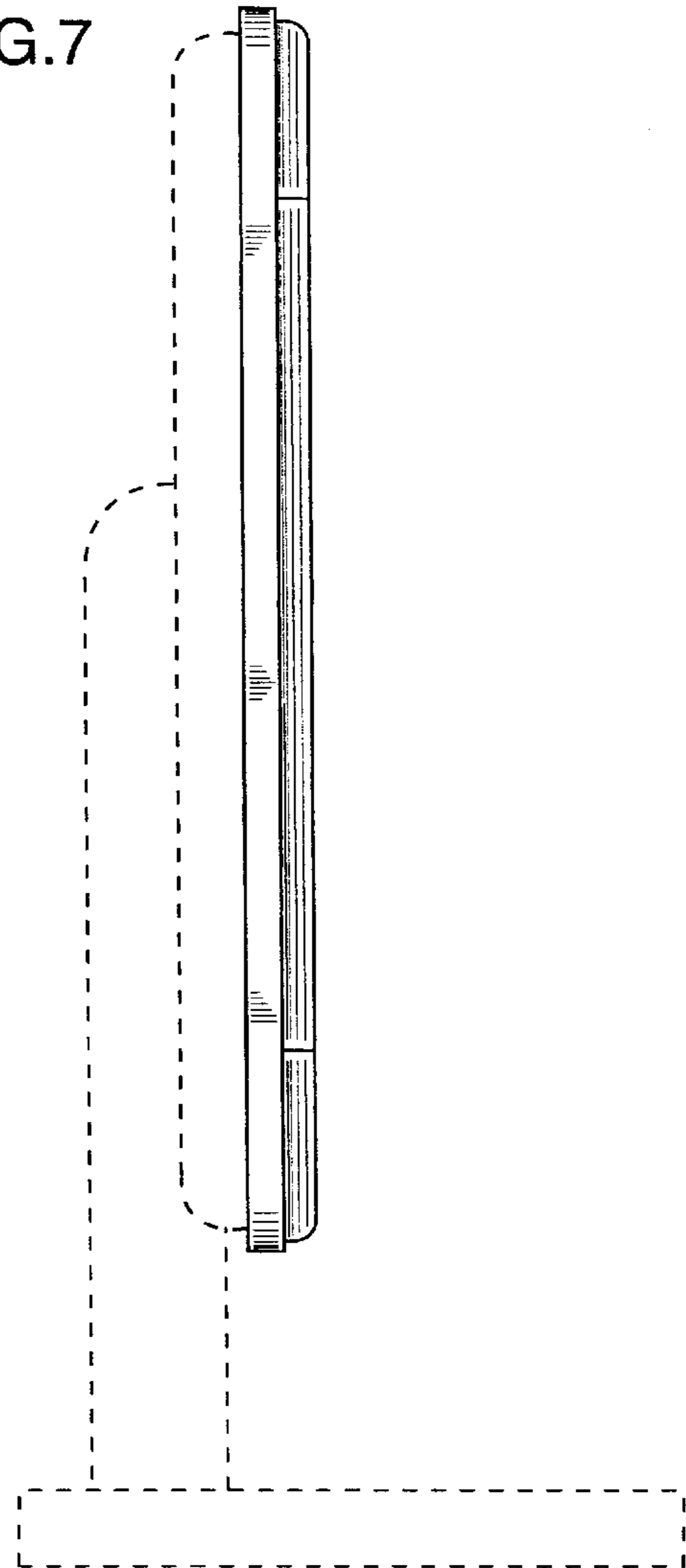


FIG. 8

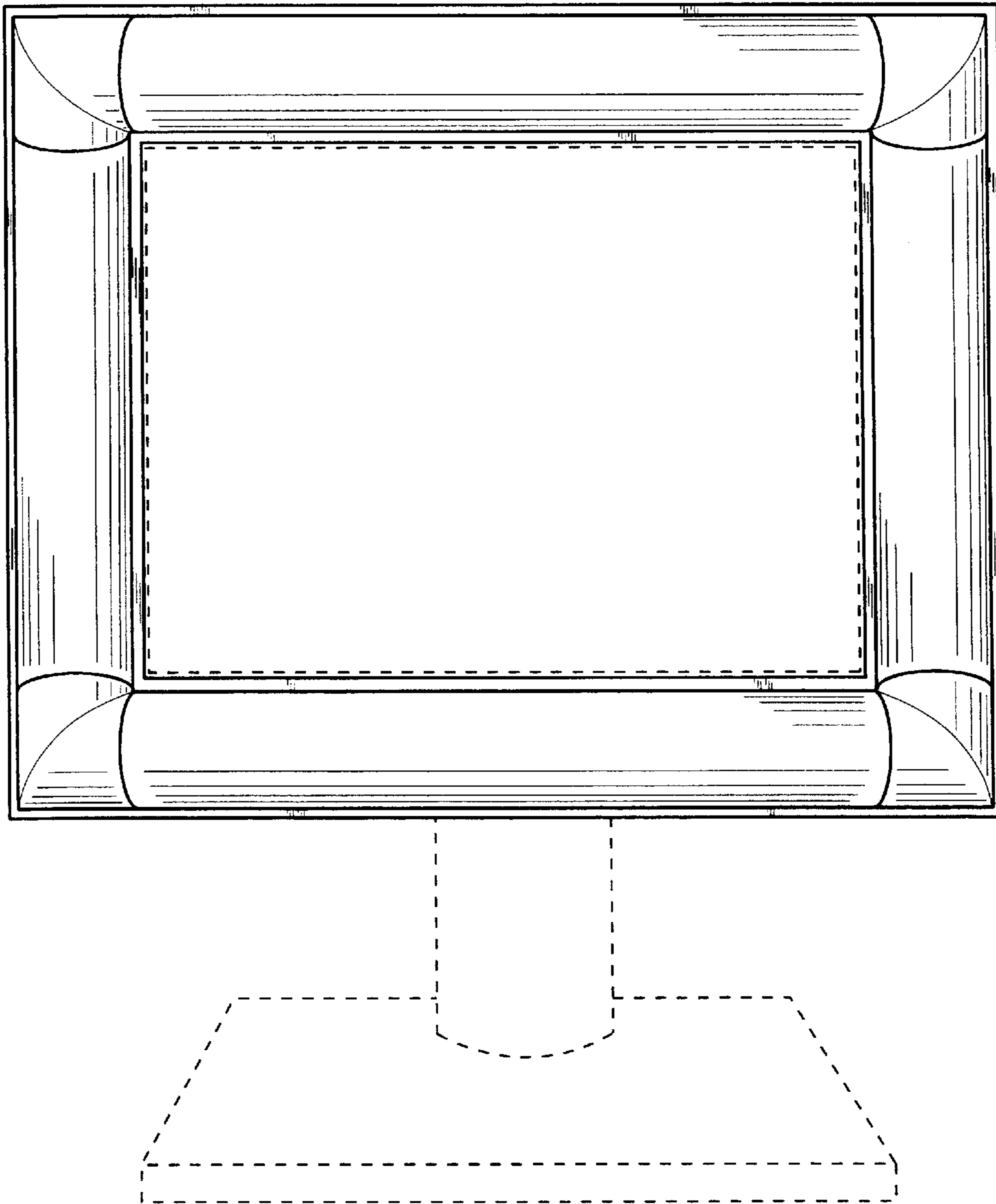


FIG. 9

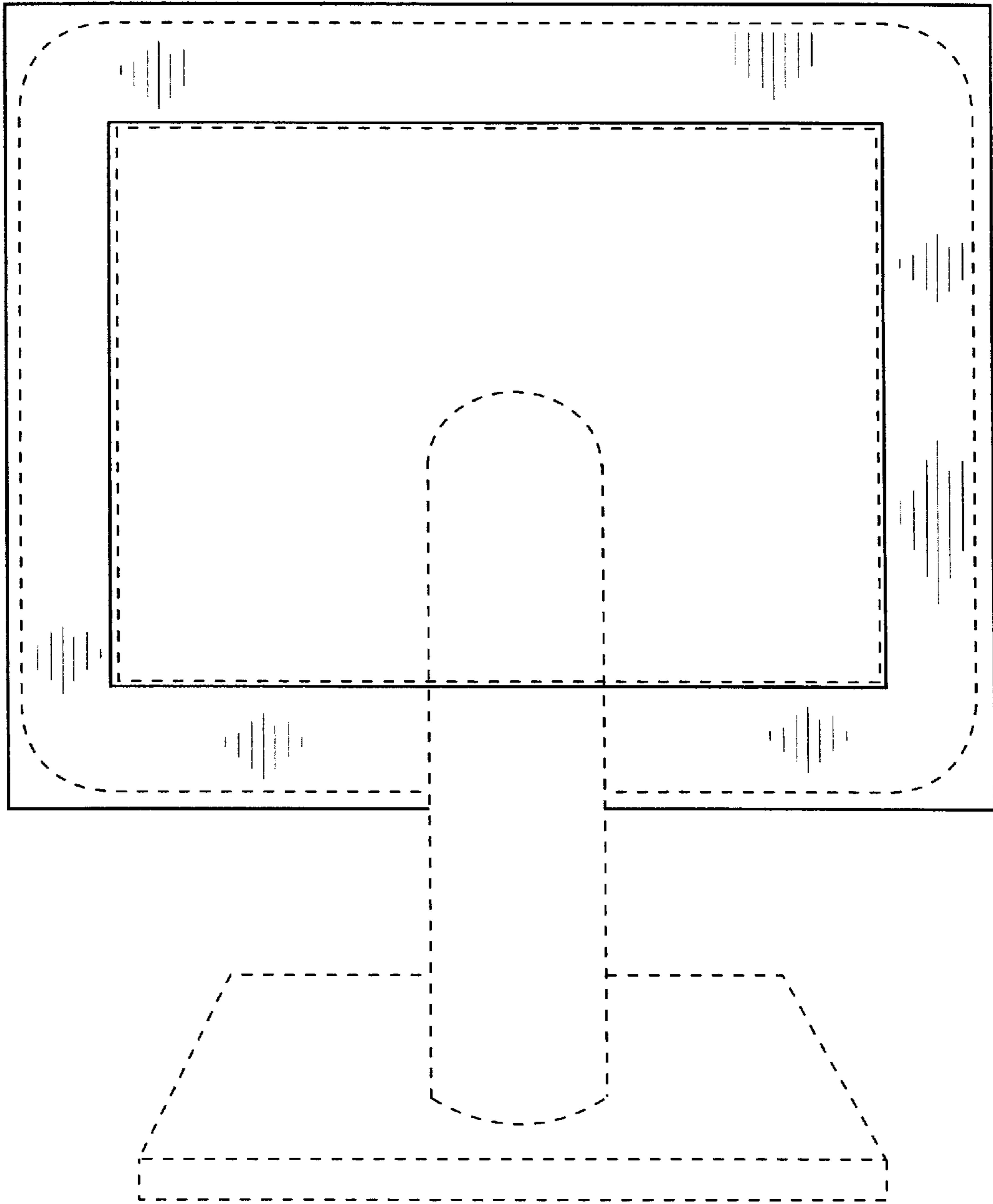


FIG. 10

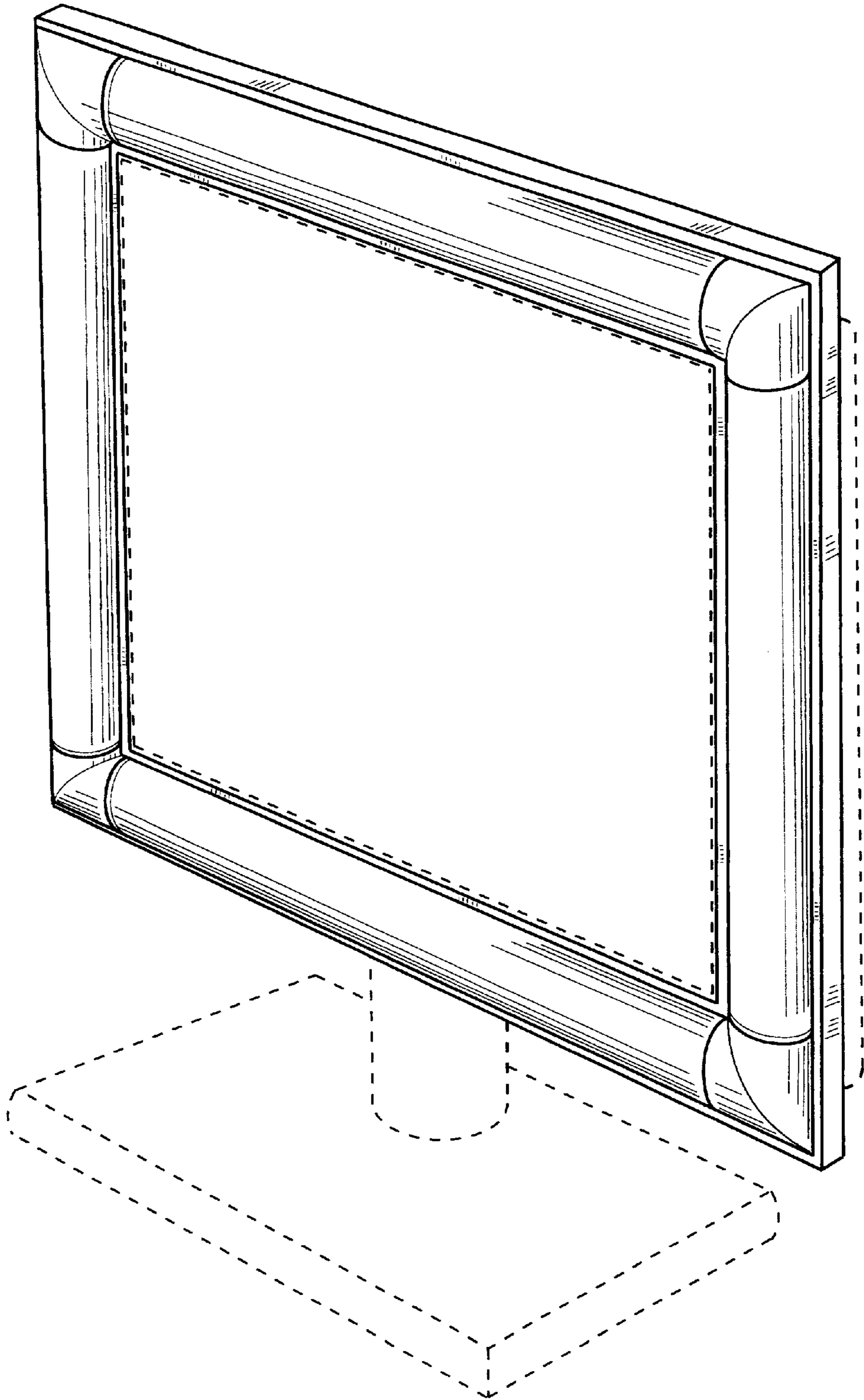


FIG. 11

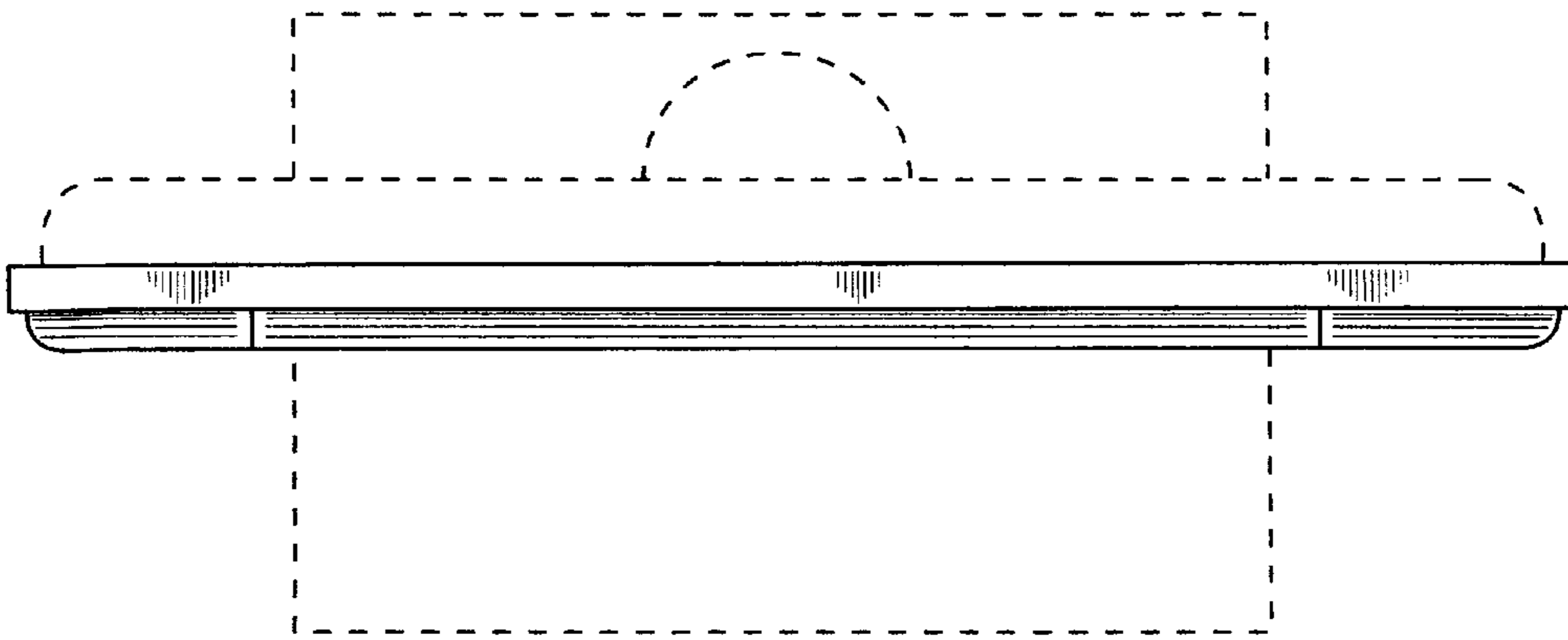


FIG. 12

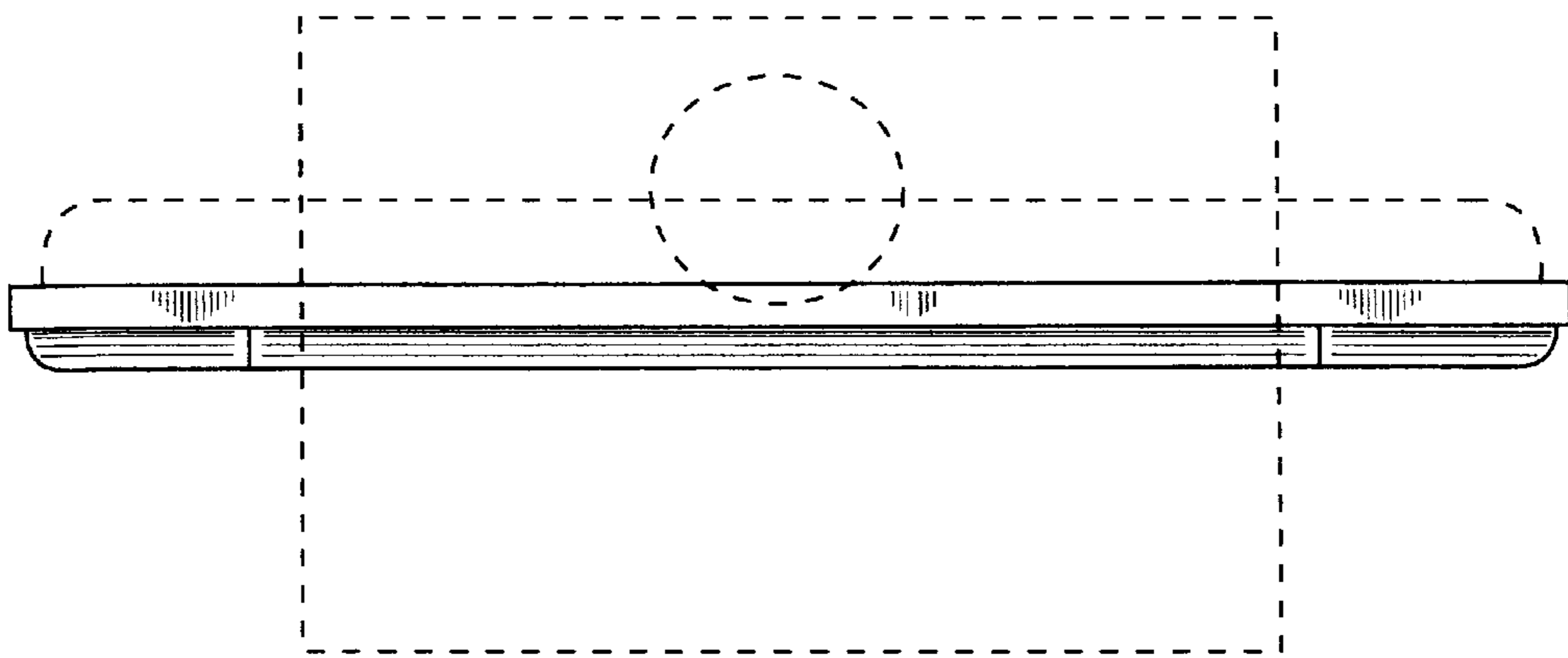


FIG. 13

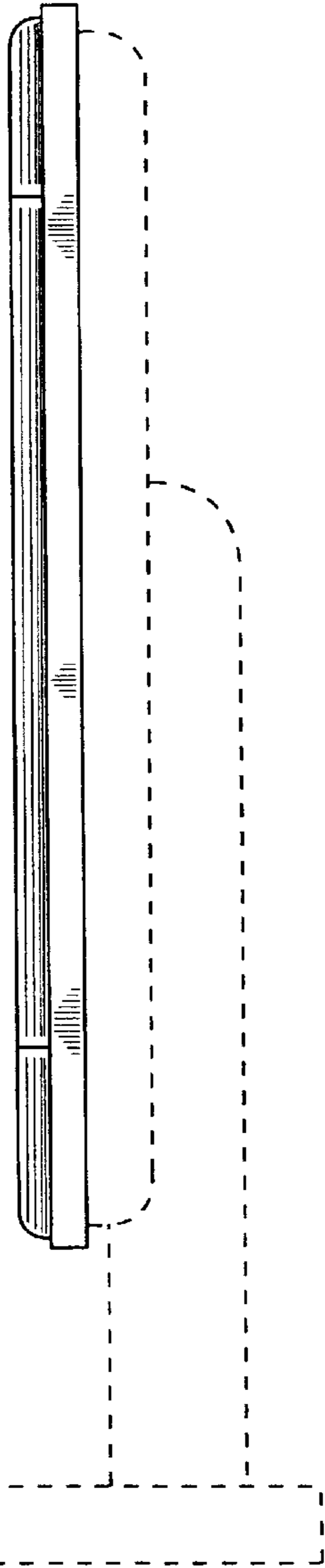


FIG. 14

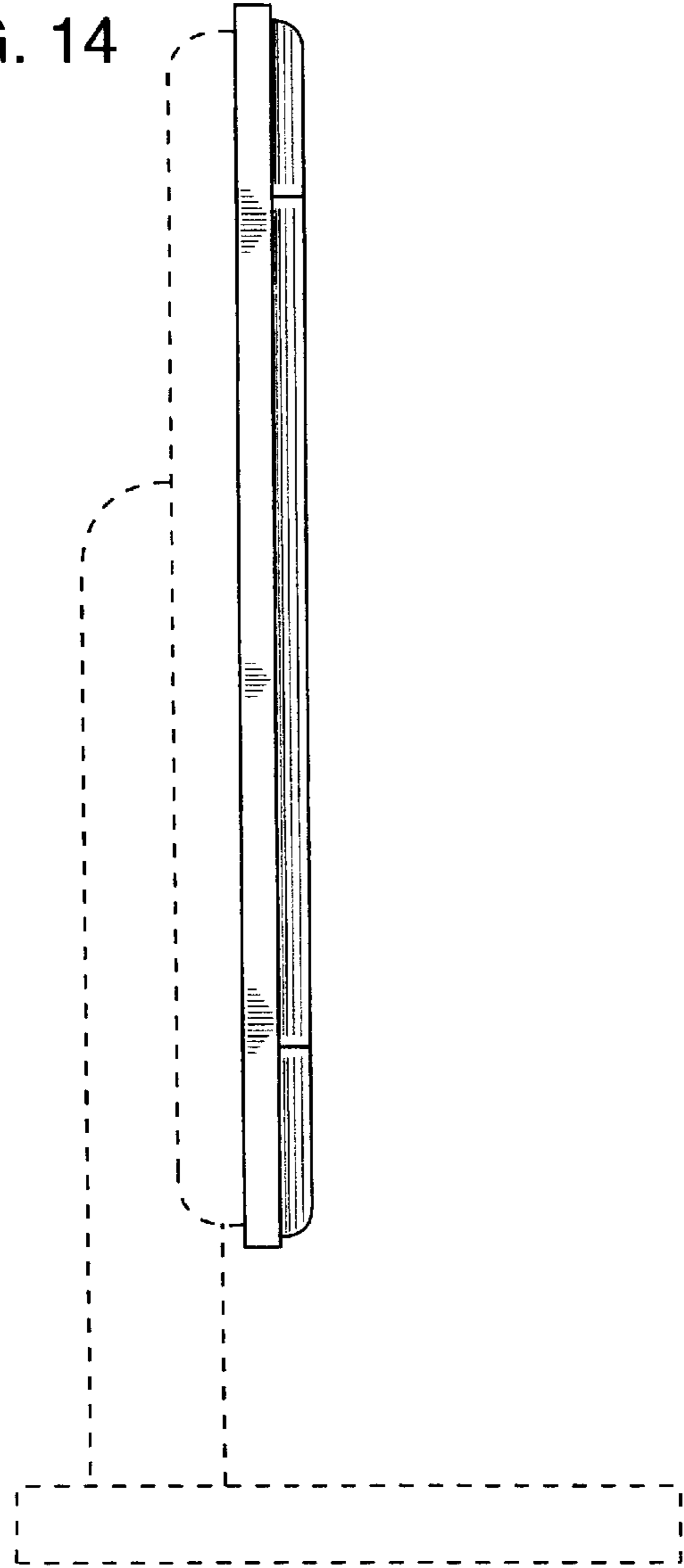


FIG. 15

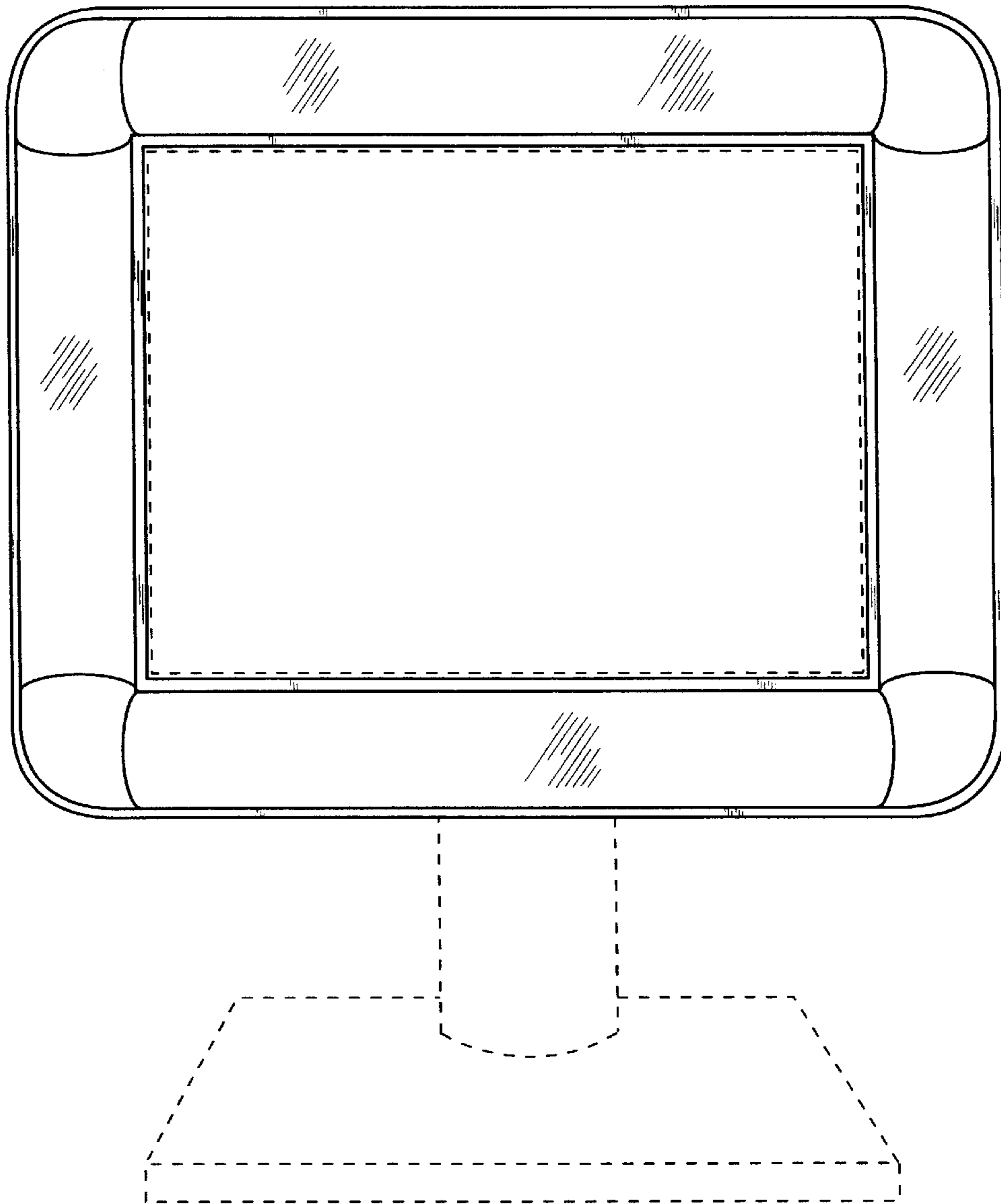


FIG. 16

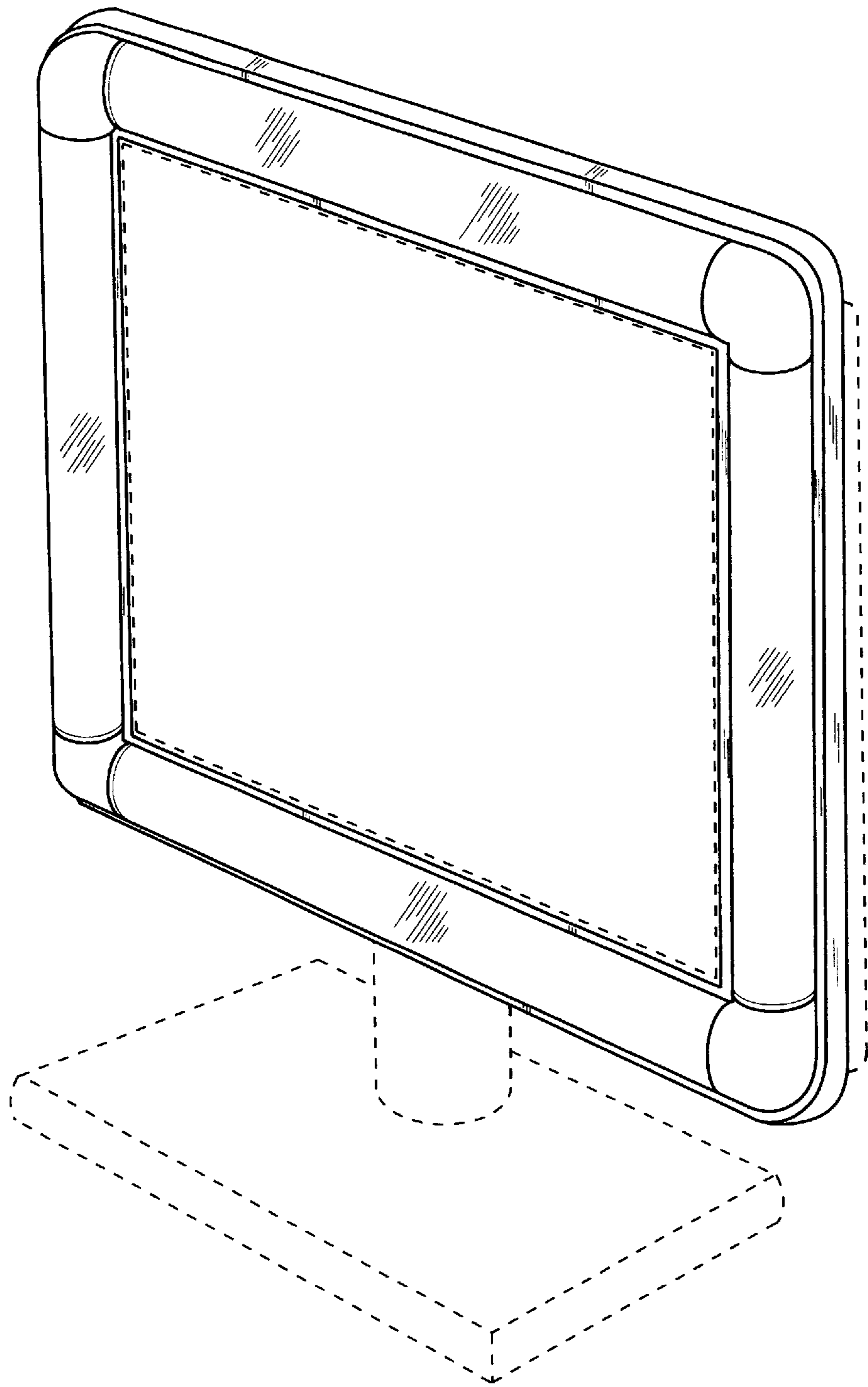


FIG. 17

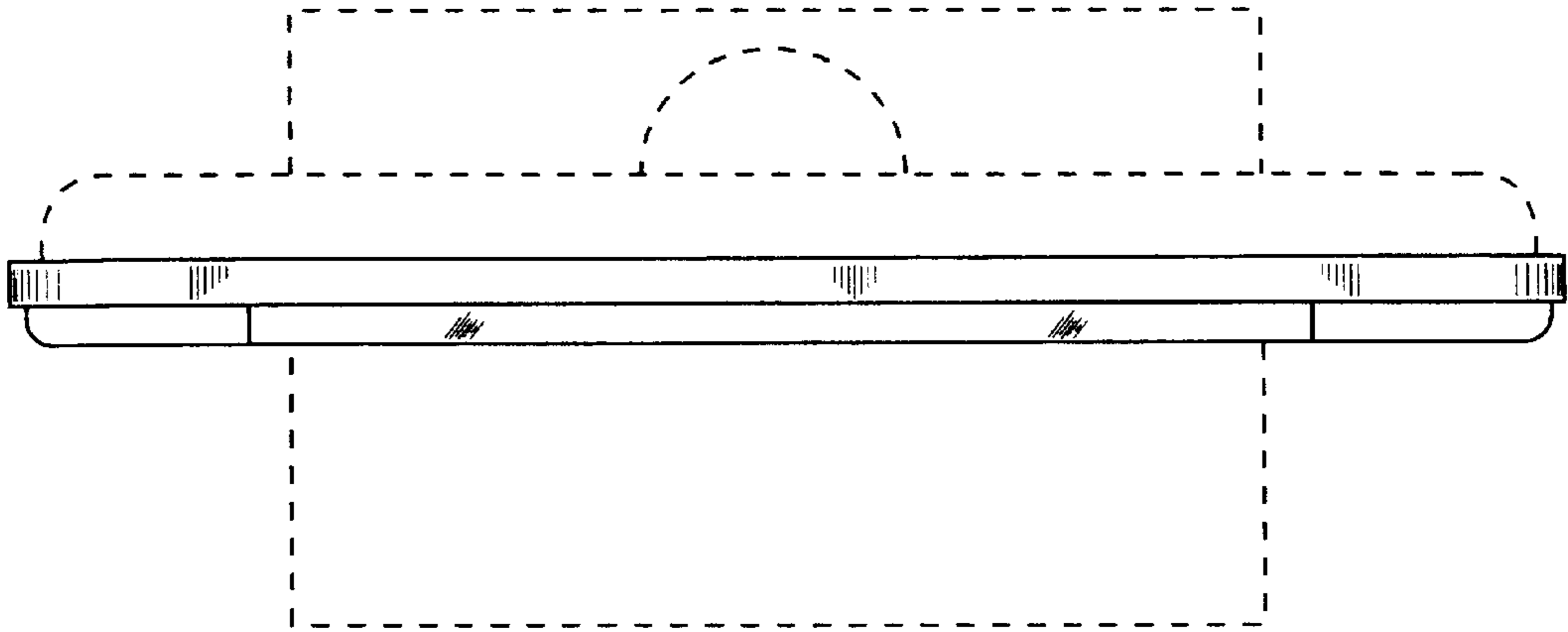


FIG. 18

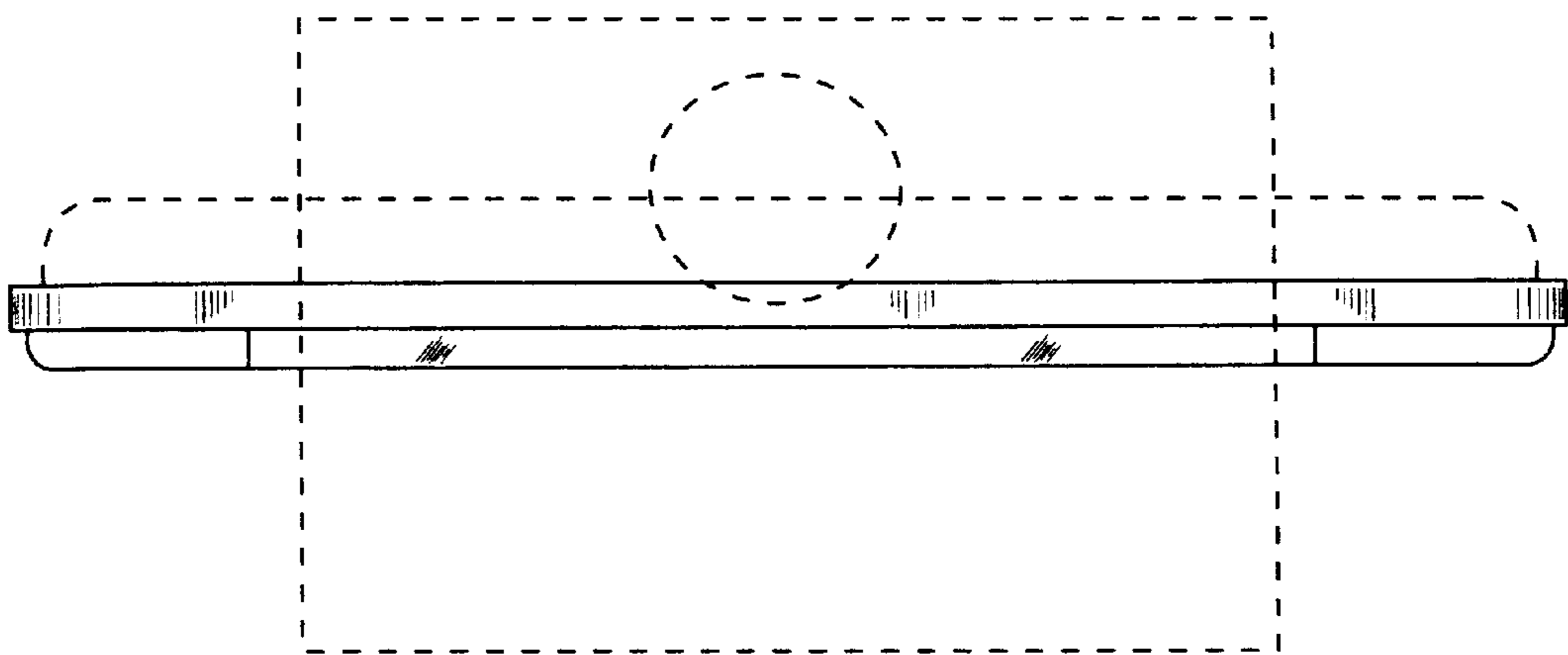


FIG.19

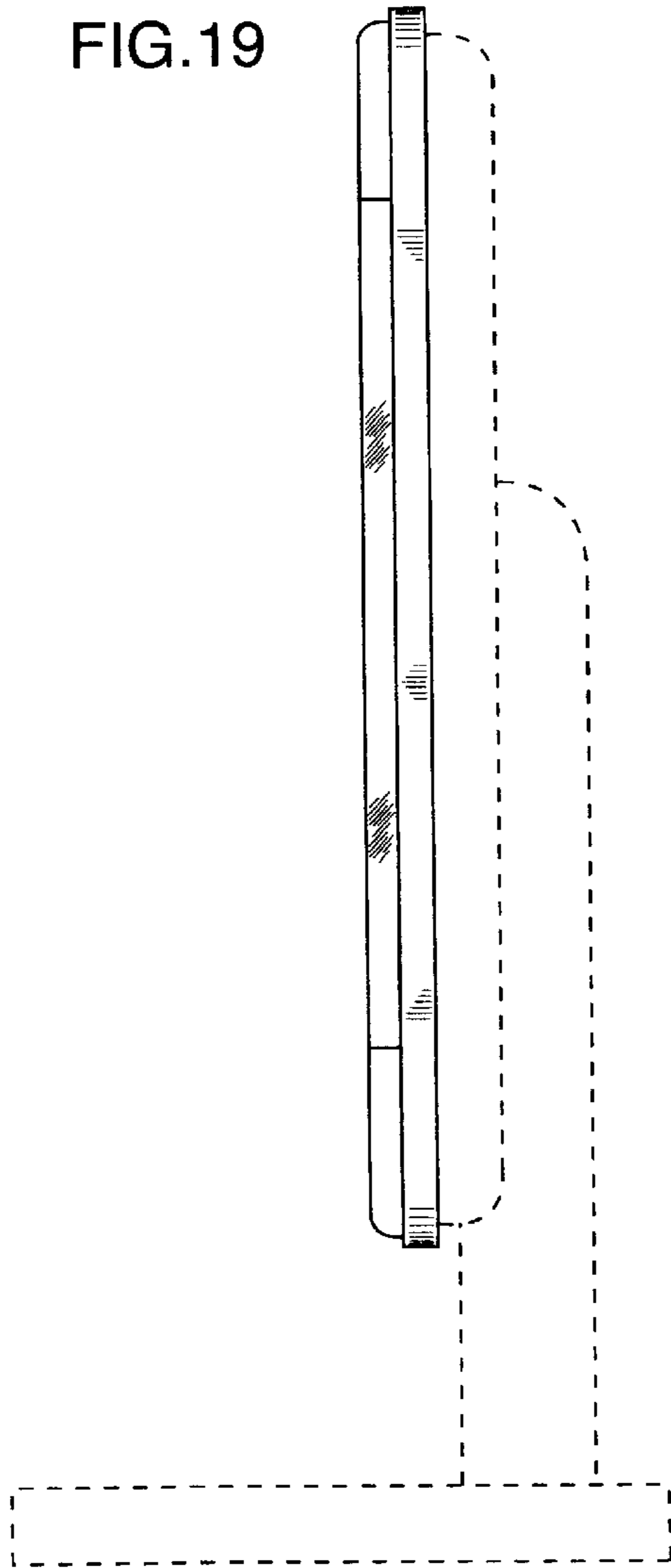


FIG.20

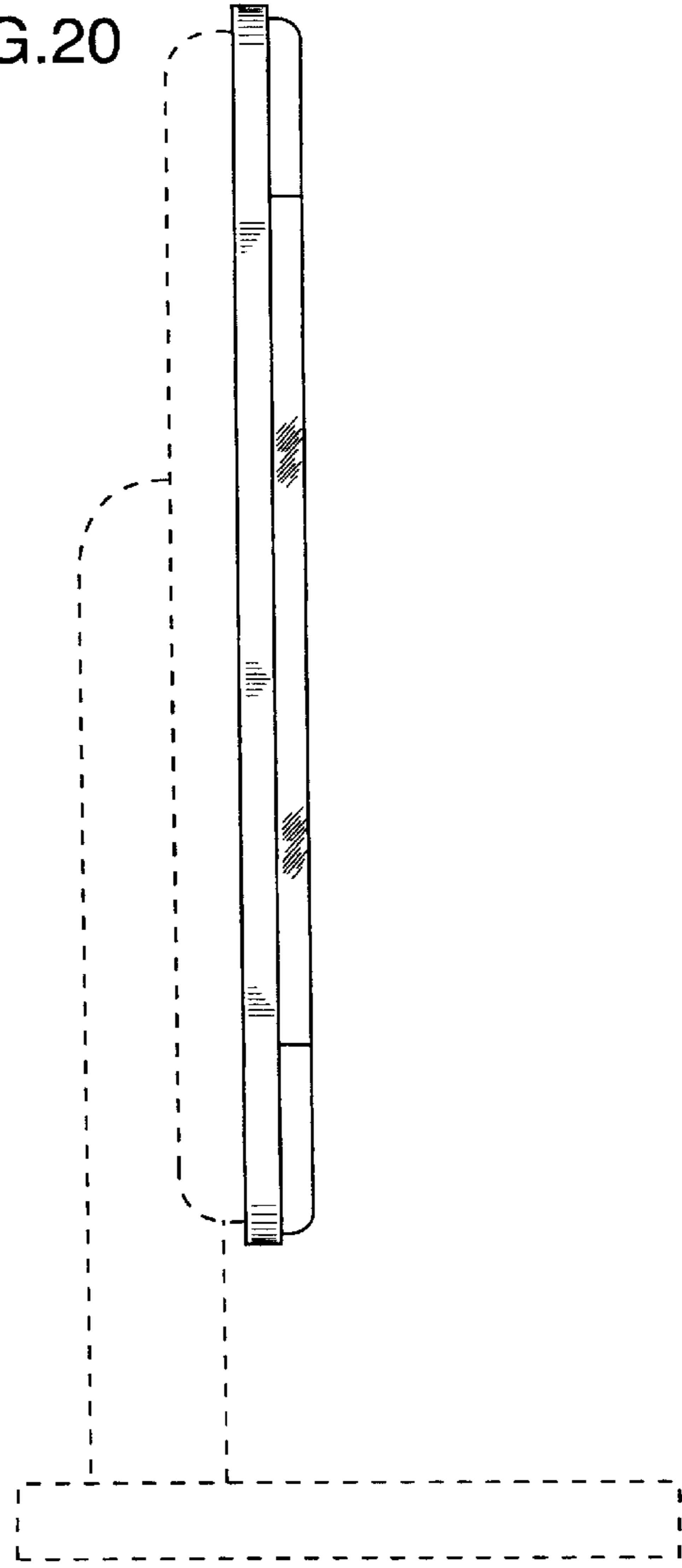


FIG. 21

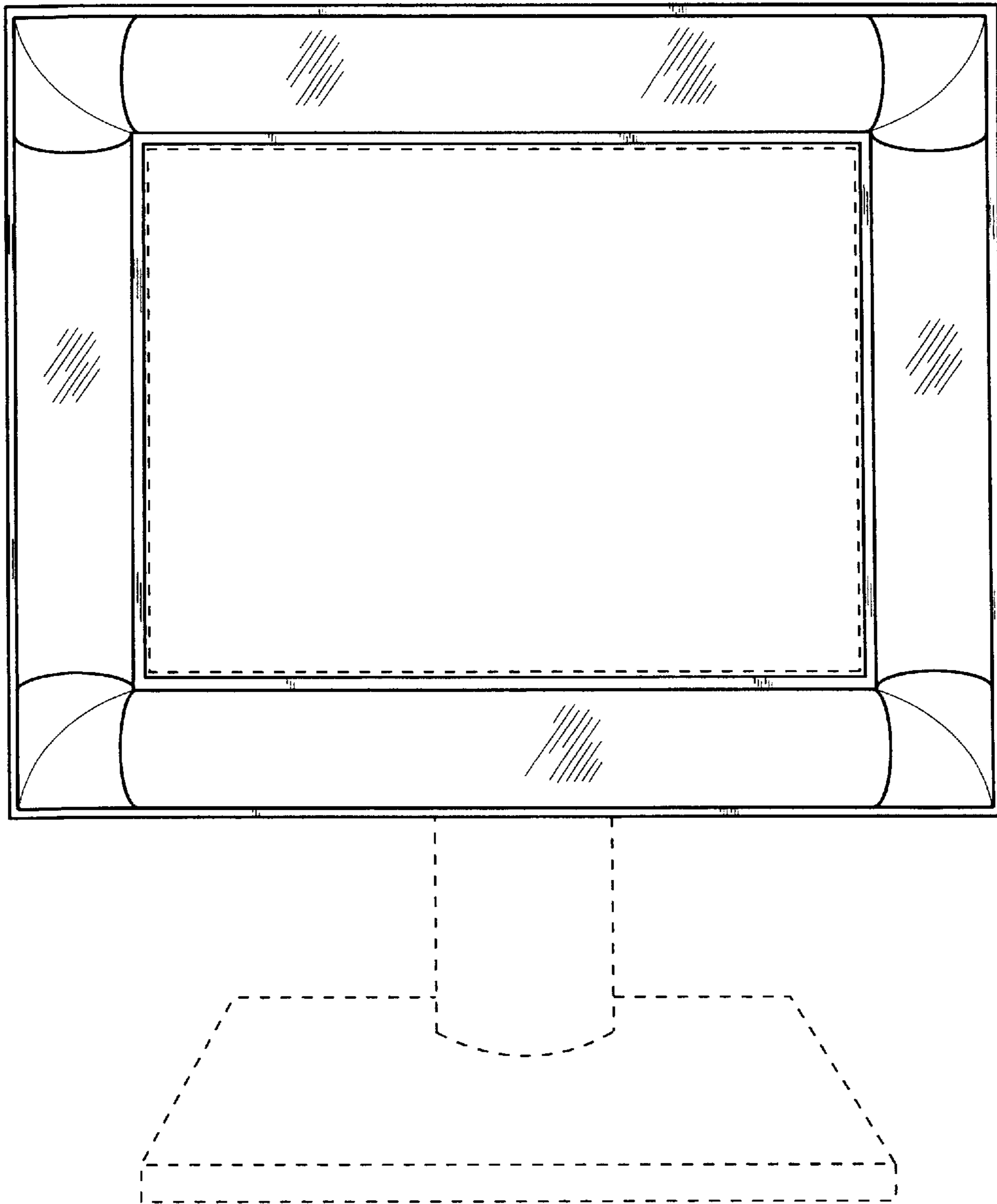


FIG. 22

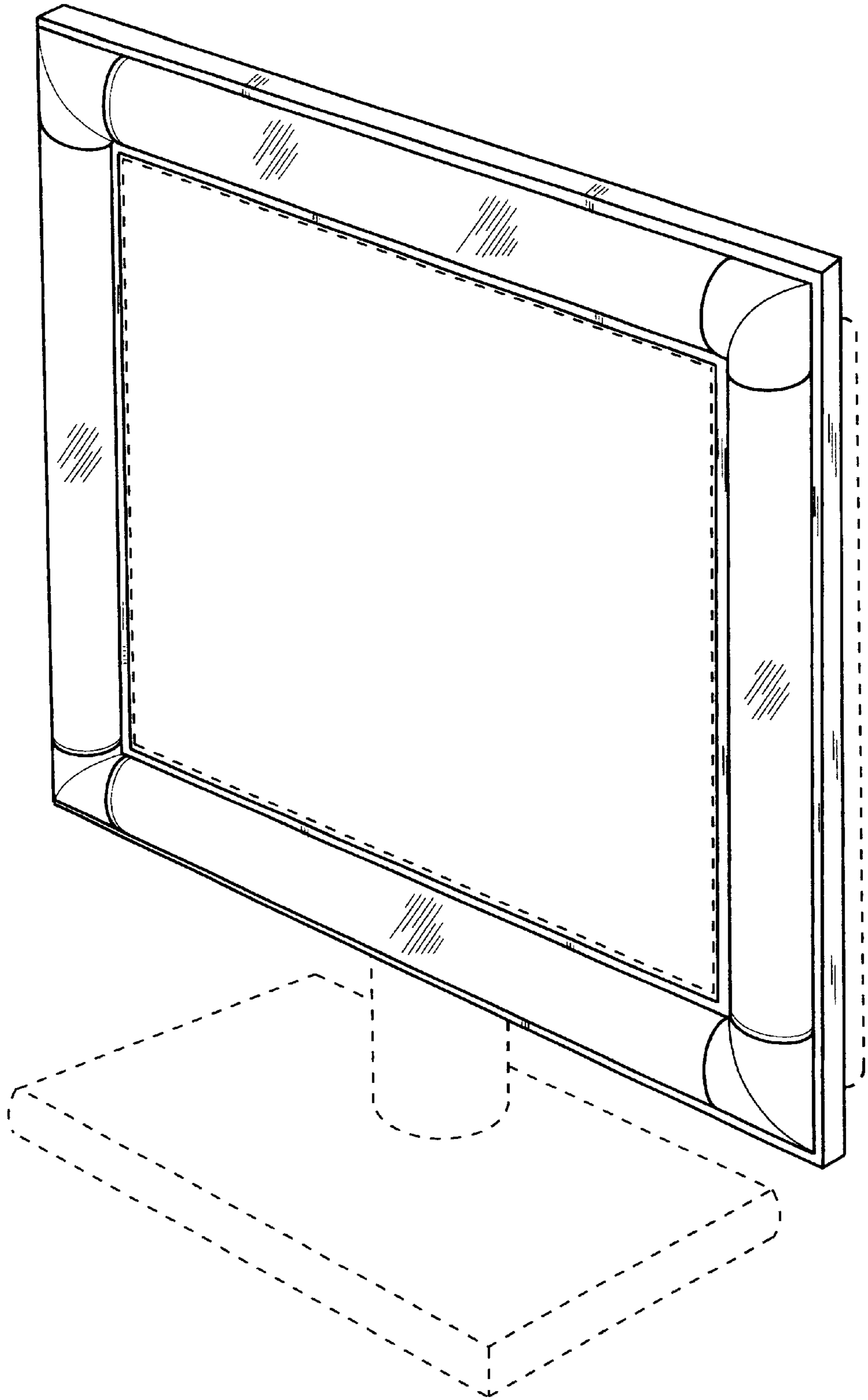


FIG.23

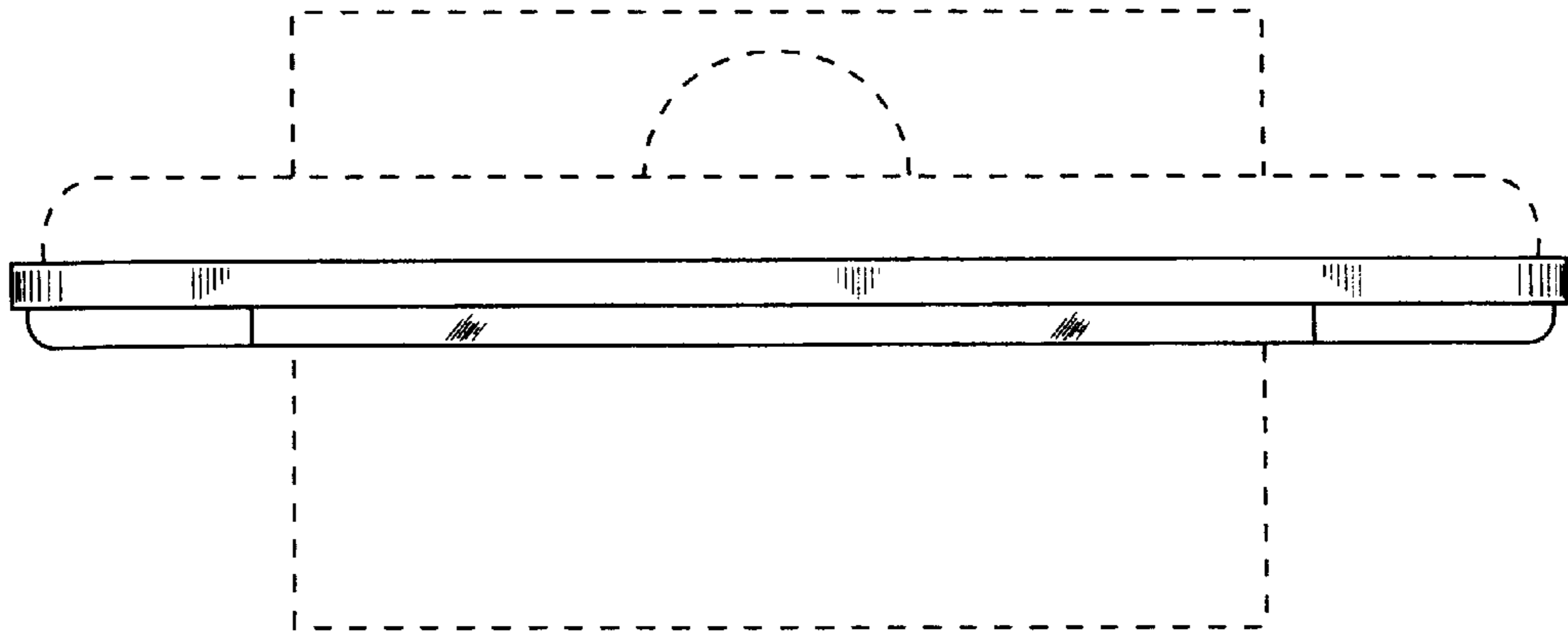


FIG. 24

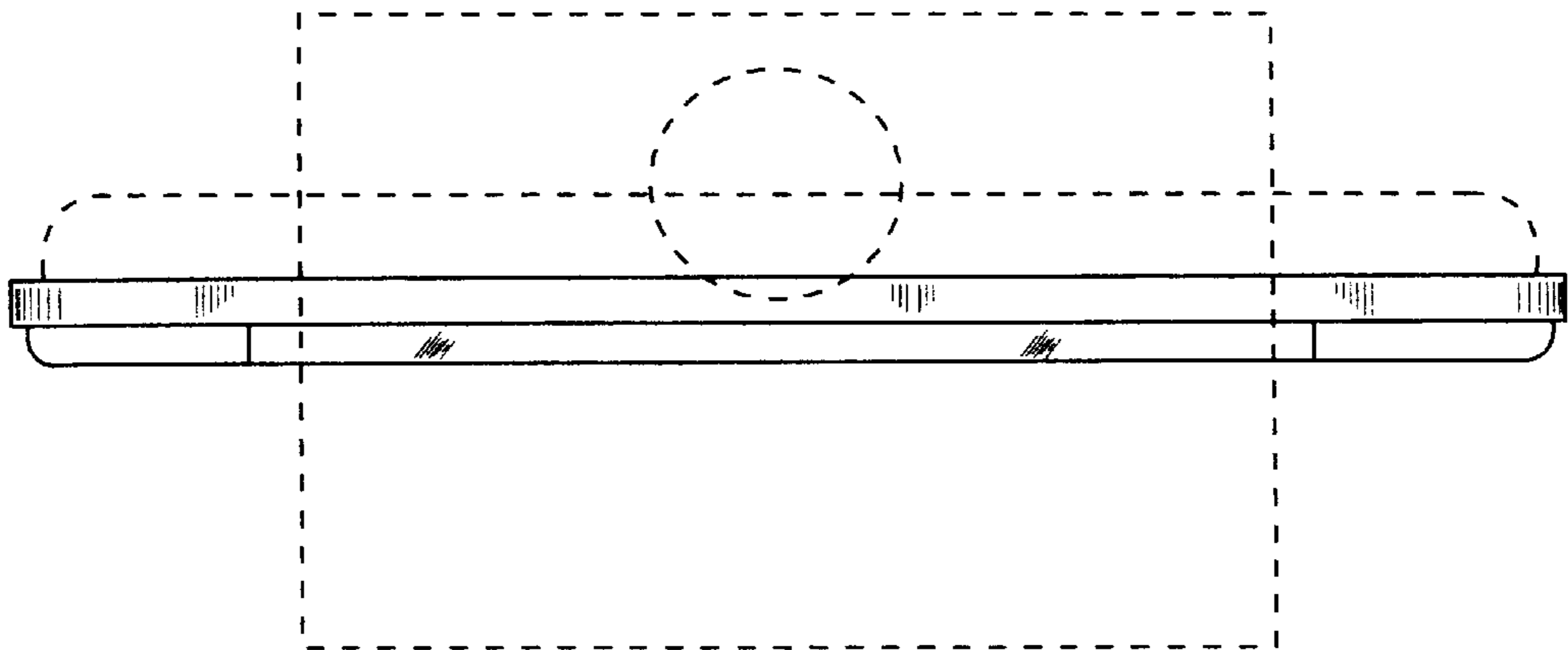


FIG.25

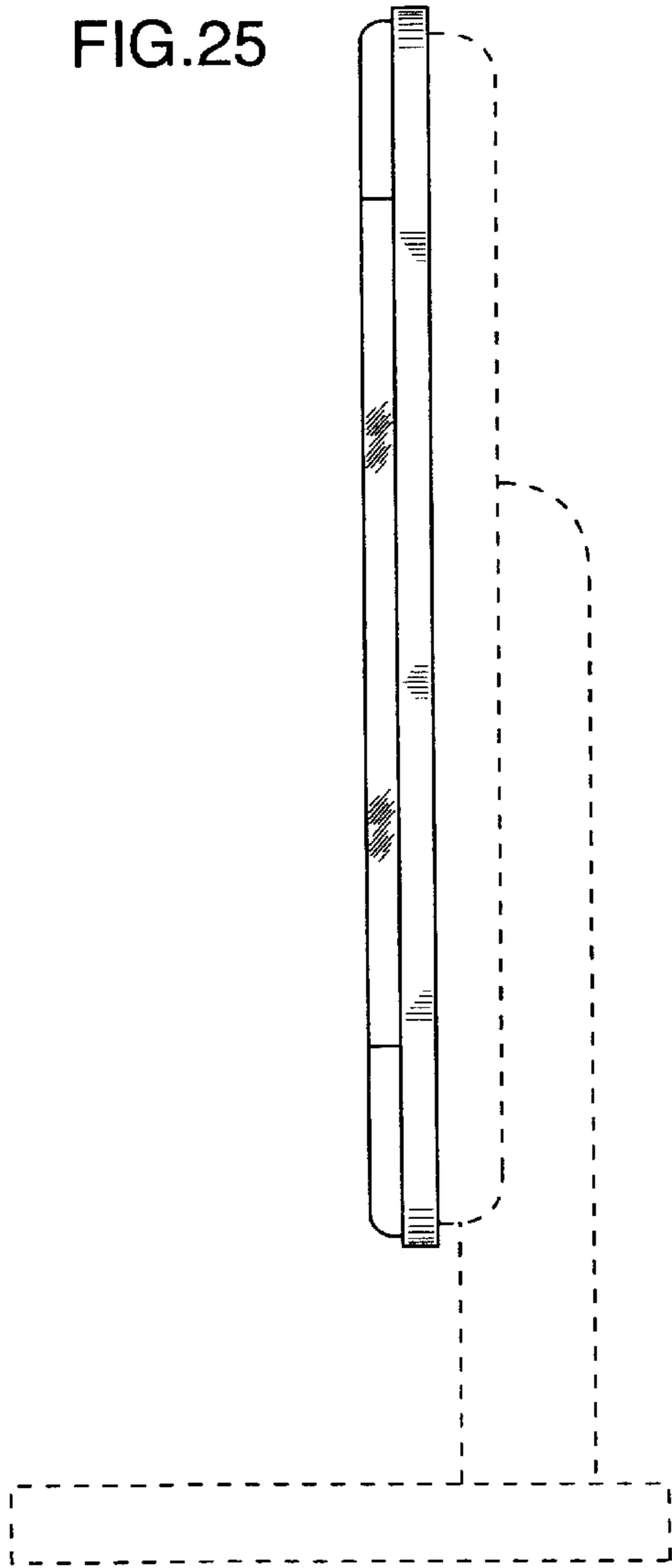


FIG.26

