



US00D473873S

(12) **United States Design Patent**  
**Pokrovsky et al.**

(10) **Patent No.:** **US D473,873 S**

(45) **Date of Patent:** **\*\* Apr. 29, 2003**

(54) **WATER RESISTANT SCANNER AND HOUSING**

(75) Inventors: **Alexey Pokrovsky**, Fresno, CA (US);  
**Robert Thomas Herold**, Clovis, CA (US)

(73) Assignee: **Pelco**, Clovis, CA (US)

(\*\*) Term: **14 Years**

(21) Appl. No.: **29/145,676**

(22) Filed: **Jul. 27, 2001**

(51) **LOC (7) Cl.** ..... **14-02**

(52) **U.S. Cl.** ..... **D14/423; D16/242**

(58) **Field of Search** ..... D16/200, 202,  
D16/203, 204, 205, 208, 218, 219, 242;  
D14/420-423; 396/25-29; 348/373-375;  
250/566; 355/64, 65, 75, 81

(56) **References Cited**

**U.S. PATENT DOCUMENTS**

3,019,715 A \* 2/1962 Arnold et al. .... 396/27  
3,567,949 A \* 3/1971 Forgotson et al. .... 250/556

D273,113 S \* 3/1984 Knoll ..... D14/116  
D315,742 S \* 3/1991 Matsumoto ..... D16/205  
D374,023 S \* 9/1996 Beck et al. .... D16/202  
5,617,762 A \* 4/1997 Kirsch ..... 348/373  
5,631,699 A \* 5/1997 Saito ..... 348/373  
D385,571 S \* 10/1997 Abrams ..... D16/203  
D387,789 S \* 12/1997 Sumida et al. .... D16/202  
D457,885 S \* 5/2002 Yanagihara et al. .... D14/420

\* cited by examiner

*Primary Examiner*—Adir Aronovich

(74) *Attorney, Agent, or Firm*—Mark D. Miller

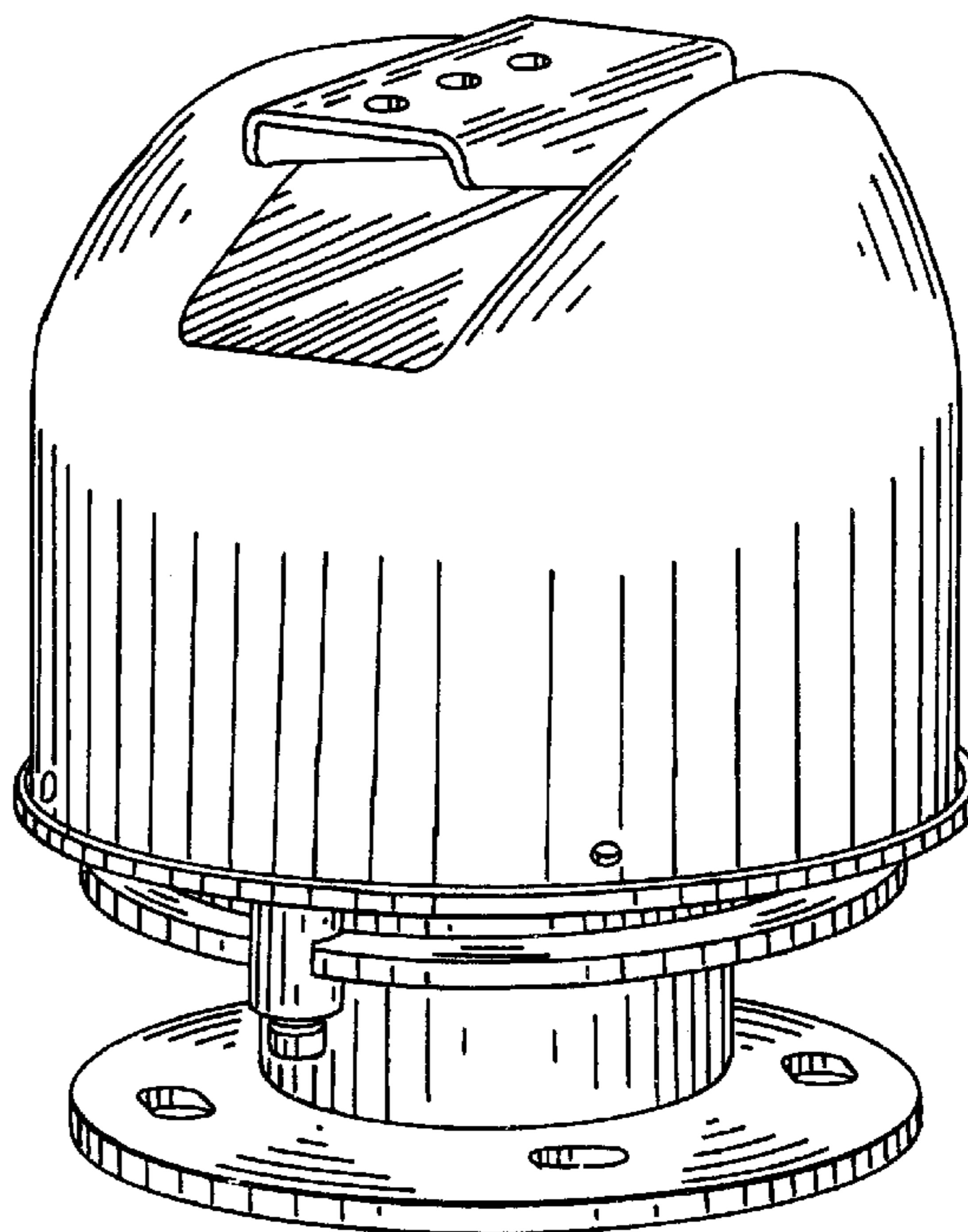
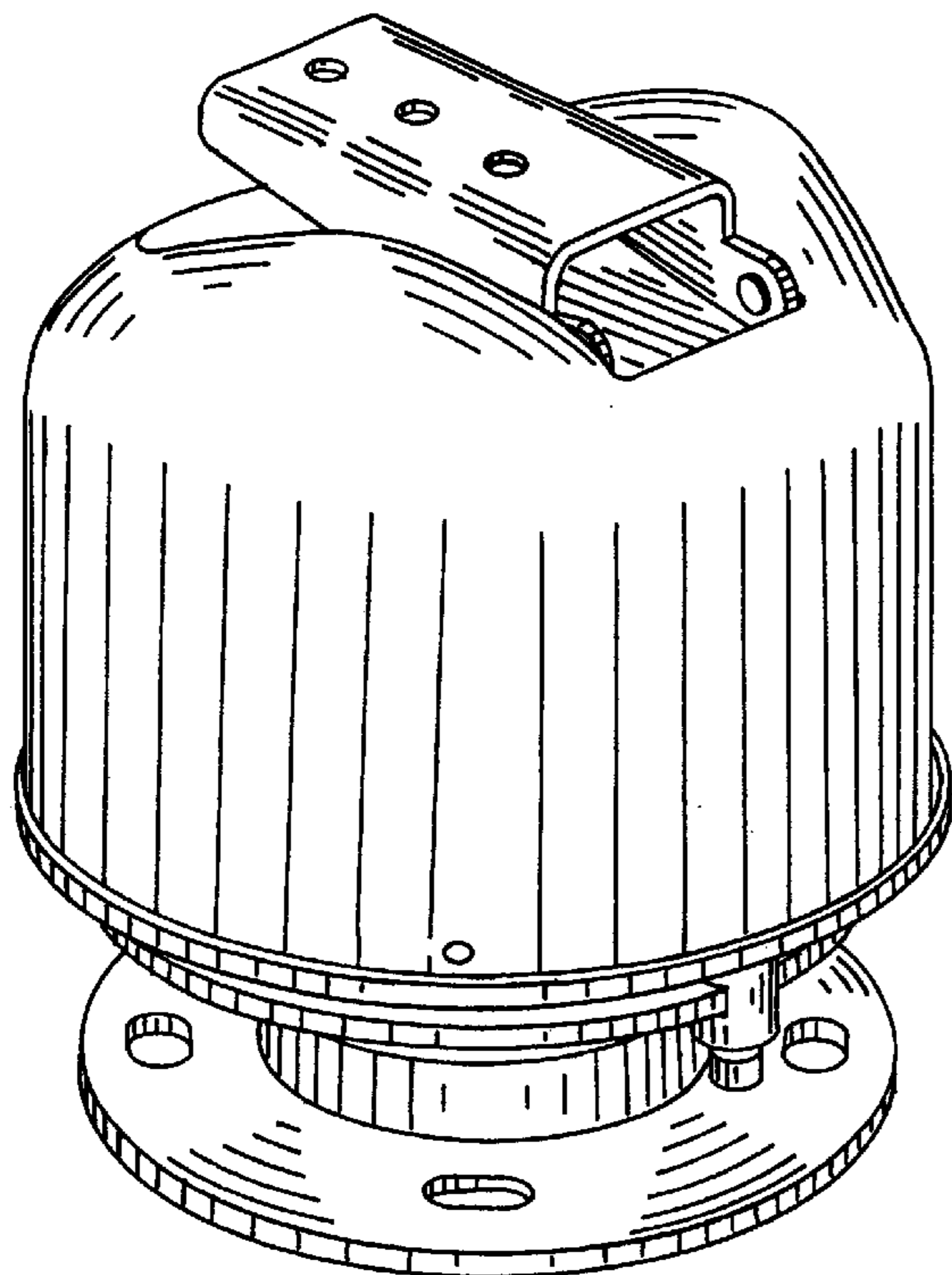
(57) **CLAIM**

The ornamental design for a water resistant scanner and housing, as shown.

**DESCRIPTION**

FIG. 1 is a front elevational view of the water resistant scanner and housing showing our new design; FIG. 2 is a rear elevational view thereof; FIG. 3 is a left side elevational view thereof; FIG. 4 is a front perspective view thereof; and, FIG. 5 is a rear perspective view thereof.

**1 Claim, 3 Drawing Sheets**



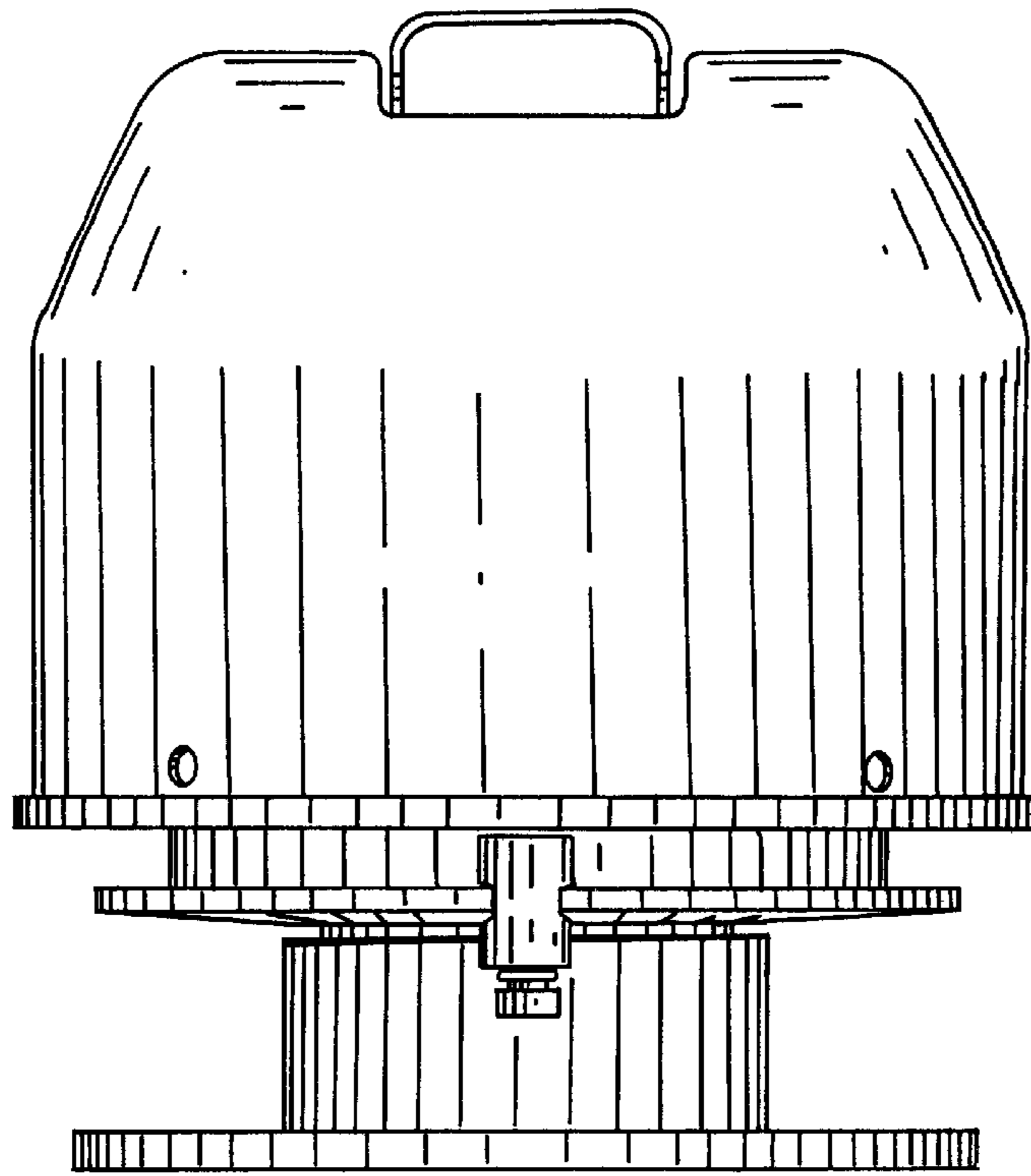


FIG. 1

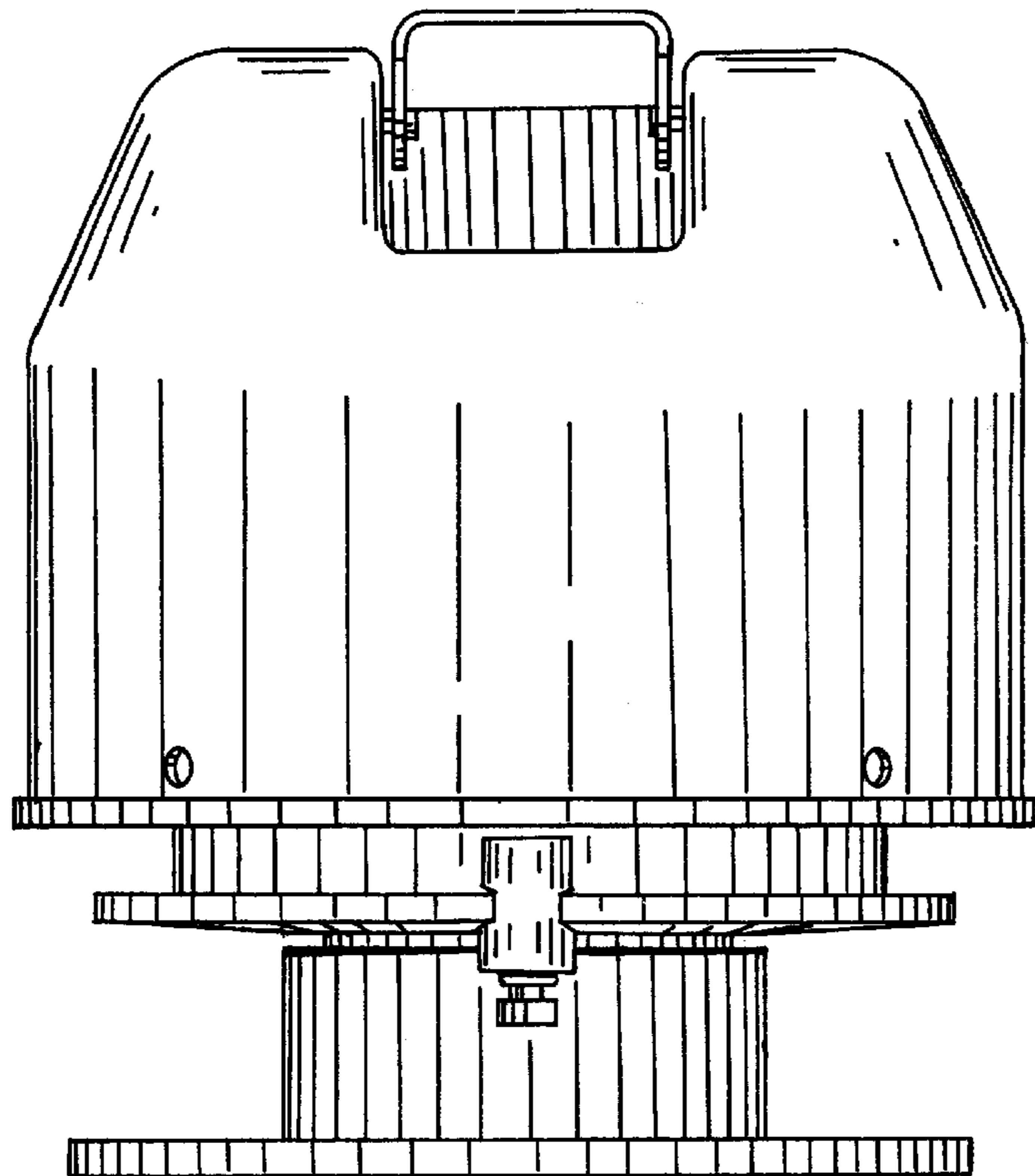


FIG. 2

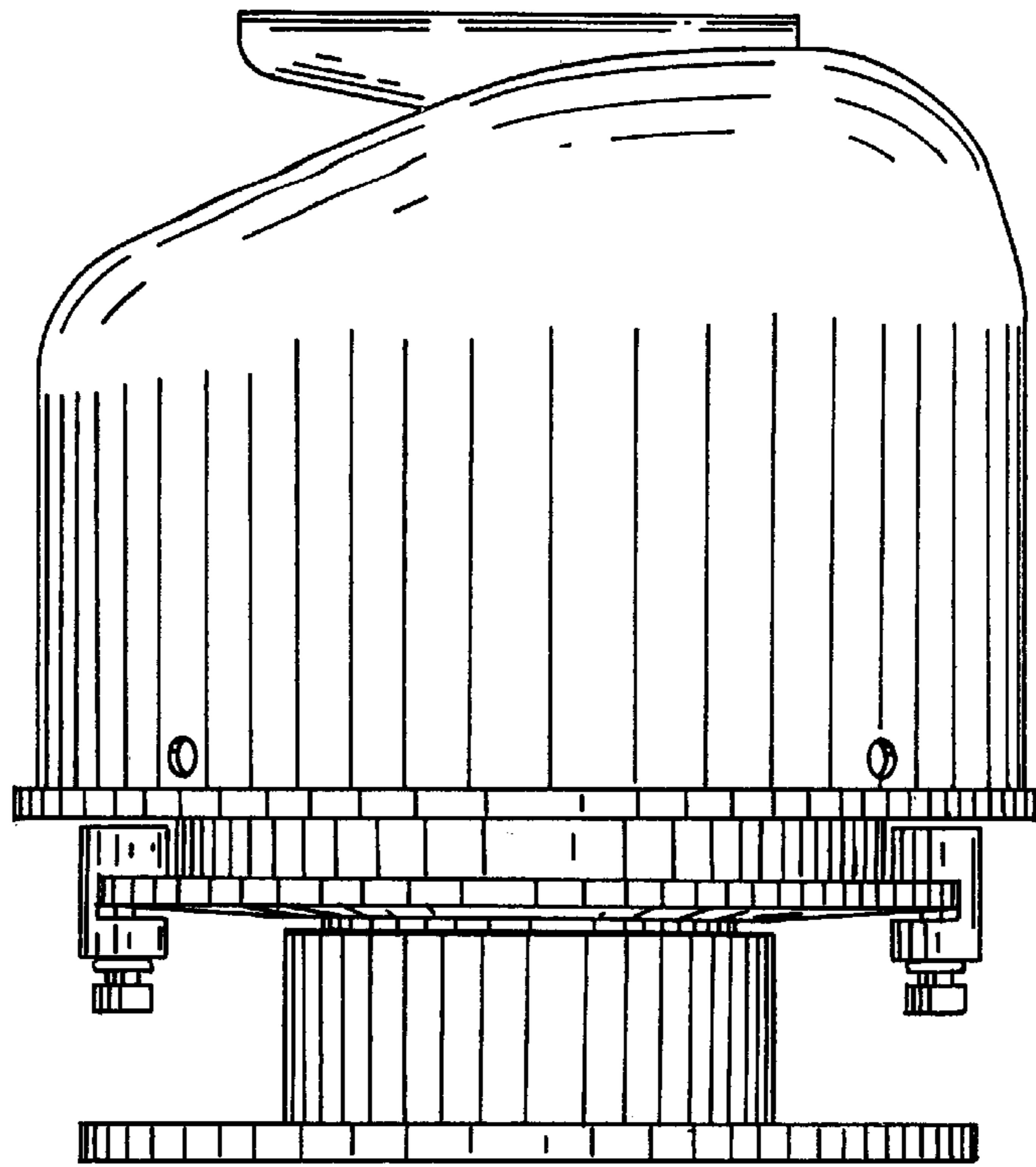


FIG. 3

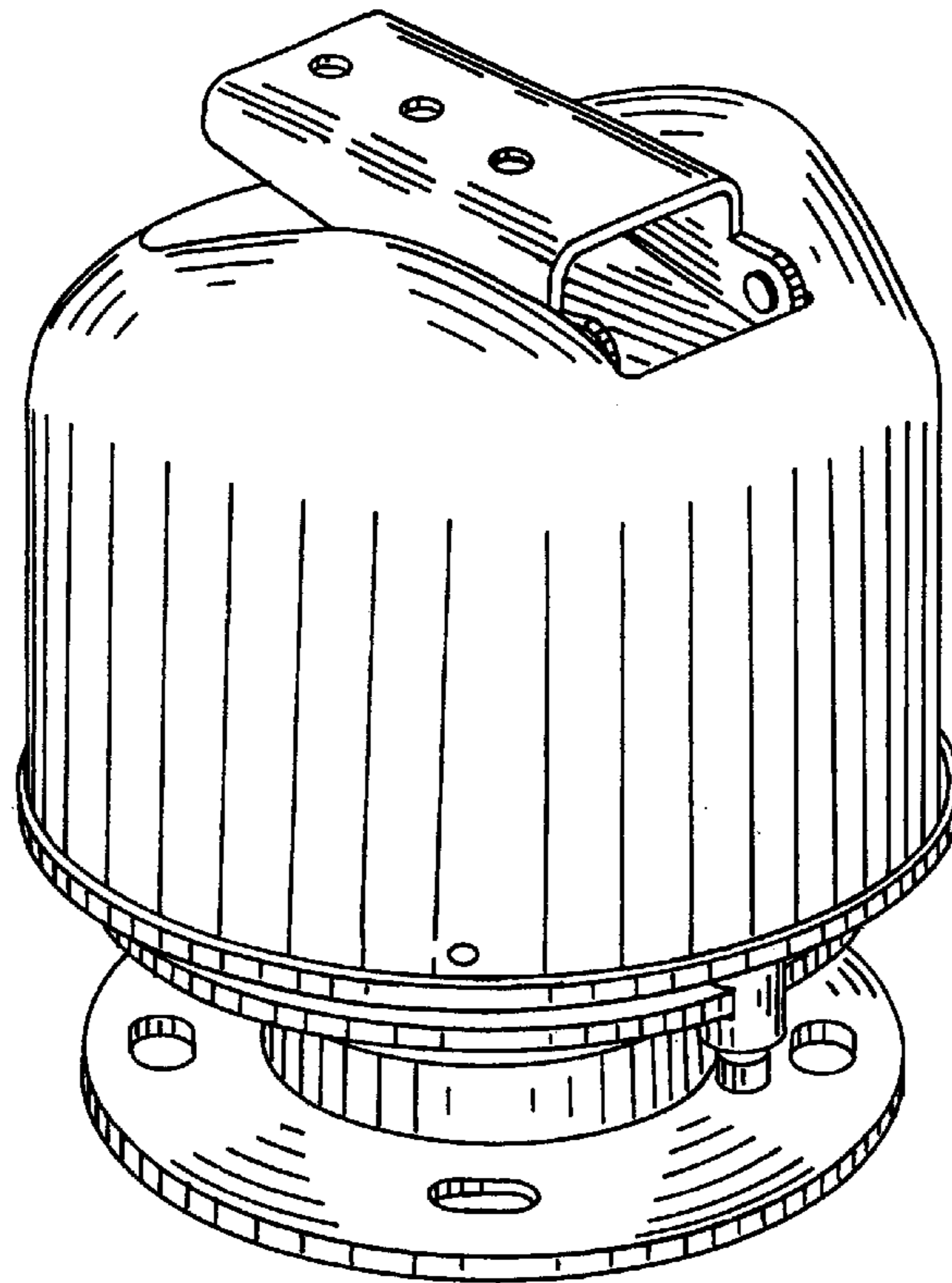


FIG. 4

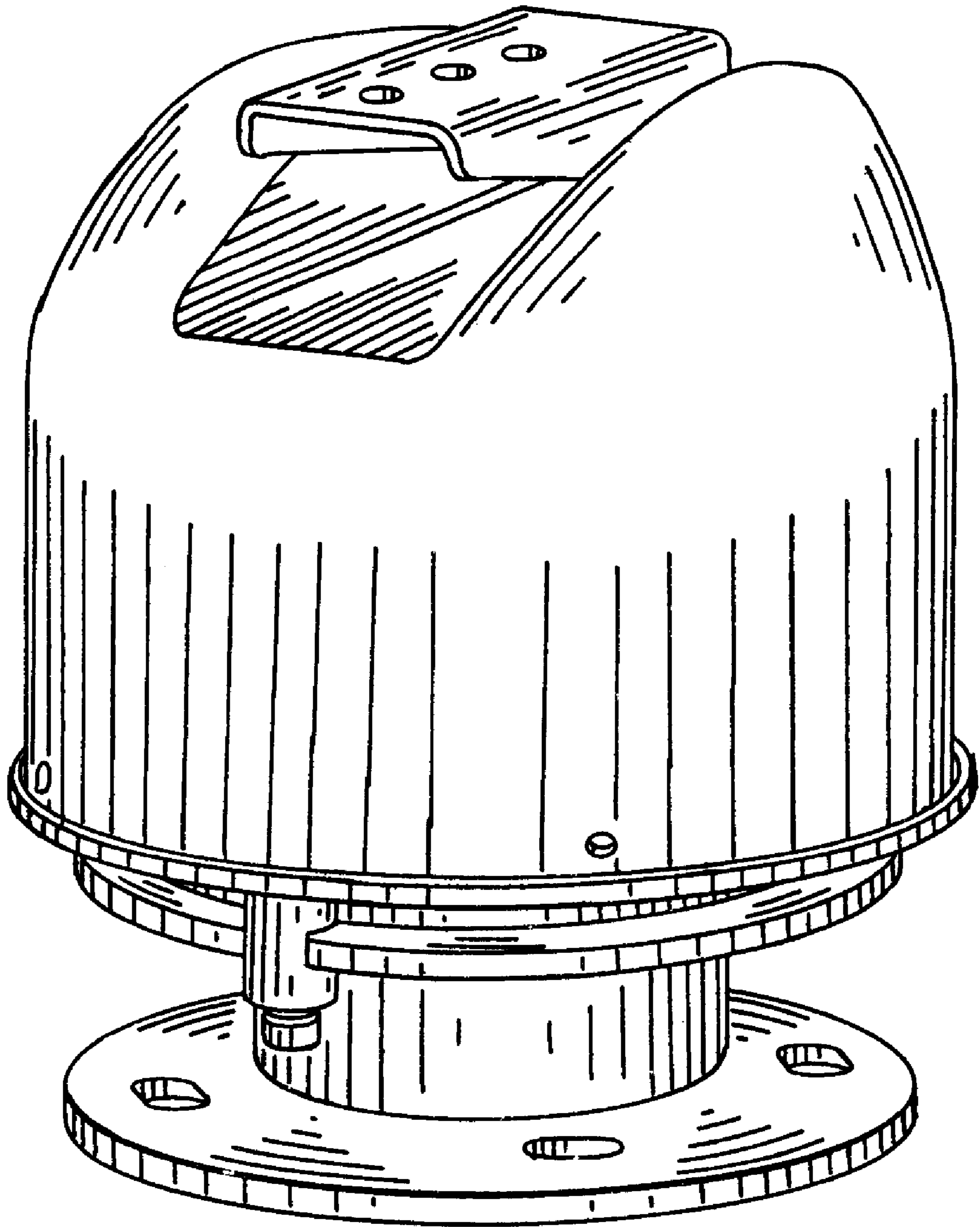


FIG. 5