



US00D473868S

(12) **United States Design Patent**
Tai

(10) **Patent No.:** **US D473,868 S**

(45) **Date of Patent:** **** Apr. 29, 2003**

(54) **LCD MONITOR**

(75) **Inventor:** **Hsueh-Tun Tai, Hsin Tien (TW)**

(73) **Assignee:** **Chuntex Electronic Co., Ltd., Hsin Tien (TW)**

(**) **Term:** **14 Years**

(21) **Appl. No.:** **29/165,963**

(22) **Filed:** **Aug. 19, 2002**

(30) **Foreign Application Priority Data**

Jun. 3, 2002 (TW) 91302773

(51) **LOC (7) Cl.** **14-02**

(52) **U.S. Cl.** **D14/375**

(58) **Field of Search** D14/371, 374-376,
D14/125-129, 336, 337; D18/4, 5; 248/917-924,
124.1, 183.3, 184.1; 345/104, 156, 168,
173; 348/180, 184, 325, 739, 838; 349/1,
2, 11, 62; 708/272

(56) **References Cited**

U.S. PATENT DOCUMENTS

D247,748 S * 4/1978 Ebner et al. D14/376

D407,077 S * 3/1999 Shibata D14/374
D416,549 S * 11/1999 Coster et al. D14/375
D416,876 S * 11/1999 Yin D14/375
D453,022 S * 1/2002 Oba D14/374

* cited by examiner

Primary Examiner—Freda Nunn
(74) *Attorney, Agent, or Firm*—Dellett & Walters

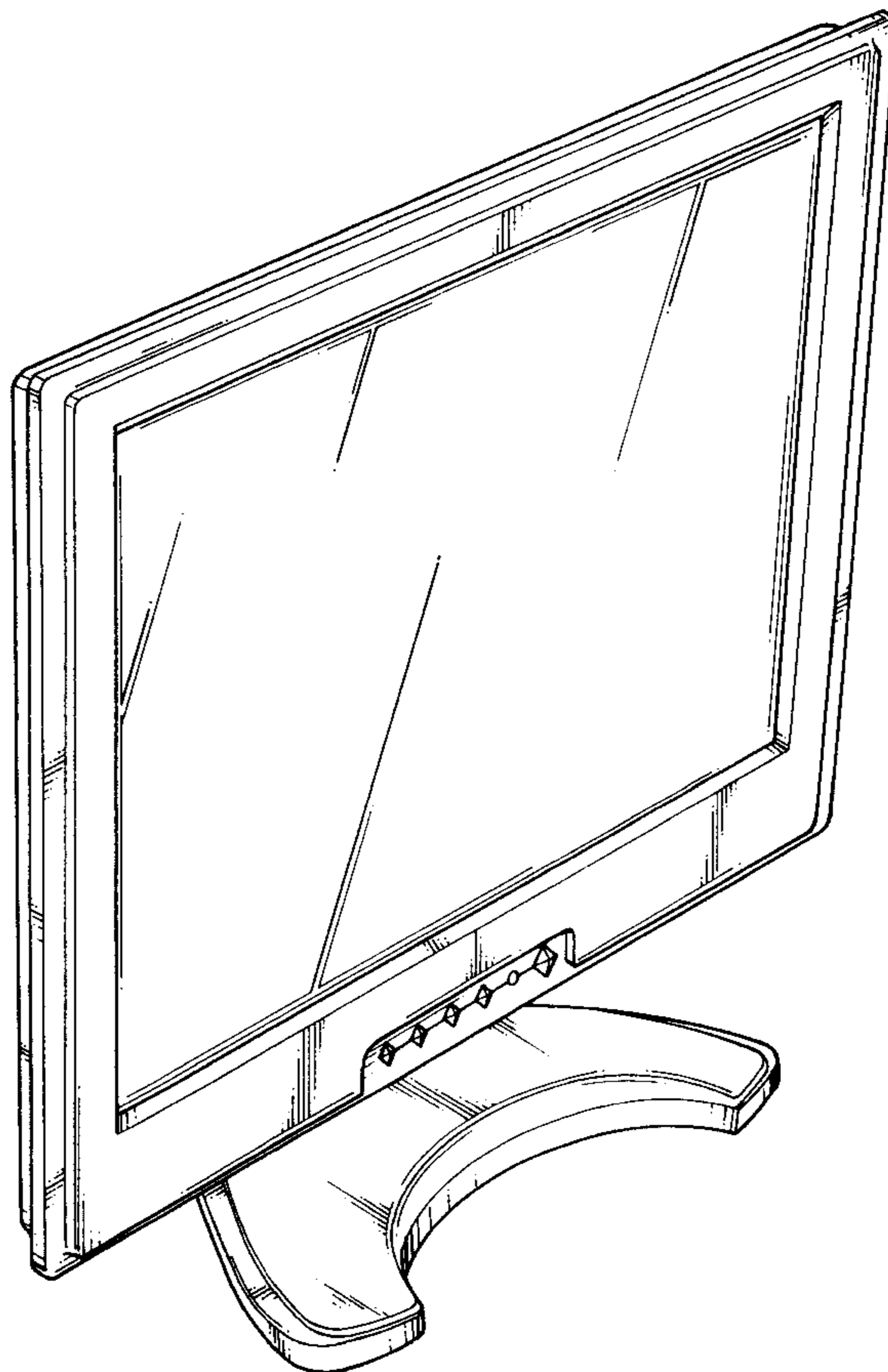
(57) **CLAIM**

The ornamental design for an LCD monitor, as shown.

DESCRIPTION

FIG. 1 is a perspective view of an LCD monitor, showing my new design;
FIG. 2 is a front elevational view thereof;
FIG. 3 is a rear elevational view thereof;
FIG. 4 is a left elevational view thereof;
FIG. 5 is a right elevational view thereof;
FIG. 6 is top plan view thereof; and,
FIG. 7 is a bottom plan view thereof.

1 Claim, 5 Drawing Sheets



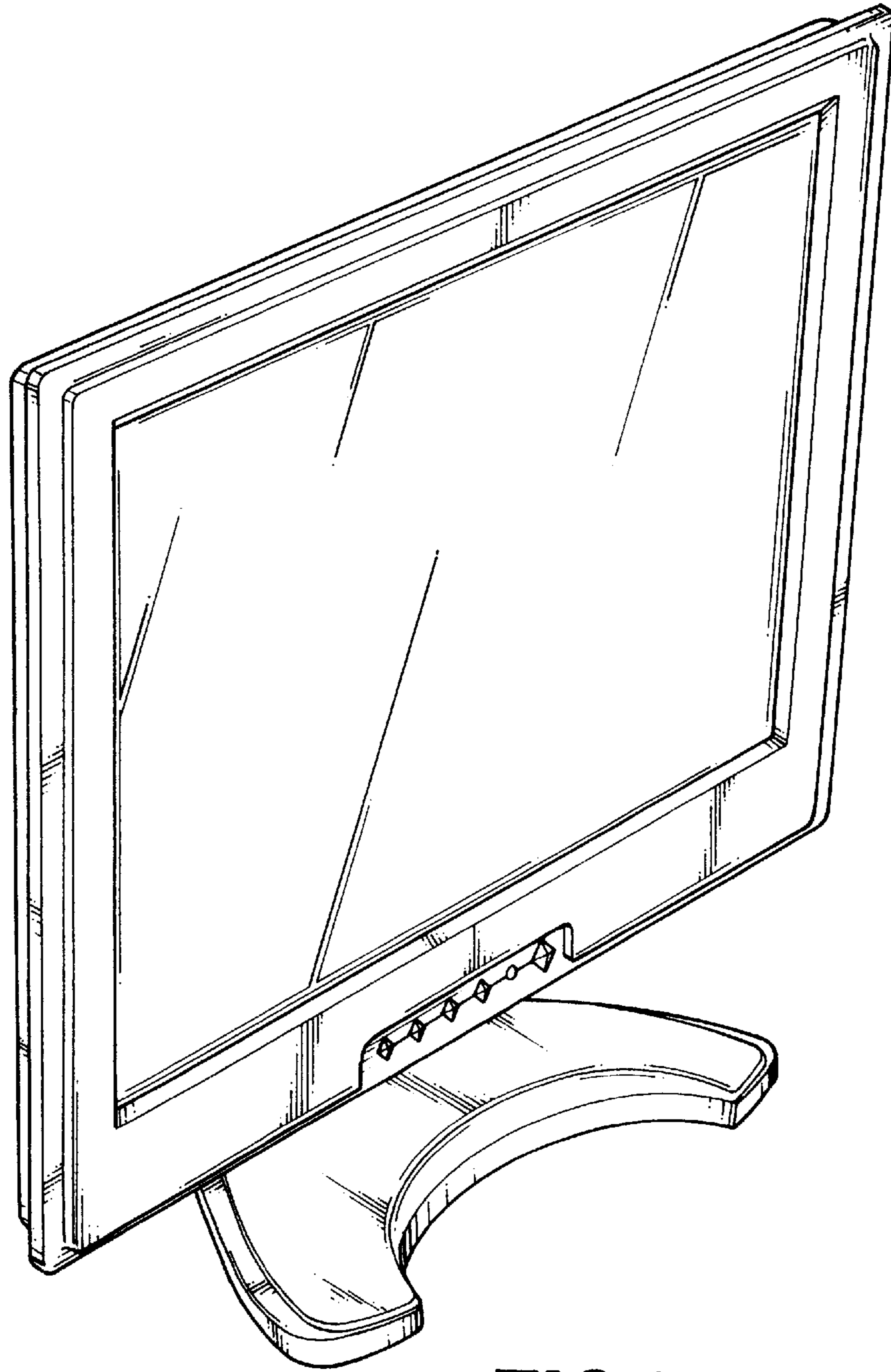


FIG.1

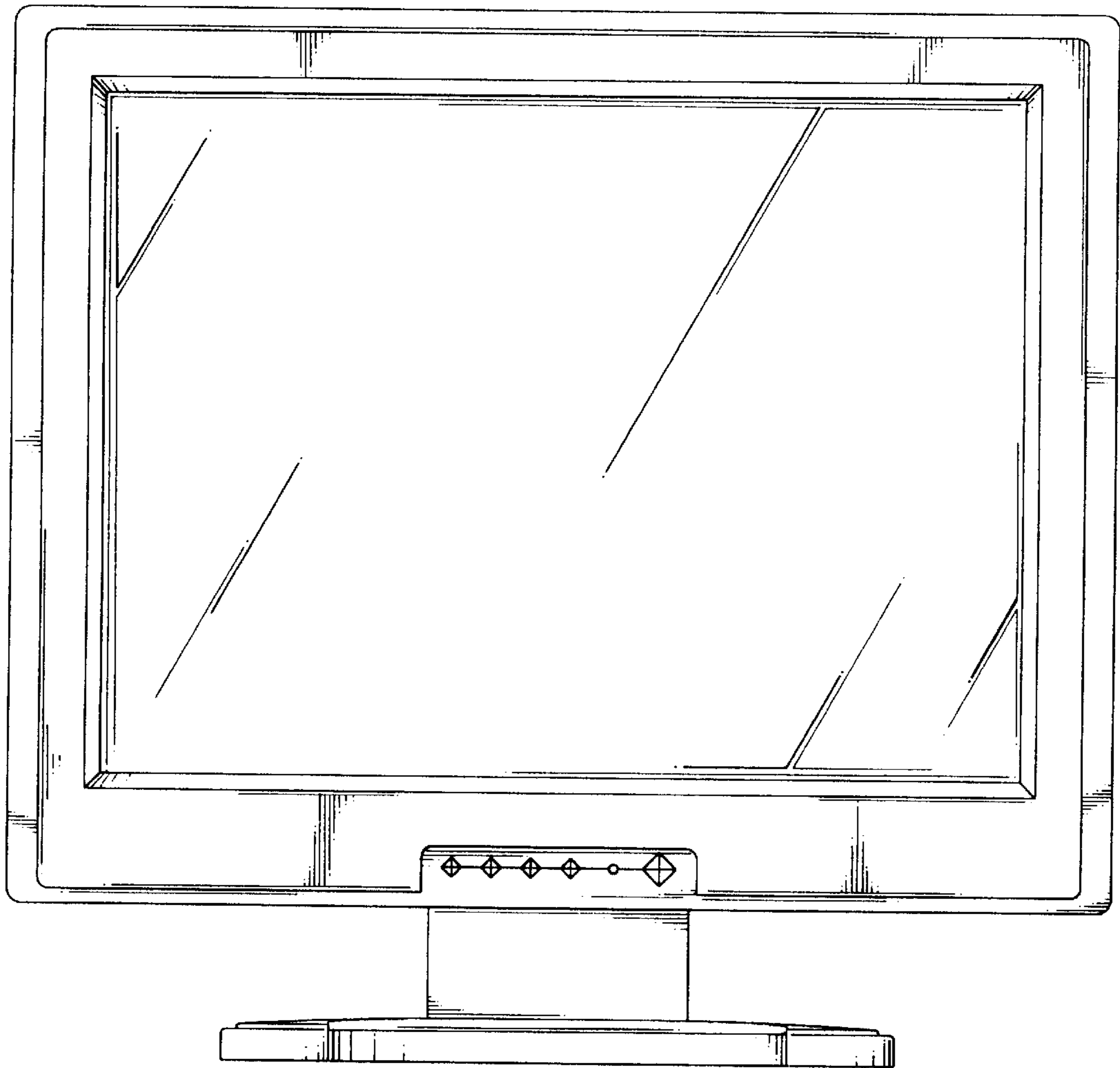


FIG. 2

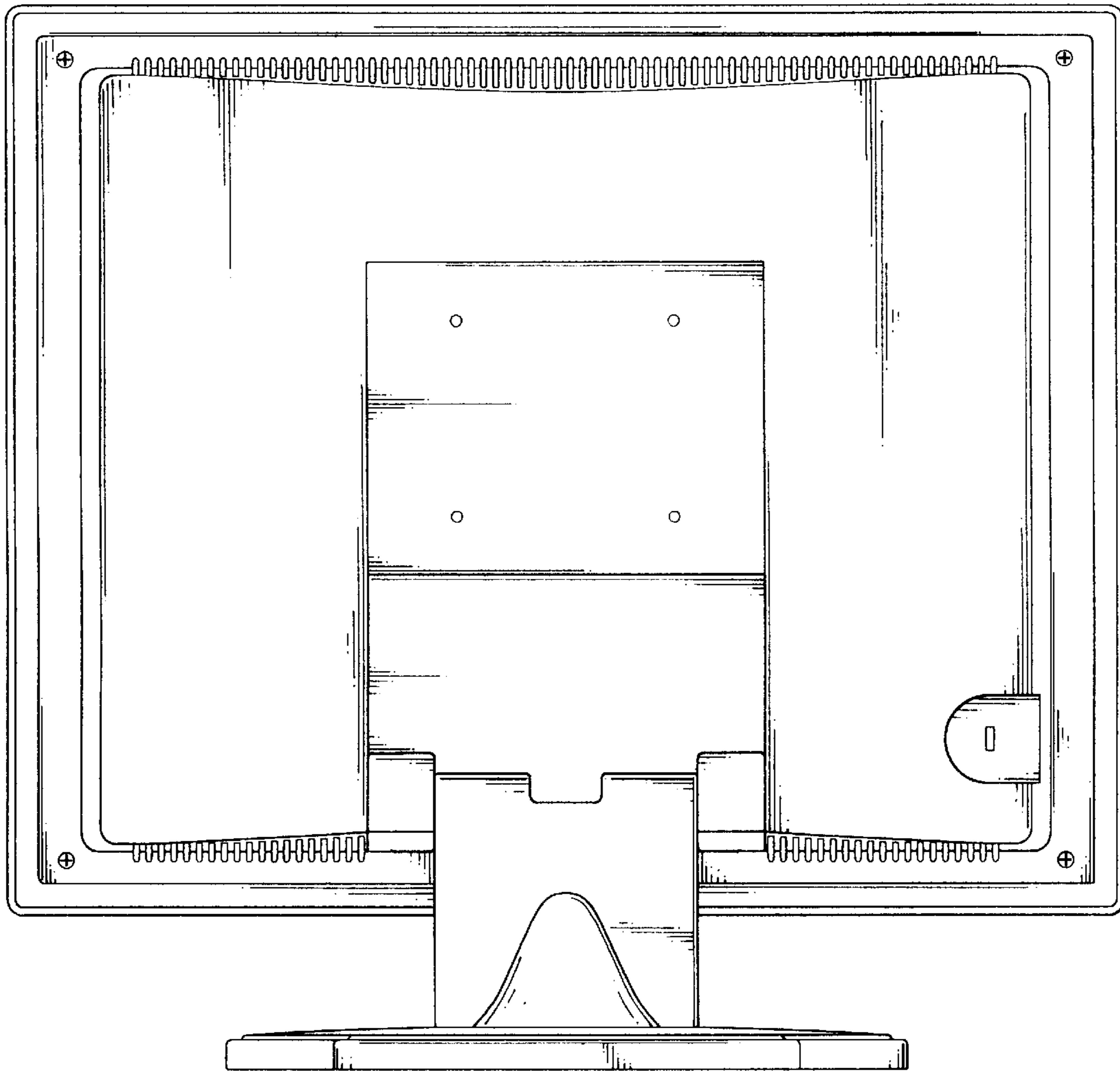


FIG. 3

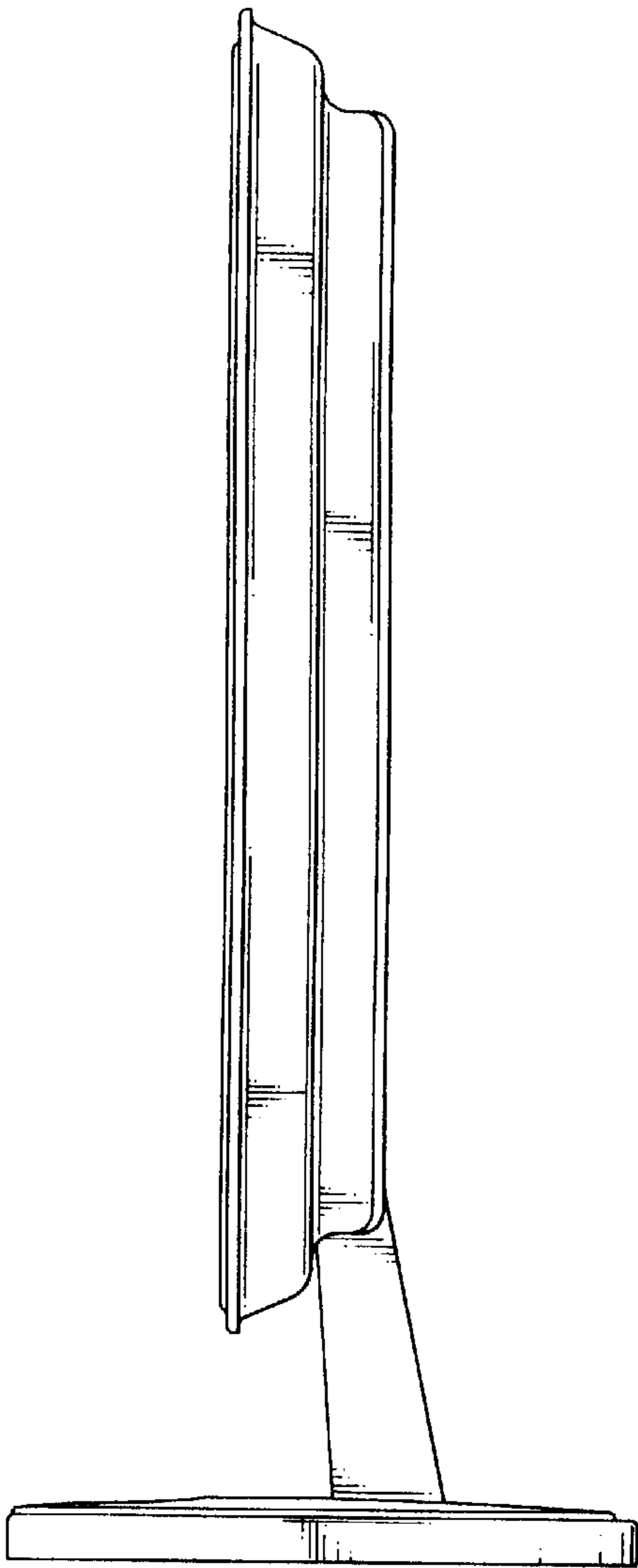


FIG. 5

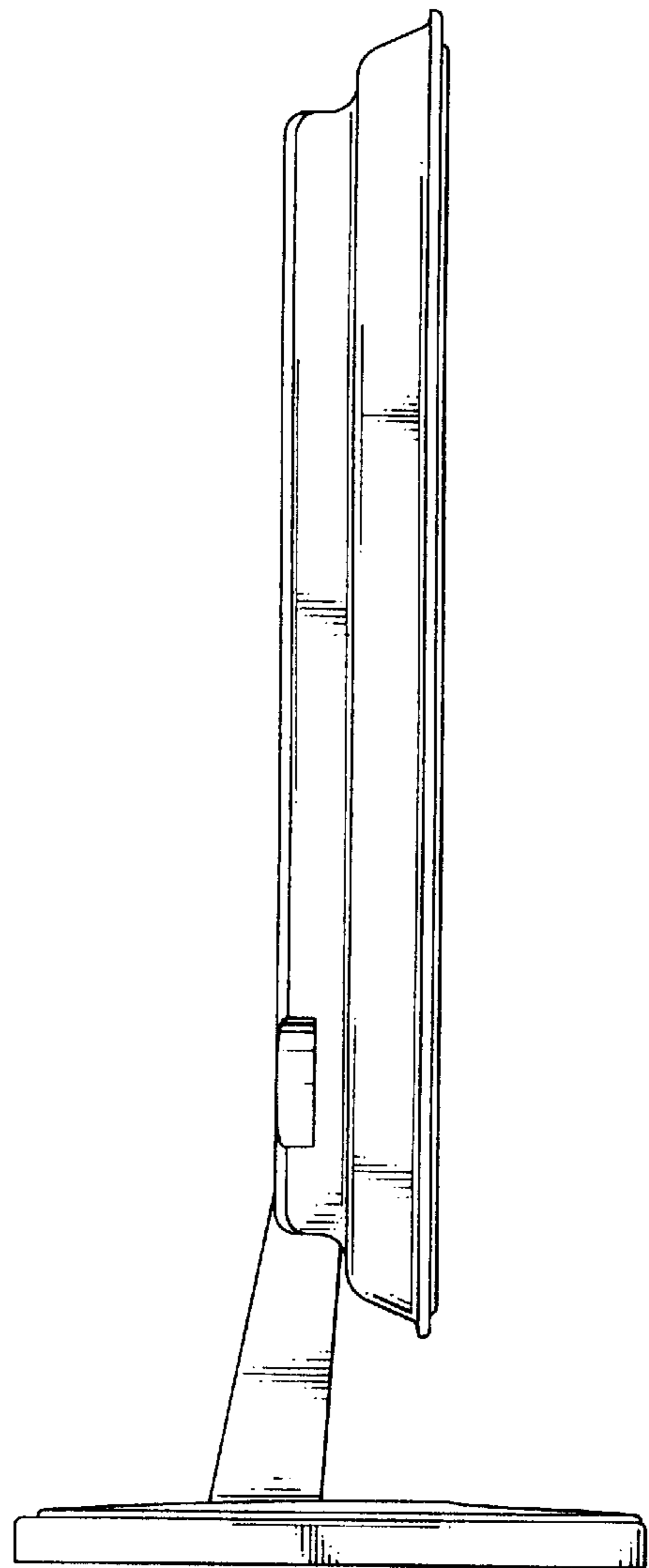


FIG. 4

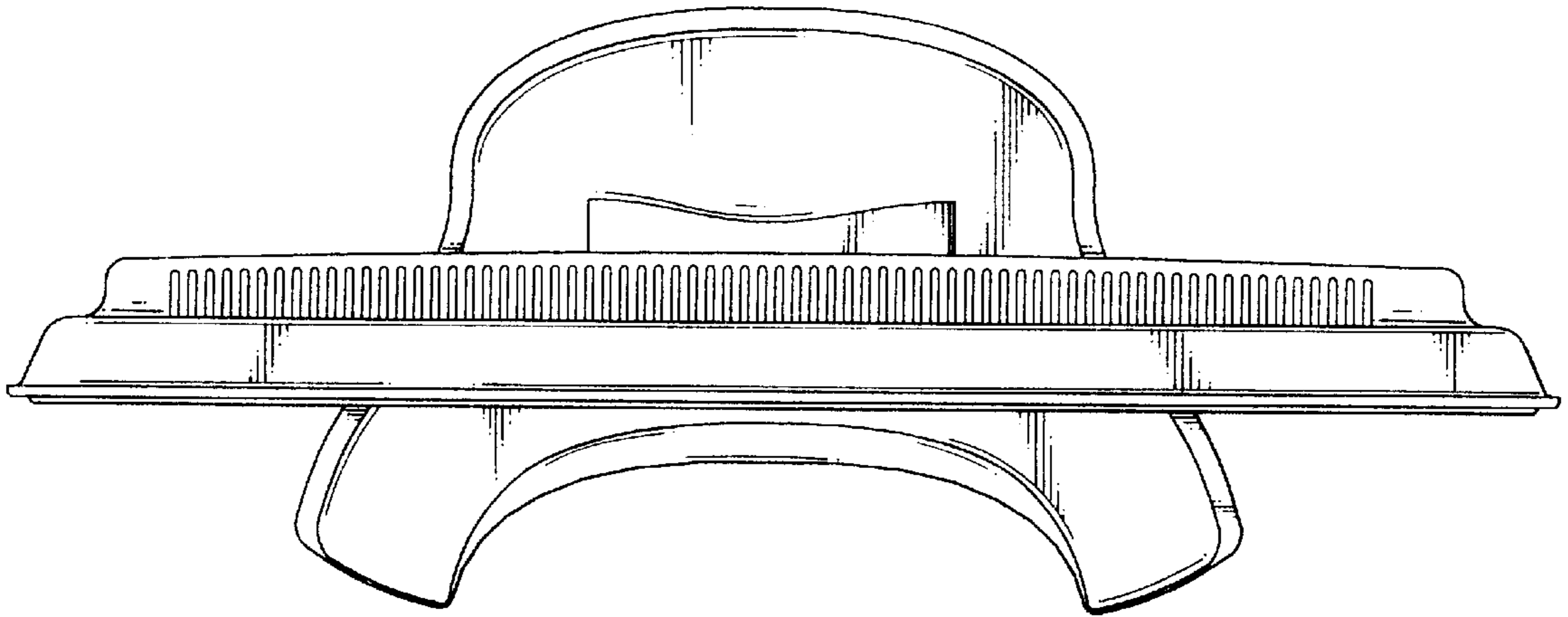


FIG. 6

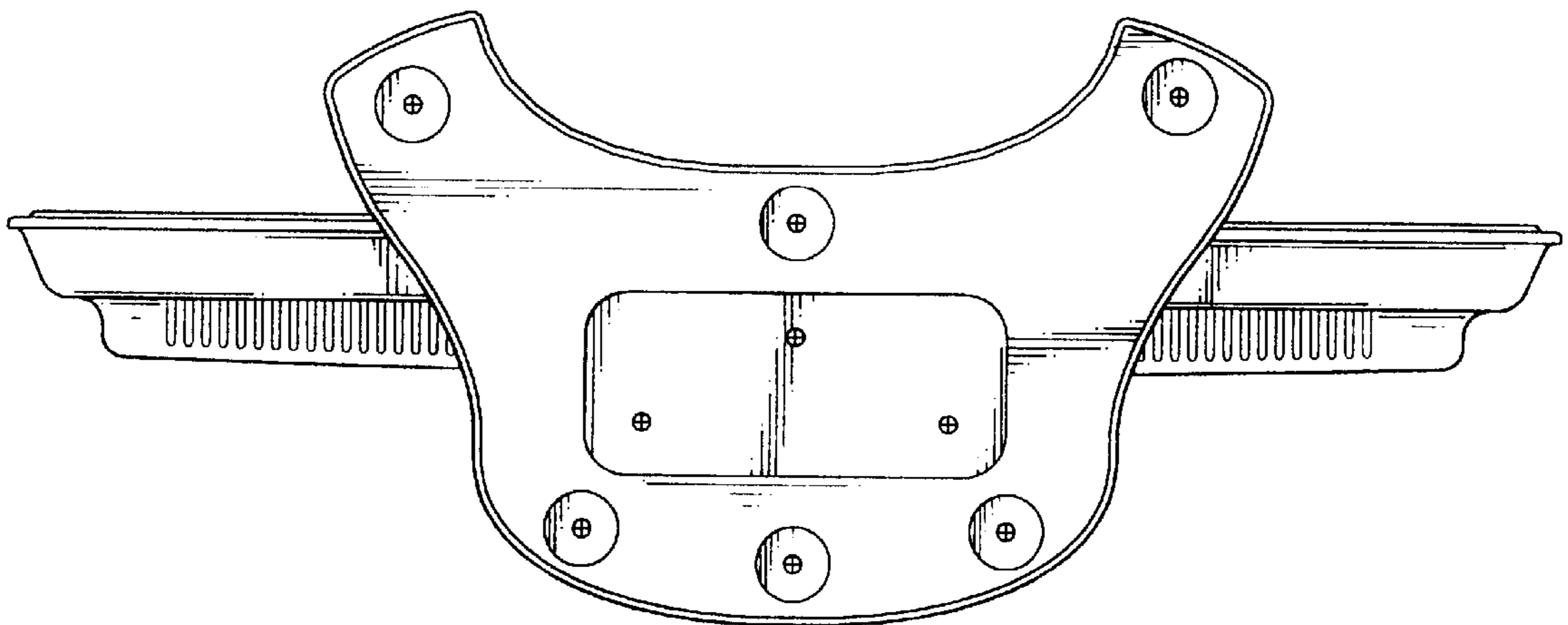


FIG. 7