



US00D473867S

(12) **United States Design Patent**
Lin

(10) **Patent No.:** **US D473,867 S**

(45) **Date of Patent:** **** Apr. 29, 2003**

(54) **LCD DISPLAY**

(75) Inventor: **Roger Lin**, Taipei (TW)

(73) Assignee: **HannStar Display Corp.**, Taipei (TW)

(**) Term: **14 Years**

(21) Appl. No.: **29/162,208**

(22) Filed: **Jun. 11, 2002**

(51) **LOC (7) Cl.** **14-02**

(52) **U.S. Cl.** **D14/371**

(58) **Field of Search** D14/125-130,
D14/371, 374-376; D16/227; D21/328,
329, 515, 333, 318; 341/12; 345/104, 156,
168, 173, 87; 348/180, 184, 325, 739; 349/1,
2, 11, 62; 248/918-924; 40/594

(56) **References Cited**

U.S. PATENT DOCUMENTS

D221,968 S	*	9/1971	Fieldhouse	D21/329
D398,659 S	*	9/1998	Yokoi	D21/333
D401,605 S	*	11/1998	Shirley	D16/227
D434,399 S	*	11/2000	Lanet	D14/130
D453,511 S	*	2/2002	Goto	D14/371

* cited by examiner

Primary Examiner—Freda Nunn

(74) *Attorney, Agent, or Firm*—Merchant & Gould; Tim Tingkang Xia

(57) **CLAIM**

The ornamental design for an LCD display, as shown and described.

DESCRIPTION

FIG. 1 is a front perspective view of an LCD display showing my design without nets;

FIG. 2 is a right side elevational view of the embodiment shown in FIG. 1 thereof;

FIG. 3 is a top plane view of the embodiment shown in FIG. 1 thereof;

FIG. 4 is a front elevational view of the embodiment shown in FIG. 1 thereof;

FIG. 5 is a bottom plane view of the embodiment shown in FIG. 1 so thereof;

FIG. 6 is a left side elevational view of the embodiment shown in FIG. 1 thereof;

FIG. 7 is a rear elevational of the embodiment shown in FIG. 1 view thereof;

FIG. 8 is a front perspective view thereof with nets;

FIG. 9 is a right side elevational view thereof;

FIG. 10 is a top plane view thereof;

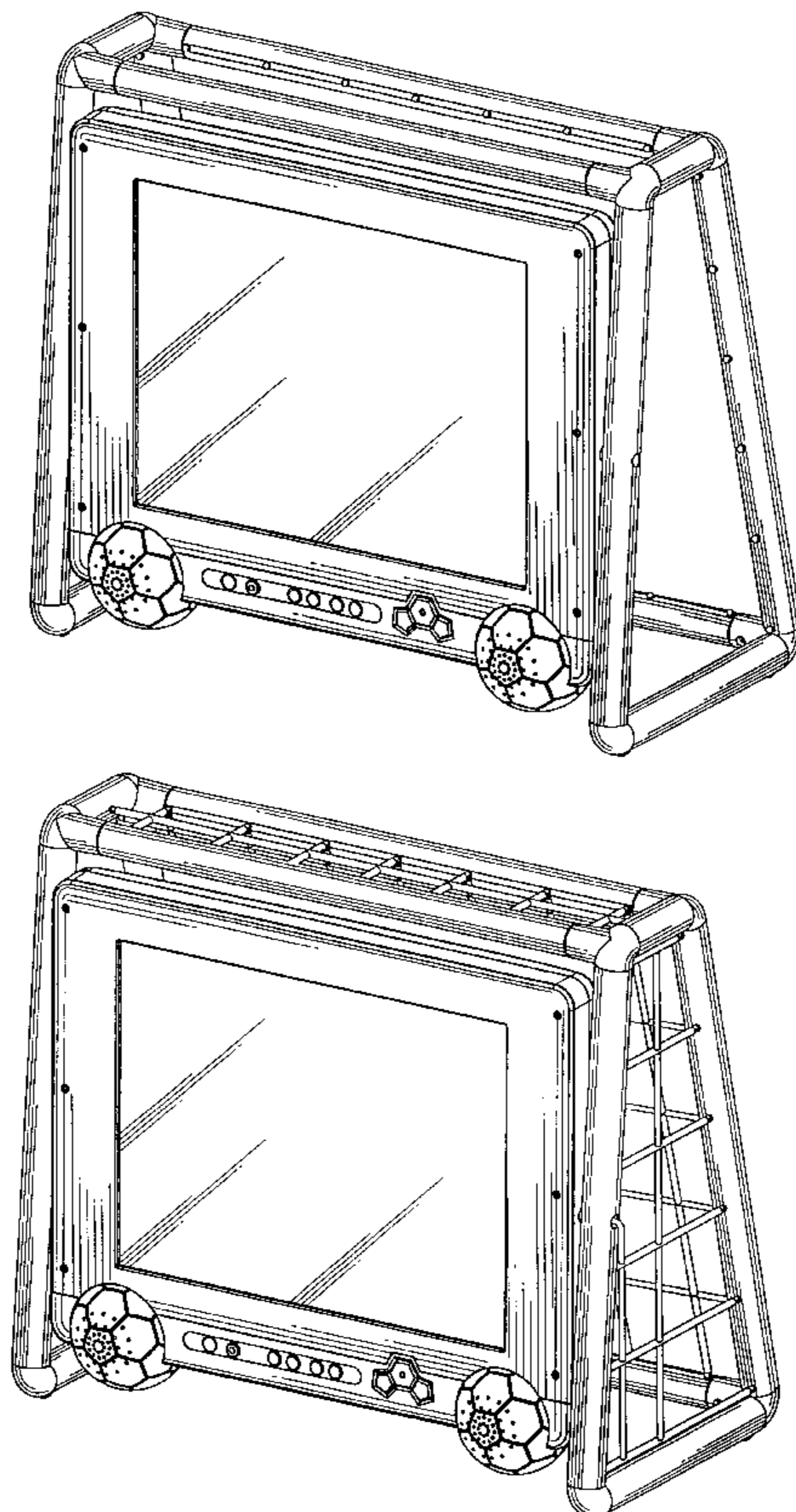
FIG. 11 is a front elevational view thereof;

FIG. 12 is a bottom plane view thereof;

FIG. 13 is a left side elevational view thereof; and,

FIG. 14 is a rear elevational view thereof.

1 Claim, 14 Drawing Sheets



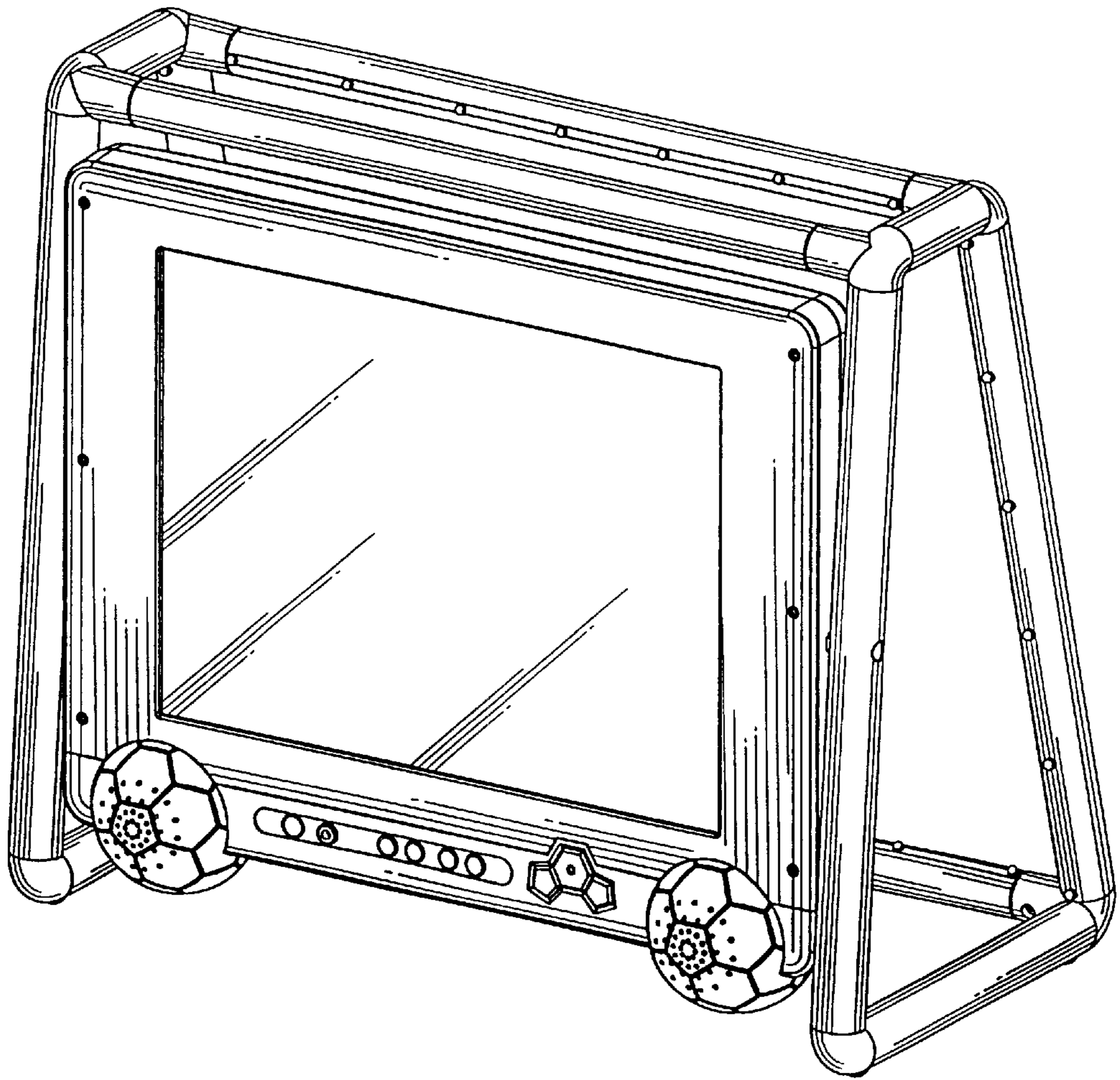


FIG. 1

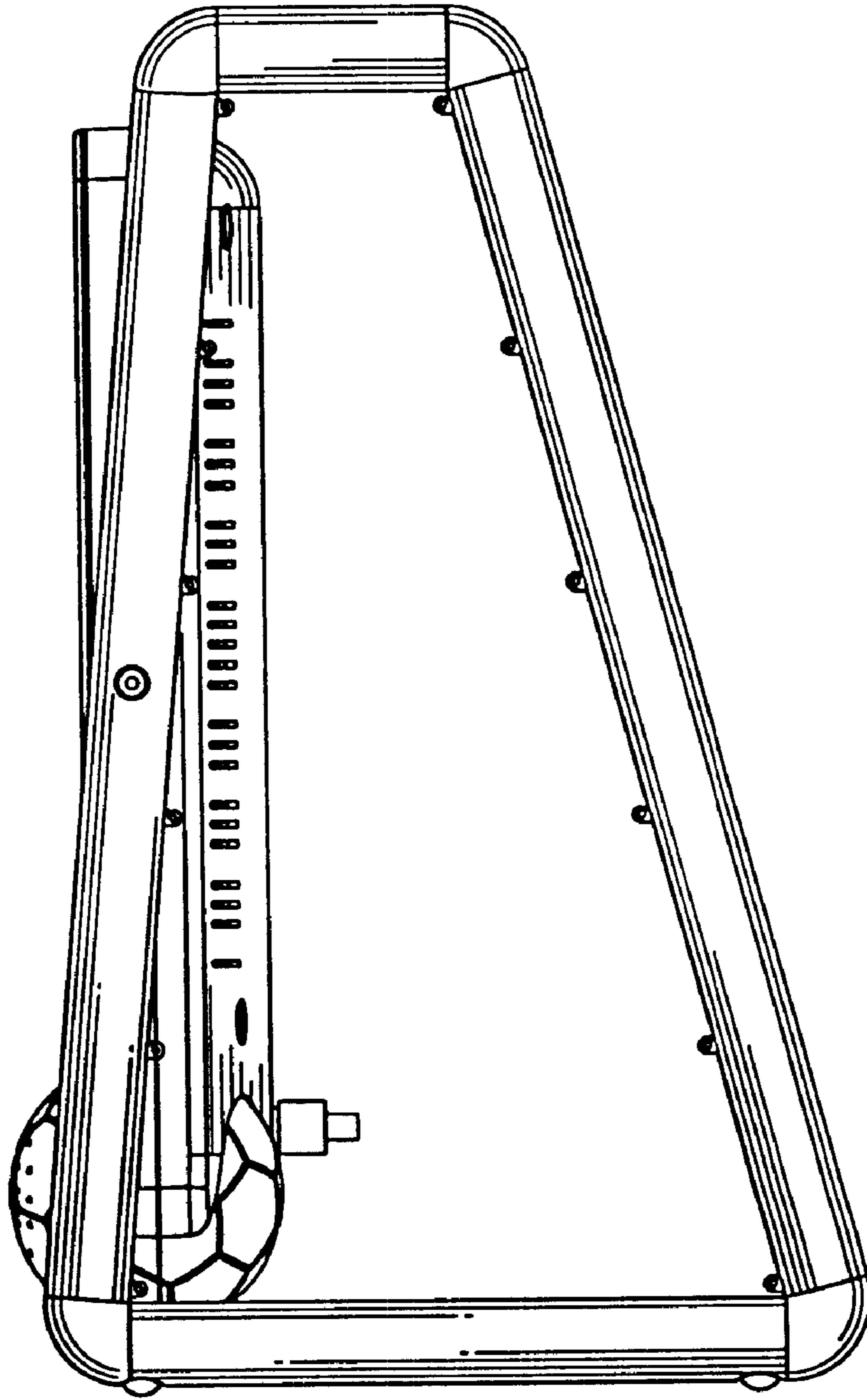


FIG. 2

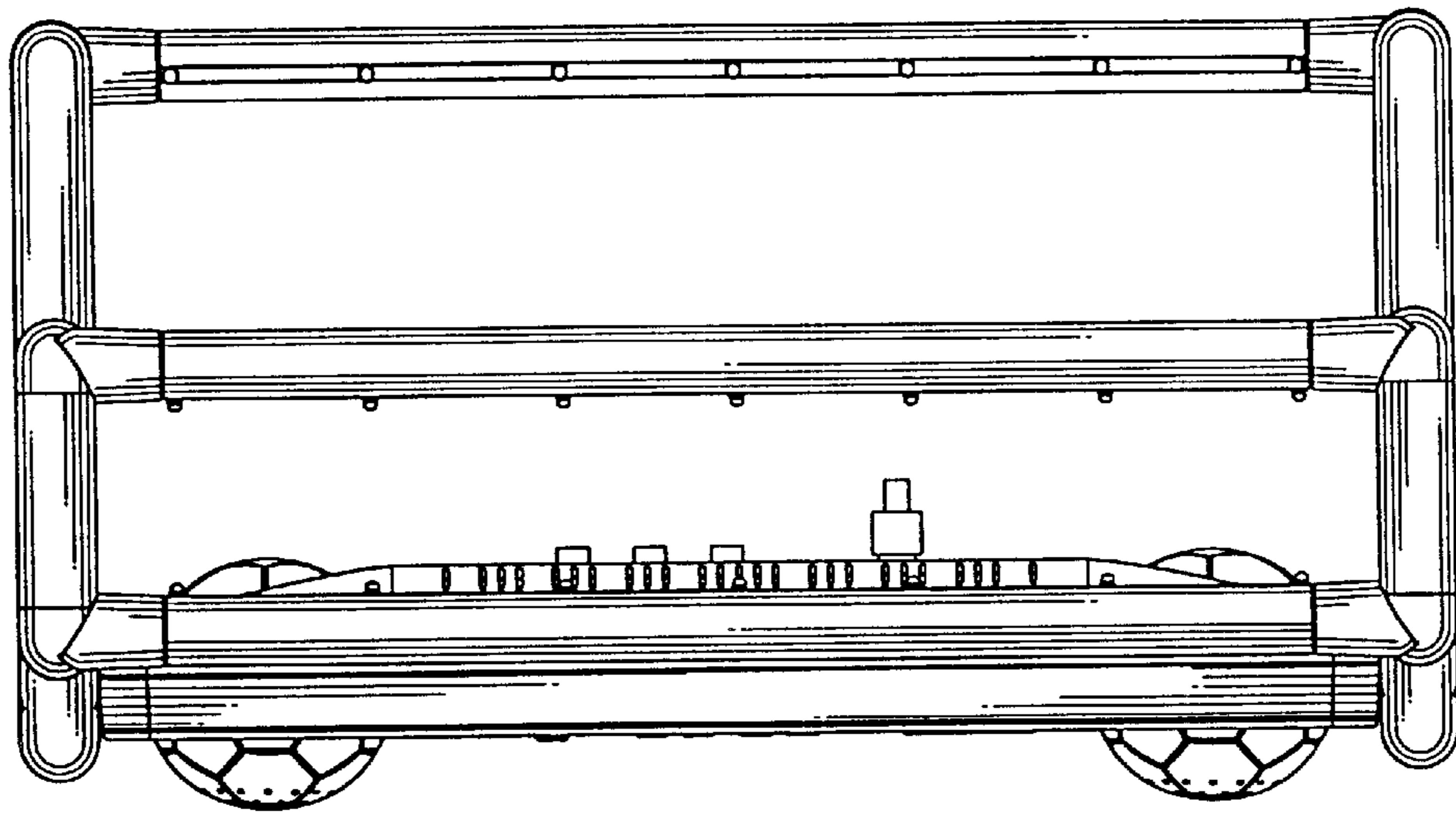


FIG. 3

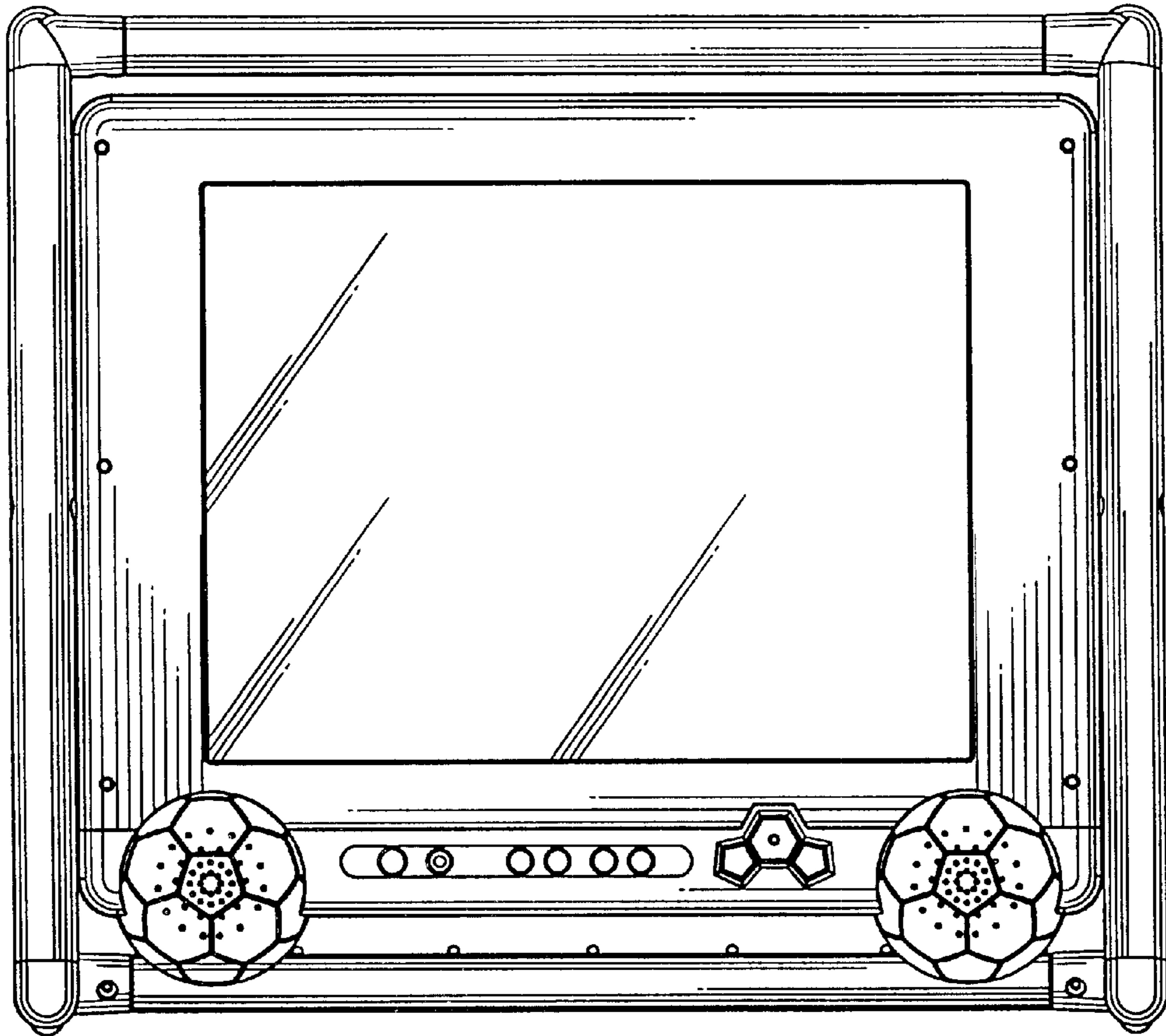


FIG. 4

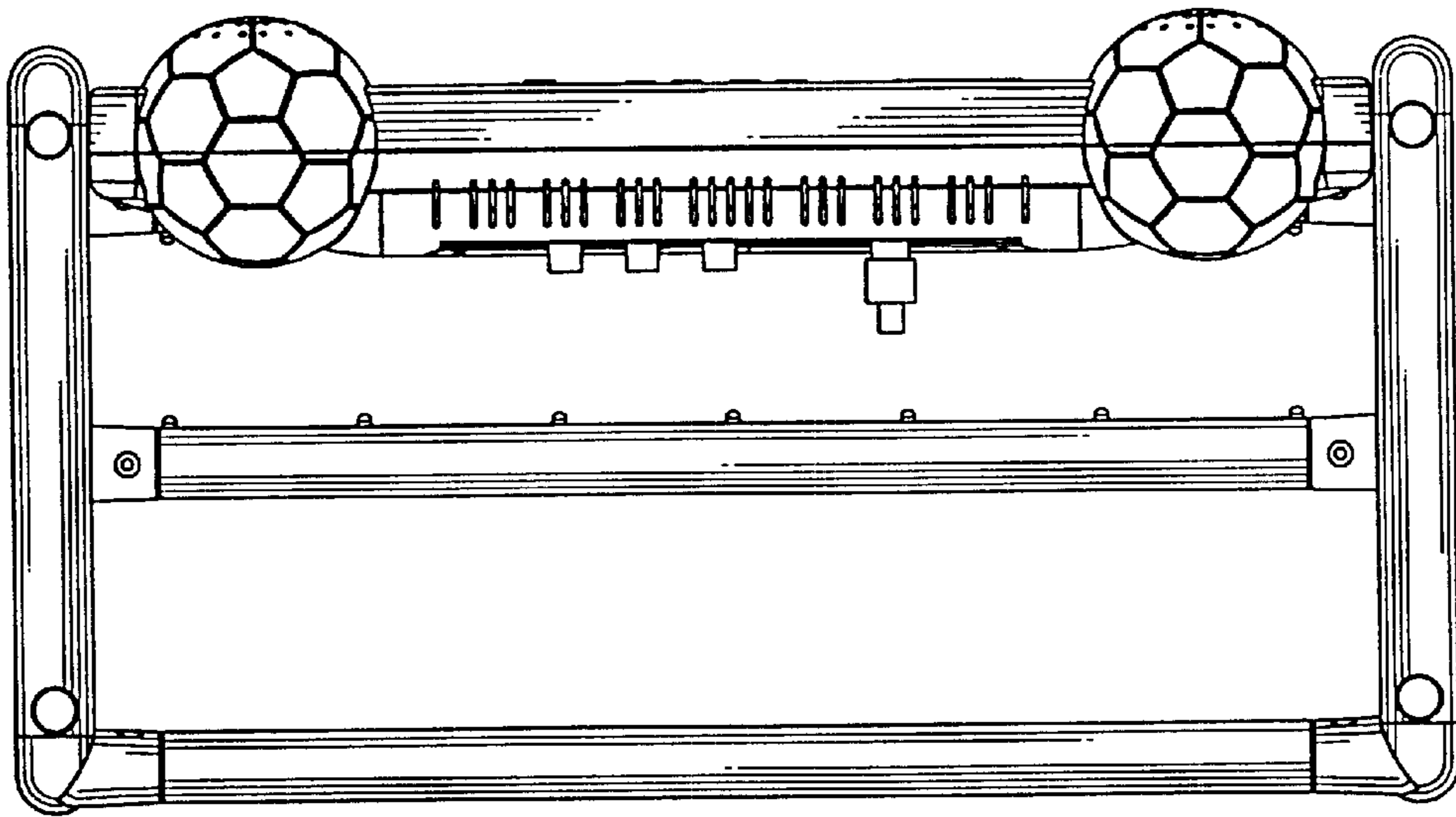


FIG. 5

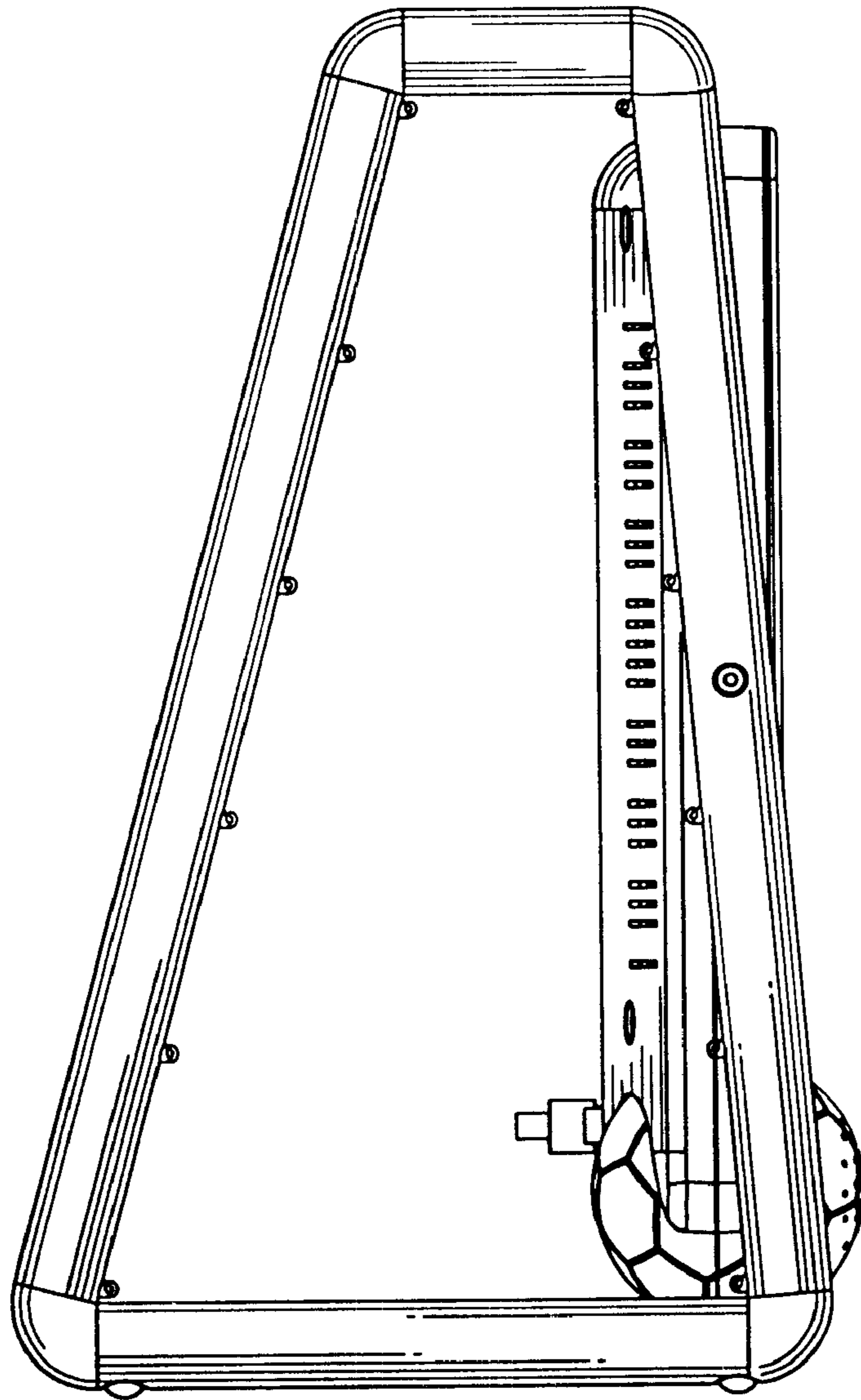


FIG. 6

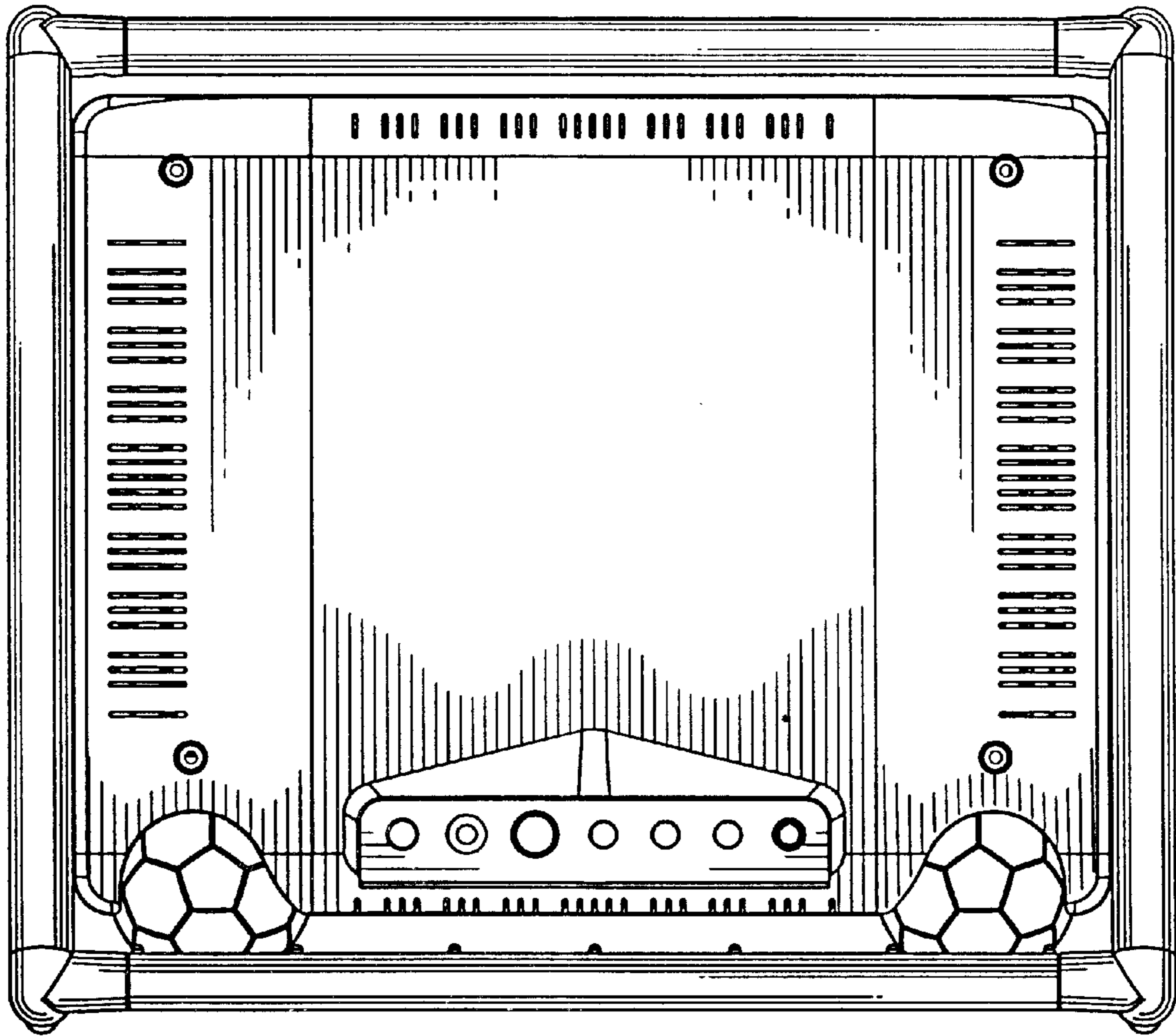


FIG. 7

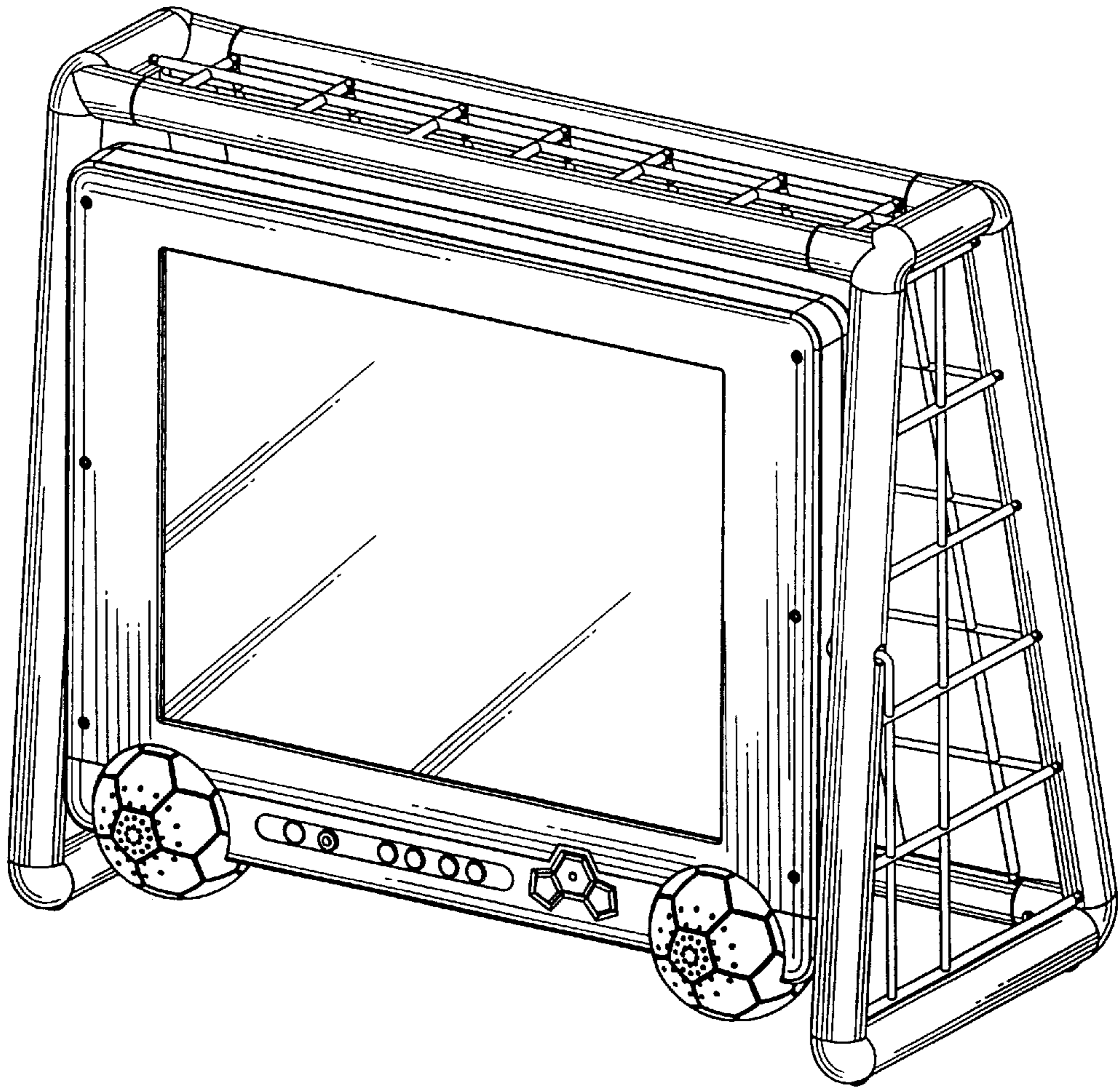


FIG. 8

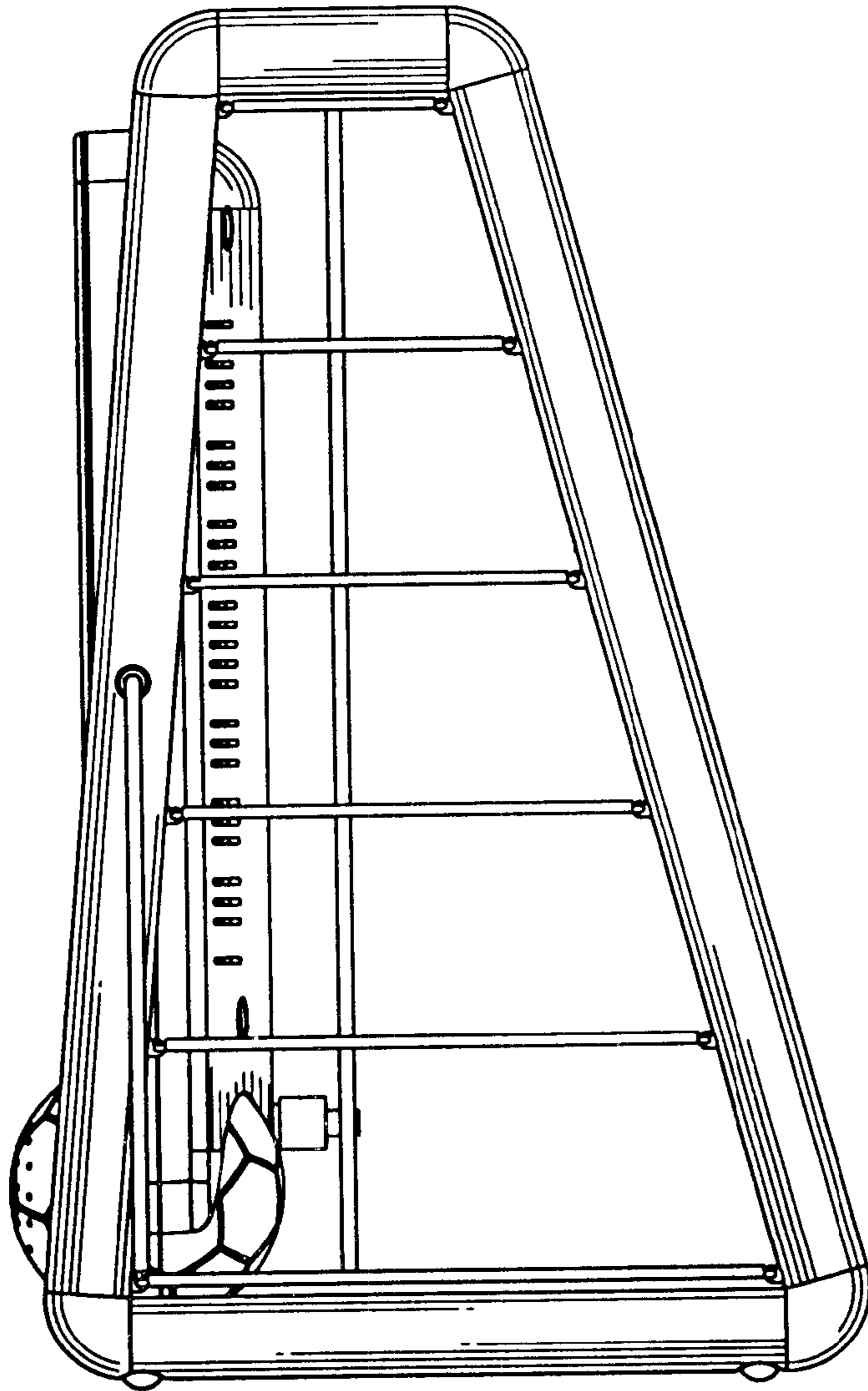


FIG. 9

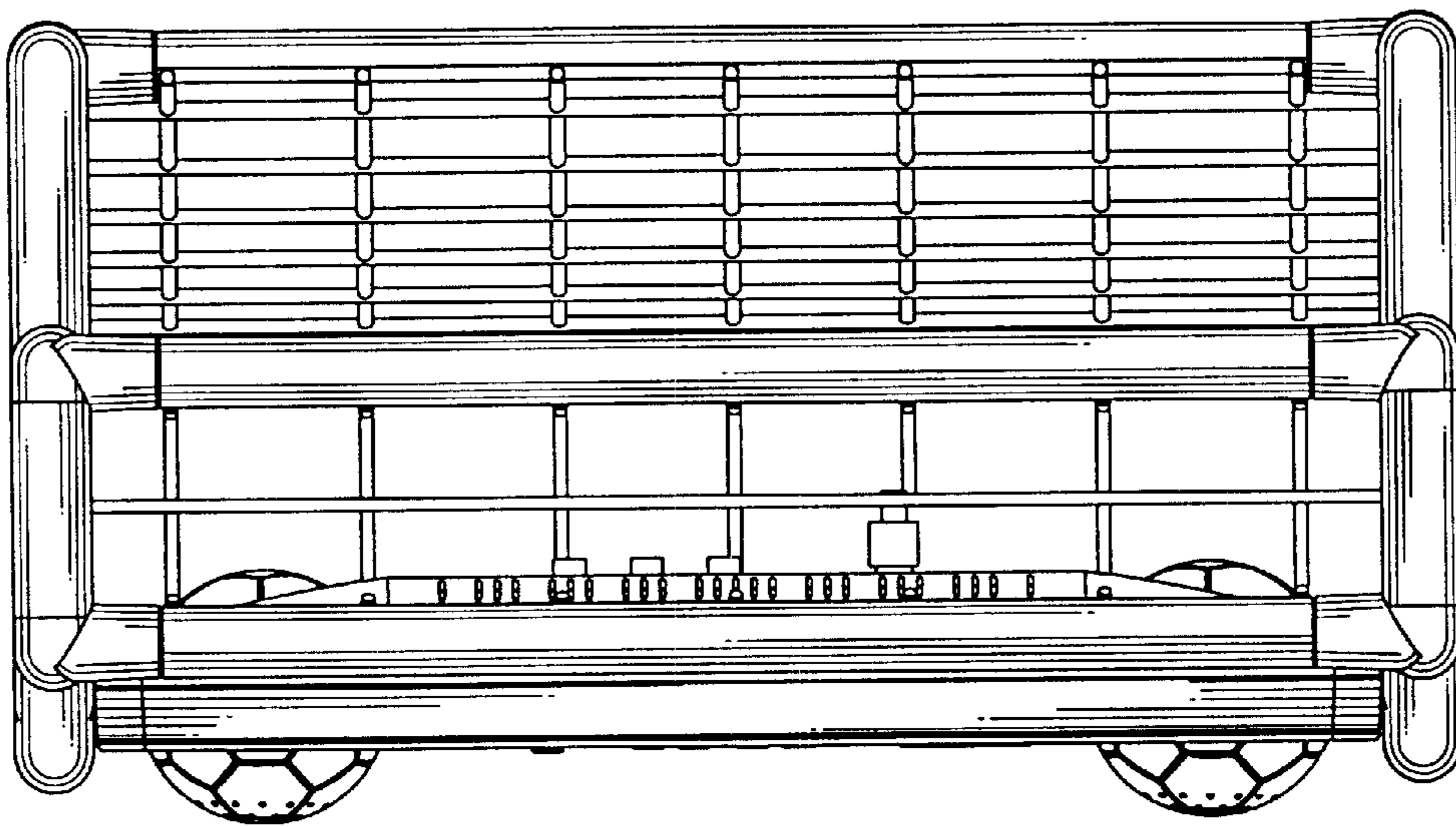


FIG. 10

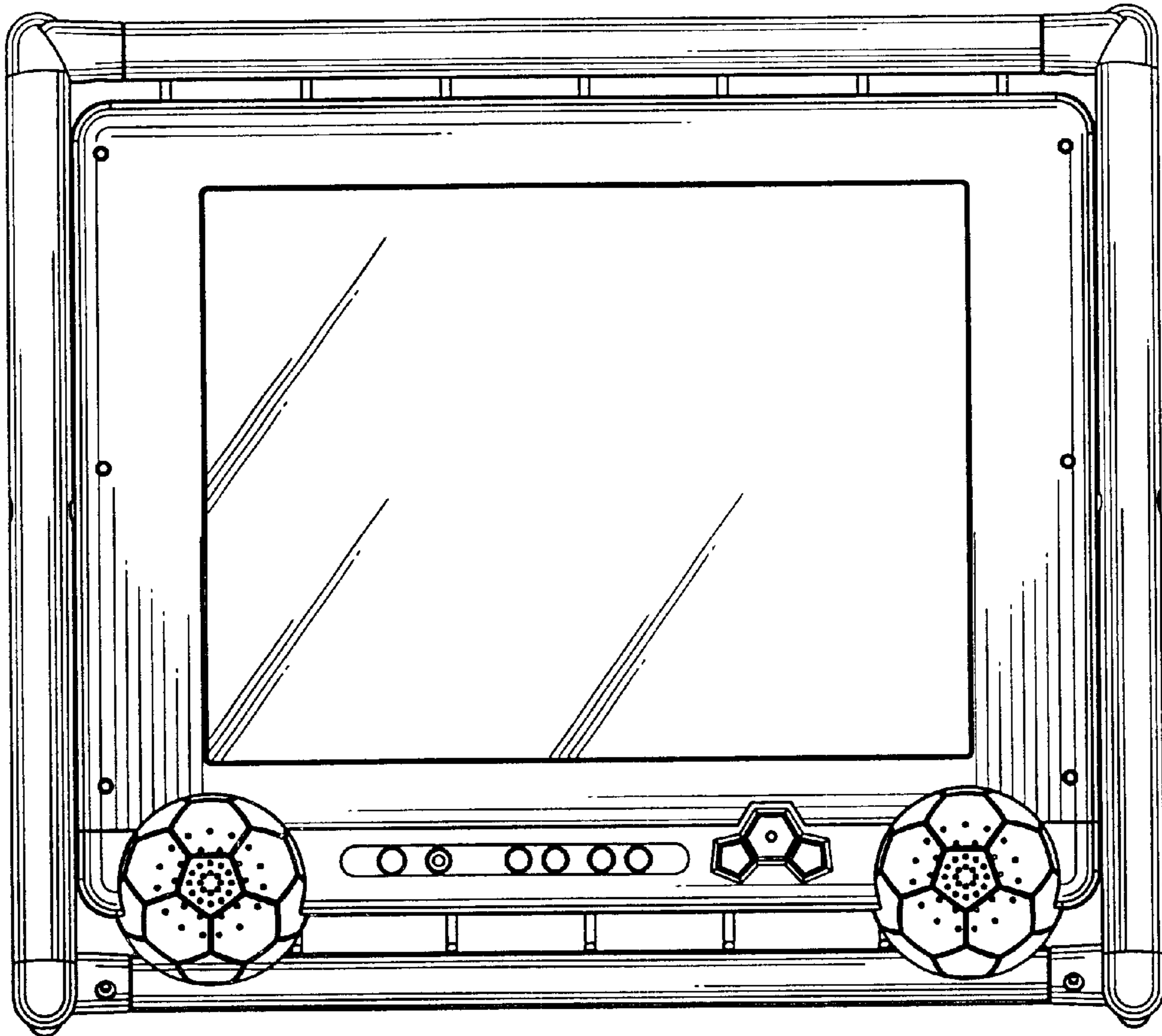


FIG. 11

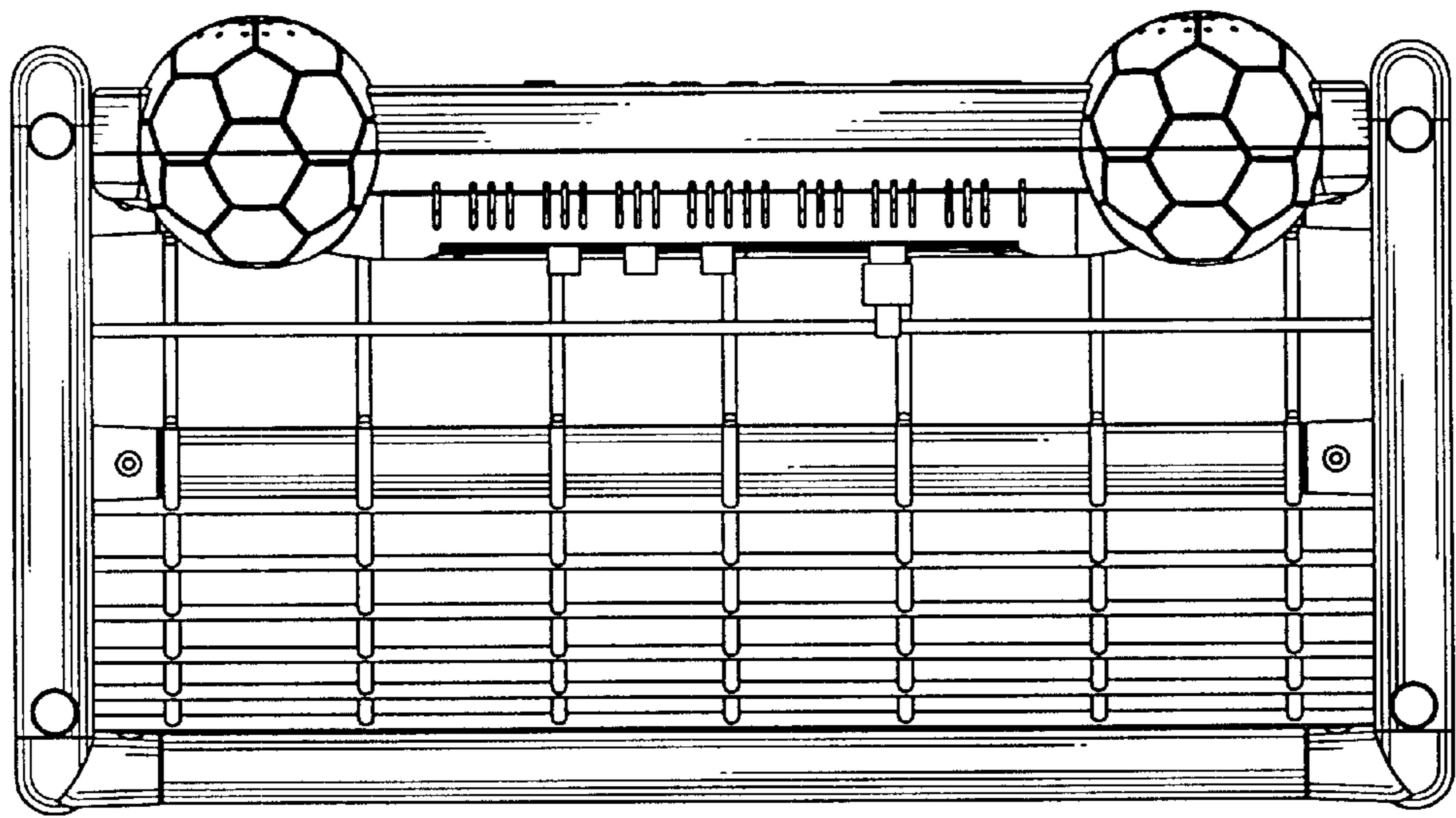


FIG. 12

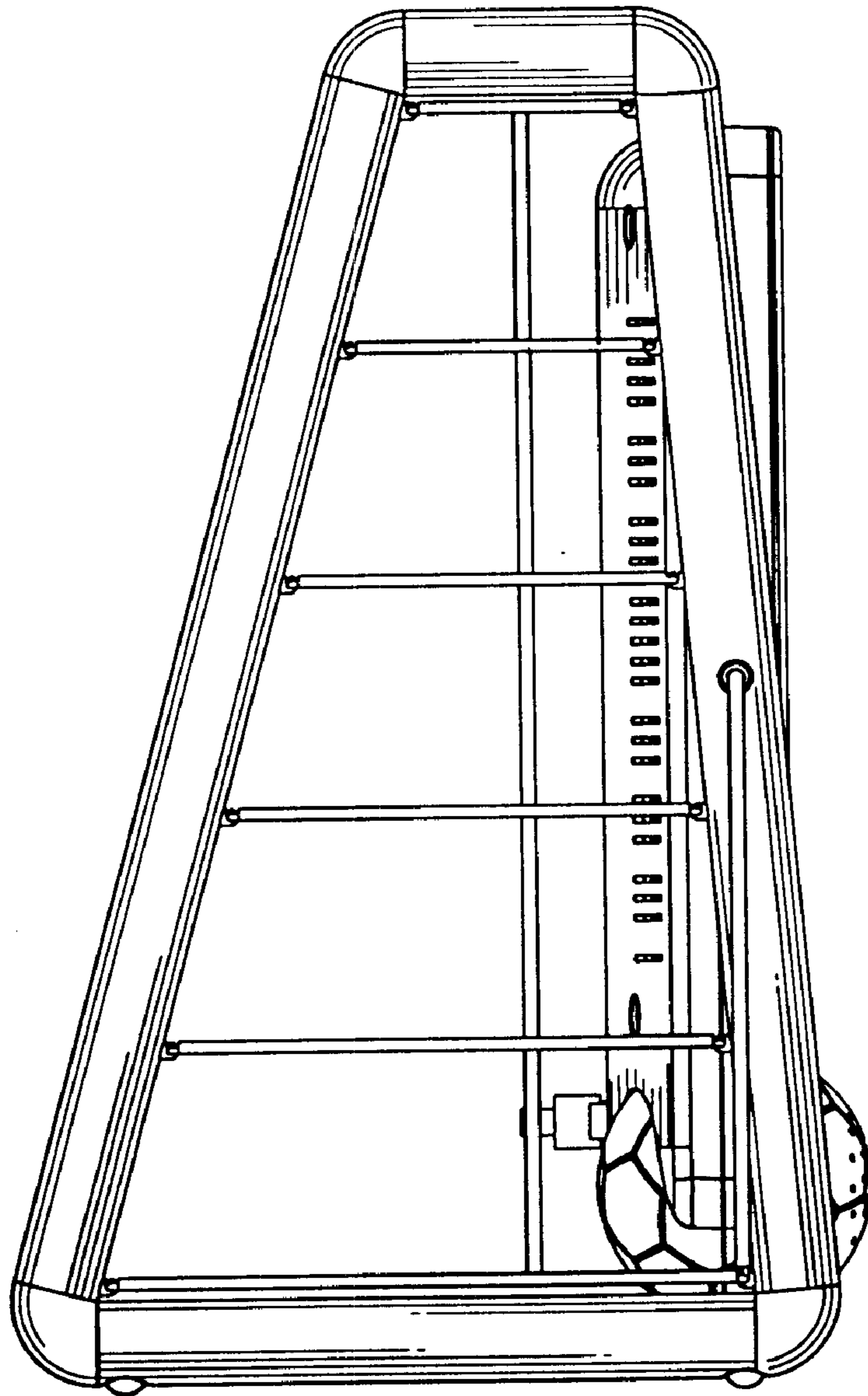


FIG. 13

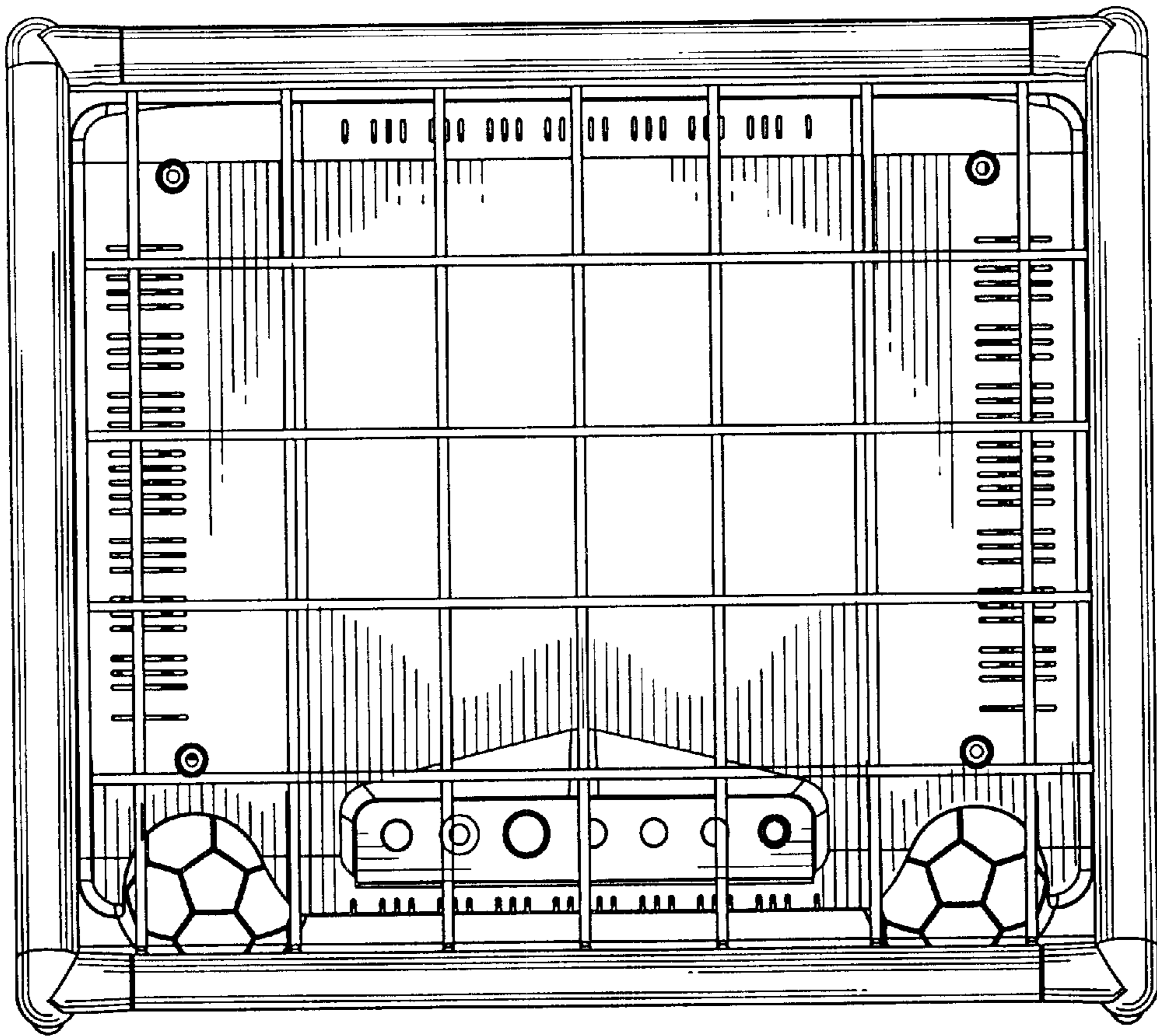


FIG. 14