



US00D473866S

(12) **United States Design Patent**  
**Zuege et al.**

(10) **Patent No.:** **US D473,866 S**

(45) **Date of Patent:** **\*\* Apr. 29, 2003**

(54) **DISPLAY**

5,674,075 A \* 10/1997 Sherman ..... 434/188  
D434,085 S \* 11/2000 Singer ..... D21/325

(75) Inventors: **Brad Zuege**, Taipei (TW); **Holger Hoehn**, Taipei (TW); **Marco Heusdens**, Taipei (TW); **Reinier Bloem**, Taipei (TW); **White Chu**, Taipei (TW)

**FOREIGN PATENT DOCUMENTS**

CA 2332582 \* 11/1999

\* cited by examiner

(73) Assignee: **HannStar Display Corp.**, Taipei (TW)

*Primary Examiner*—Freda Nunn

(\*\*) Term: **14 Years**

(74) *Attorney, Agent, or Firm*—Merchant & Gould; Tim Tingkang Xia

(21) Appl. No.: **29/160,817**

(57) **CLAIM**

(22) Filed: **May 15, 2002**

The ornamental design for a display, as shown and described.

(51) **LOC (7) Cl.** ..... **14-02**

**DESCRIPTION**

(52) **U.S. Cl.** ..... **D14/371**

(58) **Field of Search** ..... D14/125-129,  
D14/371; D19/59, 60, 62; D21/324, 325,  
329, 332, 515, 548; D20/42; 345/104, 156,  
168, 173; 434/188

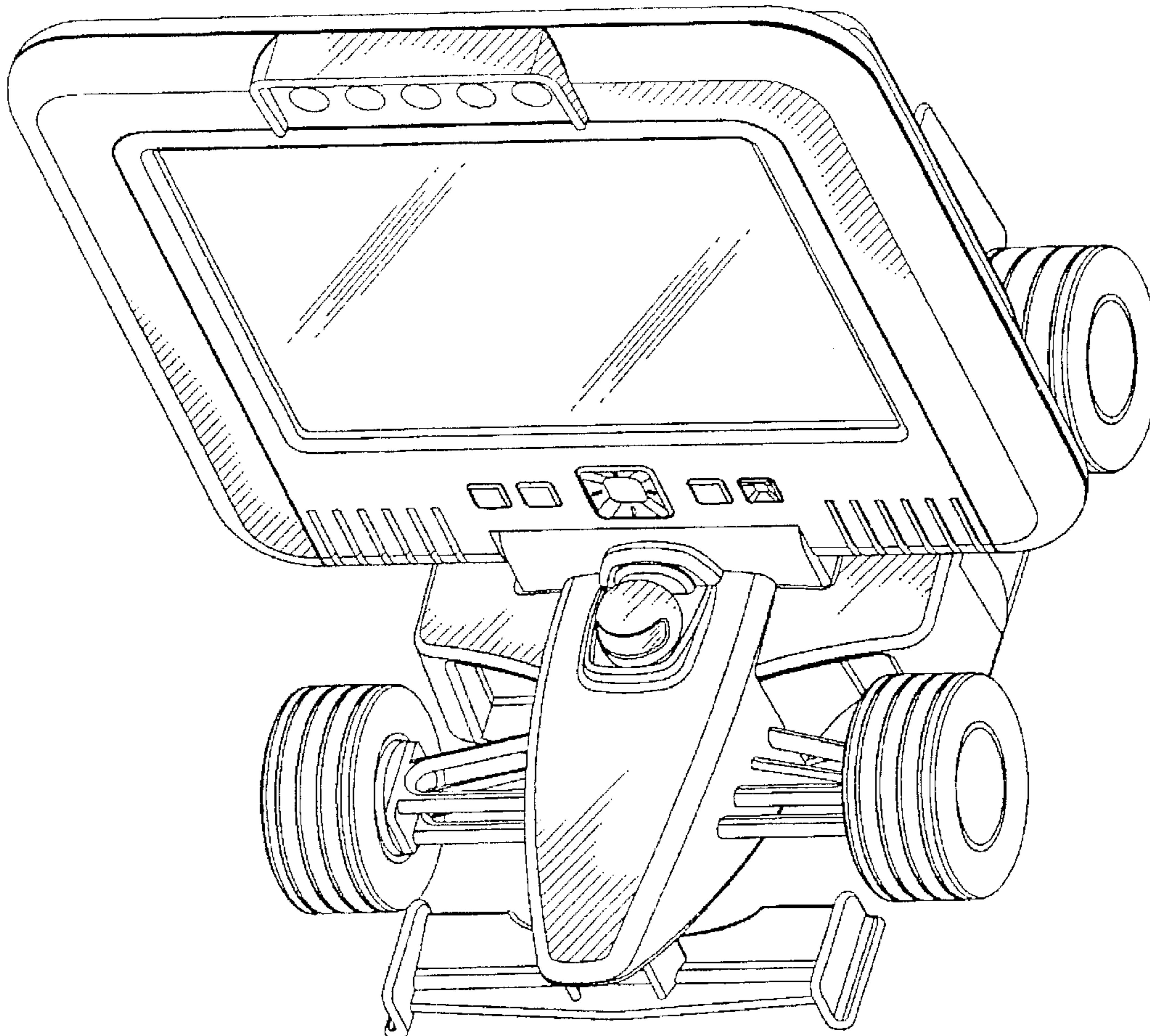
FIG. 1 is a front perspective view thereof;  
FIG. 2 is a left side elevational view thereof;  
FIG. 3 is a top plane view thereof;  
FIG. 4 is a front elevational view thereof;  
FIG. 5 is a bottom plane view thereof;  
FIG. 6 is a right side elevational view thereof; and,  
FIG. 7 is a rear elevational view wherein thereof.

(56) **References Cited**

**U.S. PATENT DOCUMENTS**

D232,570 S \* 8/1974 Kucera ..... D21/548

**1 Claim, 7 Drawing Sheets**



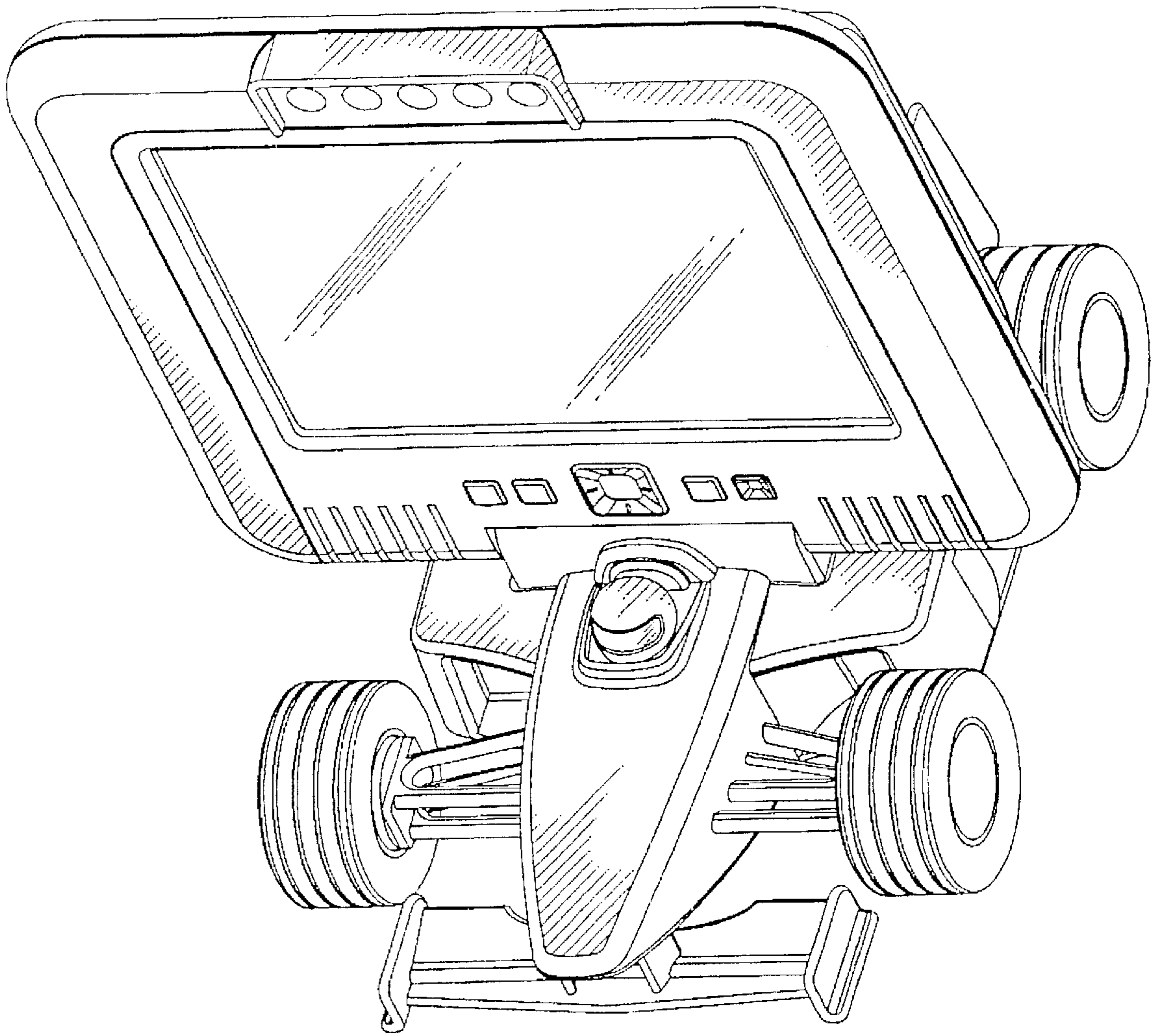


FIG. 1

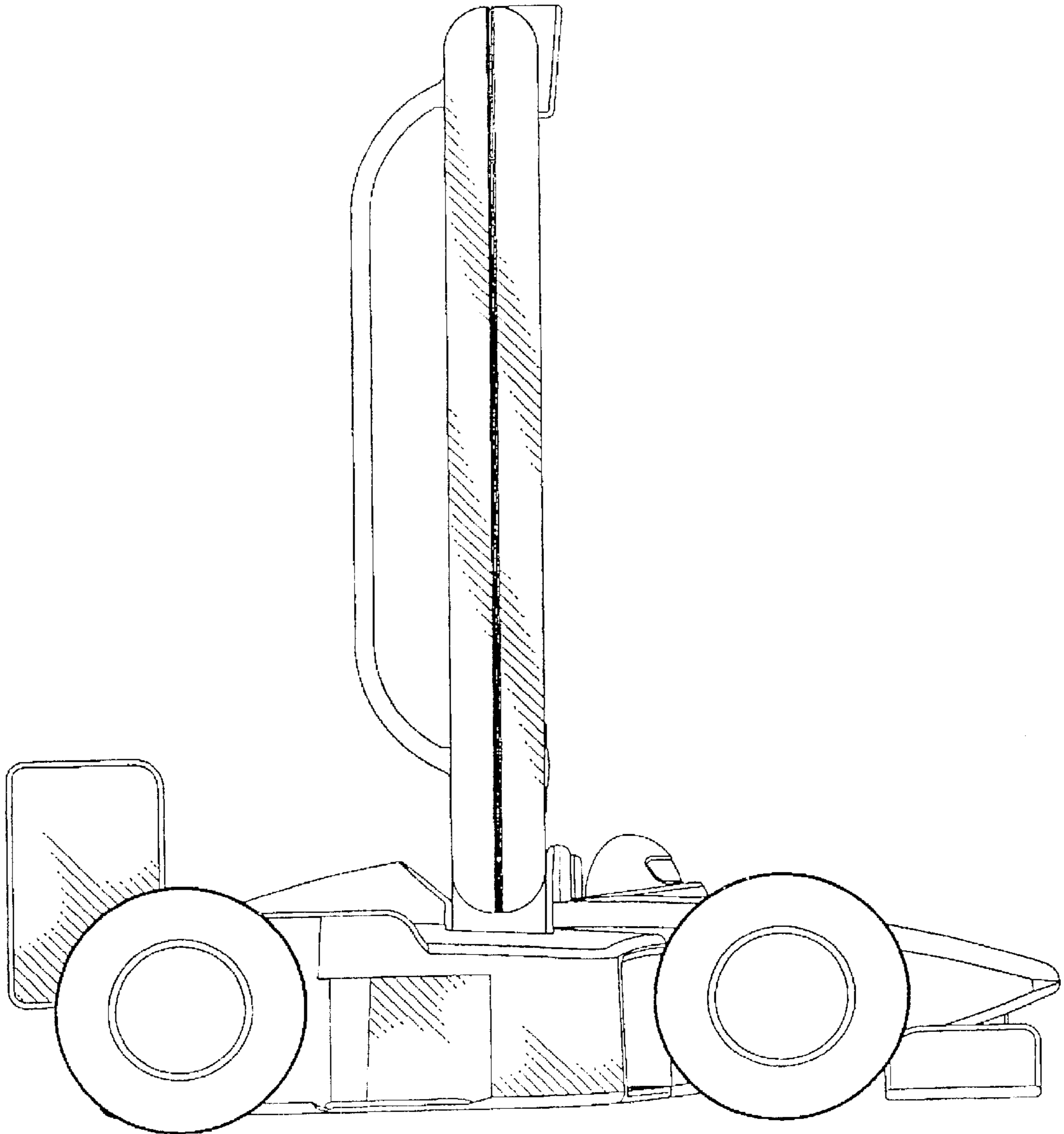


FIG. 2

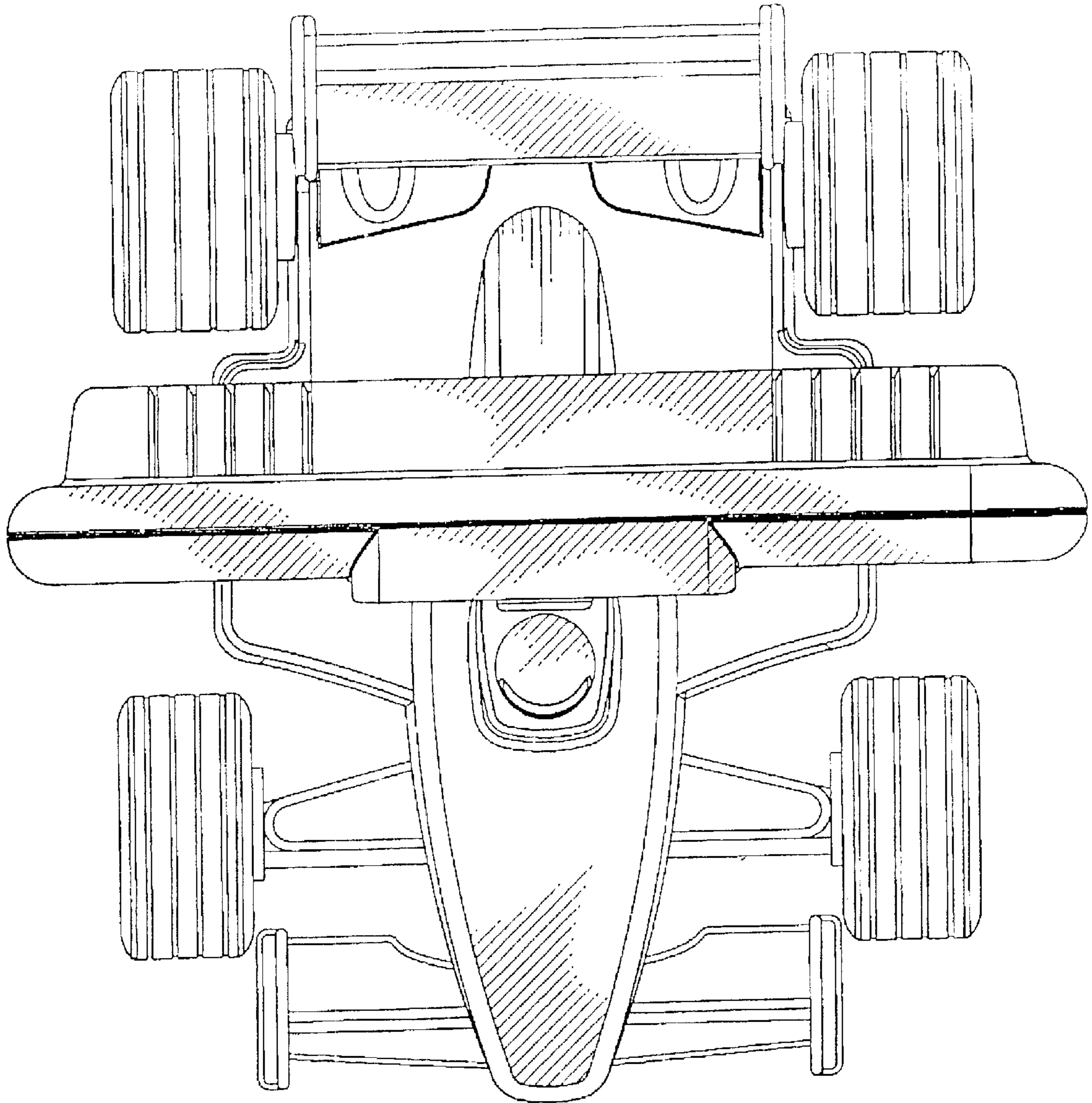


FIG. 3

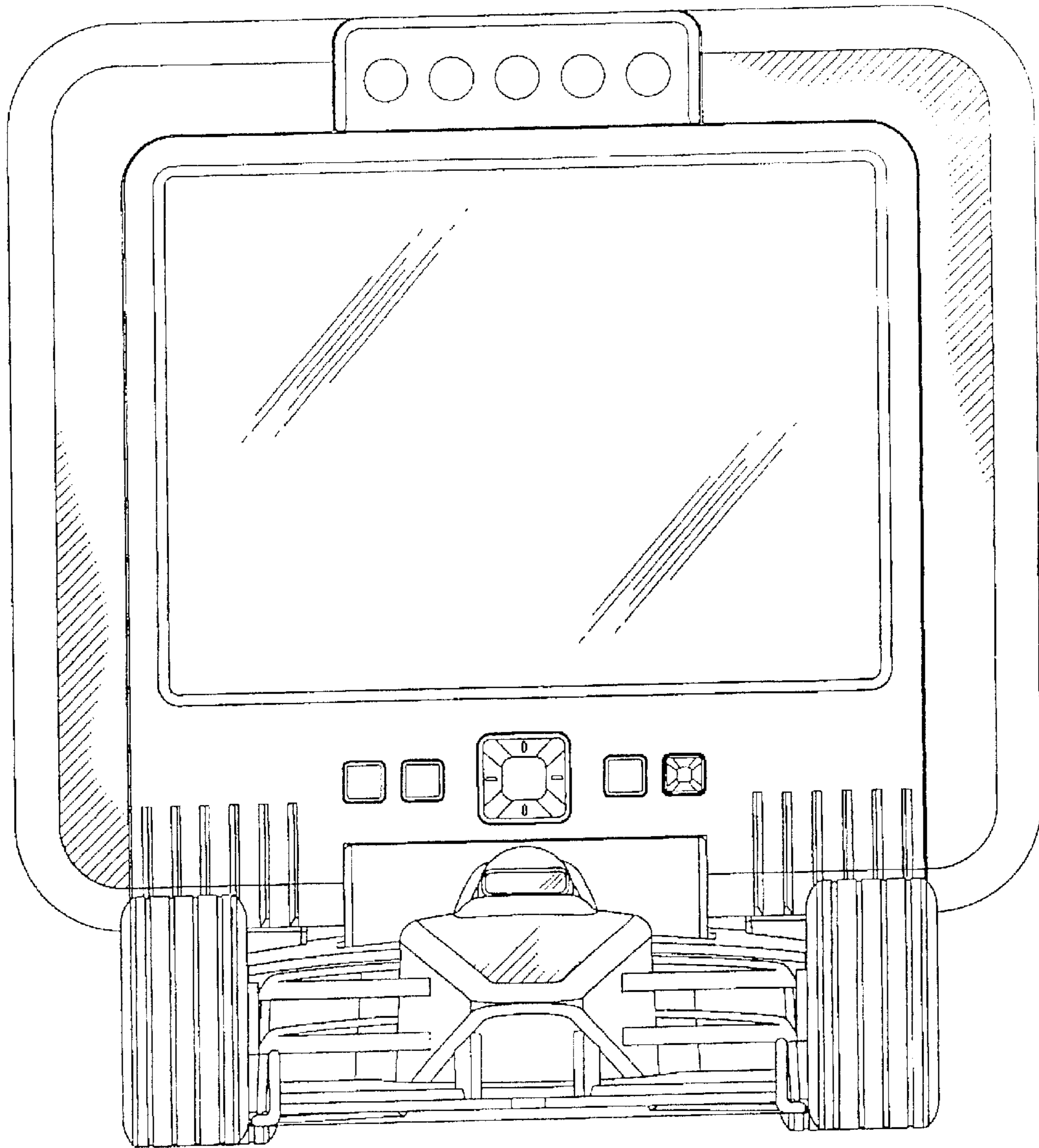


FIG. 4

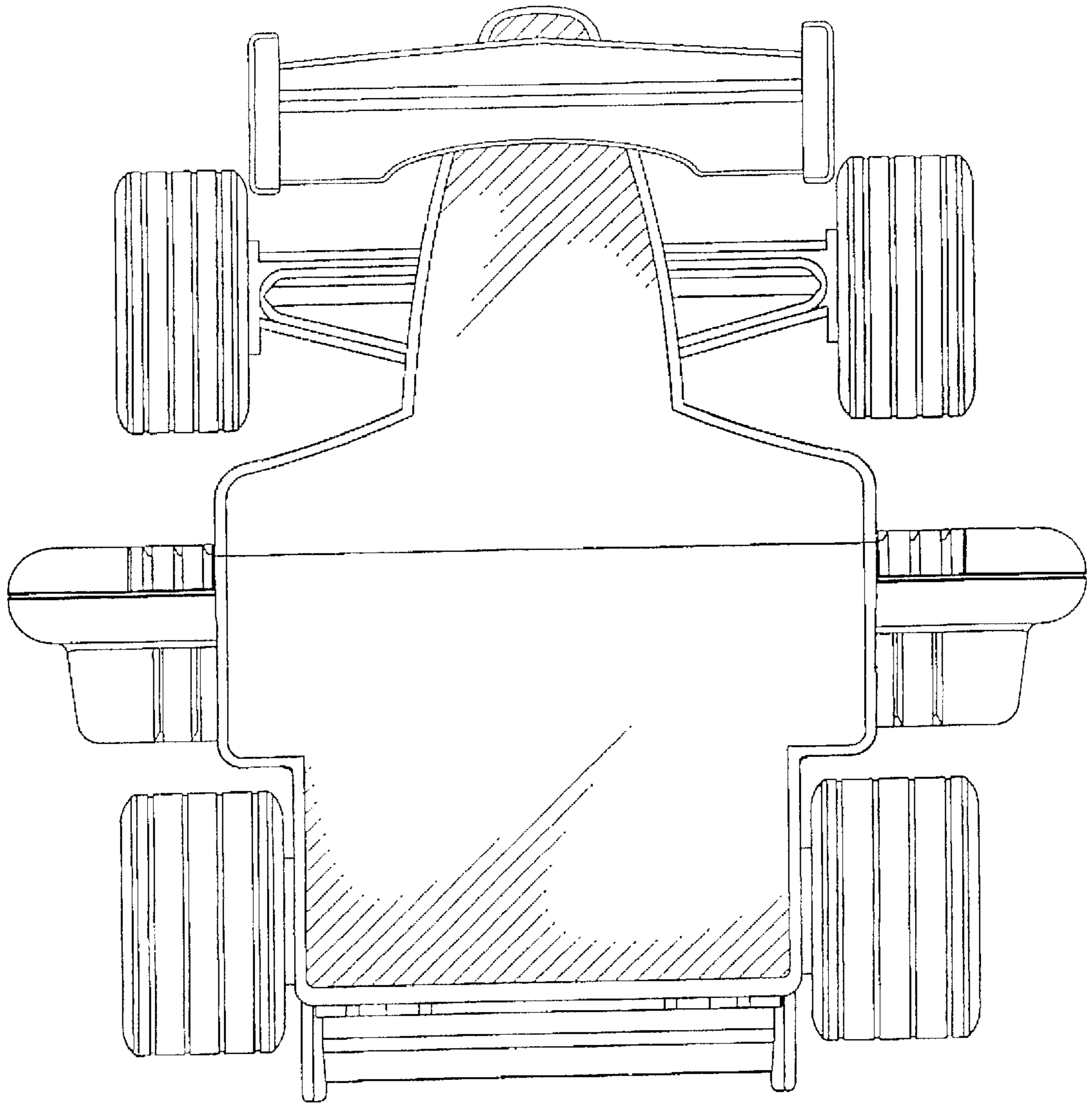


FIG. 5

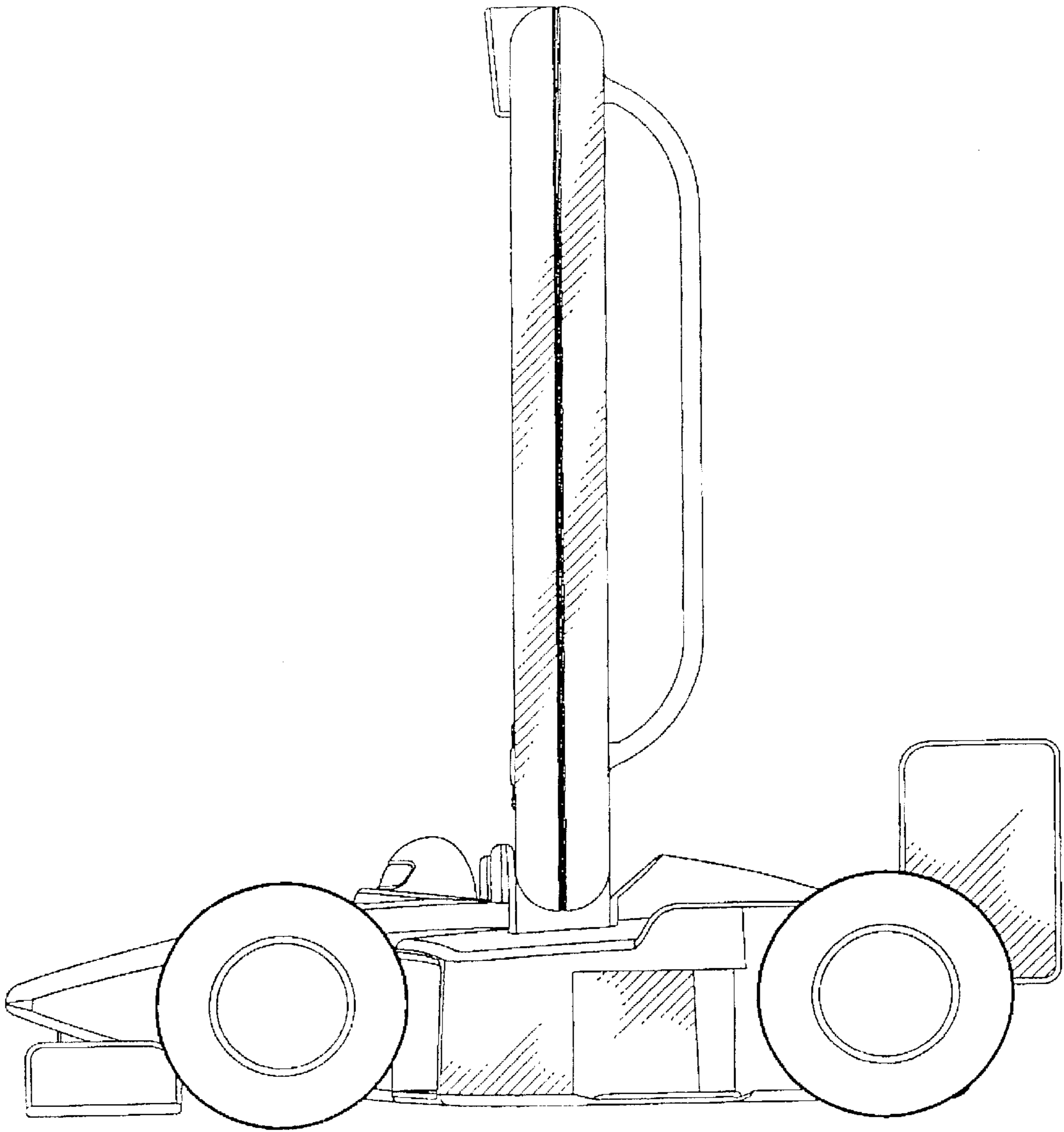


FIG. 6

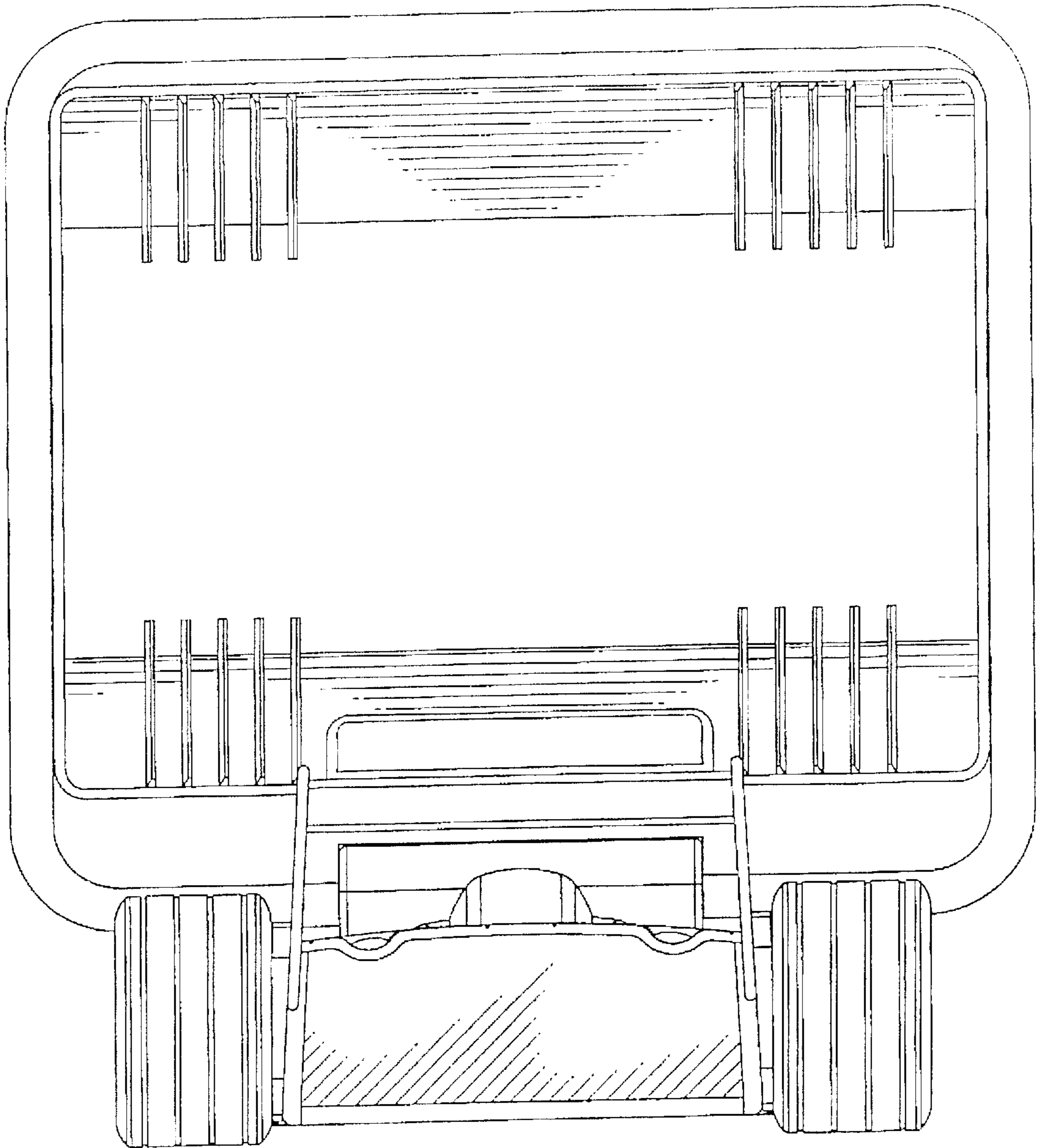


FIG. 7