



US00D473856S

(12) **United States Design Patent**
Bhavnani

(10) **Patent No.:** **US D473,856 S**

(45) **Date of Patent:** **** Apr. 29, 2003**

(54) **RADIO**

(75) **Inventor:** **Dilip K. Bhavnani**, Beverly Hills, CA (US)

(73) **Assignee:** **Sun Coast Merchandise Corporation**, Commerce, CA (US)

(**) **Term:** **14 Years**

(21) **Appl. No.:** **29/165,668**

(22) **Filed:** **Aug. 14, 2002**

(51) **LOC (7) Cl.** **14-03**

(52) **U.S. Cl.** **D14/197**

(58) **Field of Search** D14/156, 157,
D14/160-172, 188, 193-198; 455/344,
347-351

(56) **References Cited**

U.S. PATENT DOCUMENTS

2,521,423	A	*	9/1950	Stuck	455/347
4,639,225	A	*	1/1987	Washizuka	455/347
5,146,618	A	*	9/1992	Wenner	455/347
D344,729	S	*	3/1994	Mueller	D14/194
5,471,659	A	*	11/1995	Wong	455/347
D379,007	S	*	4/1997	Obata	D14/168

D381,983 S * 8/1997 Nagal D14/168

D385,562 S * 10/1997 Nijima et al. D14/188

D411,198 S * 6/1999 Kawase D14/197

D422,590 S * 4/2000 Kloss D14/194

D428,612 S * 7/2000 Scorrano D14/194

* cited by examiner

Primary Examiner—Prabhakar Deshmukh

(74) *Attorney, Agent, or Firm*—The Soni Law Firm; Michael Hoffman; Andrew Naglestad

(57) **CLAIM**

The ornamental design for a radio, as shown and described.

DESCRIPTION

FIG. 1 is a top front perspective view of the first embodiment of a radio;

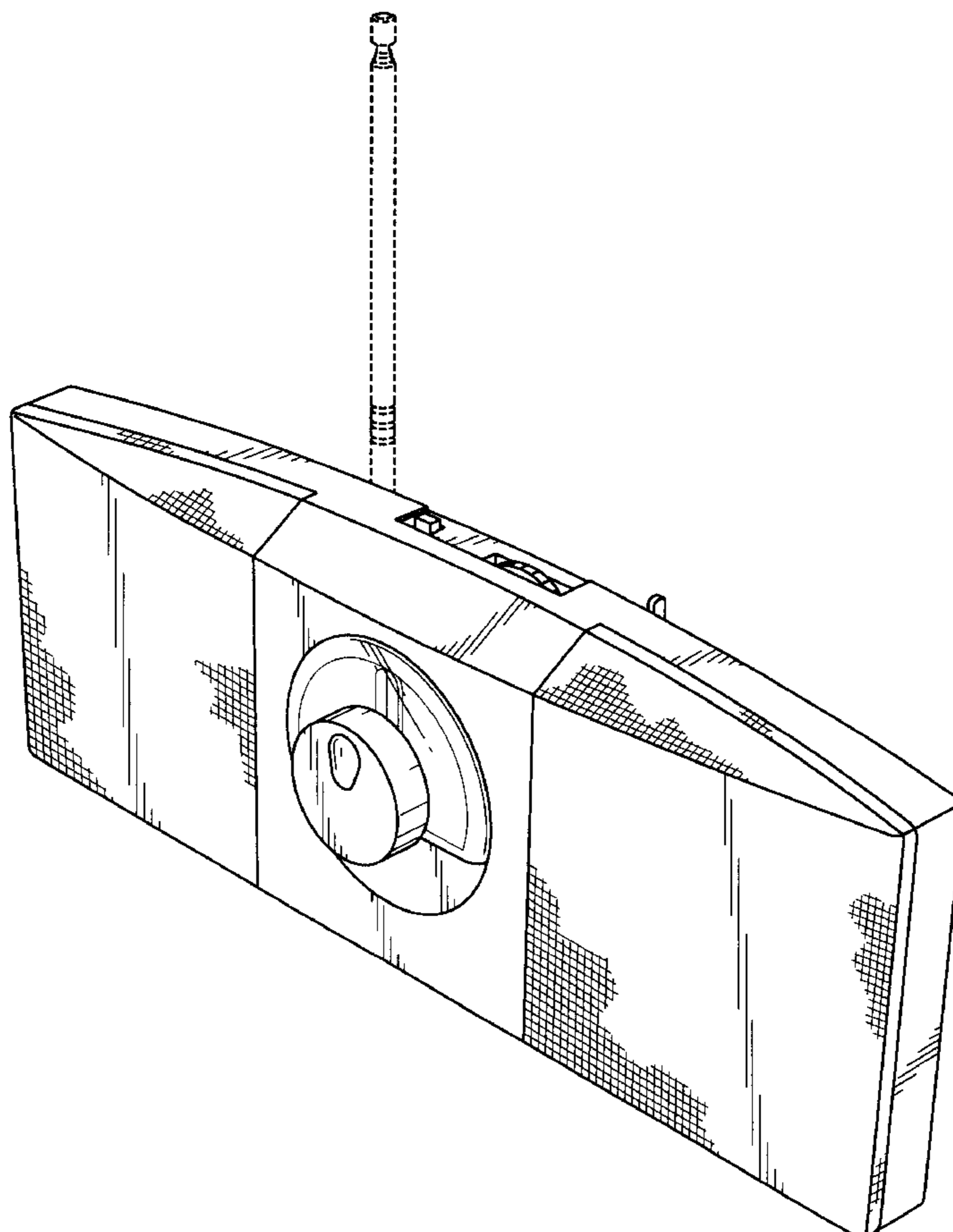
FIG. 2 is a bottom back perspective view of the radio illustrated in FIG. 1;

FIG. 3 is a right side elevational view of the radio illustrated in FIG. 1; and,

FIG. 4 is a left side elevational view of the radio illustrated in FIG. 1.

The broken lines representing the antenna in FIGS. 1 through 4 are for illustrative purposes and form no part of the claimed design.

1 Claim, 2 Drawing Sheets



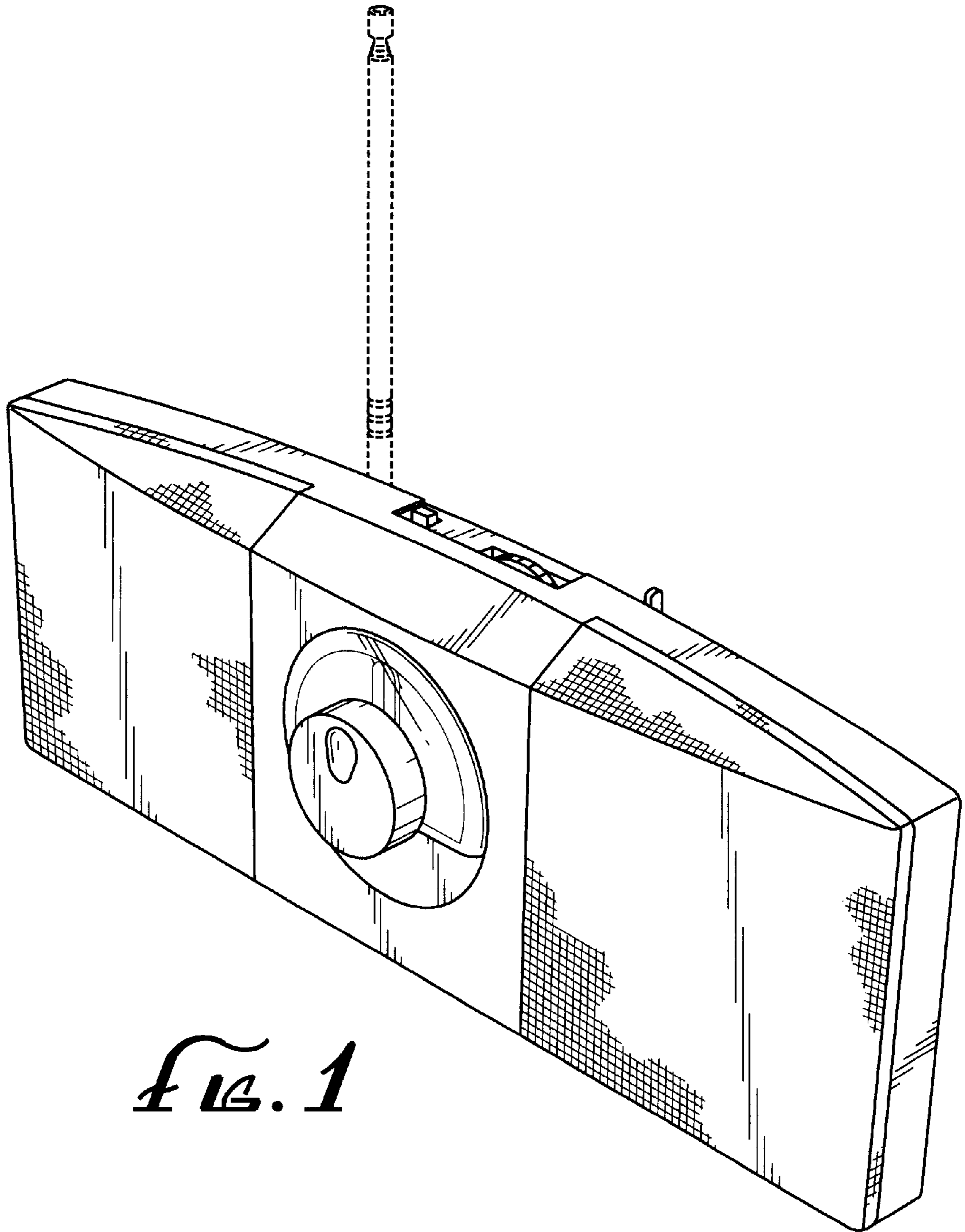


FIG. 1

FIG. 2

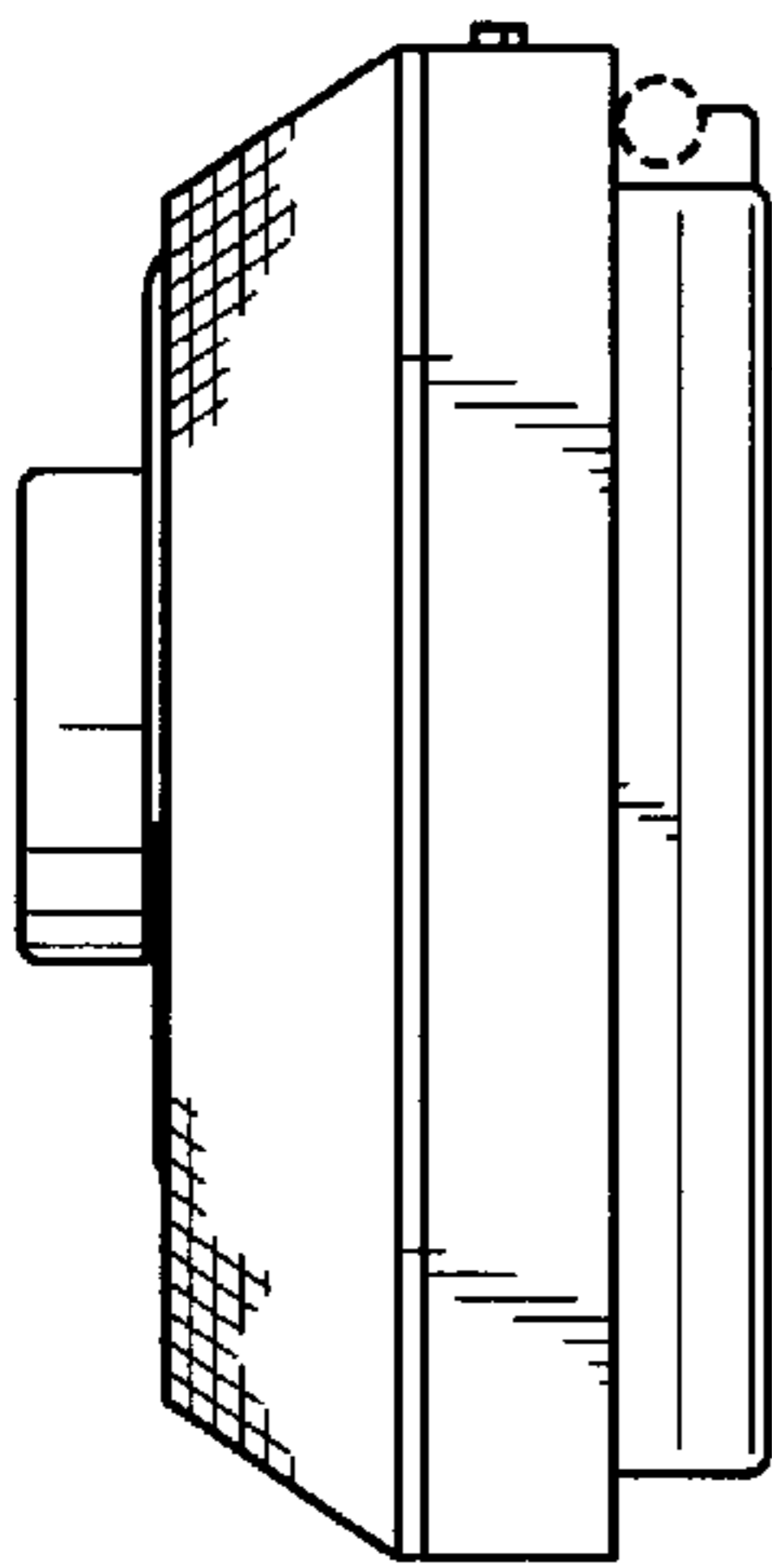
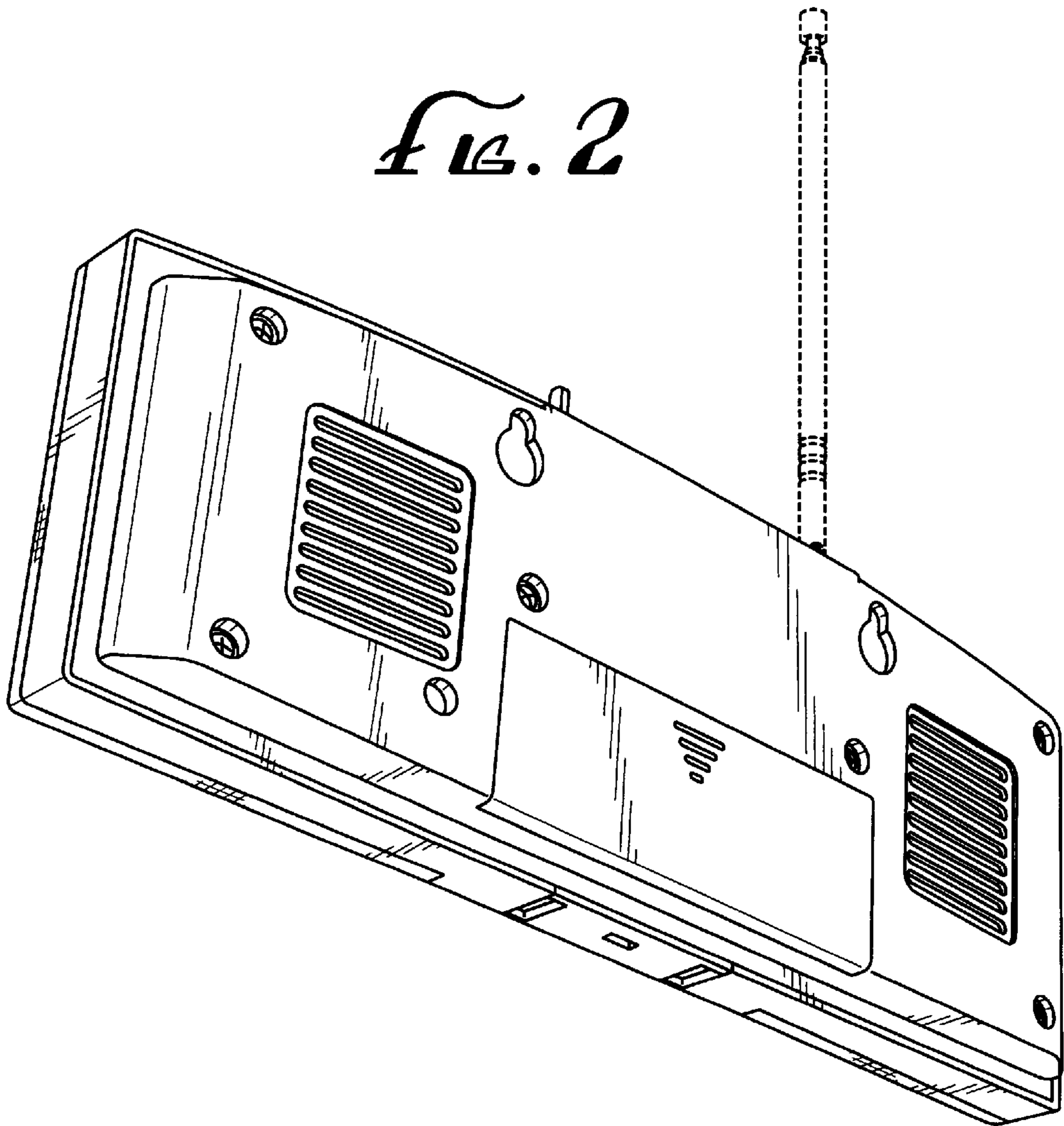


FIG. 3

FIG. 4

