



US00D473855S

(12) **United States Design Patent**
Escorcia et al.

(10) **Patent No.:** **US D473,855 S**

(45) **Date of Patent:** **** Apr. 29, 2003**

(54) **TOP COVER FOR A MOBILE RADIO**

(75) Inventors: **Yesenia V. Escorcia**, Plantation, FL (US); **Scott H. Richards**, Plantation, FL (US); **Andreas R. Haase**, Plantation, FL (US); **Adrian F. Rubio**, Coral Springs, FL (US); **David H. McClintock, III**, Davie, FL (US)

(73) Assignee: **Motorola, Inc.**, Schaumburg, IL (US)

(**) Term: **14 Years**

(21) Appl. No.: **29/165,383**

(22) Filed: **Aug. 9, 2002**

(51) **LOC (7) Cl.** **14-03**

(52) **U.S. Cl.** **D14/188**

(58) **Field of Search** D14/188, 193-198, D14/299; 455/344, 347, 348, 350, 351, 79, 90, 575

(56) **References Cited**

U.S. PATENT DOCUMENTS

D259,787 S	7/1981	Nagele	
4,310,923 A *	1/1982	Kennedy	455/575
D277,667 S	2/1985	Zurawski	
D279,290 S *	6/1985	Nagele	D14/139
D298,133 S	10/1988	Tokiyama et al.	
D300,632 S	4/1989	Culbertson	
D307,906 S	5/1990	Beaumont	

D308,057 S	5/1990	Tokiyama	
D329,849 S	9/1992	Tokiyama et al.	
5,285,500 A *	2/1994	Mantz	455/346
D368,472 S	4/1996	Robertson et al.	
D391,255 S	2/1998	Lindeman	
D415,493 S *	10/1999	Shieber	D14/188
D416,903 S *	11/1999	Kizawa	D14/188
D422,589 S *	4/2000	Jeon	D14/188
D431,033 S *	9/2000	Takahashi et al.	D14/188
D431,816 S *	10/2000	Beaumont et al.	D14/188
D446,204 S *	8/2001	Smith	D14/188

* cited by examiner

Primary Examiner—Prabhakar Deshmukh

(74) *Attorney, Agent, or Firm*—Barbara R. Doutre

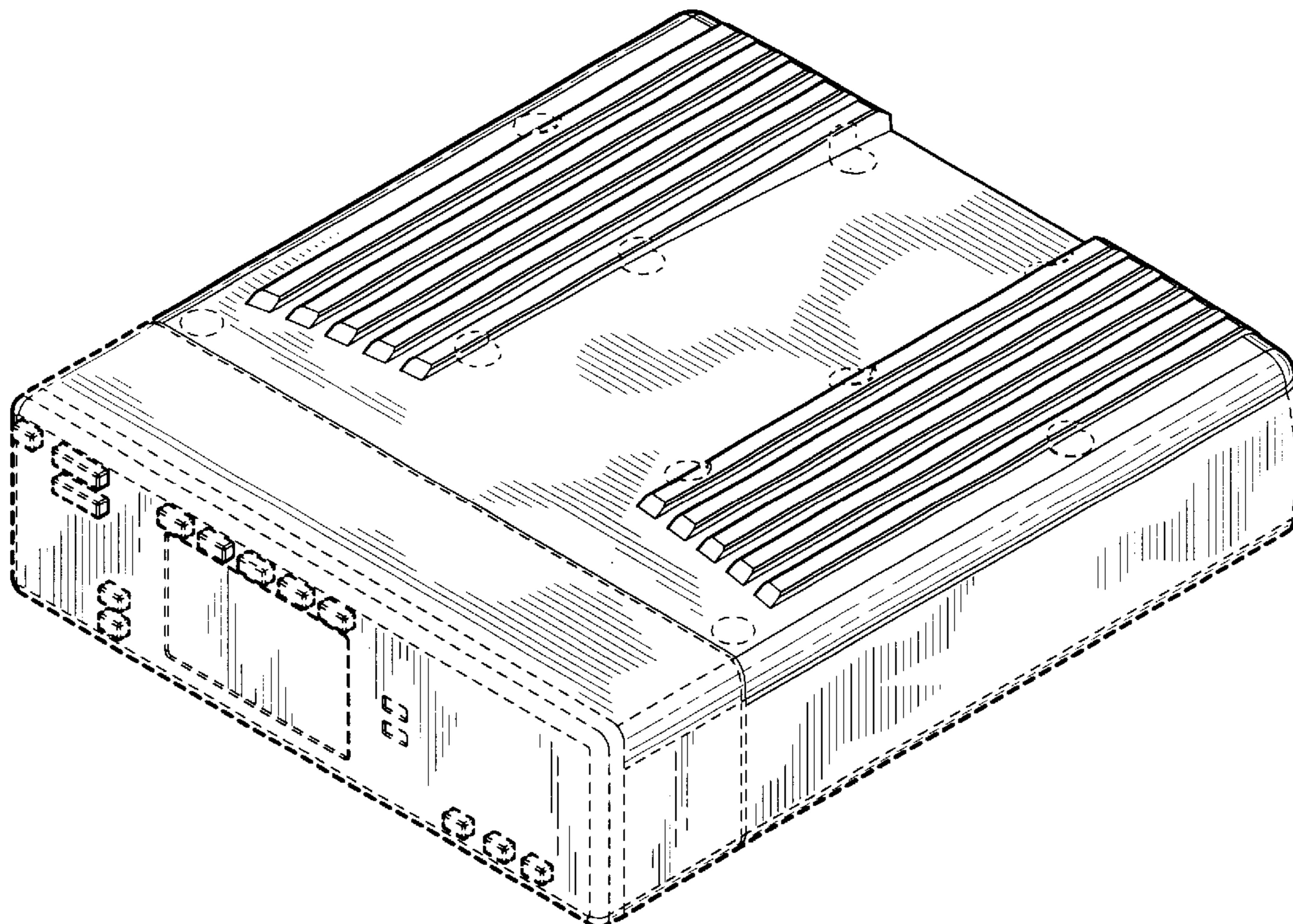
(57) **CLAIM**

The ornamental design for a top cover for a mobile radio, as shown and described.

DESCRIPTION

FIG. 1 is a front, top, and right side perspective view of a top cover for a mobile radio showing our new design; FIG. 2 is a right-side elevational view thereof, the left side being a mirror image; FIG. 3 is a rear elevational view thereof; and, FIG. 4 is a top plan view thereof. The broken lines showing the top cover for a mobile radio portion of FIGS. 1, 2, 3, and 4 are for illustrative purposes only and form no part of the claimed design.

1 Claim, 3 Drawing Sheets



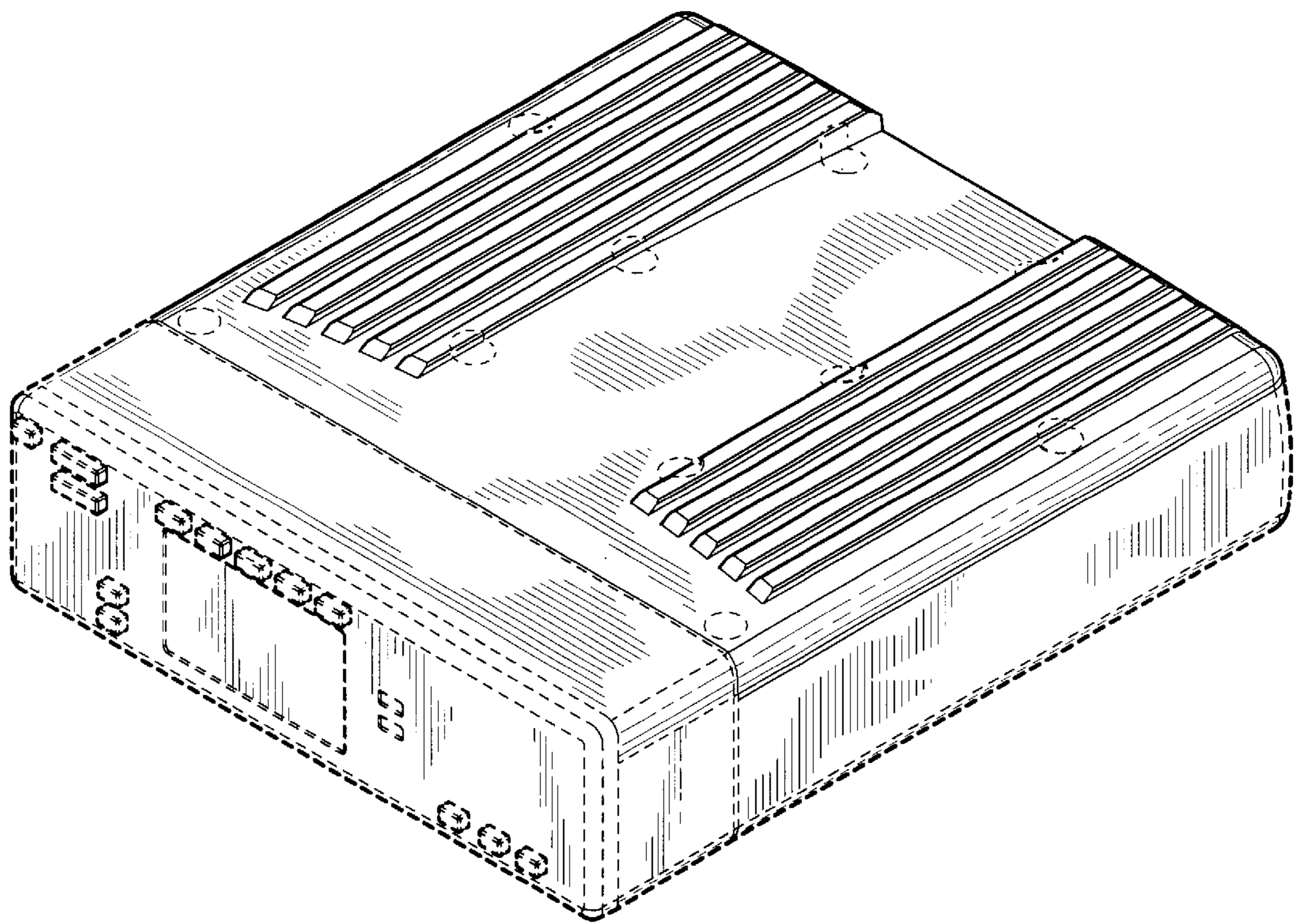


FIG. 1

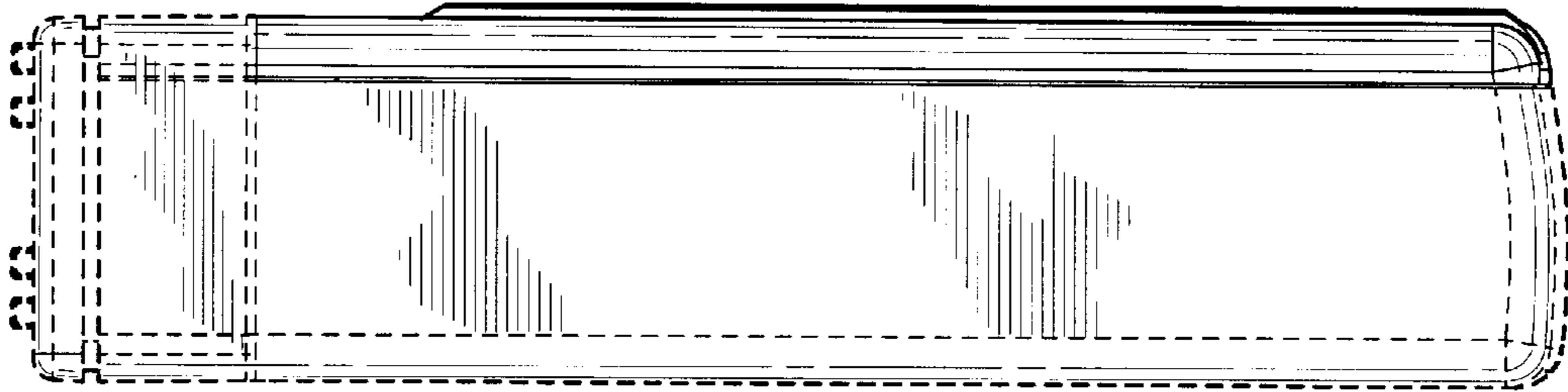


FIG. 2

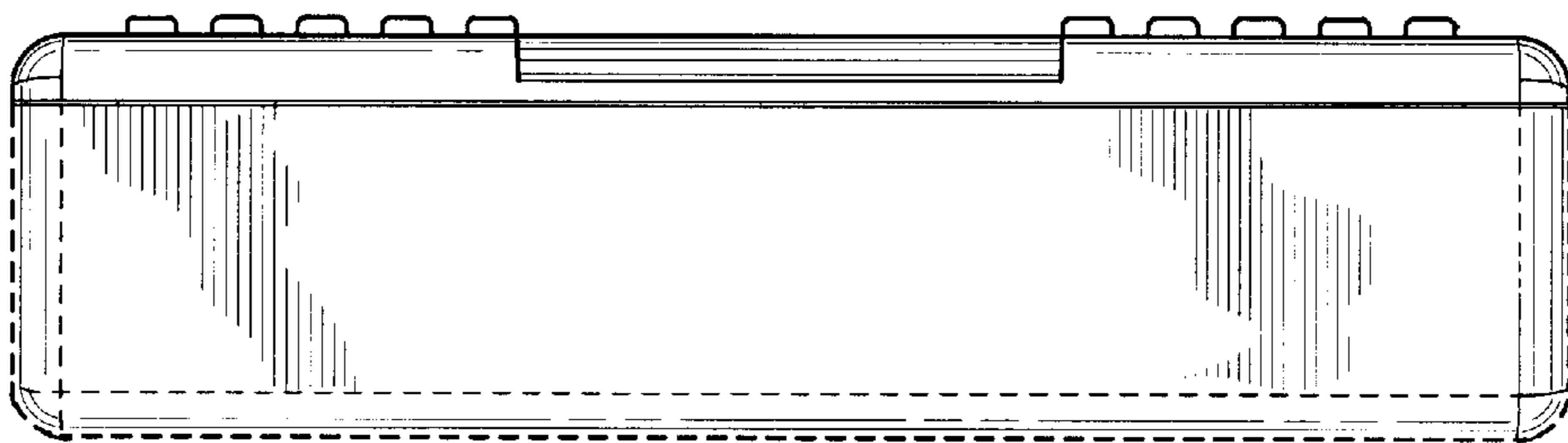


FIG. 3

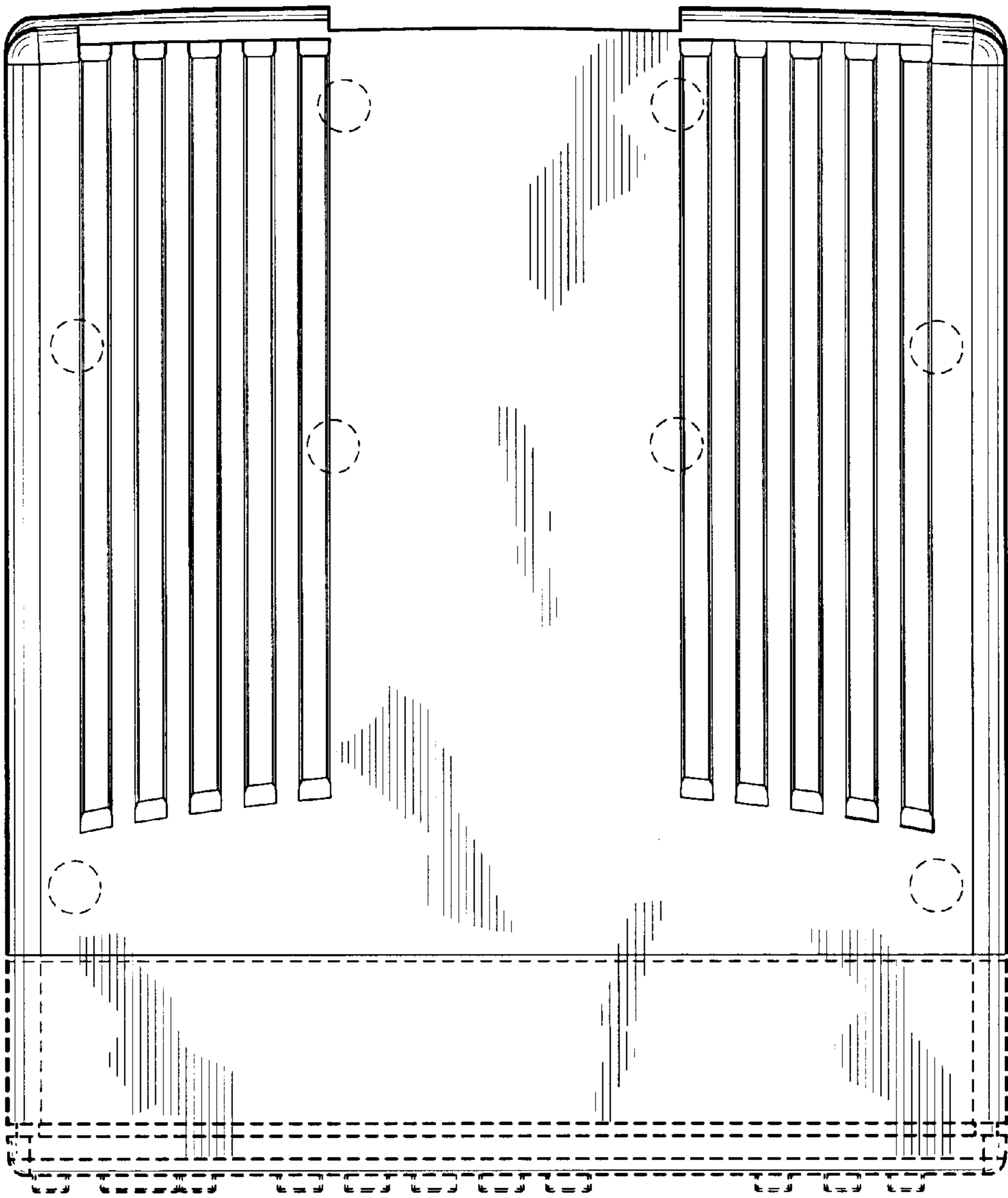


FIG. 4